

US00D681866S

(12) **United States Design Patent**
Lin et al.

(10) **Patent No.:** **US D681,866 S**

(45) **Date of Patent:** **** May 7, 2013**

(54) **LED LAMP COVER**

(75) Inventors: **Chu-Keng Lin**, Miao-Li (TW);
Sung-Hsiang Yang, Miao-Li (TW);
Wei-Chun Yeh, Miao-Li (TW)

(73) Assignee: **Foxsemicon Integrated Technology, Inc.**, Chu-Nan, Miao-Li Hsien (TW)

(**) Term: **14 Years**

(21) Appl. No.: **29/427,754**

(22) Filed: **Jul. 23, 2012**

(51) **LOC (9) Cl.** **26-99**

(52) **U.S. Cl.**
USPC **D26/120**

(58) **Field of Classification Search** D26/142,
D26/118, 119, 113, 128, 129, 140, 141, 136,
D26/135, 145, 155, 154, 130, 63, 62, 64,
D26/65, 66, 67, 68, 69, 1, 2, 3, 88, 89, 24,
D26/25, 26, 72, 74, 75, 76, 78, 77, 82, 84,
D26/85, 93, 123, 124, 125; D13/179, 180;
362/393, 145, 396, 194, 195, 196, 362, 326,
362/149, 147, 146, 148, 234, 249.01–249.12,
362/295, 373

See application file for complete search history.

(56) **References Cited**

U.S. PATENT DOCUMENTS

D440,513 S * 4/2001 Smith D10/114.3
D512,790 S * 12/2005 Handsaker et al. D26/28
D562,272 S * 2/2008 Su et al. D13/180
D565,515 S * 4/2008 Chen D13/180
D575,246 S * 8/2008 Fuwa et al. D13/180
D578,492 S * 10/2008 Xu D13/180
D591,247 S * 4/2009 Miyashita et al. D13/180
D597,040 S * 7/2009 Hakata D13/180
7,566,147 B2 * 7/2009 Wilcox et al. 362/249.02
D601,280 S * 9/2009 Hsu D26/3

D618,630 S * 6/2010 Wei et al. D13/179
D621,796 S * 8/2010 Hu et al. D13/179
D622,229 S * 8/2010 Yan et al. D13/179
D622,230 S * 8/2010 Yan et al. D13/179
D623,781 S * 9/2010 Uemoto et al. D26/24
D627,672 S * 11/2010 Shin D10/114.1
D627,921 S * 11/2010 Chen D26/138
D628,540 S * 12/2010 Tsou D13/180
D629,961 S * 12/2010 Little et al. D26/120
D629,963 S * 12/2010 Little et al. D26/138
D636,900 S * 4/2011 Chou et al. D26/1
D656,106 S * 3/2012 Hsu D13/180
D666,348 S * 8/2012 Wang D26/71
D667,385 S * 9/2012 Lin D13/180
D668,624 S * 10/2012 Ko D13/180
2005/0190553 A1 * 9/2005 Lynch et al. 362/227
2006/0092637 A1 * 5/2006 Yeh 362/249
2011/0110110 A1 * 5/2011 Huang et al. 362/410
2012/0092879 A1 * 4/2012 Chang 362/374

* cited by examiner

Primary Examiner — Kevin Rudzinski

(74) *Attorney, Agent, or Firm* — Altis Law Group, Inc.

(57) **CLAIM**

The ornamental design for an LED lamp cover, as shown and described.

DESCRIPTION

FIG. 1 is a perspective view of an LED lamp cover showing my new design.

FIG. 2 is a front elevational view thereof.

FIG. 3 is a rear elevational view thereof.

FIG. 4 is a left side elevational view thereof.

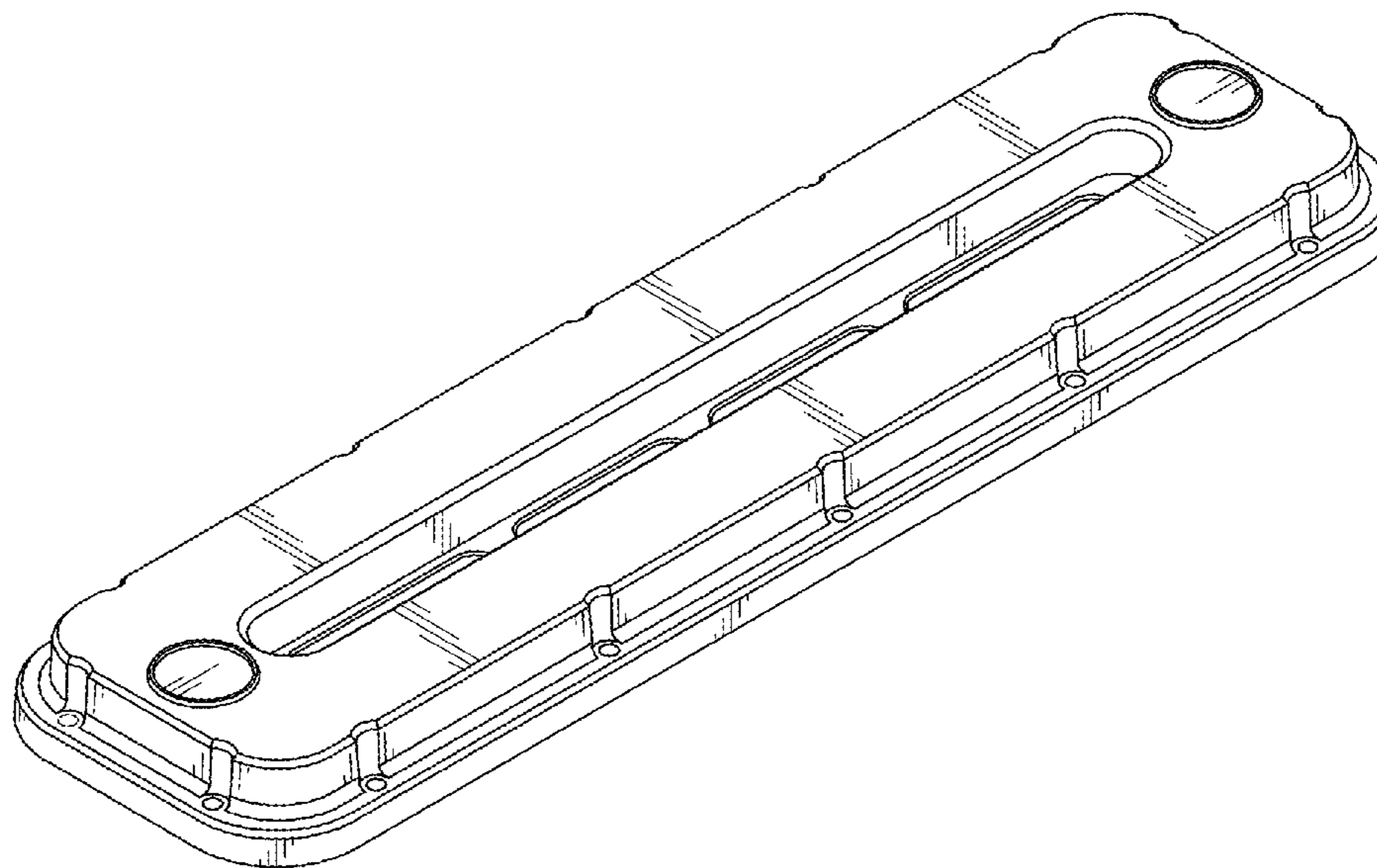
FIG. 5 is a right side elevational view thereof.

FIG. 6 is a top plan view thereof; and,

FIG. 7 is a bottom plan view thereof.

The broken line illustration of an LED lamp illustrates environmental structure and forms no part of the claimed design.

1 Claim, 7 Drawing Sheets



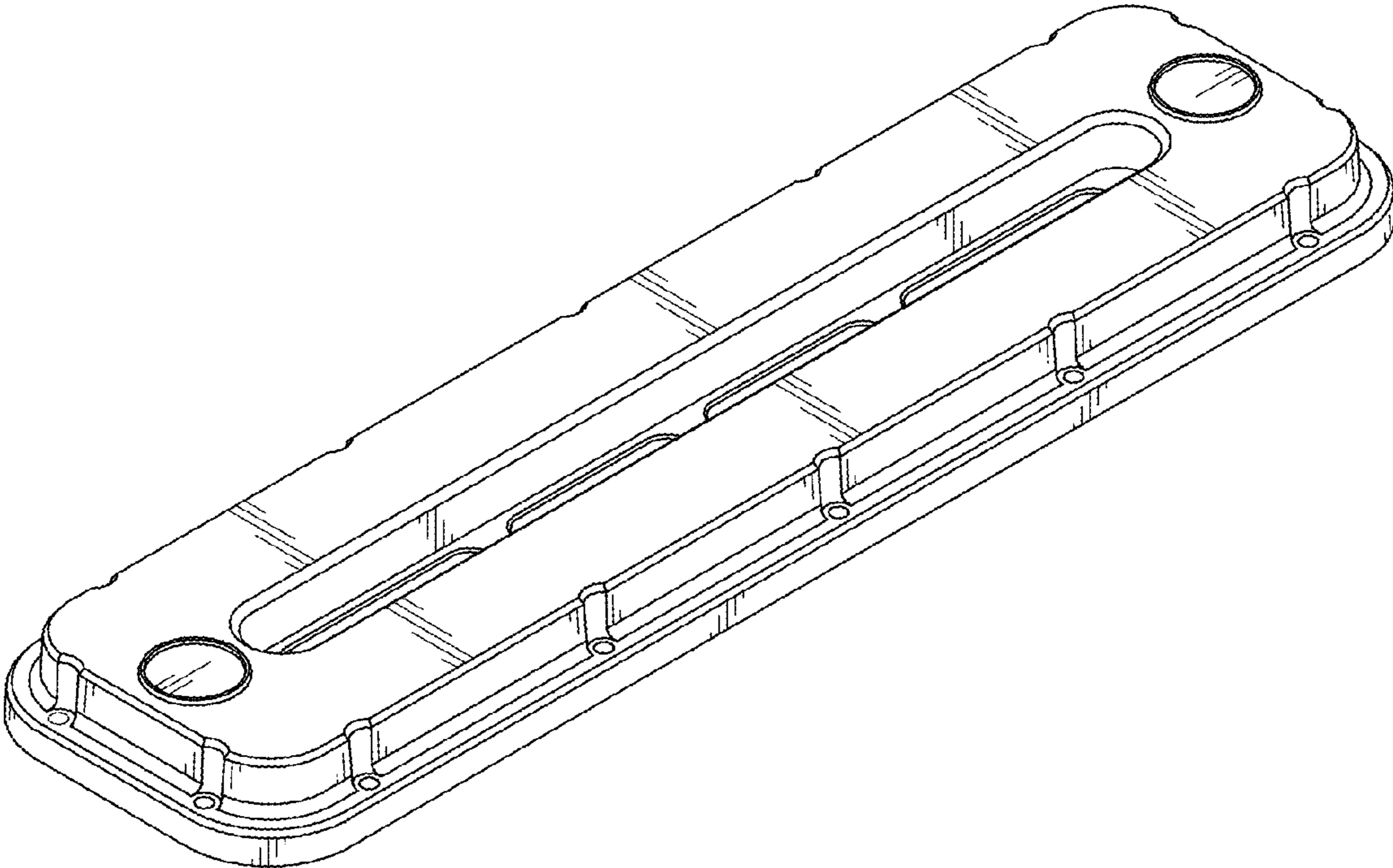


FIG. 1

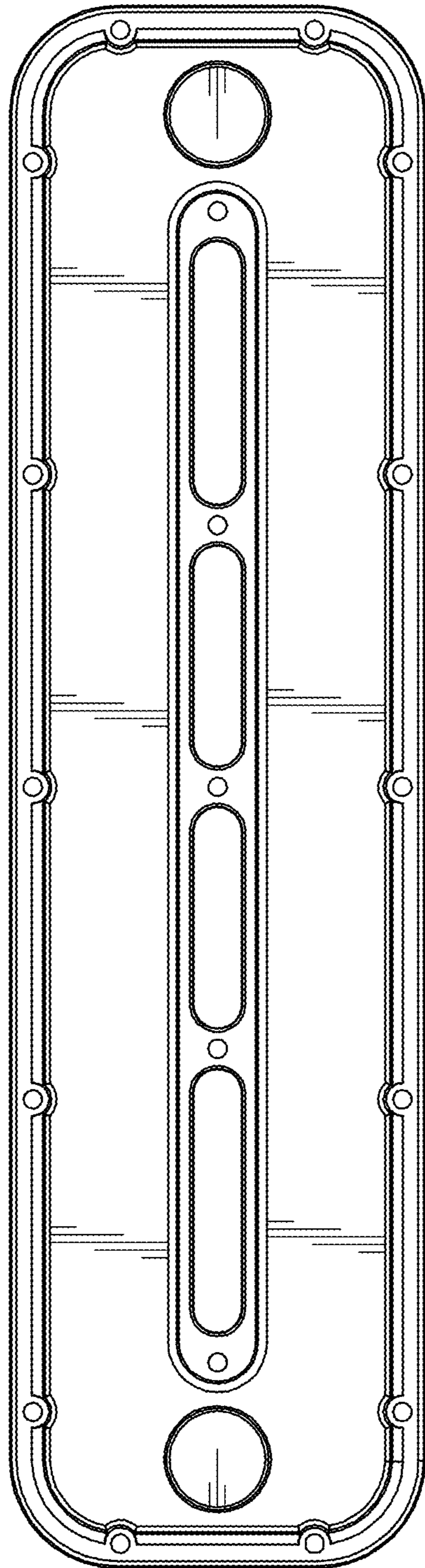


FIG. 2

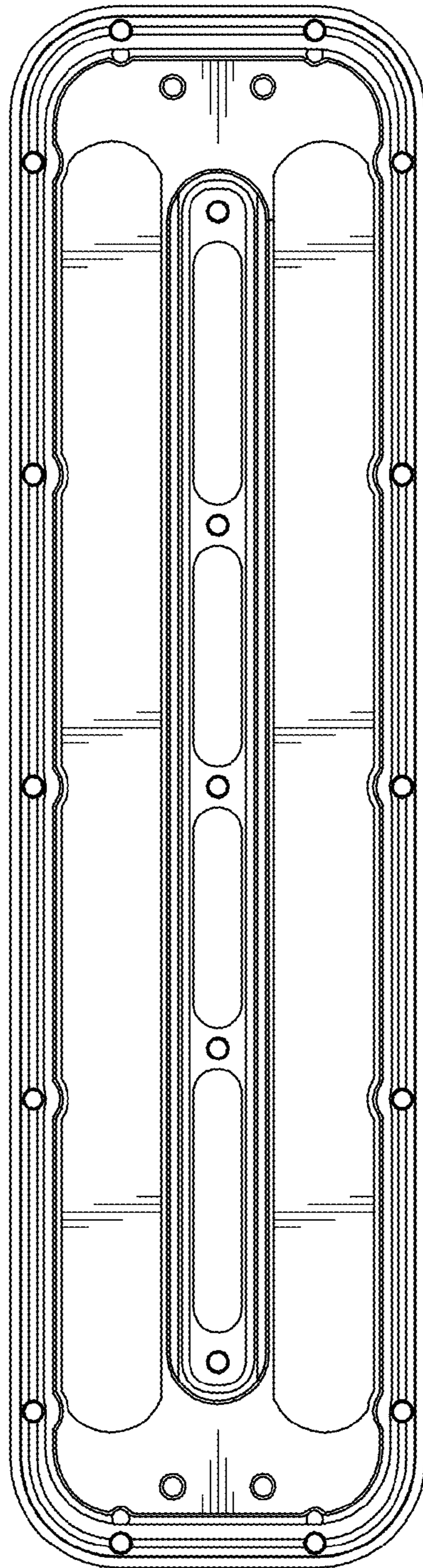


FIG. 3

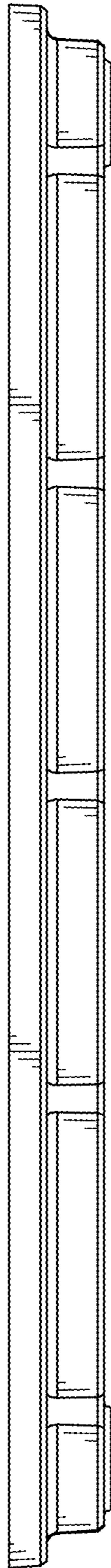


FIG. 4

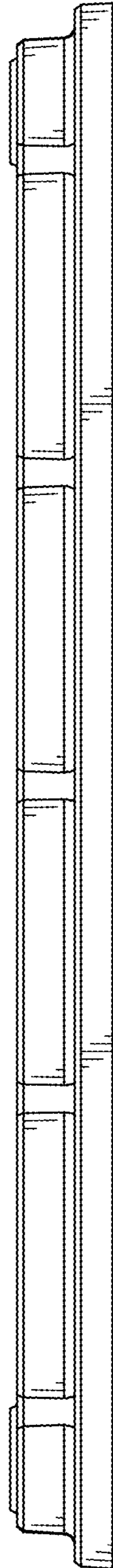


FIG. 5

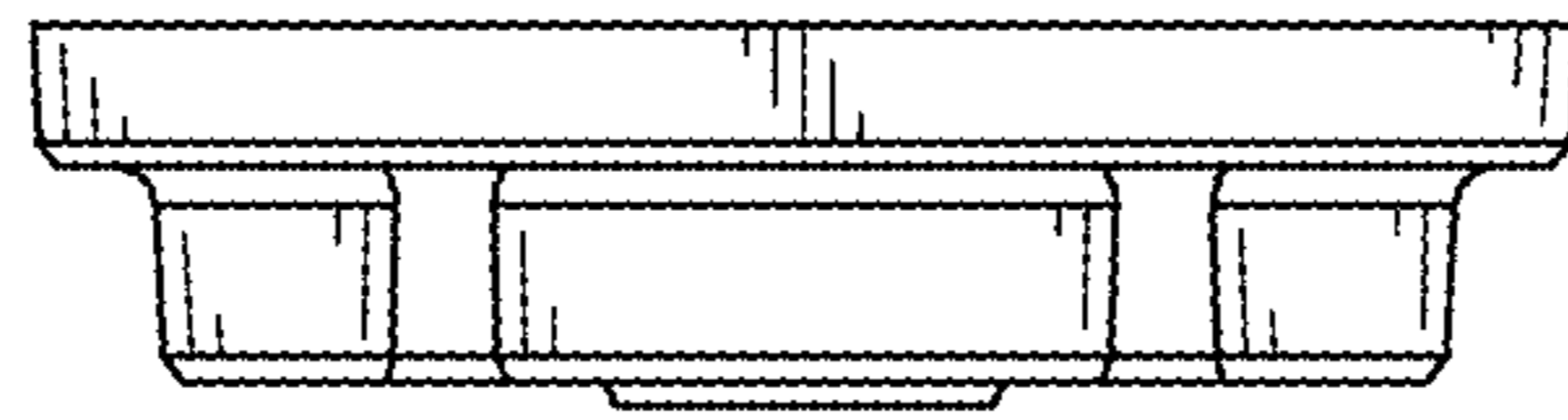


FIG. 6



FIG. 7