



US00D681865S

(12) **United States Design Patent**
Lee

(10) **Patent No.:** **US D681,865 S**

(45) **Date of Patent:** **** May 7, 2013**

(54) **DESK LAMP**

(71) Applicant: **Wen-Sung Lee**, Taichung (TW)

(72) Inventor: **Wen-Sung Lee**, Taichung (TW)

(**) Term: **14 Years**

(21) Appl. No.: **29/435,524**

(22) Filed: **Oct. 24, 2012**

(51) **LOC (9) Cl.** **26-03**

(52) **U.S. Cl.**
USPC **D26/93**

(58) **Field of Classification Search** D26/24,
D26/61-67, 93, 102, 104-105, 108-109;
362/509, 516, 523, 186, 217, 255, 257, 277,
362/317, 319, 351, 354, 355, 357, 358, 362,
362/382, 410, 413, 417, 806

See application file for complete search history.

(56) **References Cited**

U.S. PATENT DOCUMENTS

D301,632 S * 6/1989 Lohrentz D26/61
D329,098 S * 9/1992 Lu D26/62
D468,855 S * 1/2003 Gismondi D26/109

D618,844 S * 6/2010 Huang D26/93
D637,332 S * 5/2011 Lee D26/63
D639,491 S * 6/2011 Chen D26/93
D641,916 S * 7/2011 Witsch D26/93
D672,094 S * 12/2012 Santini D29/102
D673,321 S * 12/2012 Karkkainen D26/93

* cited by examiner

Primary Examiner — Brian N Vinson

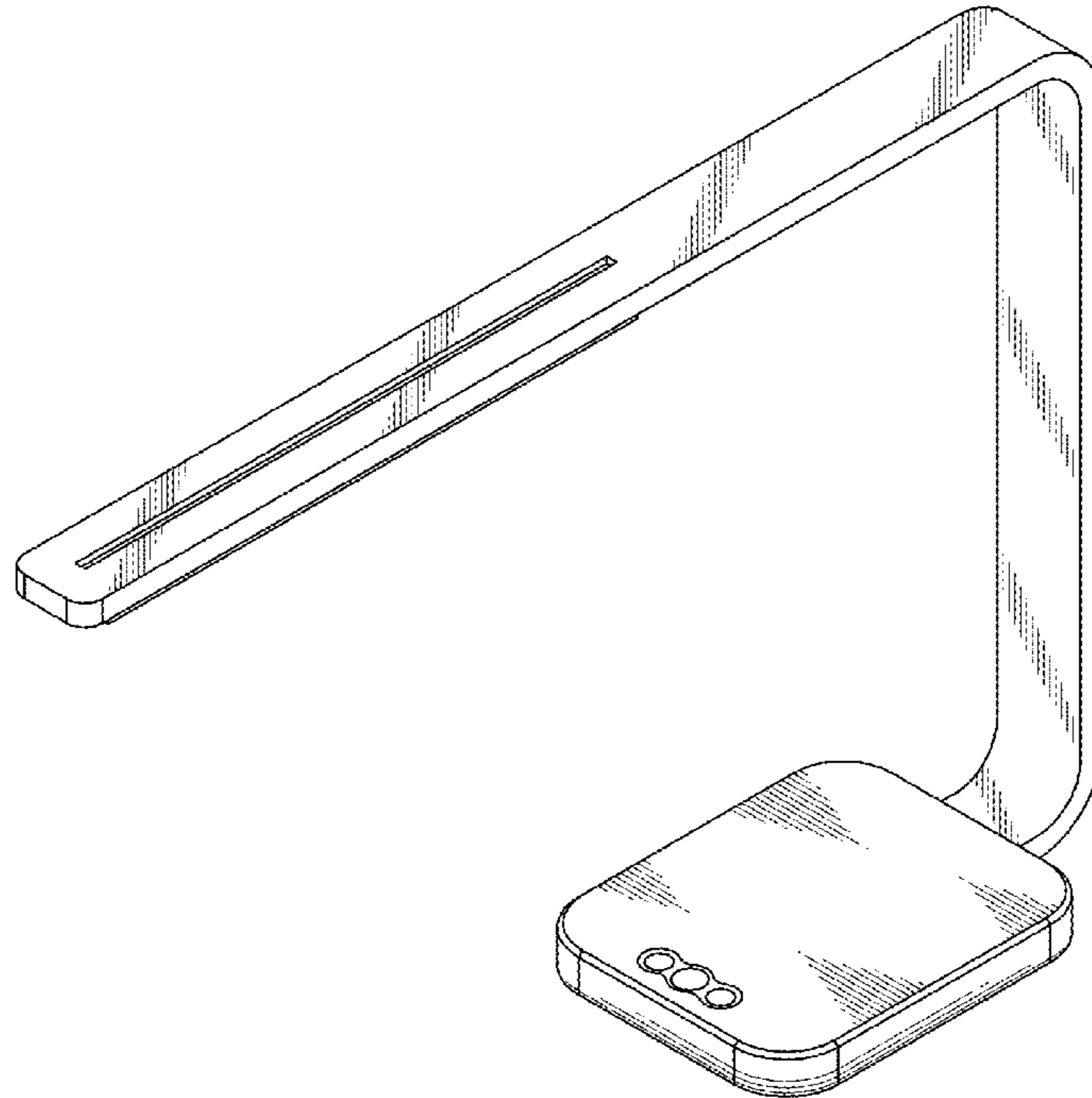
(57) **CLAIM**

The ornamental design for a desk lamp, as shown and described.

DESCRIPTION

FIG. 1 is a perspective view of a desk lamp showing my new design;
FIG. 2 is a front elevational view thereof;
FIG. 3 is a rear elevational view thereof;
FIG. 4 is a left side view thereof;
FIG. 5 is a right side view thereof;
FIG. 6 is a top plan view thereof;
FIG. 7 is a bottom plan view thereof; and,
FIG. 8 is another perspective view thereof.

1 Claim, 6 Drawing Sheets



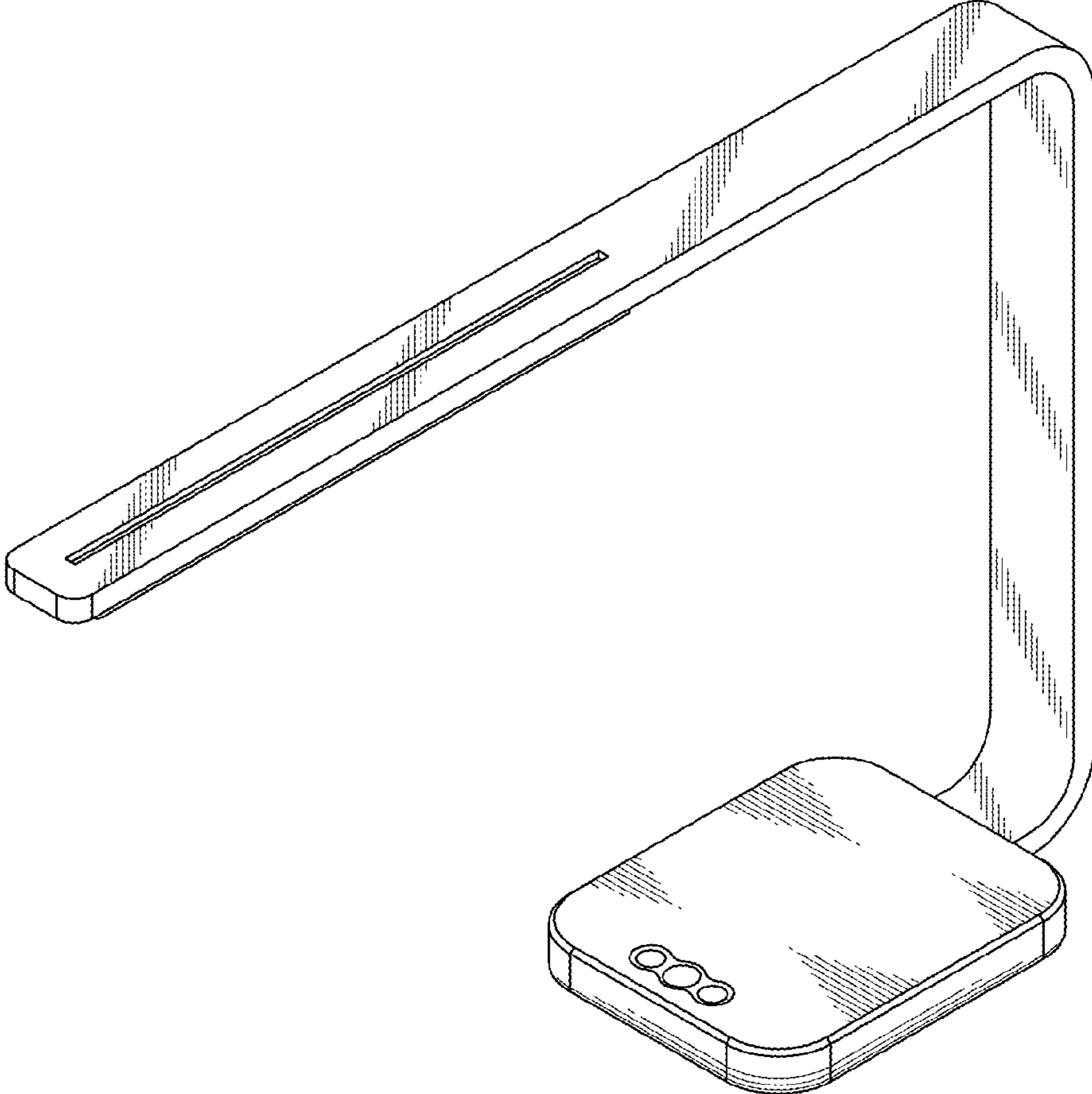


FIG. 1

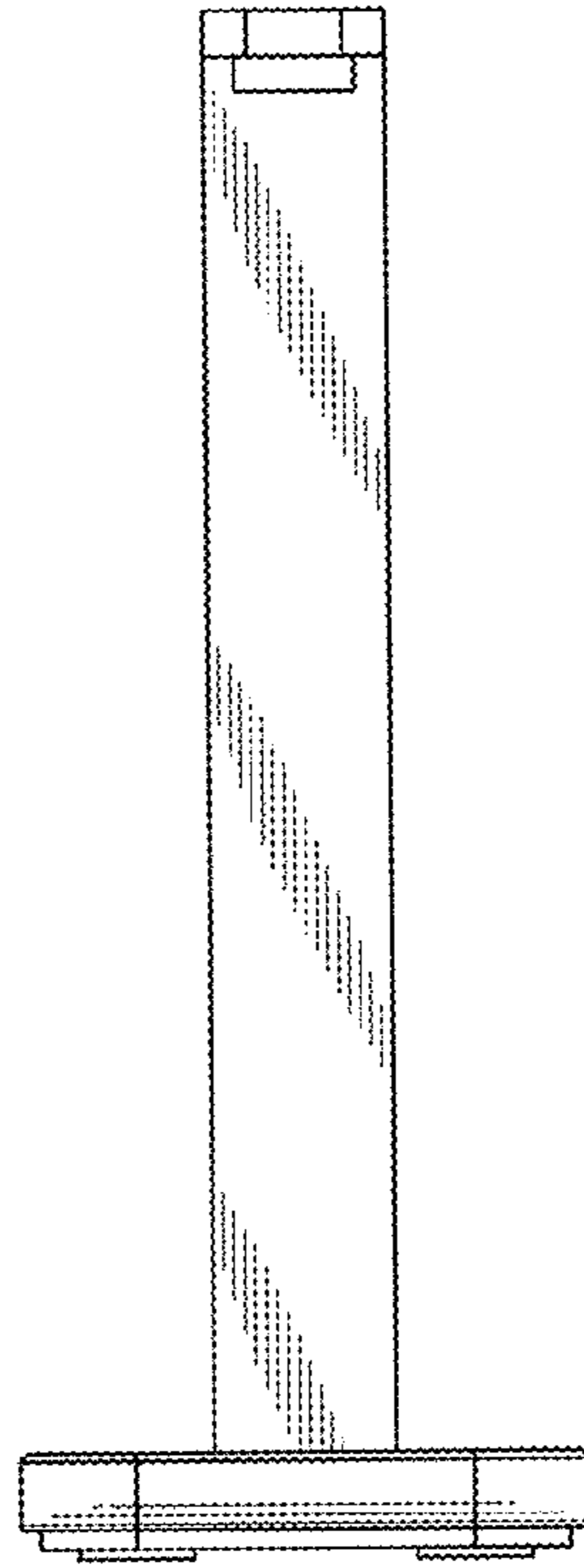


FIG. 2

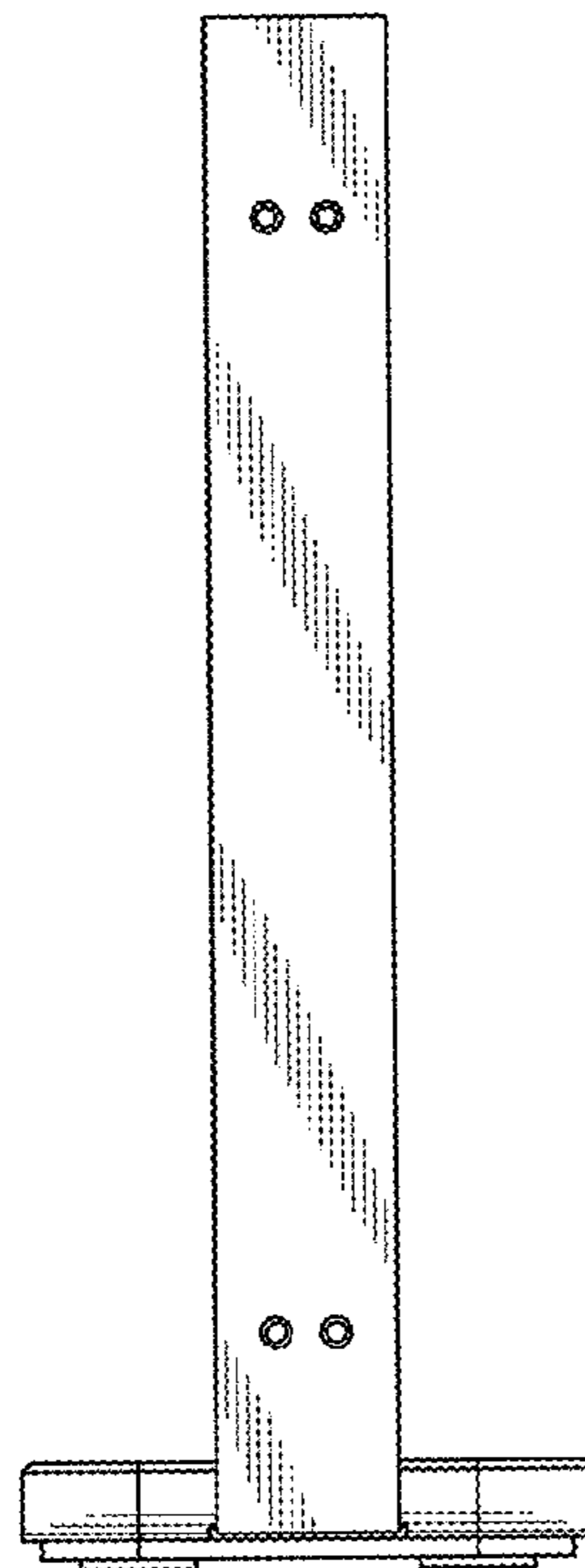


FIG. 3

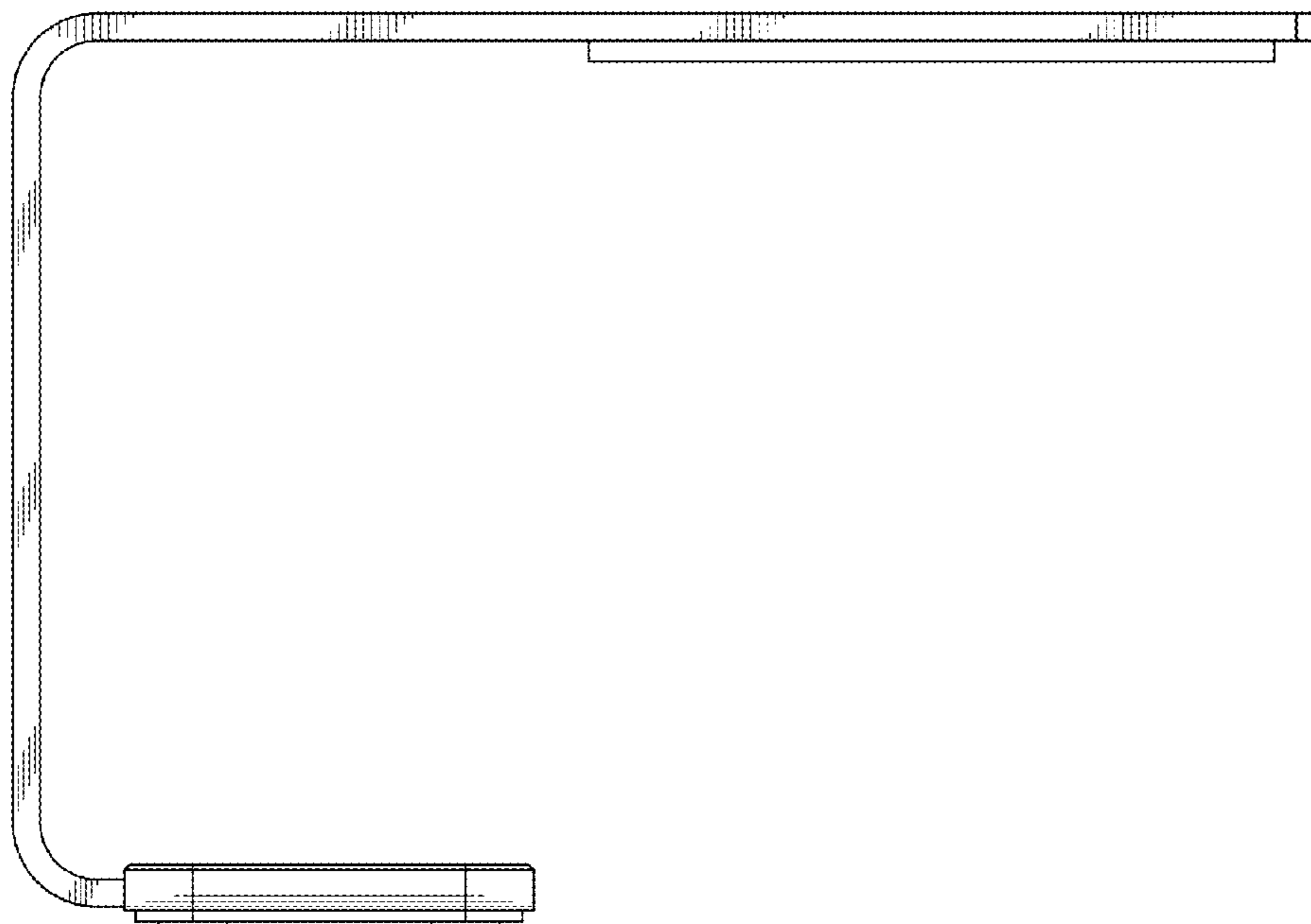


FIG. 4

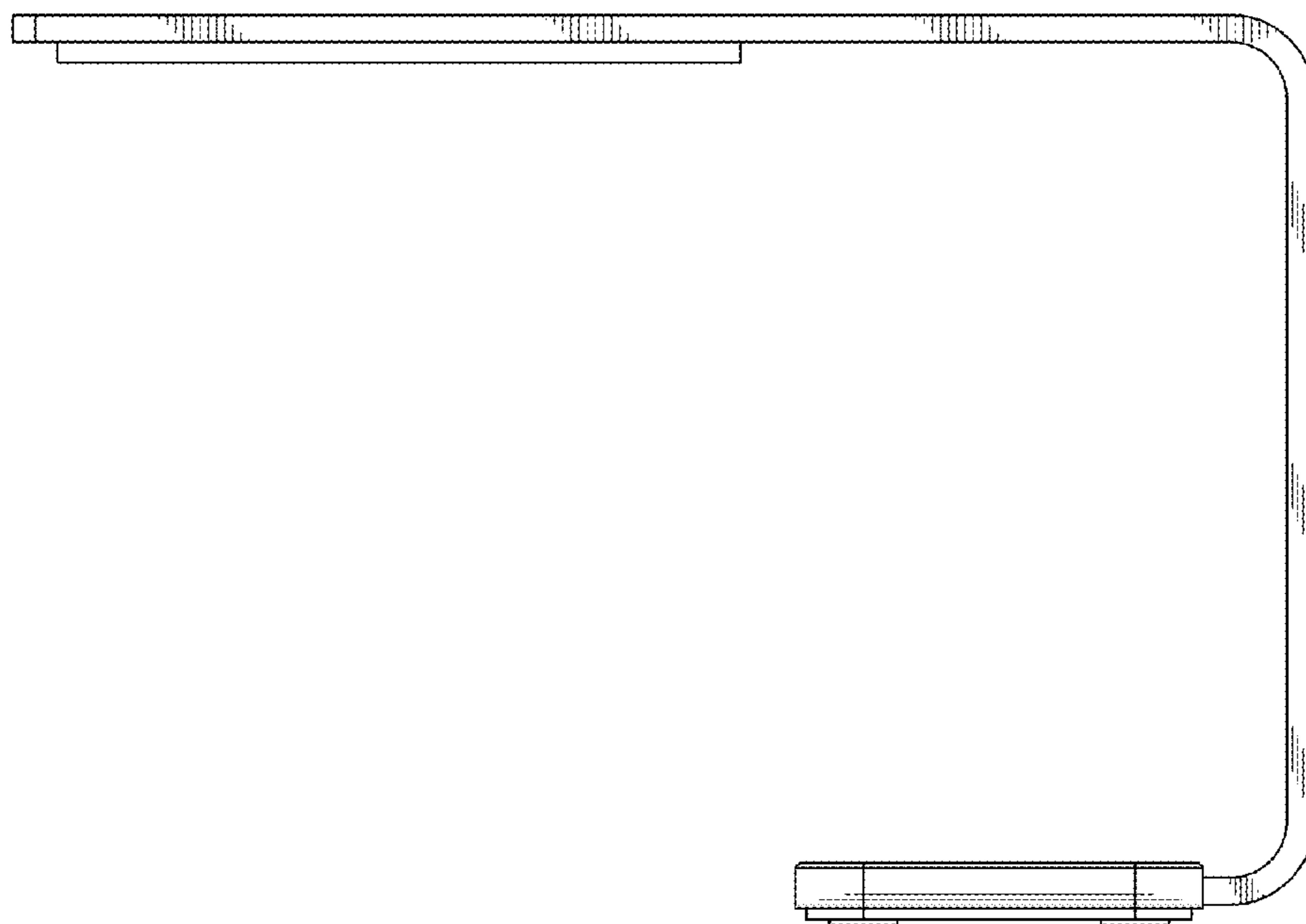


FIG. 5

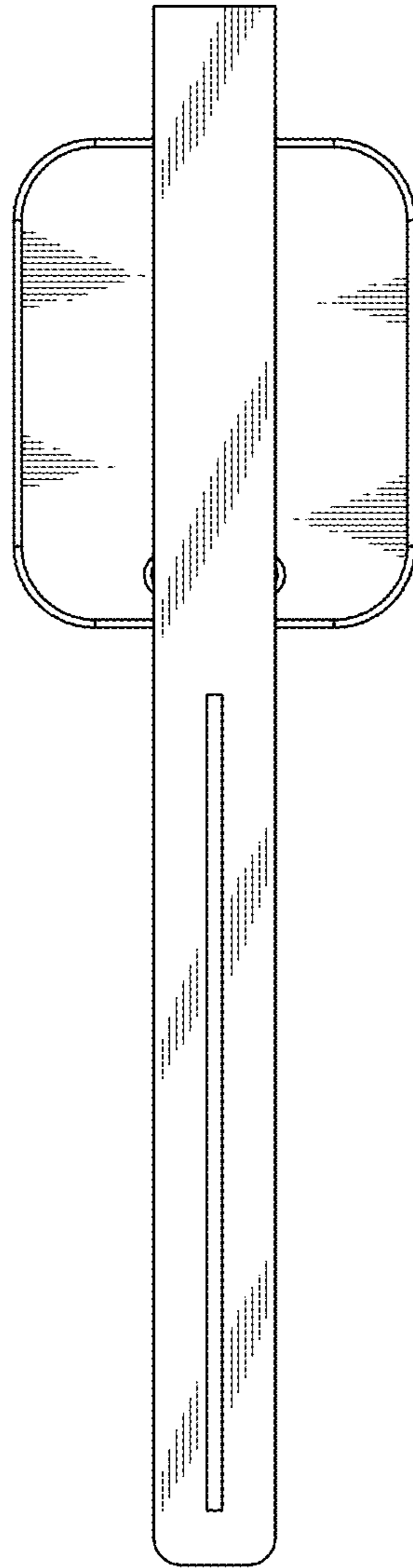


FIG. 6

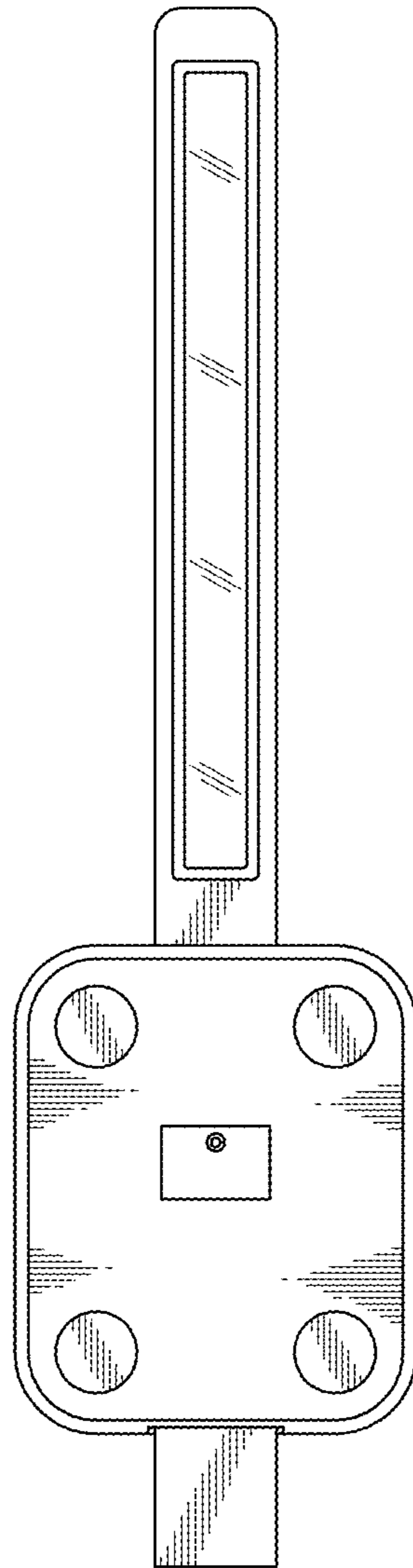


FIG. 7

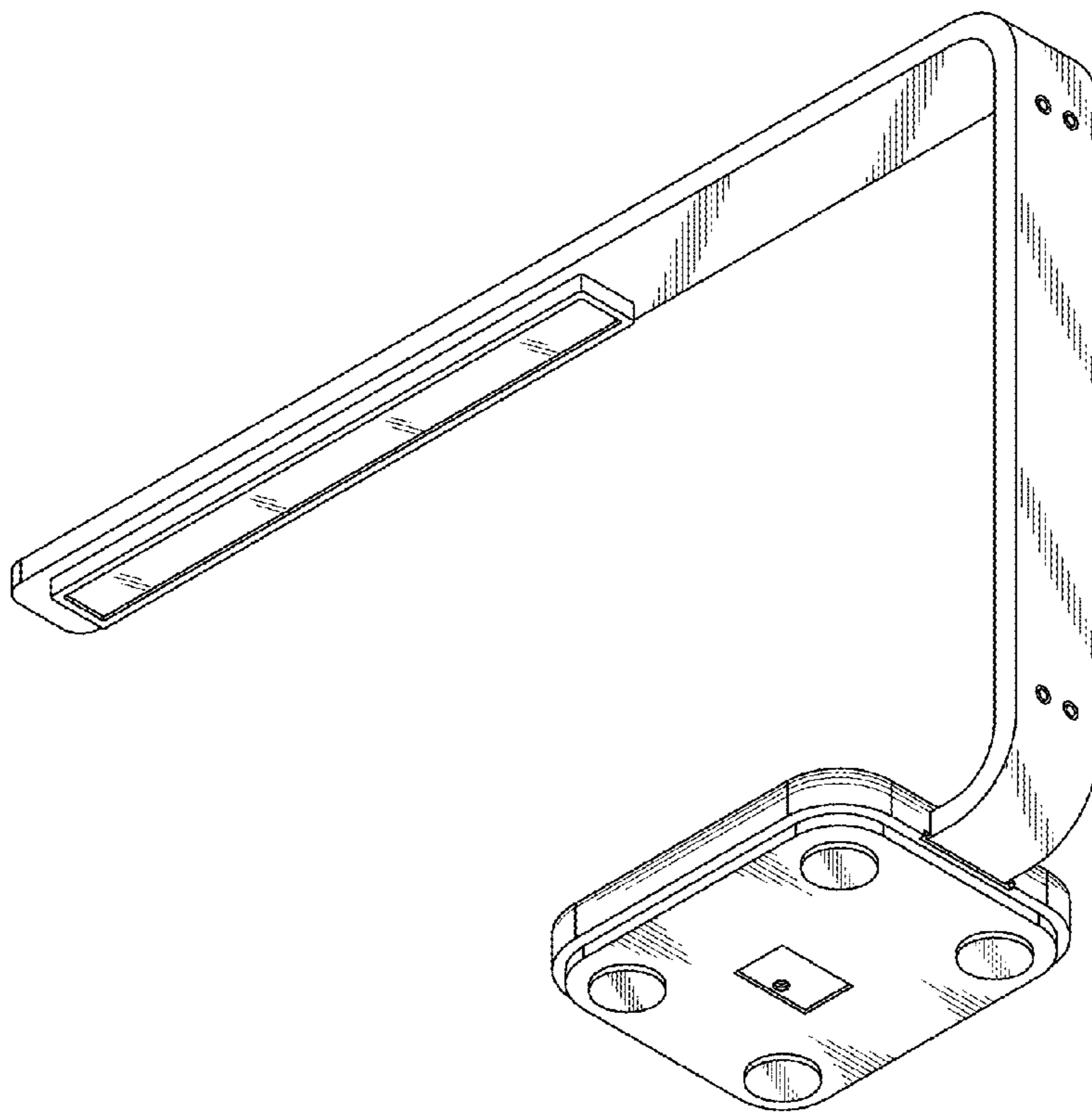


FIG. 8