



US00D681862S

(12) **United States Design Patent**  
**Soni**

(10) **Patent No.:** **US D681,862 S**  
(45) **Date of Patent:** **\*\* May 7, 2013**

(54) **SWIVEL LIGHTING FIXTURE**

(75) Inventor: **Vimal Soni**, Mumbai (IN)

(73) Assignee: **Photoquip India Ltd.**, Mumbai (IN)

(\*\*) Term: **14 Years**

(21) Appl. No.: **29/417,419**

(22) Filed: **Apr. 3, 2012**

(30) **Foreign Application Priority Data**

Mar. 15, 2012 (IN) ..... 243873

(51) **LOC (9) Cl.** ..... **26-05**

(52) **U.S. Cl.**  
USPC ..... **D26/74**

(58) **Field of Classification Search** ..... D26/24,  
D26/72, 80, 81, 83, 85, 88, 89, 91, 113, 118,  
D26/123, 124, 138, 74, 76; 362/145, 146,  
362/147, 148, 150, 153, 294, 296.01, 296.07,  
362/296.08, 311.07, 311.09, 311.1, 345,  
362/364, 365, 366, 373

See application file for complete search history.

(56) **References Cited**

**U.S. PATENT DOCUMENTS**

D320,862 S \* 10/1991 Moeller et al. .... D26/24  
D326,729 S \* 6/1992 Gattari ..... D26/74  
D473,966 S \* 4/2003 Lecluze ..... D26/74  
D488,583 S \* 4/2004 Benghozi ..... D26/118

D601,293 S \* 9/2009 MacKenzie ..... D26/74  
D610,289 S \* 2/2010 Yoshinobu et al. .... D26/74  
D625,876 S \* 10/2010 Chen et al. .... D26/74  
D640,820 S \* 6/2011 Hopper ..... D26/74  
D654,205 S \* 2/2012 Rashidi ..... D26/74  
D659,893 S \* 5/2012 Ding et al. .... D26/113  
D665,117 S \* 8/2012 Yoshida et al. .... D26/74  
2010/0177521 A1\* 7/2010 Lee ..... 362/373  
2012/0140490 A1\* 6/2012 Rowlette et al. .... 362/373

\* cited by examiner

*Primary Examiner* — Angela J Lee

(74) *Attorney, Agent, or Firm* — Notaro, Michalos & Zaccaria P.C.

(57) **CLAIM**

The ornamental design for a swivel lighting fixture, as shown and described.

**DESCRIPTION**

FIG. 1 is a top plan view of a lighting fixture showing my new design therefor;

FIG. 2 is a front elevational view thereof;

FIG. 3 is a side elevational view thereof;

FIG. 4 is a bottom plan view thereof;

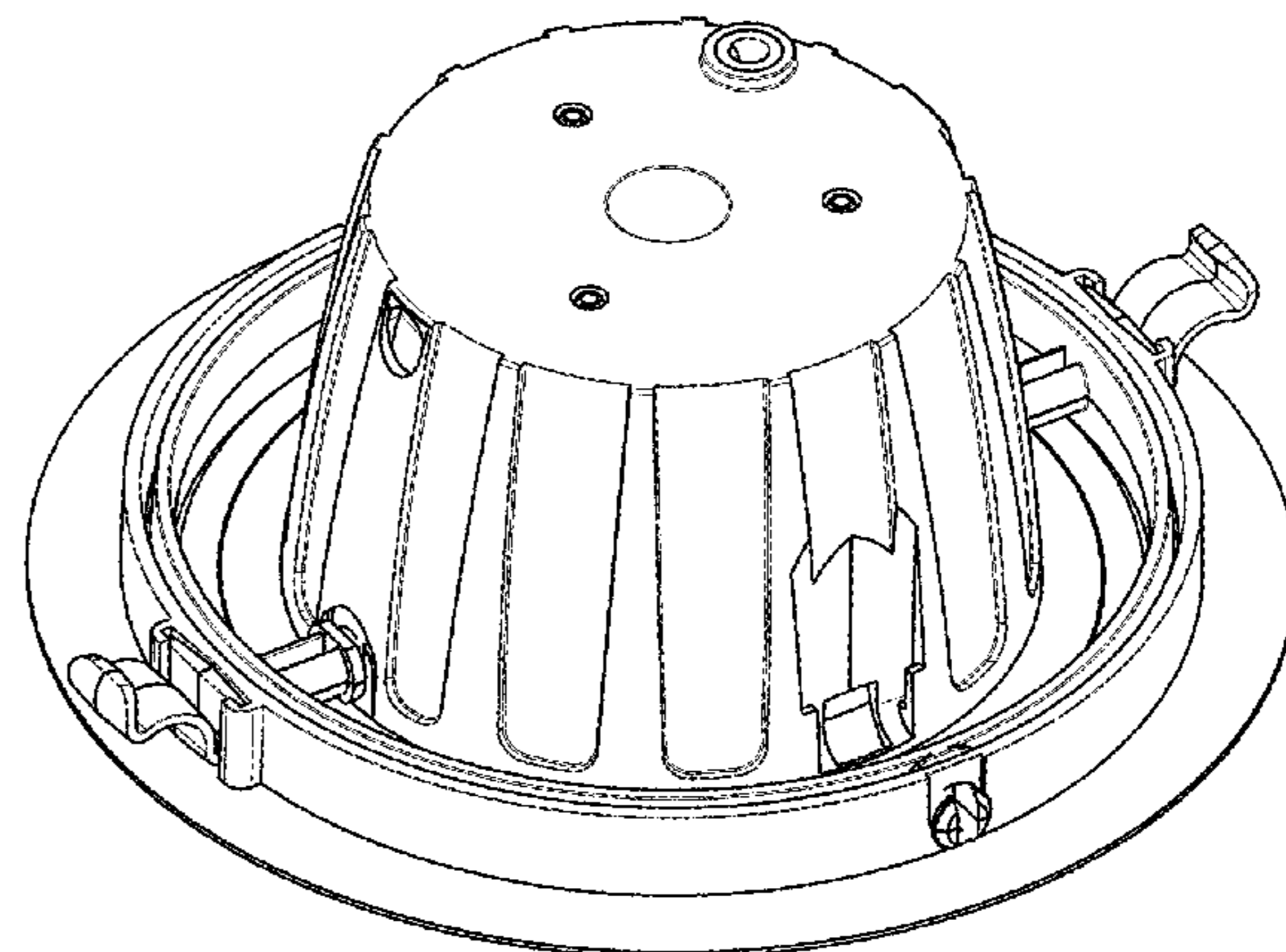
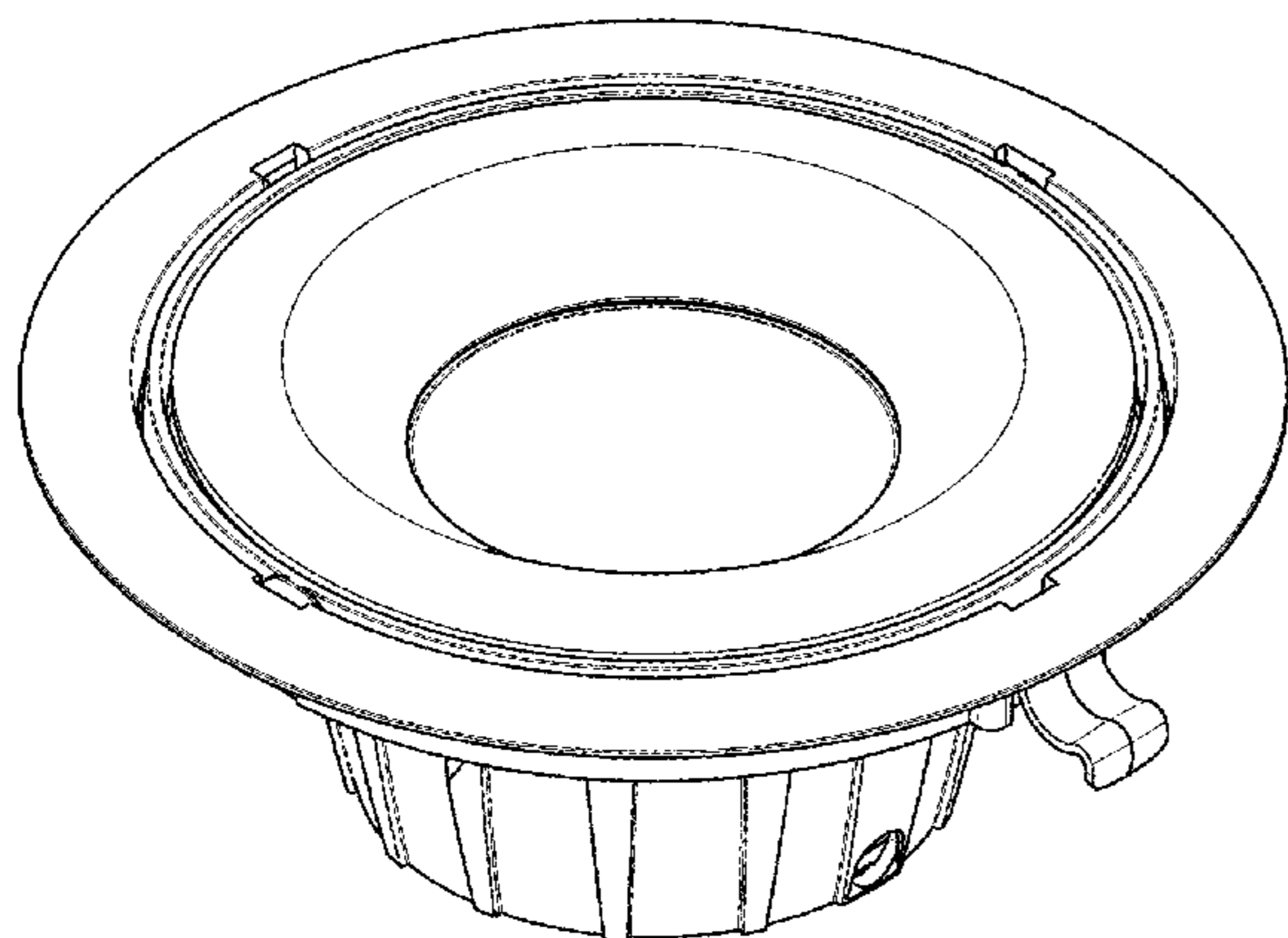
FIG. 5 is a top left side perspective view thereof;

FIG. 6 is a top right side perspective view thereof;

FIG. 7 is a bottom front perspective view thereof; and,

FIG. 8 is a bottom side perspective view thereof.

**1 Claim, 4 Drawing Sheets**



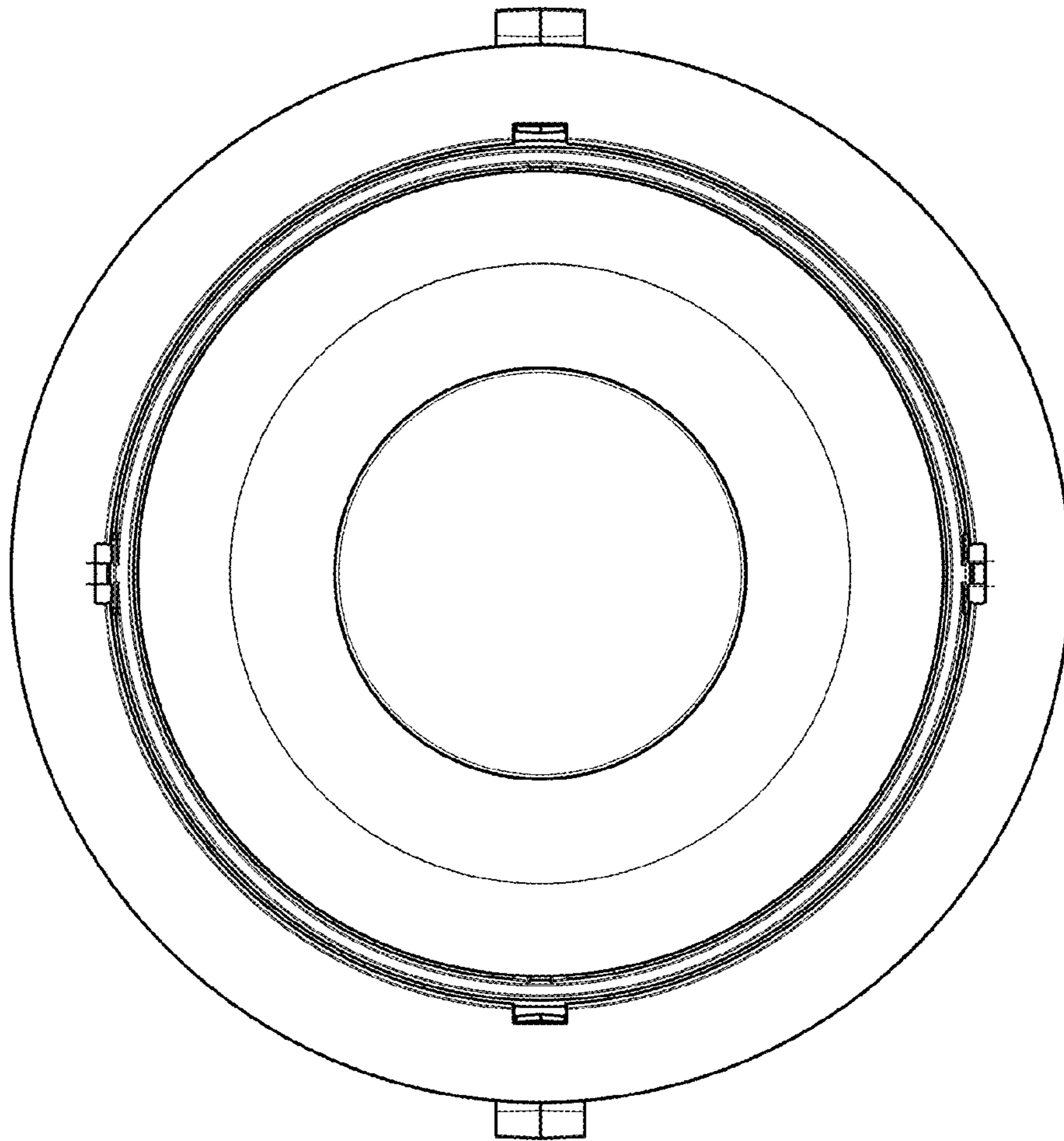


FIG. 1

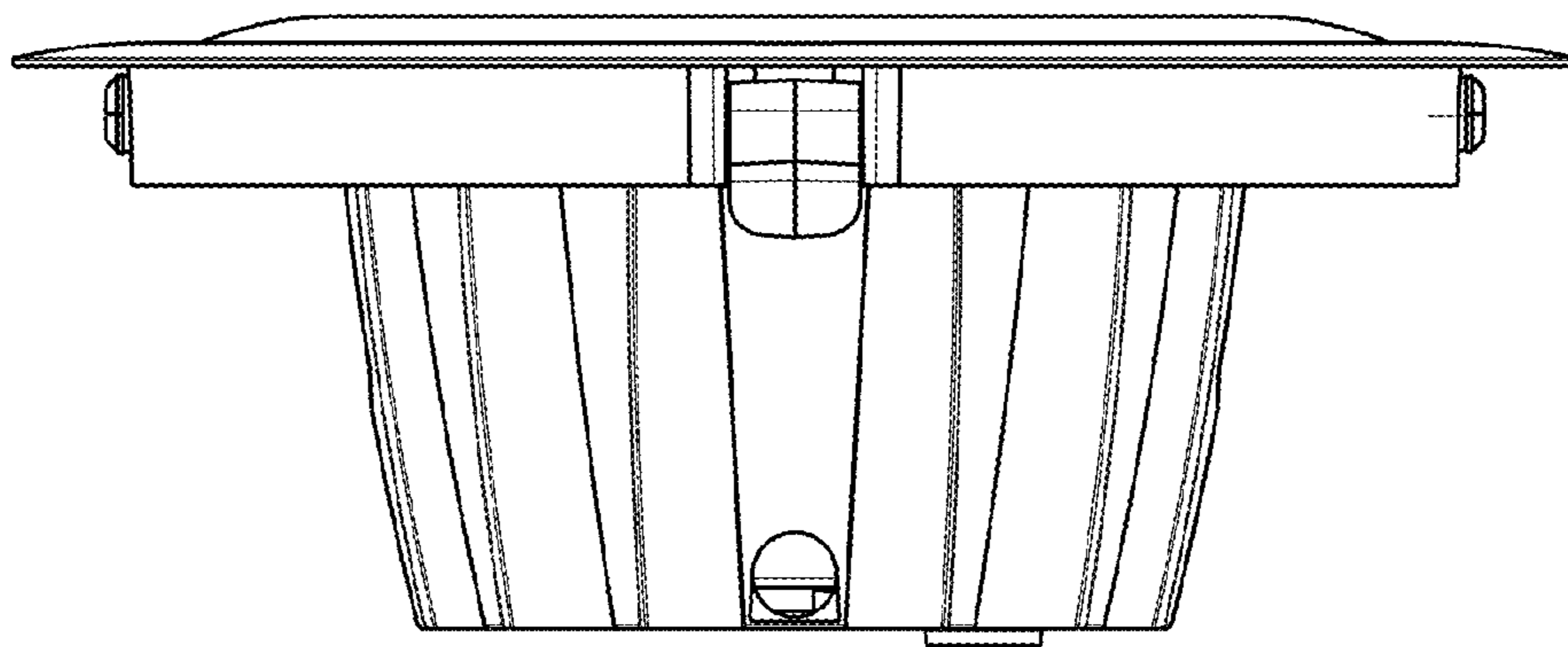


FIG. 2

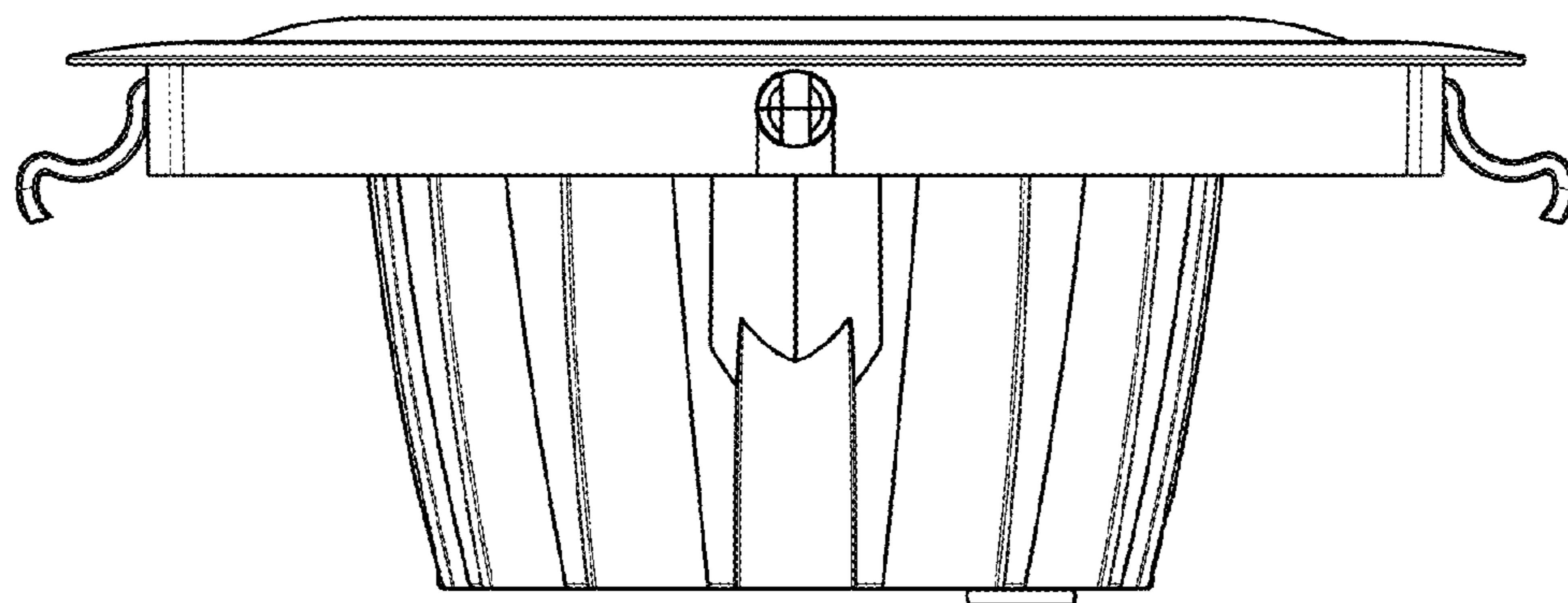


FIG. 3

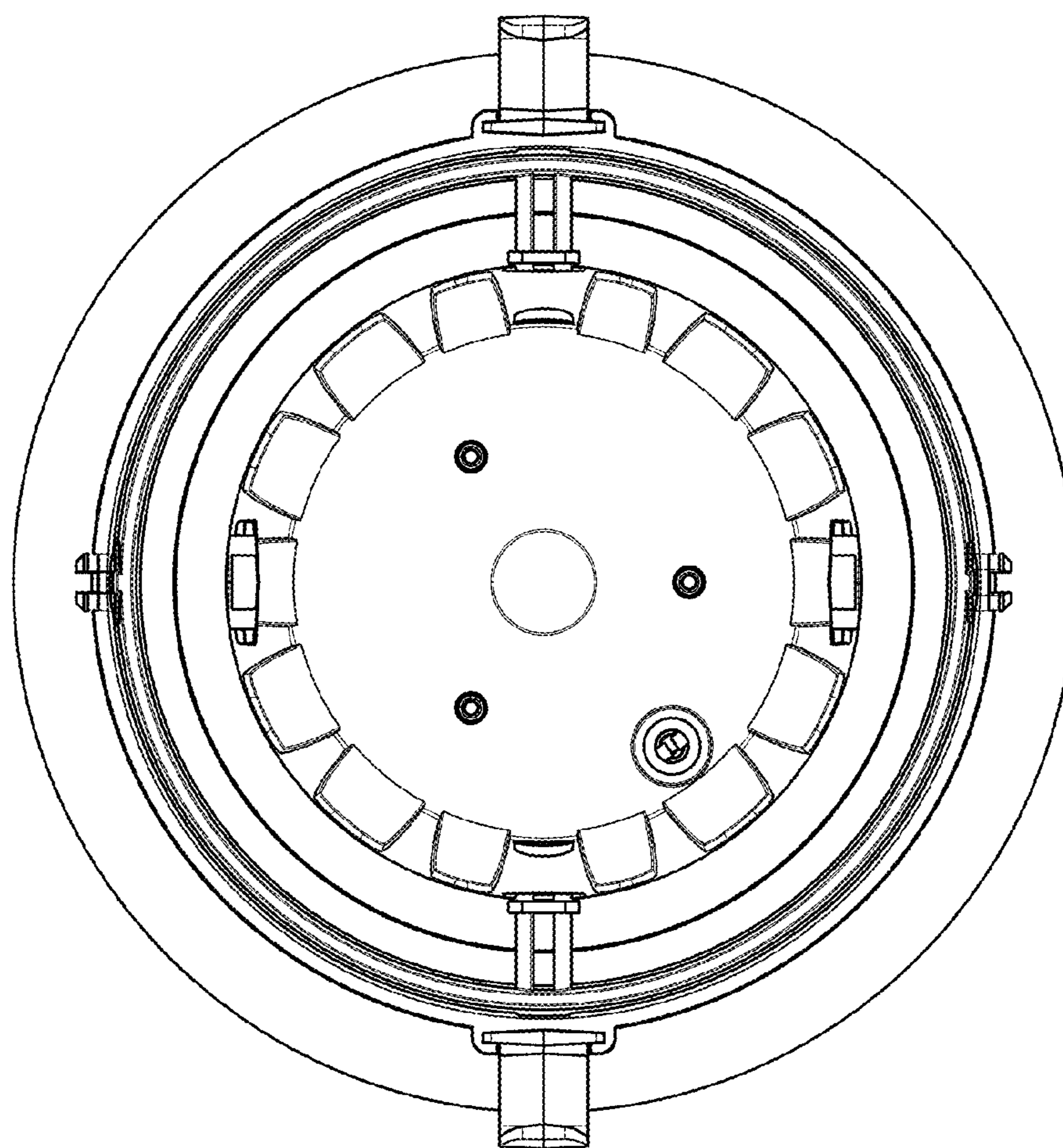


FIG. 4

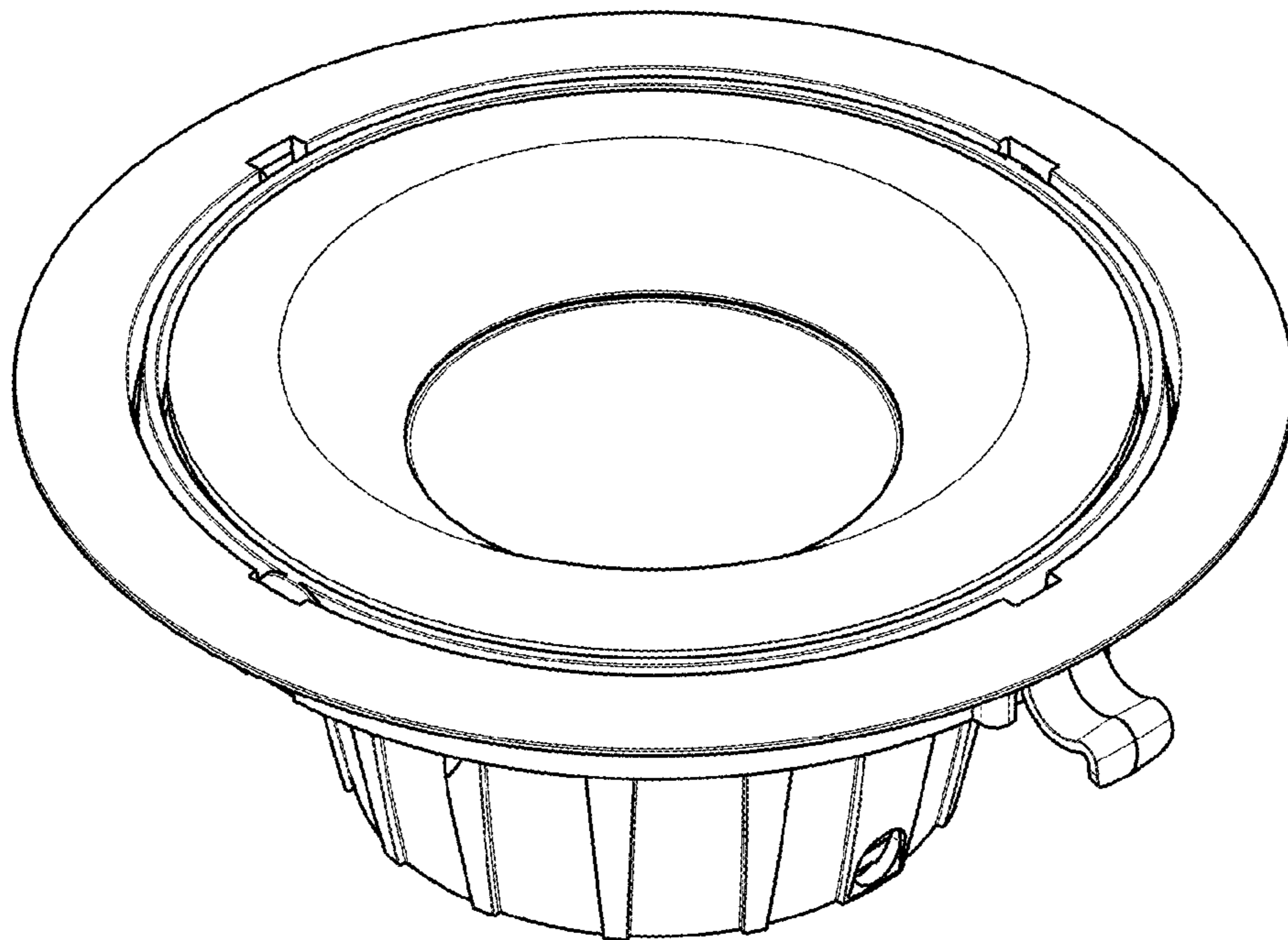


FIG. 5

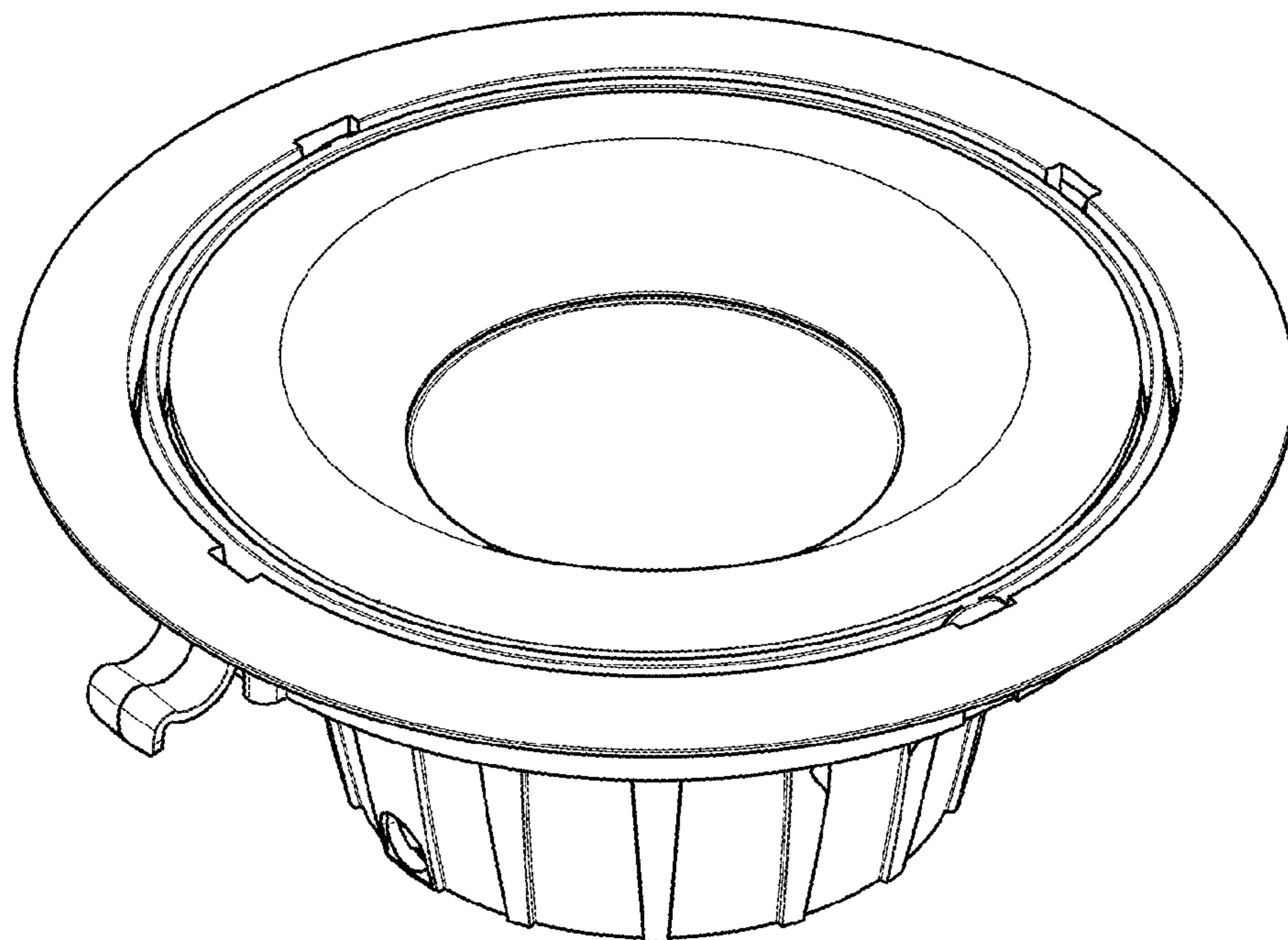


FIG. 6

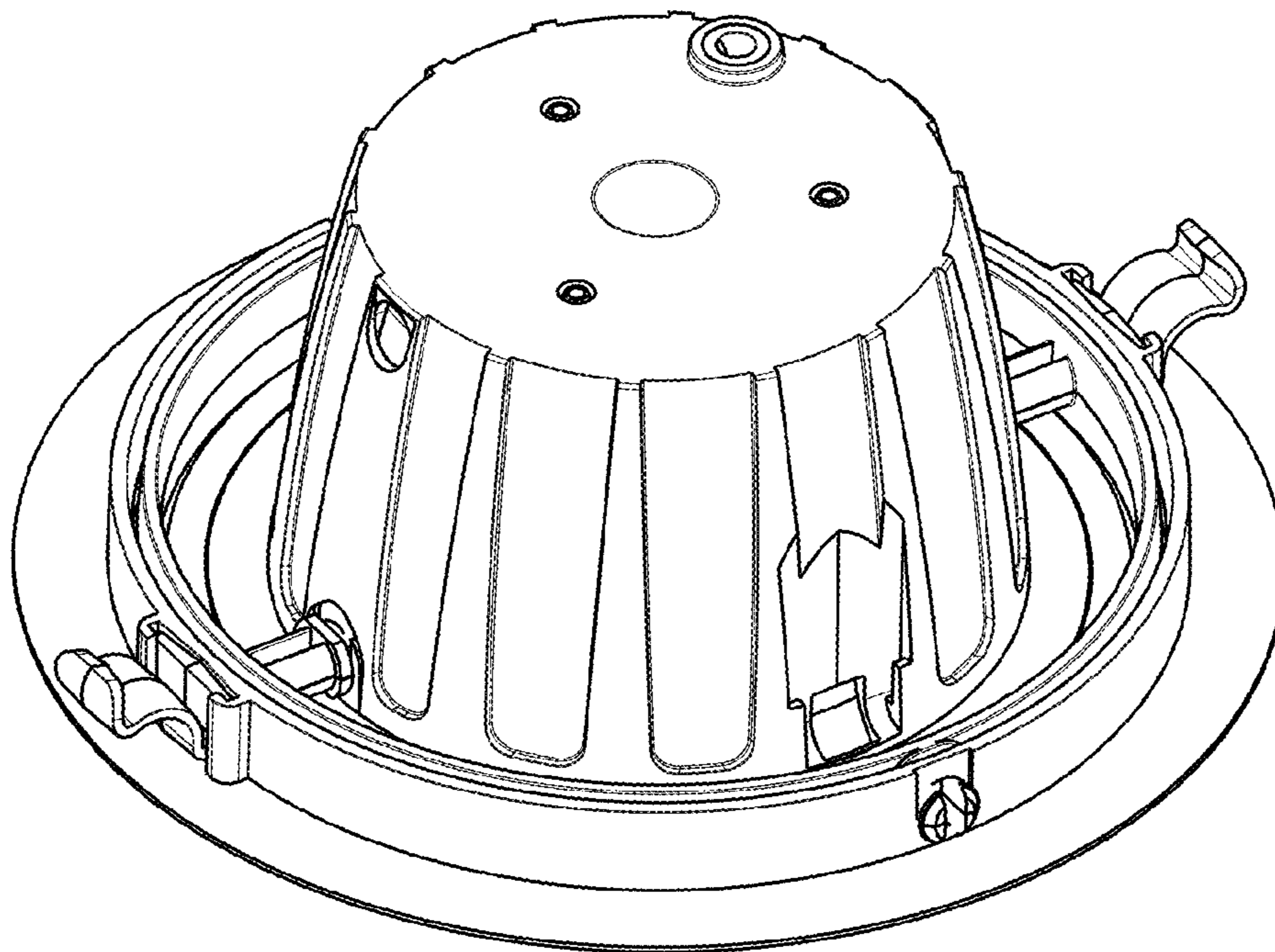


FIG. 7

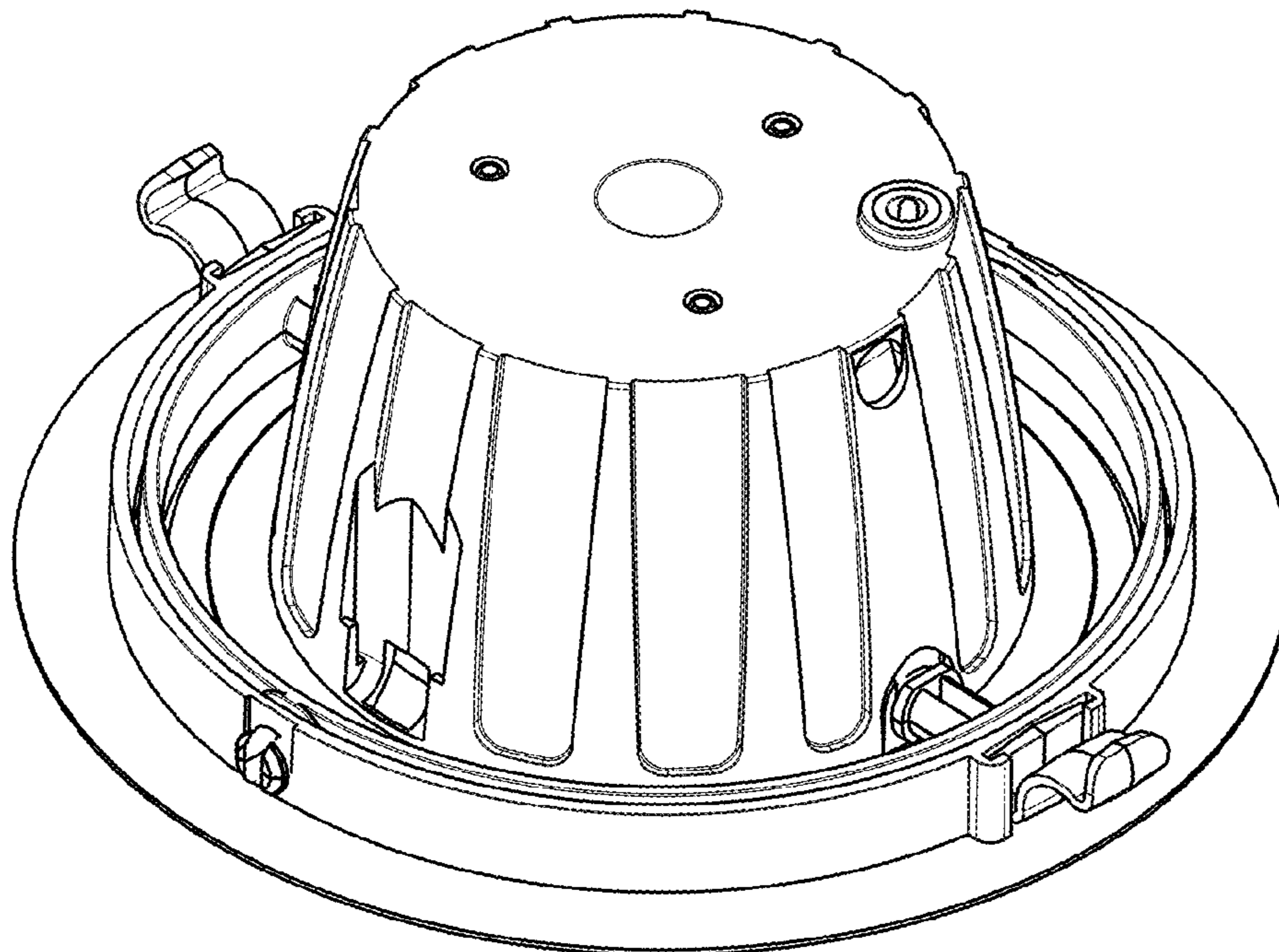


FIG. 8