



US00D681861S

(12) **United States Design Patent**
Soni

(10) **Patent No.:** **US D681,861 S**

(45) **Date of Patent:** **** May 7, 2013**

(54) **SQUARE LIGHTING FIXTURE**

(75) Inventor: **Vimal Soni**, Mumbai (IN)

(73) Assignee: **Photoquip India Ltd.**, Mumbai (IN)

(**) Term: **14 Years**

(21) Appl. No.: **29/417,411**

(22) Filed: **Apr. 3, 2012**

(30) **Foreign Application Priority Data**

Mar. 15, 2012 (IN) 243874

(51) **LOC (9) Cl.** **26-05**

(52) **U.S. Cl.**
USPC **D26/74**

(58) **Field of Classification Search** D26/24,
D26/72, 80, 81, 83, 85, 88, 89, 91, 113, 118,
D26/123, 124, 138, 74, 76; 362/145, 146,
362/147, 148, 150, 153, 294, 296.01, 296.07,
362/296.08, 311.07, 311.09, 311.1, 345,
362/364, 365, 366, 373

See application file for complete search history.

(56) **References Cited**

U.S. PATENT DOCUMENTS

D320,862 S * 10/1991 Moeller et al. D26/24
D326,729 S * 6/1992 Gattari D26/74
D510,151 S * 9/2005 Rashidi D26/74
D544,128 S * 6/2007 Carro D26/74

D568,522 S * 5/2008 Engel D26/74
D581,083 S * 11/2008 Chan et al. D26/74
D610,289 S * 2/2010 Yoshinobu et al. D26/74
D625,876 S * 10/2010 Chen et al. D26/74
D640,820 S * 6/2011 Hopper D26/74
D646,829 S * 10/2011 Pan D26/74
D654,205 S * 2/2012 Rashidi D26/74
D659,893 S * 5/2012 Ding et al. D26/113
2010/0177521 A1 * 7/2010 Lee 362/373

* cited by examiner

Primary Examiner — Angela J Lee

(74) *Attorney, Agent, or Firm* — Notaro, Michalos & Zaccaria P.C.

(57) **CLAIM**

The ornamental design for a square lighting fixture, as shown and described.

DESCRIPTION

FIG. 1 is a top plan view of a lighting fixture showing my new design therefor;

FIG. 2 is a front elevational view thereof;

FIG. 3 is a side elevational view thereof;

FIG. 4 is a bottom plan view thereof;

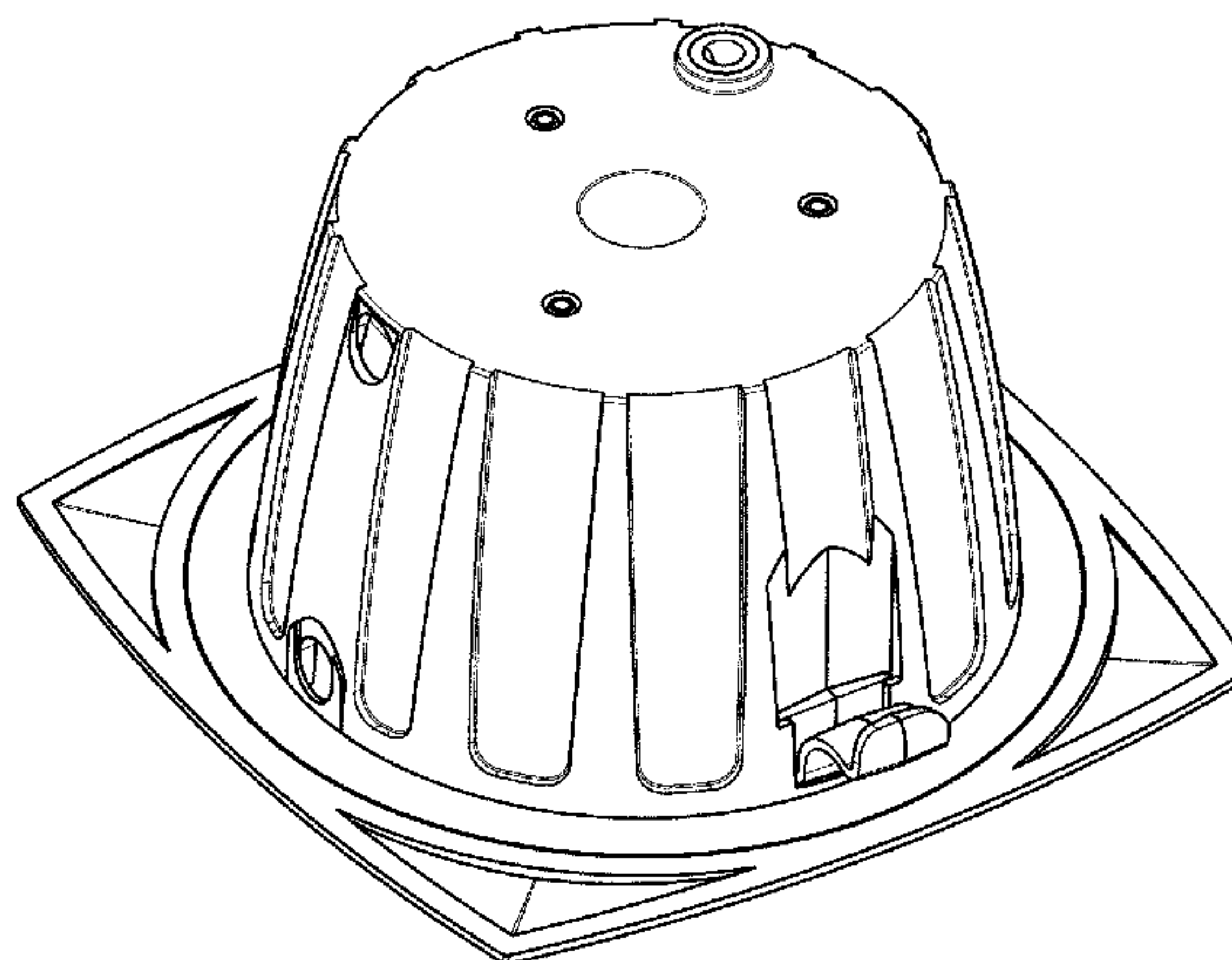
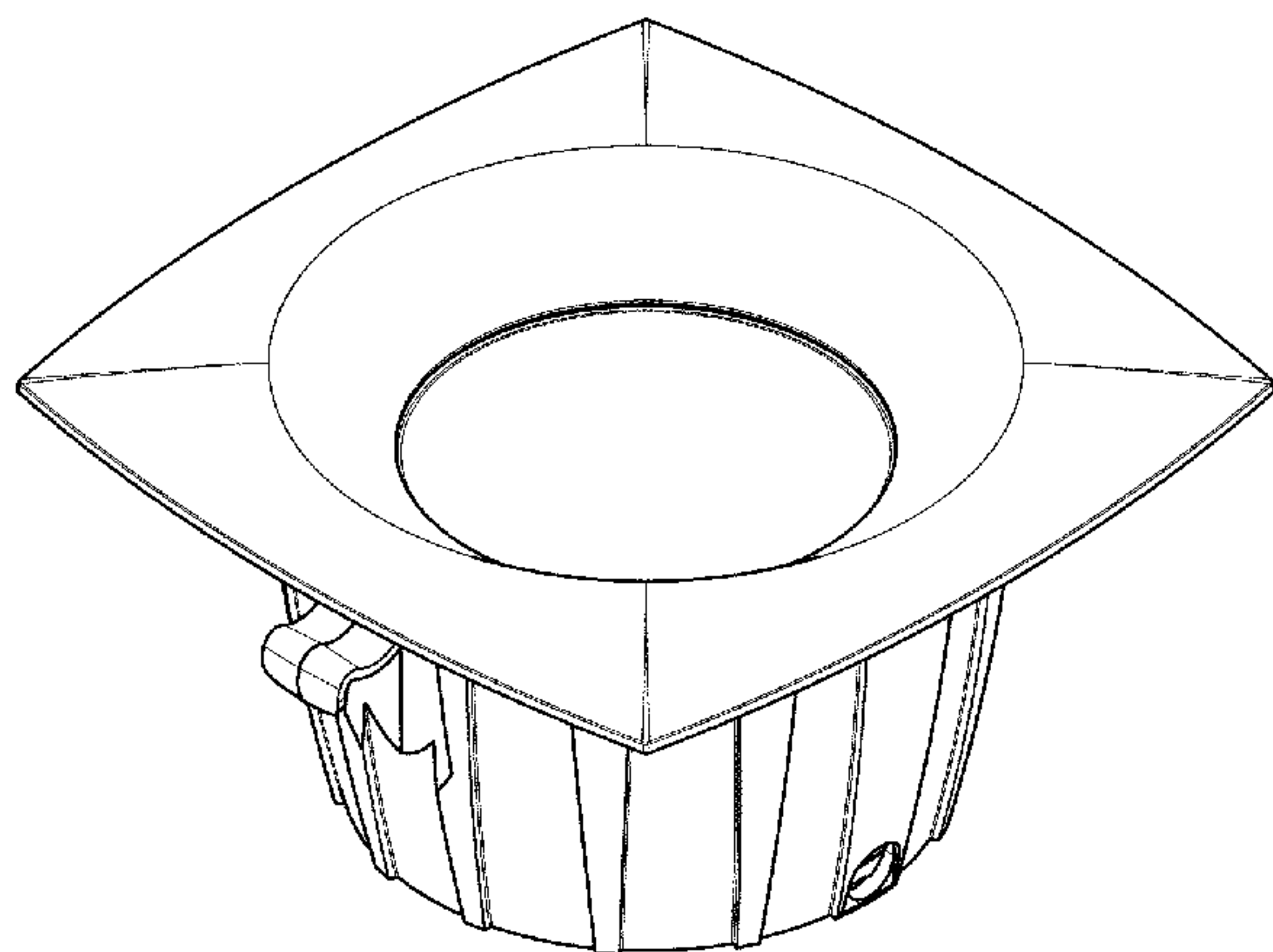
FIG. 5 is a top right side perspective view thereof;

FIG. 6 is a top left side perspective view thereof;

FIG. 7 is a bottom front perspective view thereof; and,

FIG. 8 is a bottom side perspective view thereof.

1 Claim, 4 Drawing Sheets



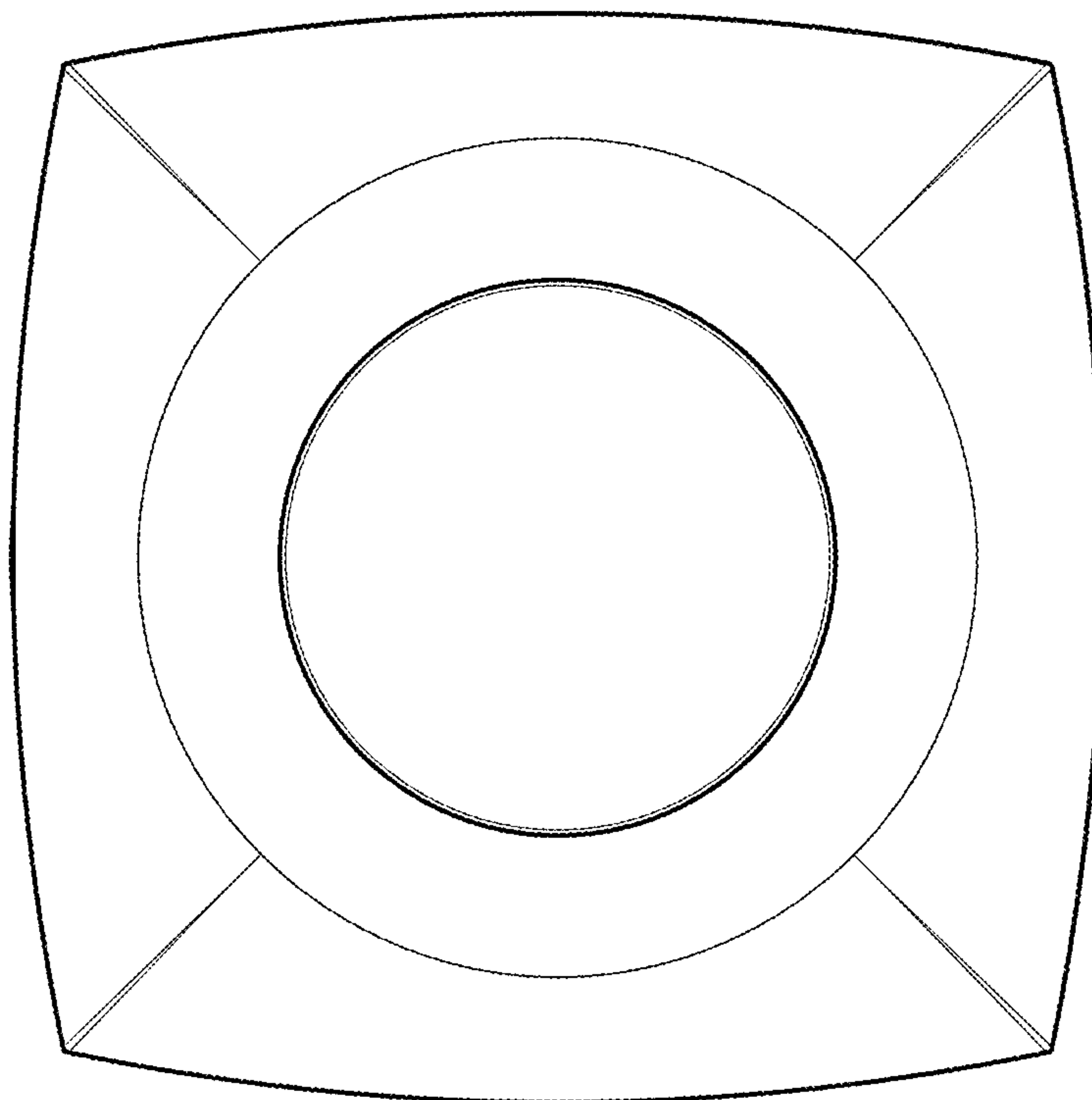


FIG. 1

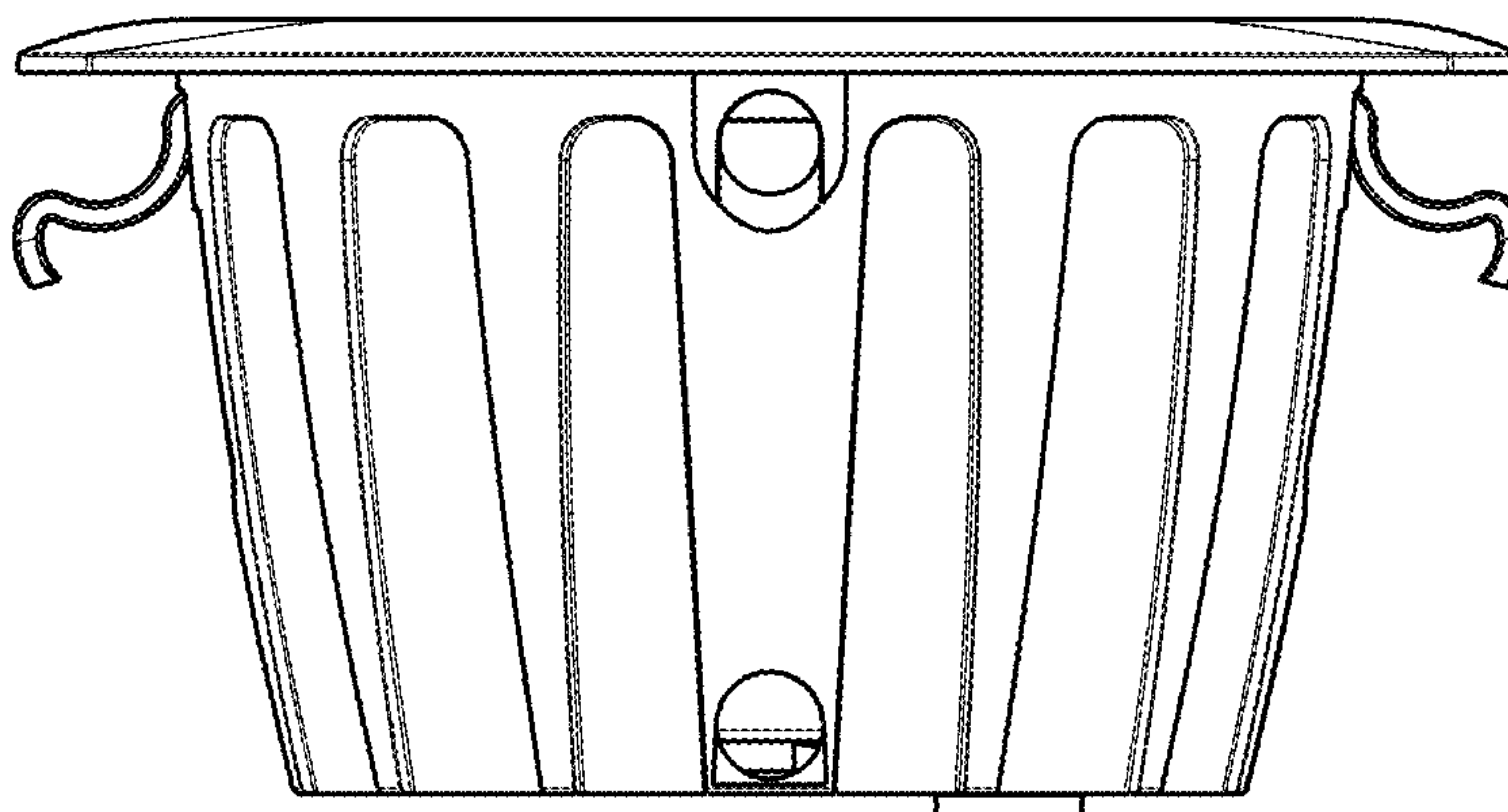


FIG. 2

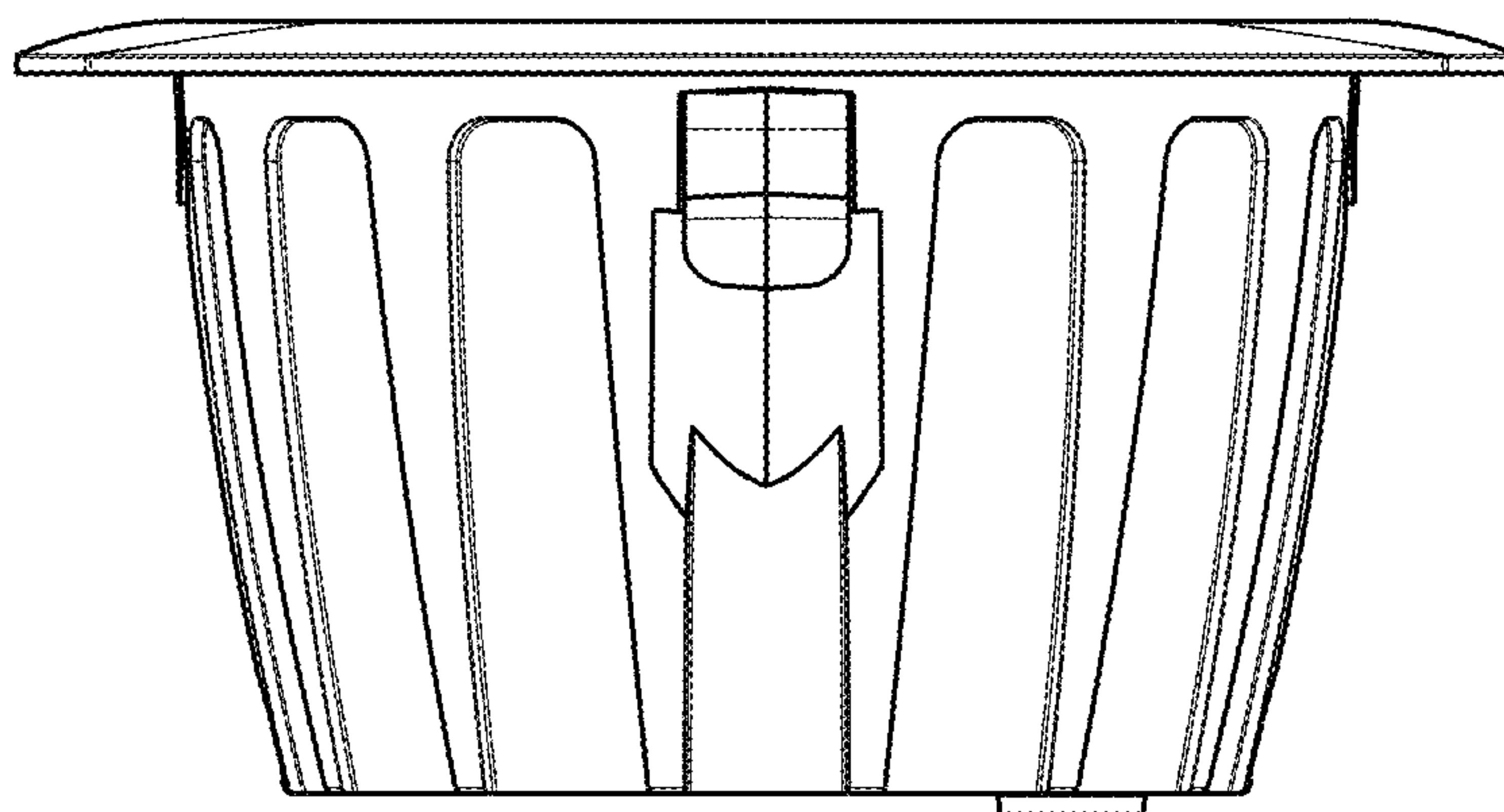


FIG. 3

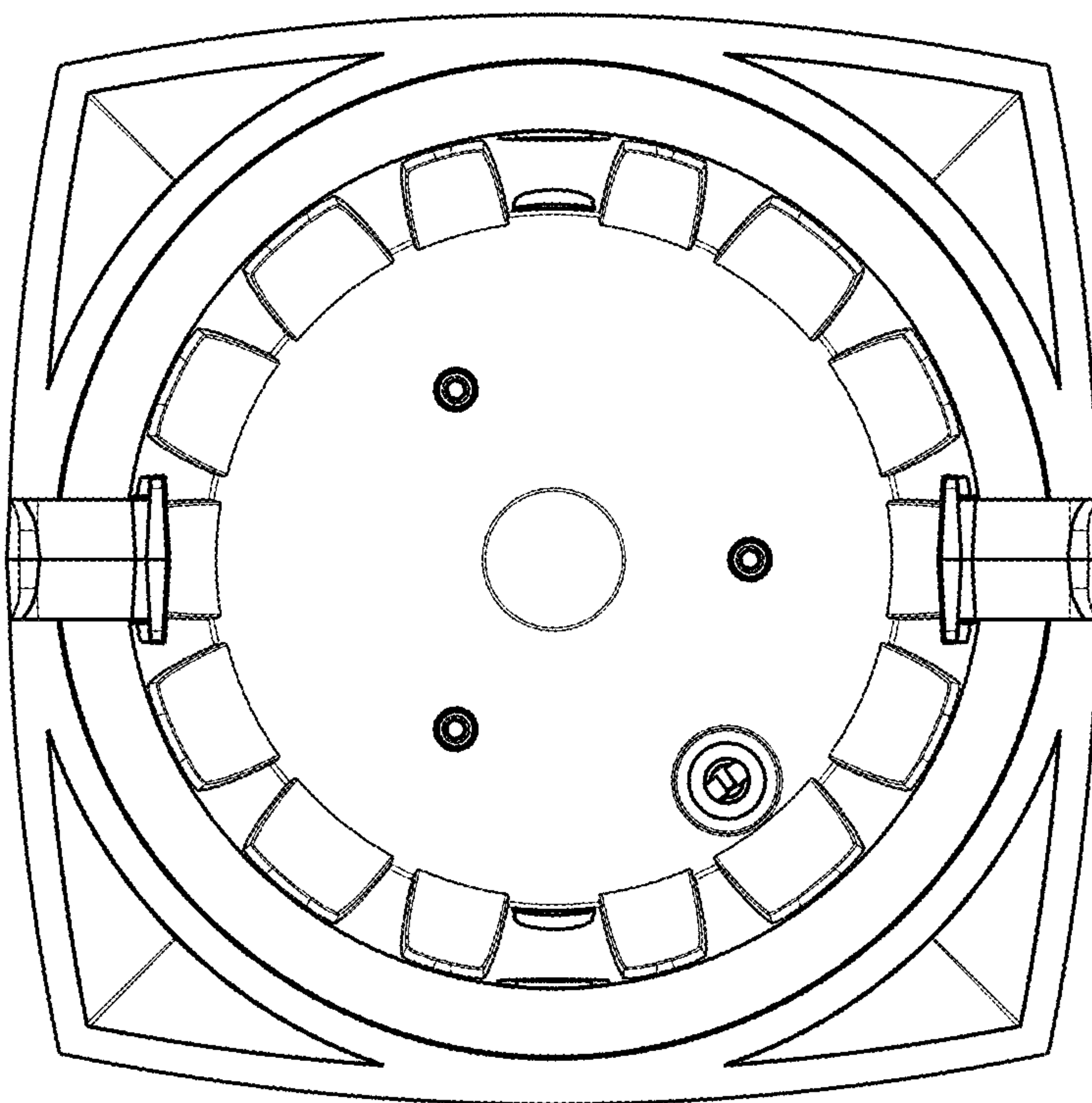


FIG. 4

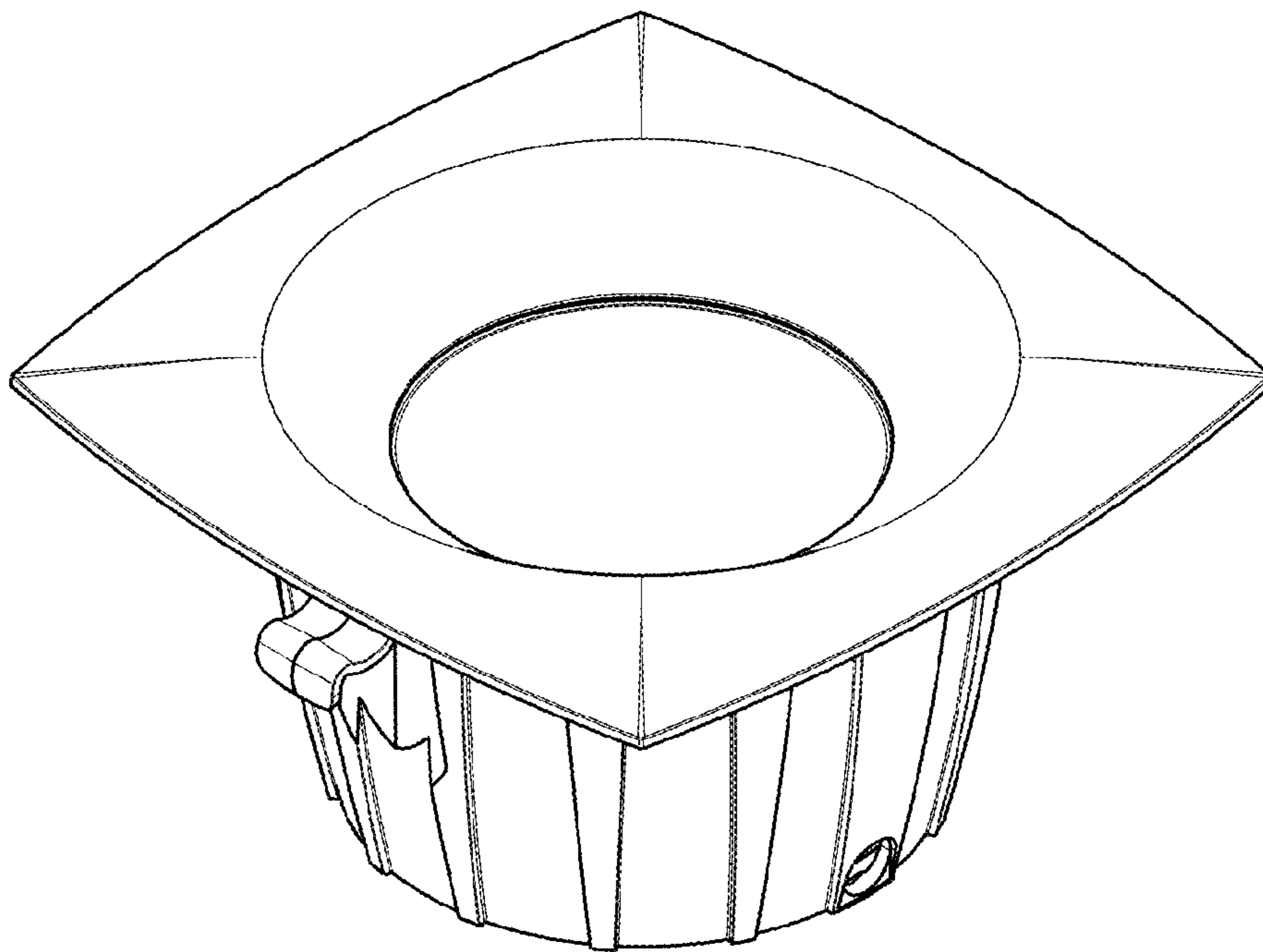


FIG. 5

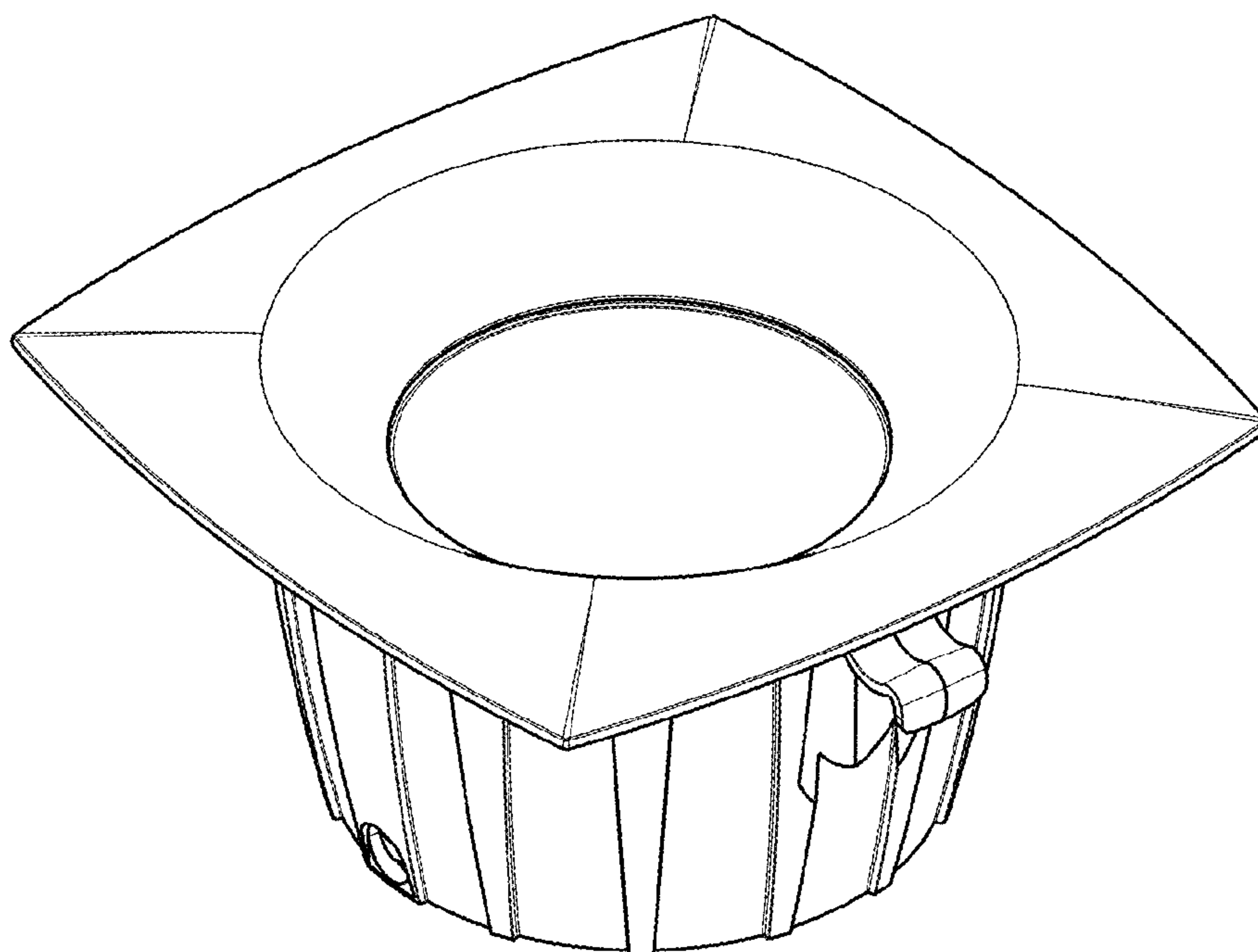


FIG. 6

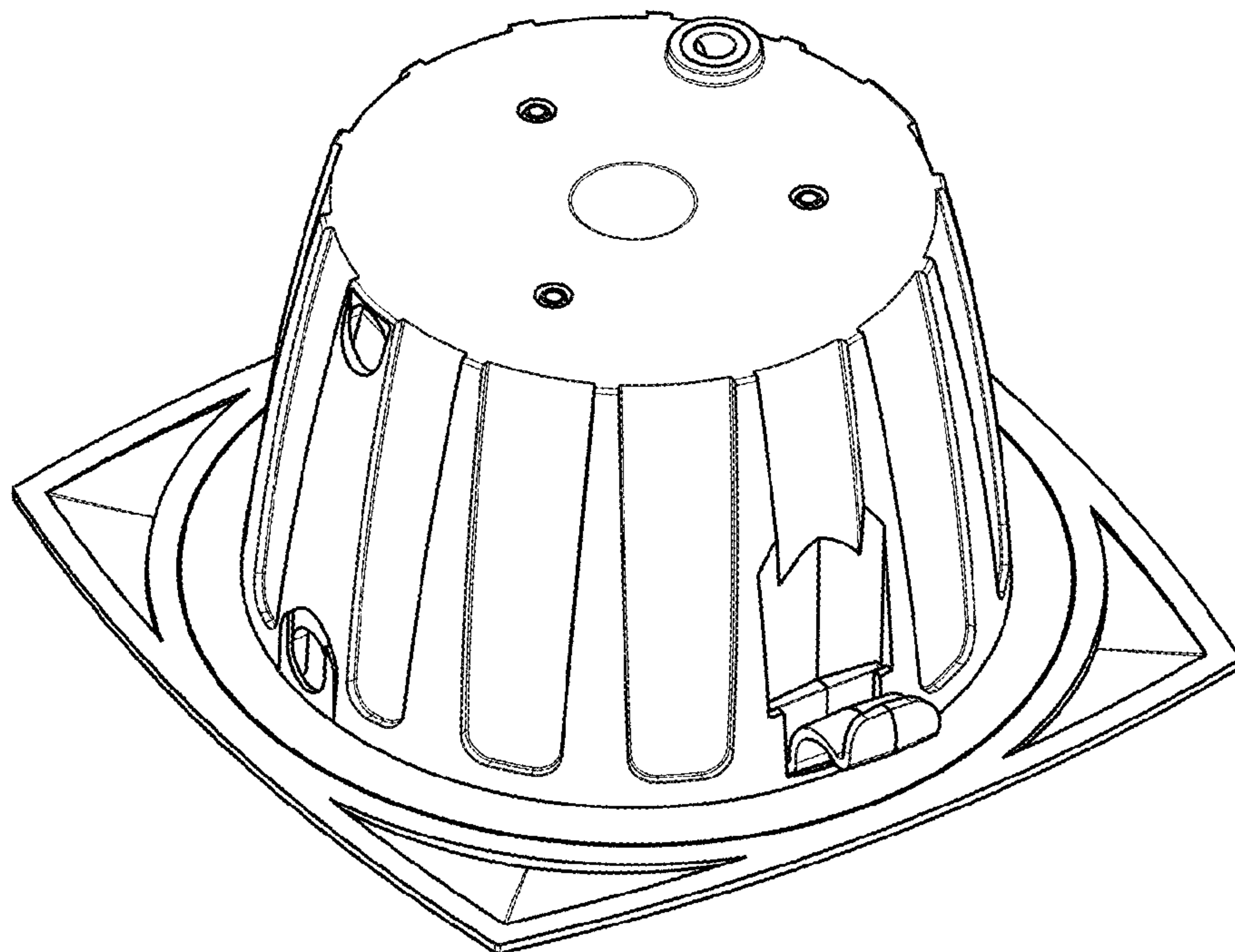


FIG. 7

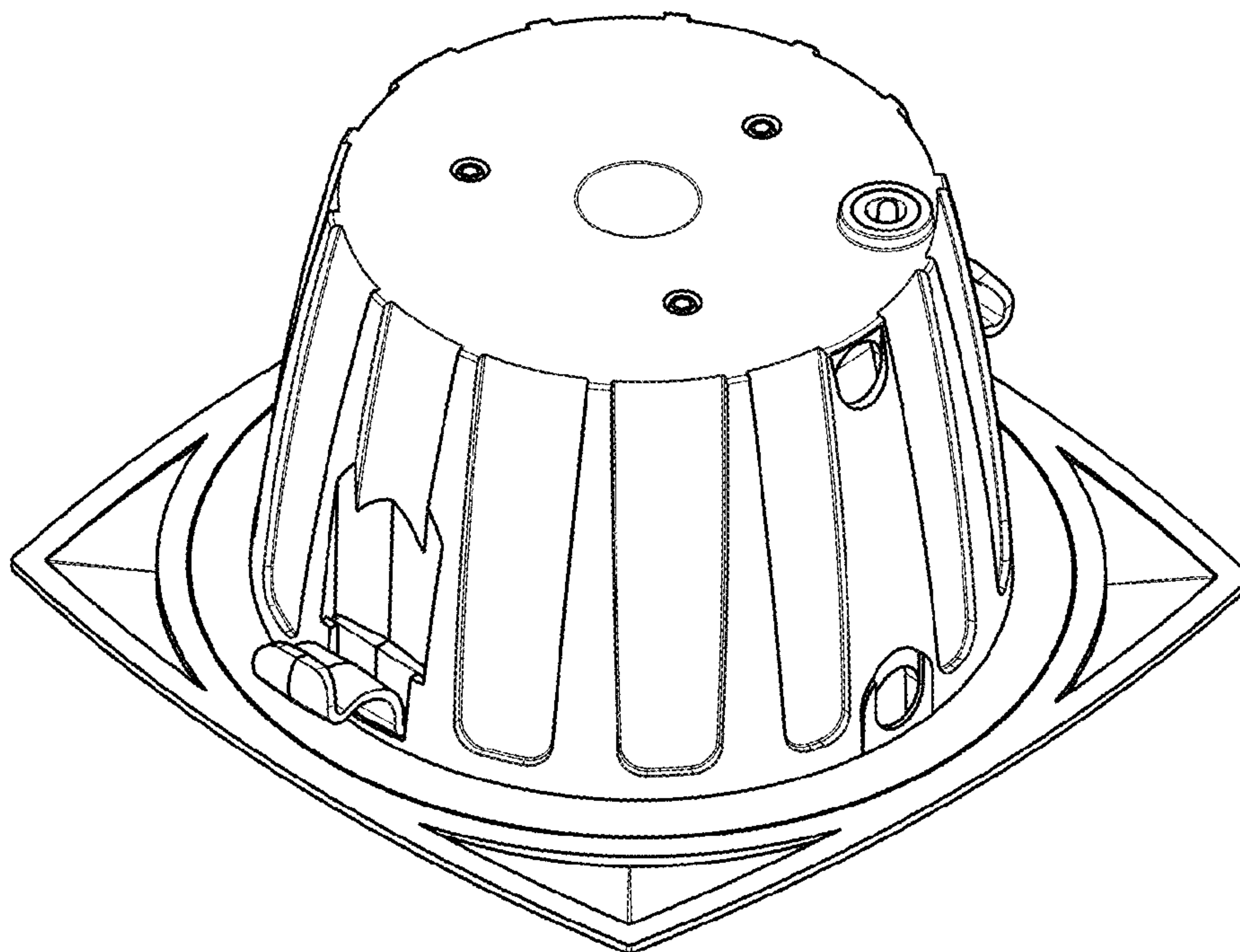


FIG. 8