



US00D681858S

(12) **United States Design Patent**
Sharrah et al.

(10) **Patent No.:** **US D681,858 S**

(45) **Date of Patent:** **** May 7, 2013**

(54) **PORTABLE LIGHT**

(75) Inventors: **Raymond L. Sharrah**, Collegeville, PA (US); **Matthew B. Dalton**, Elkins Park, PA (US)

(73) Assignee: **Streamlight, Inc.**, Eagleville, PA (US)

(**) Term: **14 Years**

(21) Appl. No.: **29/404,155**

(22) Filed: **Oct. 17, 2011**

Related U.S. Application Data

(63) Continuation of application No. 29/382,912, filed on Jan. 10, 2011, now abandoned.

(51) **LOC (9) Cl.** **26-02**

(52) **U.S. Cl.**
USPC **D26/49; D26/45**

(58) **Field of Classification Search** D26/37,
D26/38, 39, 43, 44, 46, 49; 362/157, 158,
362/184-199, 202-208

See application file for complete search history.

(56) **References Cited**

U.S. PATENT DOCUMENTS

D409,777	S	5/1999	Sharrah et al.	
6,350,040	B1	2/2002	Parker	
6,585,400	B2	7/2003	Leen	
6,633,152	B2	10/2003	Sharrah et al.	
7,172,310	B2	2/2007	Hsu	
7,229,189	B2 *	6/2007	Parker et al.	362/199
7,357,534	B2	4/2008	Snyder	
7,549,766	B2 *	6/2009	Sharrah et al.	362/205
7,731,385	B2 *	6/2010	Spartano et al.	362/197
7,871,179	B1 *	1/2011	Edgar	362/197
7,883,243	B2	2/2011	Snyder	
8,075,156	B2 *	12/2011	Steele et al.	362/191

(Continued)

OTHER PUBLICATIONS

Stuart Schneider, "Collecting Flashlights with Value Guide", Copyright © 1996, pp. cover, 18, 21, 30, 41, 42, 46, 78, 91, 101, 117, 129, 139, 151, and 156; Schiffer Publishing Ltd., Atglen, Pennsylvania, USA.

(Continued)

Primary Examiner — Ian Simmons

Assistant Examiner — Carissa C Fitts

(74) *Attorney, Agent, or Firm* — Clement A. Berard, Esq.; Dann, Dorfman, Herrell & Skillman, PC

(57) **CLAIM**

The ornamental design for a portable light, substantially as shown and described.

DESCRIPTION

FIG. 1 is a perspective view of an ornamental design for a portable light;

FIG. 2 is a second perspective view of the ornamental design;

FIG. 3 is a side view of a first side of the ornamental design;

FIG. 4 is a side view of a second side of the ornamental design;

FIG. 5 is a side view of a third side of the ornamental design;

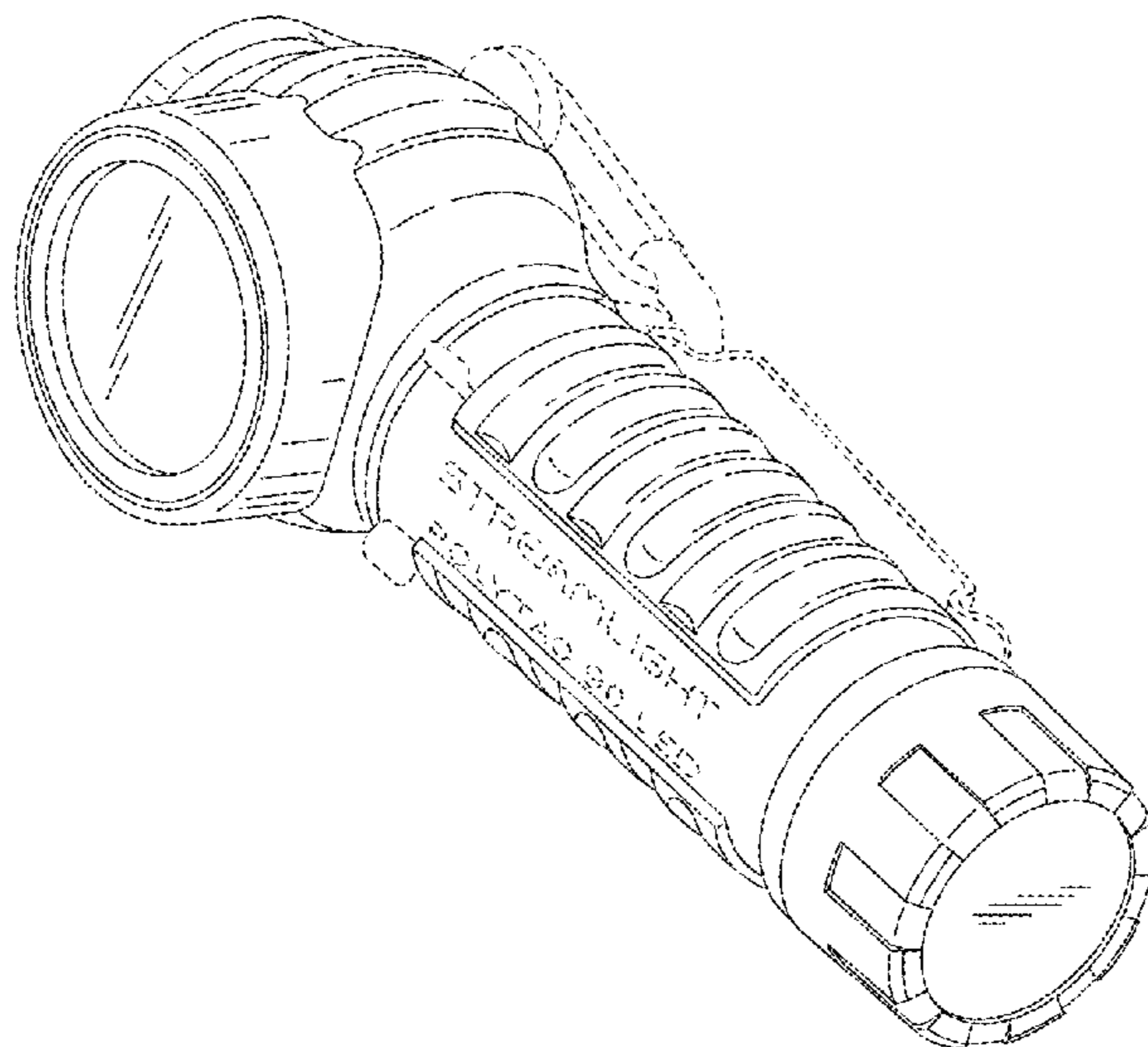
FIG. 6 is a side view of a fourth side of the ornamental design;

FIG. 7 is an end view of a first end of the ornamental design; and,

FIG. 8 is an end view of a second end of the ornamental design.

Broken lines in the illustrations of the drawing indicate unclaimed parts of the article that are not part of the design illustrated herein.

1 Claim, 3 Drawing Sheets



U.S. PATENT DOCUMENTS

8,113,681 B2 * 2/2012 Dallas et al. 362/184
 2006/0039139 A1 2/2006 Maglica
 2007/0058366 A1 3/2007 West
 2010/0033972 A1 2/2010 Maglica
 2010/0176750 A1 7/2010 West
 2010/0271814 A1 10/2010 Messinger et al.

OTHER PUBLICATIONS

Reid Supply Company, "Rayovac Industrial Flashlight, w/PR2 Bulb and Ring Hanger", printed Apr. 11, 2011, 1 page, <http://www.reidsupply.com/printdetail.aspx?itm=180239>.
 FlashlightMuseum.com, "Eveready "Sport Gear" Yellow Florescent Lantern with Ring Hanger", printed Apr. 11, 2011, 2 pages, <http://www.flashlightmuseum.com/Eveready-flashlight-f415-Sport-gear-yellow>
 Amazon.com, "Rayovac 3D Industrial Yellow Flashlight with Ring Hanger", printed Apr. 11, 2011, 5 pages.
 Aqua-Air Industries, "Picture of LaserFlex™ 2D", prior to Jan. 10, 2011, 1 page.
 LED Work Light, "Ultimate Technician's Work Light", © 2010, printed Feb. 8, 2011, 2 pages.
 Goodmart.com, "Rayovac 2AA Industrial Swivel light with heavy duty batteries", printed Feb. 8, 2011, 1 page.
 Rayovac, "Black & Decker Lights", including "2AA Swivel Head Work Light", "2AA Work Light", "2D Swivel Head Work Light",

"Flex360 LED Clamp Light", "LED Clip Flashlight", and "LED Pocket Flex Light", www.rayovac.com/en/products/lights . . . , printed Feb. 8, 2011, 8 pages.
 Pelican Products, "Big Ed 3700 Photoluminescent Flashlight", printed Jul. 22, 2010, 1 page, http://www.pelican.com/lights_detail_print.php?recordID=3700PL.
 Getflashlights.com, "Energizer-Eveready Flashlights", printed May 20, 2010, 5 pages, http://www.getflashlights.com/energizer_eveready
 Streamlight, Inc., "Survivor Series", © 2010, 4 pages, www.streamlight.com.
 Adaro Tecnologia, SA, "Adalit L2000" web page and pages from brochure, <http://www.adalites/EN/HAdalitL2000EN.html>, Publicacion No. EP-DA-8/1, Emision: Agosto/ 06. Rev.0, printed Apr. 18, 2011, 2 pages.
 Adaro Tecnologia, SA, "Adalit L2000-L/LB Safety Rechargeable Torch User Instructions", Publicacion No. EP-DA-8/3, Emision: Enero 08. Rev.3, date: Jul. 24, 2006, 16 pages.
 Rayovac, "Sportsman 2AA Swivel-Lite pictures", object prior to Feb. 8, 2011 (photos taken Jun. 2011), 6 pages.
 Rayovac, "Rayovac light pictures", object prior to Feb. 8, 2011 (photos taken Jun. 2011), 4 pg.
 Rayovac, "Swivel-Lite pictures", ca. 1996 (photos taken Jun. 2011), 4 pages.

* cited by examiner

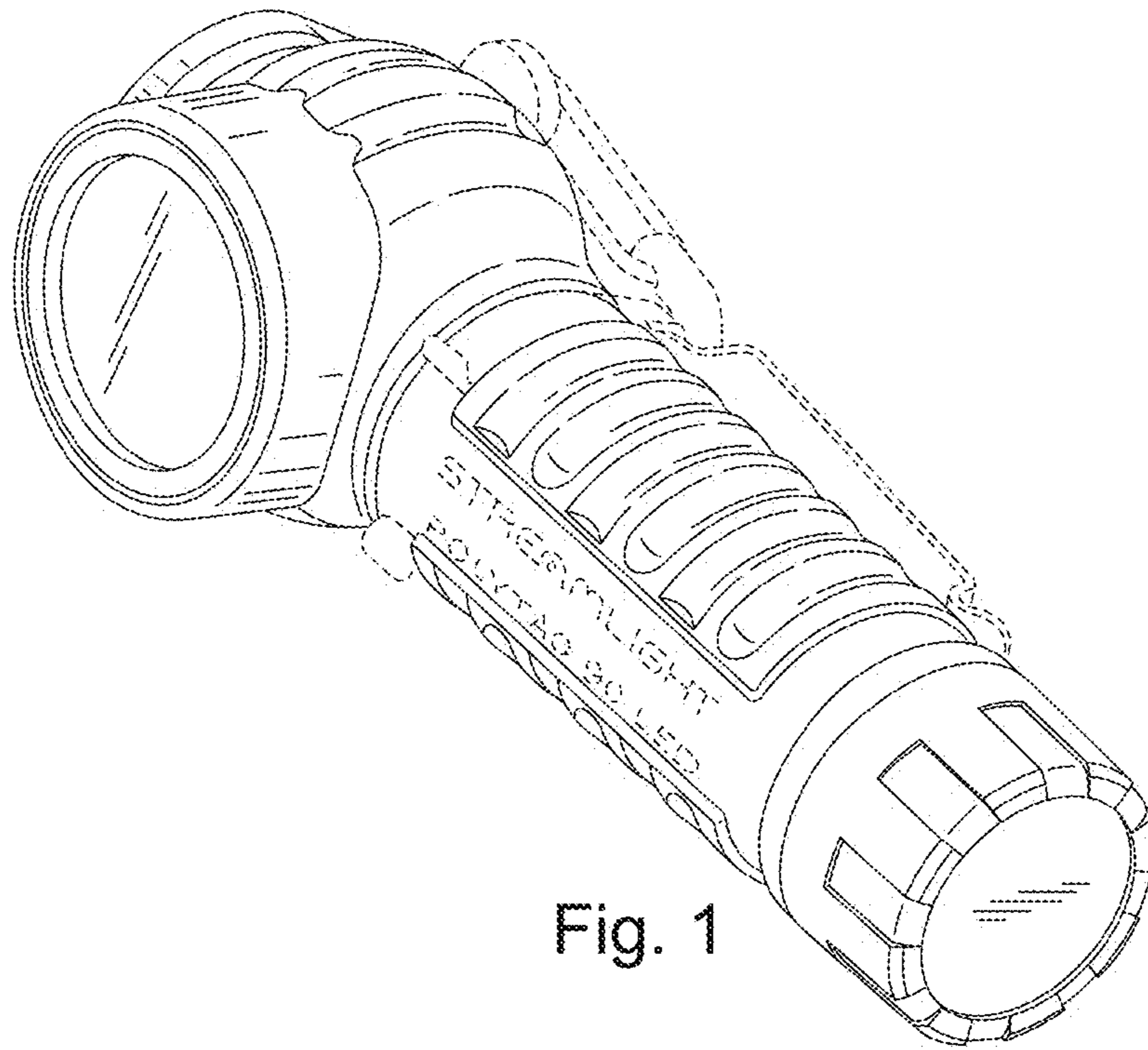


Fig. 1

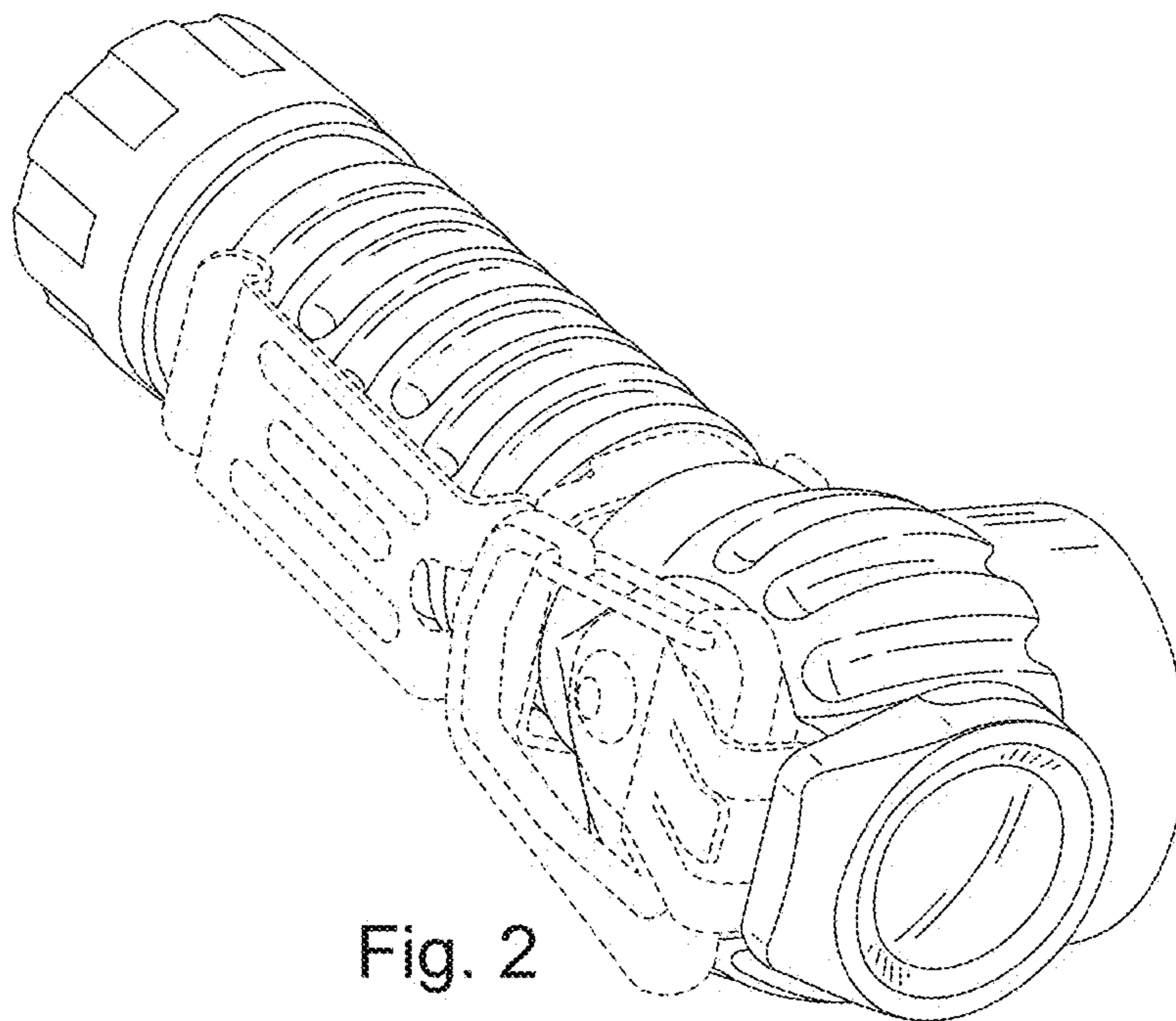


Fig. 2

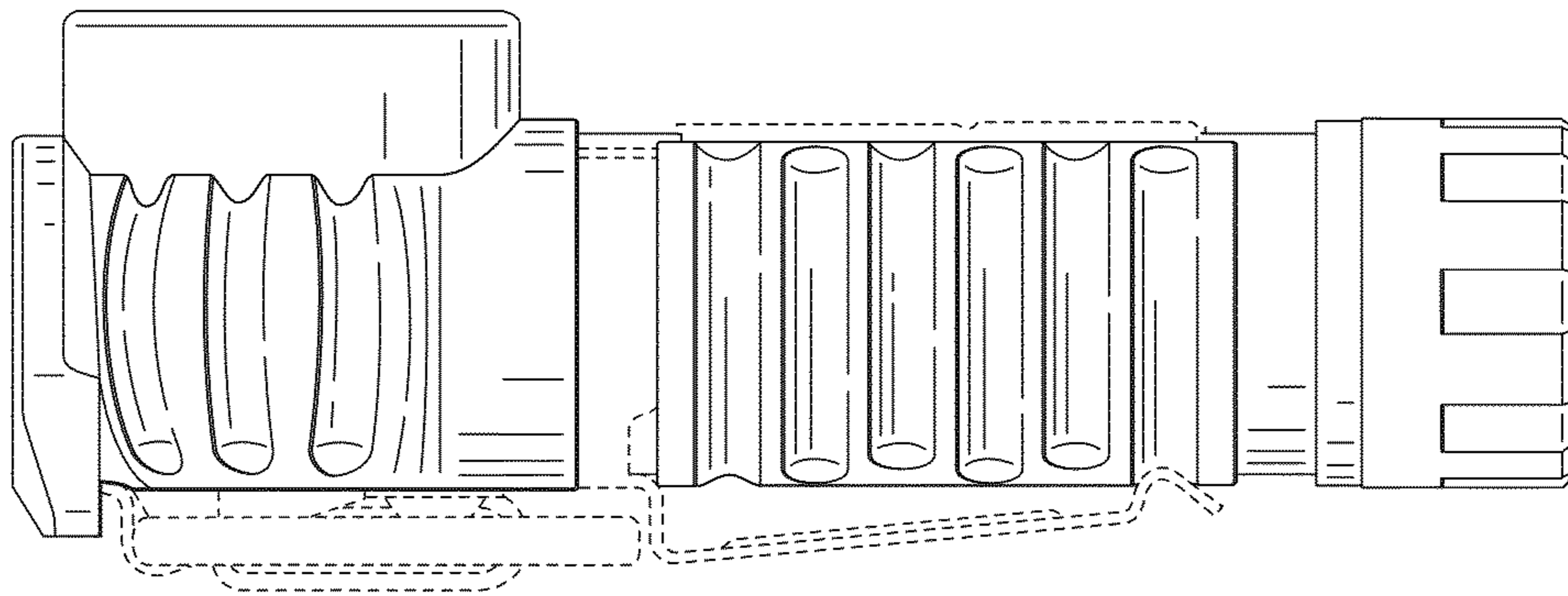


Fig. 3

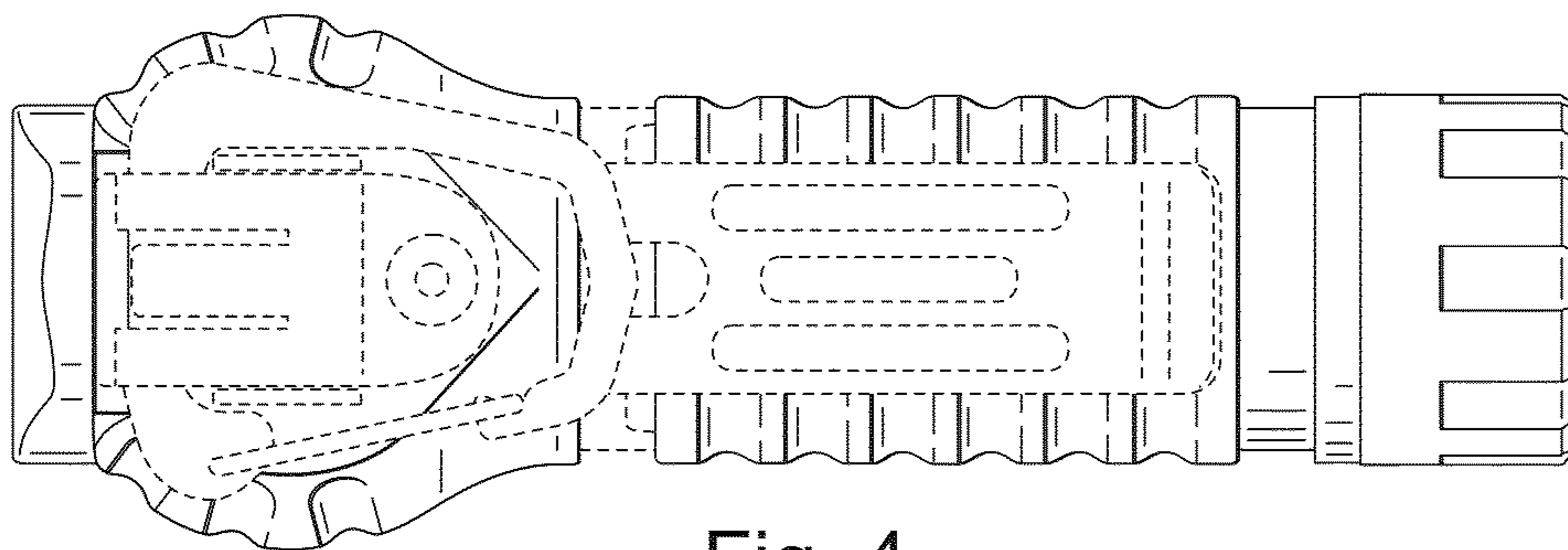


Fig. 4

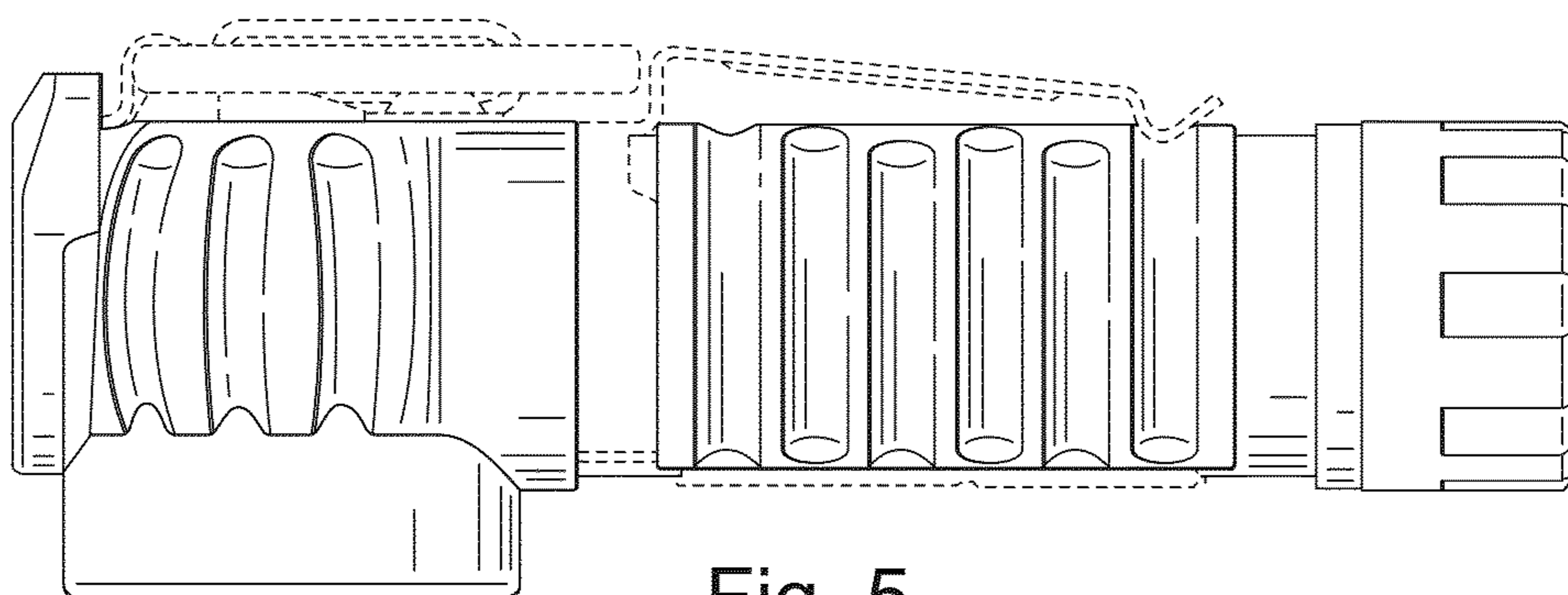


Fig. 5

