



US00D681855S

(12) **United States Design Patent**  
**Colborne**

(10) **Patent No.:** **US D681,855 S**

(45) **Date of Patent:** **\*\* May 7, 2013**

(54) **VEHICLE TAILLIGHT**

(75) **Inventor:** **Guy Colborne**, Littlehampton (GB)

(73) **Assignee:** **Ford Global Technologies, LLC**,  
Dearborn, MI (US)

(\*\*) **Term:** **14 Years**

(21) **Appl. No.:** **29/409,801**

(22) **Filed:** **Dec. 29, 2011**

(51) **LOC (9) Cl.** ..... **26-06**

(52) **U.S. Cl.**  
USPC ..... **D26/28**

(58) **Field of Classification Search** ..... D26/28-36;  
362/459-468, 475-478, 485-487  
See application file for complete search history.

(56) **References Cited**

U.S. PATENT DOCUMENTS

D550,380 S \* 9/2007 Lin ..... D26/28  
D552,769 S \* 10/2007 Leclercq ..... D26/28  
D565,211 S \* 3/2008 Haller et al. .... D26/28

D595,879 S 7/2009 Lamm  
D598,587 S 8/2009 Lamm  
D602,616 S \* 10/2009 Okamura et al. .... D26/28  
D605,793 S \* 12/2009 Weil ..... D26/28

\* cited by examiner

*Primary Examiner* — Marcus Jackson

(74) *Attorney, Agent, or Firm* — Damian Porcari

(57) **CLAIM**

The ornamental design for a vehicle taillight, as shown and described.

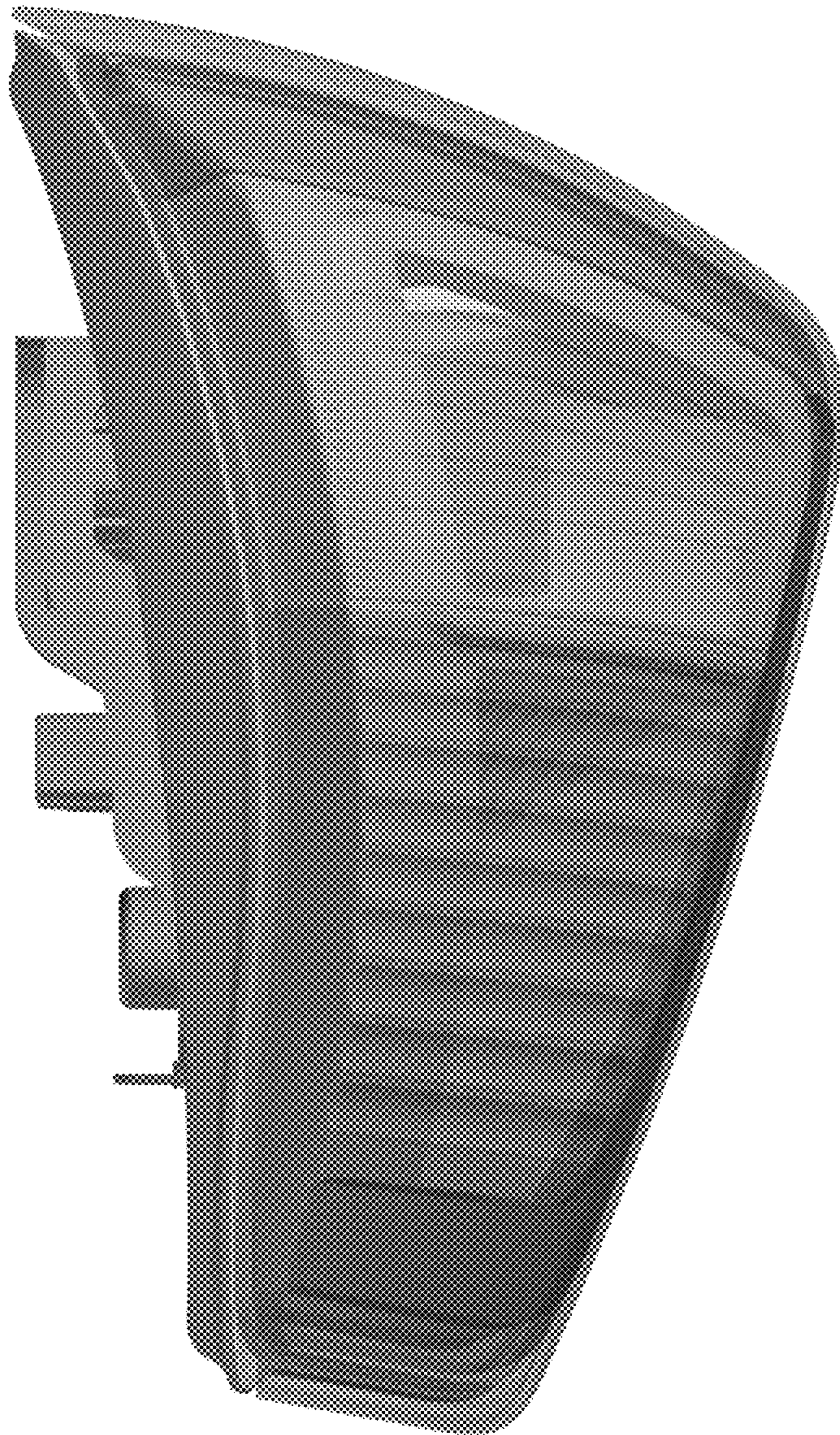
**DESCRIPTION**

FIG. 1 is a left side elevational view of a left vehicle taillight (the right vehicle taillight being a mirror image and is not shown);

FIG. 2 is a right side elevational view of the vehicle taillight;  
FIG. 3 is a front elevational view of the vehicle taillight;  
FIG. 4 is a top plan view of the vehicle taillight;  
FIG. 5 is a bottom plan view of the vehicle taillight;  
FIG. 6 is a perspective view of the vehicle taillight; and,  
FIG. 7 is another perspective view of the vehicle taillight.

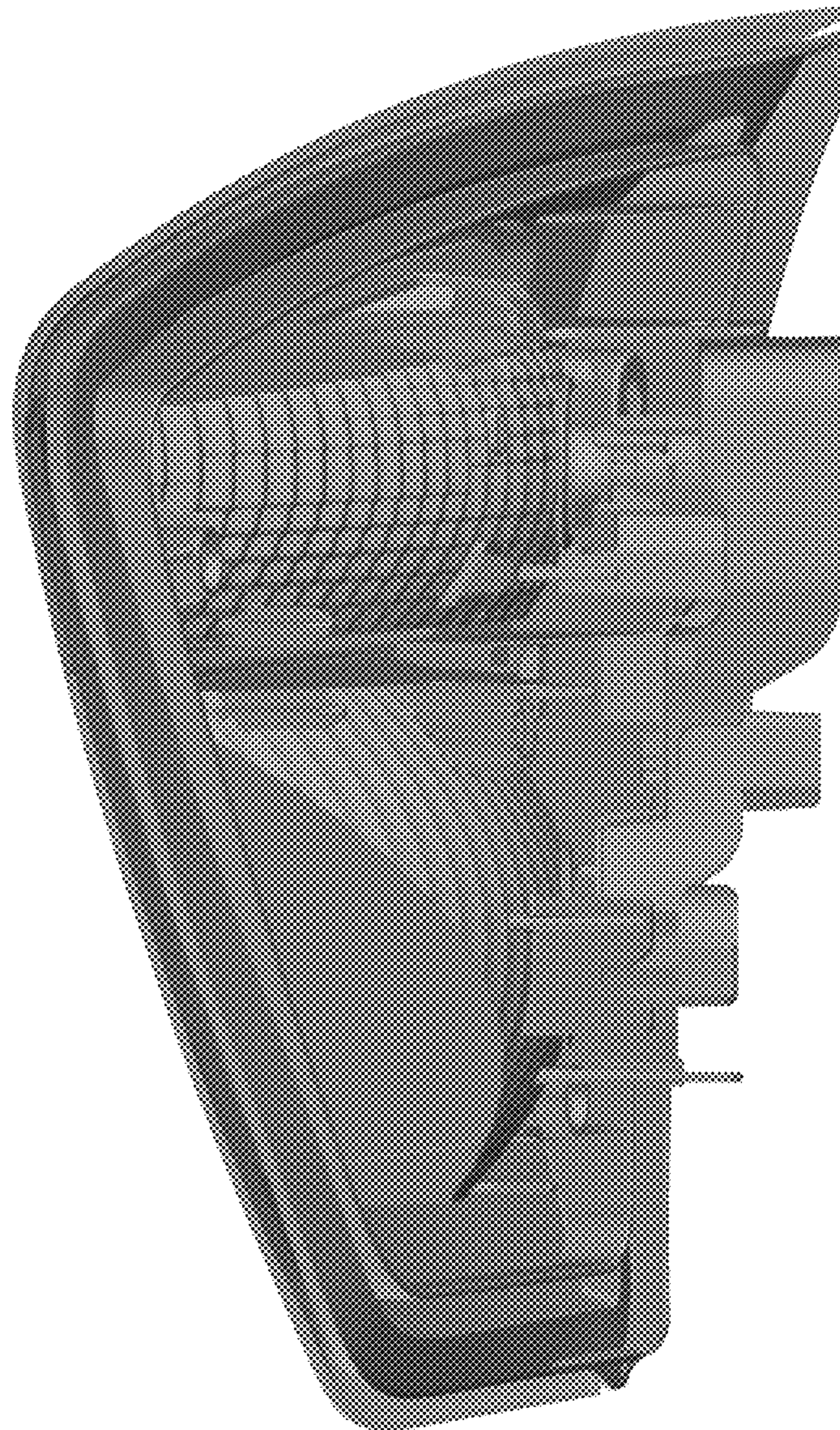
**1 Claim, 7 Drawing Sheets**

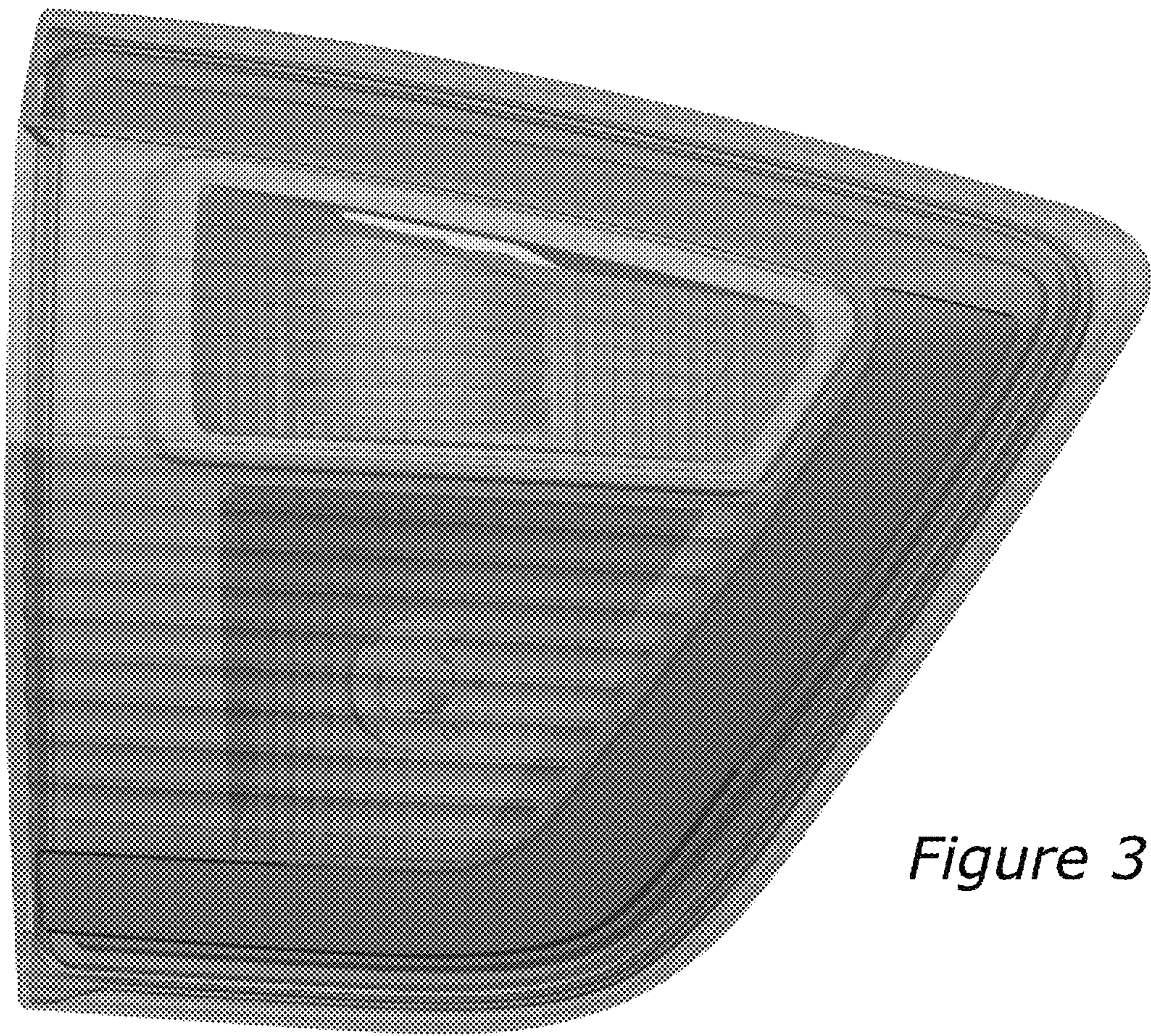




*Figure 1*

*Figure 2*





*Figure 3*

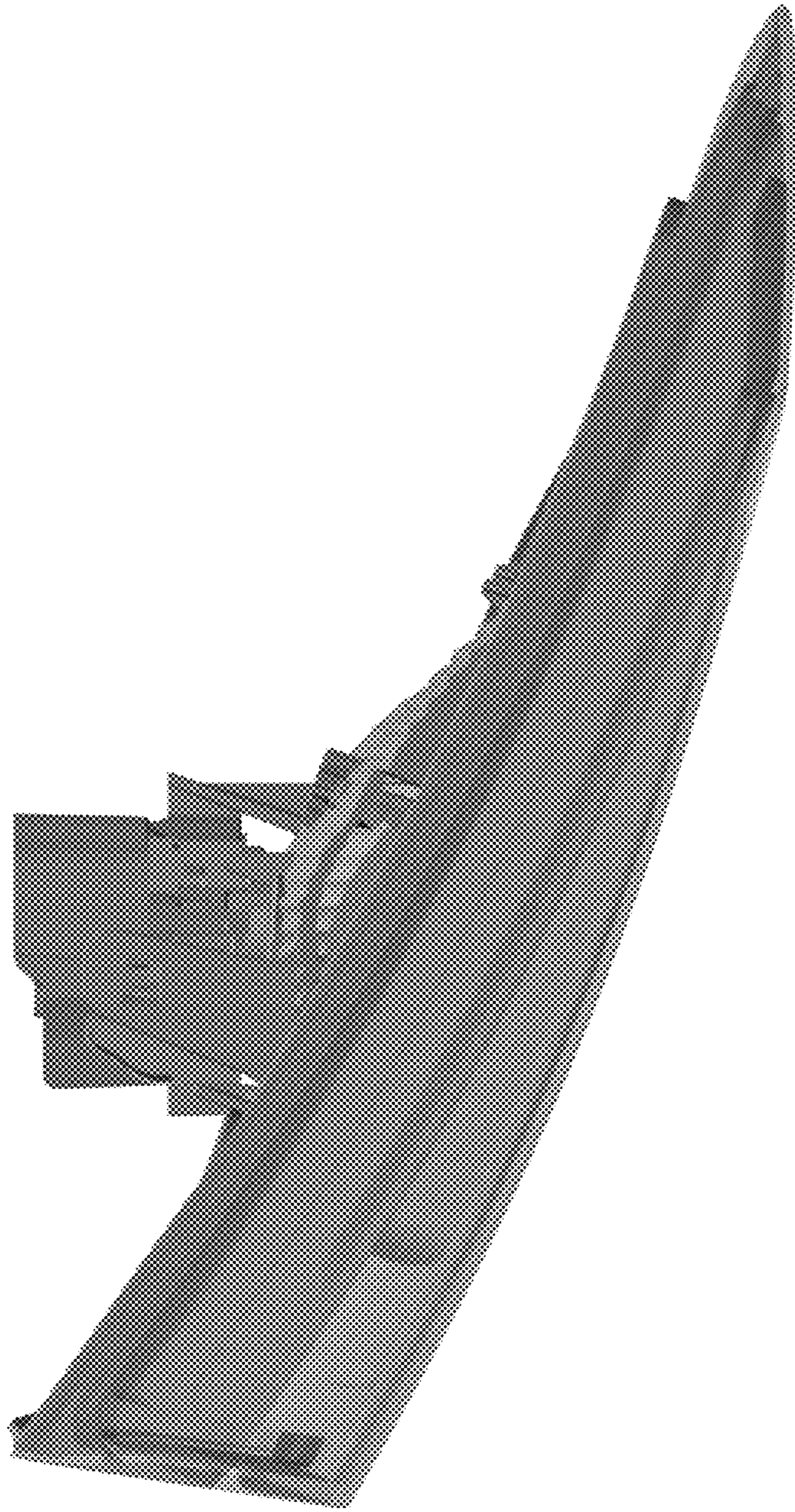
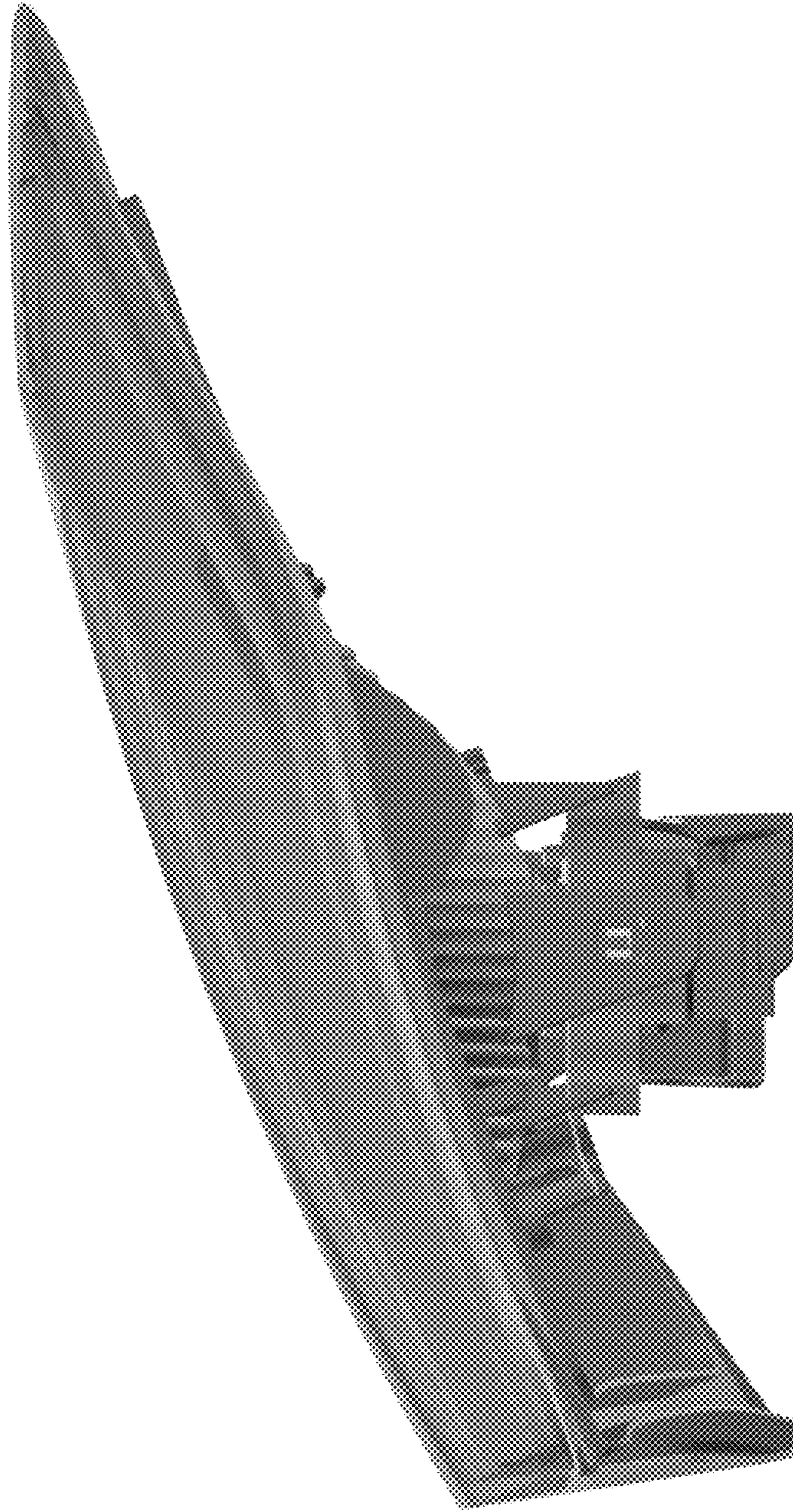


Figure 4

Figure 5



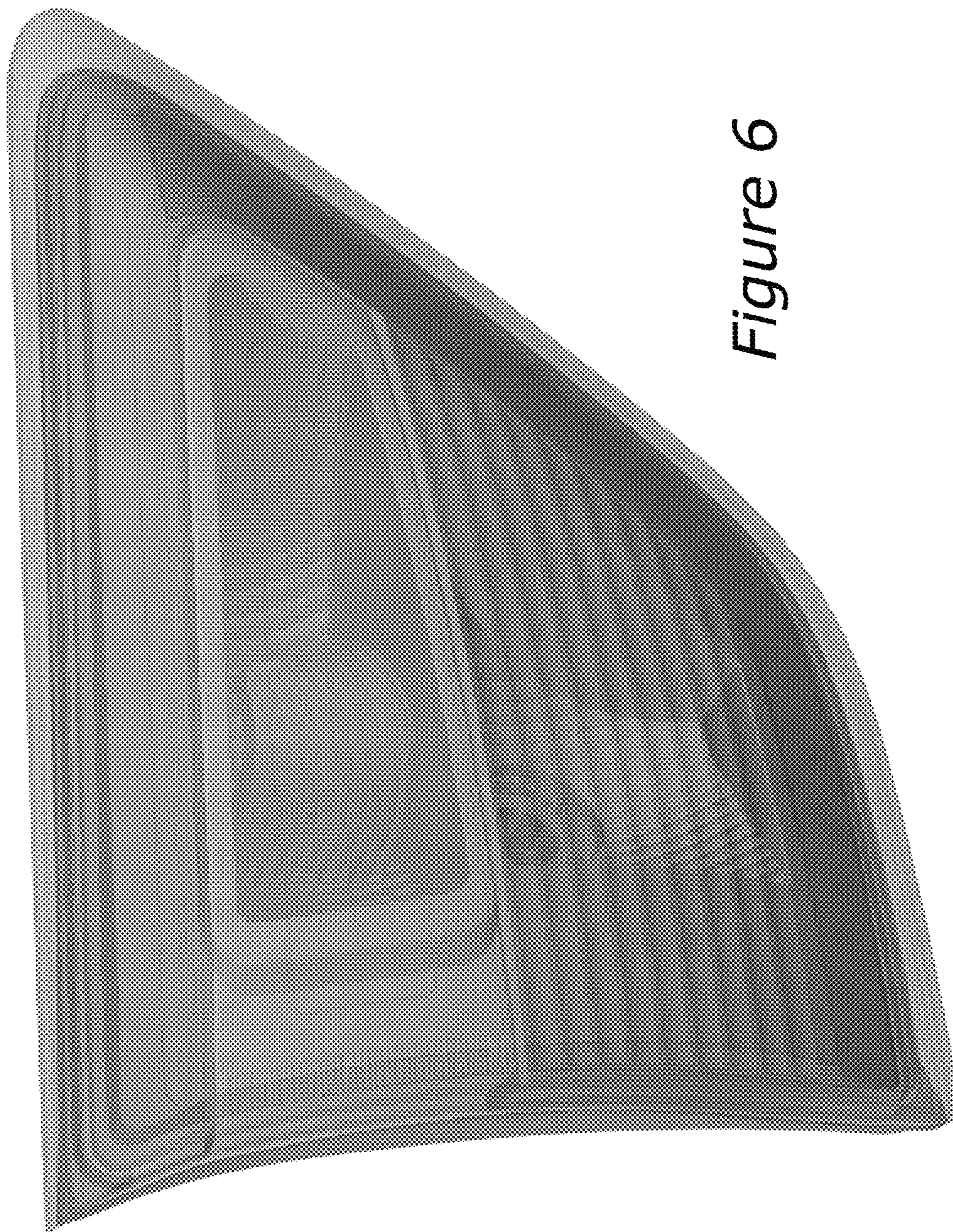


Figure 6



*Figure 7*