



US00D681854S

(12) **United States Design Patent**  
**Colborne**

(10) **Patent No.:** **US D681,854 S**

(45) **Date of Patent:** **\*\* May 7, 2013**

(54) **VEHICLE HEADLIGHT**

(75) Inventor: **Guy Colborne**, Littlehampton (GB)

(73) Assignee: **Ford Global Technologies, LLC**,  
Dearborn, MI (US)

(\*\*) Term: **14 Years**

(21) Appl. No.: **29/409,792**

(22) Filed: **Dec. 29, 2011**

(51) **LOC (9) Cl.** ..... **26-06**

(52) **U.S. Cl.**  
USPC ..... **D26/28**

(58) **Field of Classification Search** ..... D26/28-36;  
362/459-468, 475-478, 485-487  
See application file for complete search history.

(56) **References Cited**

**U.S. PATENT DOCUMENTS**

D538,956 S *	3/2007	Ishii	.....	D26/28
D542,442 S *	5/2007	Matsunami	.....	D26/28
D544,614 S *	6/2007	Markefka	.....	D26/28
D549,855 S *	8/2007	Moisy et al.	.....	D26/28

D556,349 S *	11/2007	Golden et al.	.....	D26/28
D561,358 S *	2/2008	Tachibana	.....	D26/28
D595,878 S	7/2009	Lamm		
D635,694 S *	4/2011	Yang et al.	.....	D26/28

\* cited by examiner

*Primary Examiner* — Marcus Jackson

(74) *Attorney, Agent, or Firm* — Damian Porcari

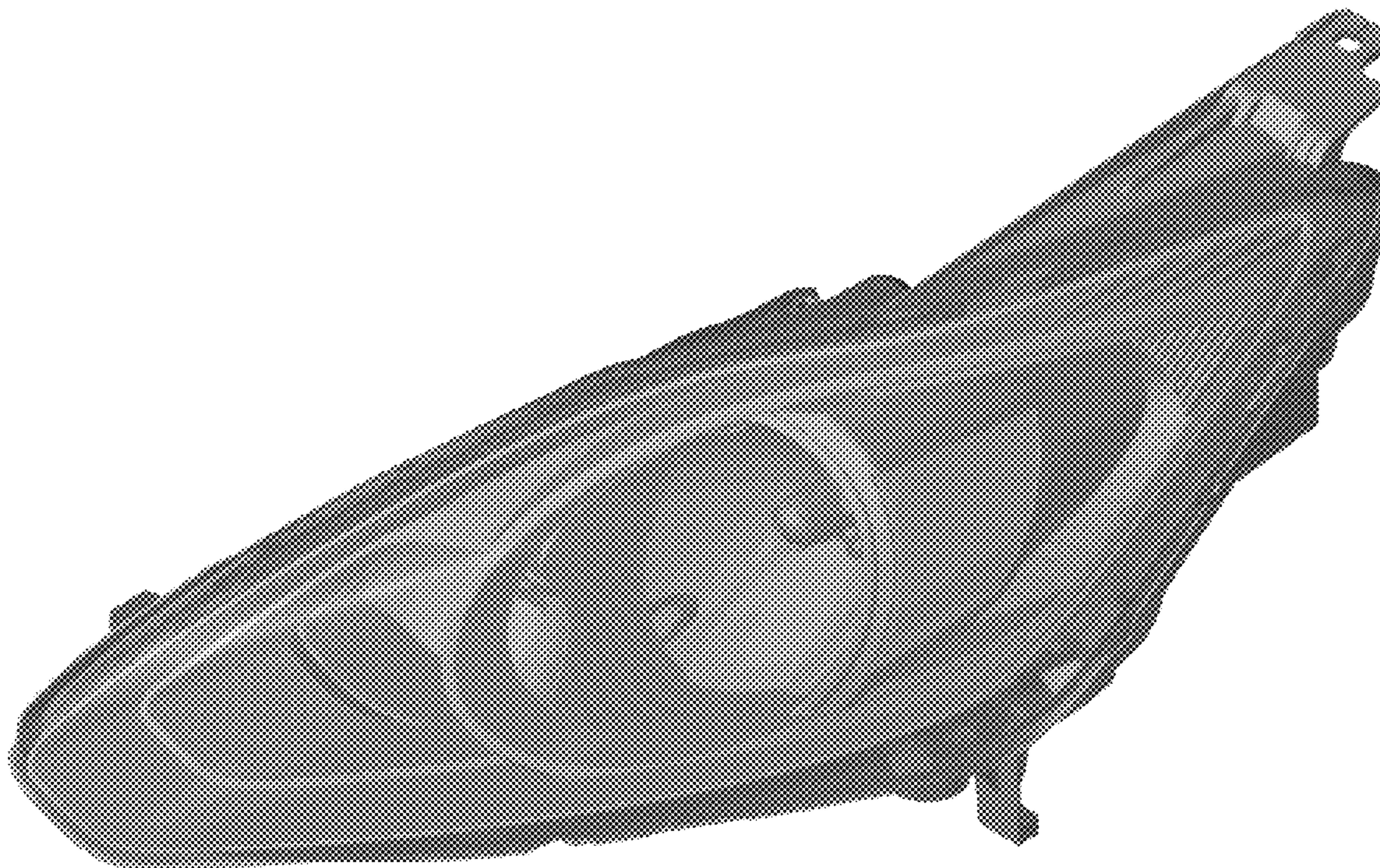
(57) **CLAIM**

The ornamental design for a vehicle headlight, as shown and described.

**DESCRIPTION**

FIG. 1 is a left side elevational view of a left vehicle headlight (the right vehicle headlight being a mirror image and is not shown);  
FIG. 2 is a right side elevational view of the vehicle headlight;  
FIG. 3 is a front elevational view of the vehicle headlight;  
FIG. 4 is a top plan view of the vehicle headlight;  
FIG. 5 is a bottom plan view of the vehicle headlight;  
FIG. 6 is a perspective view of the vehicle headlight; and,  
FIG. 7 is another perspective view of the vehicle headlight.

**1 Claim, 7 Drawing Sheets**





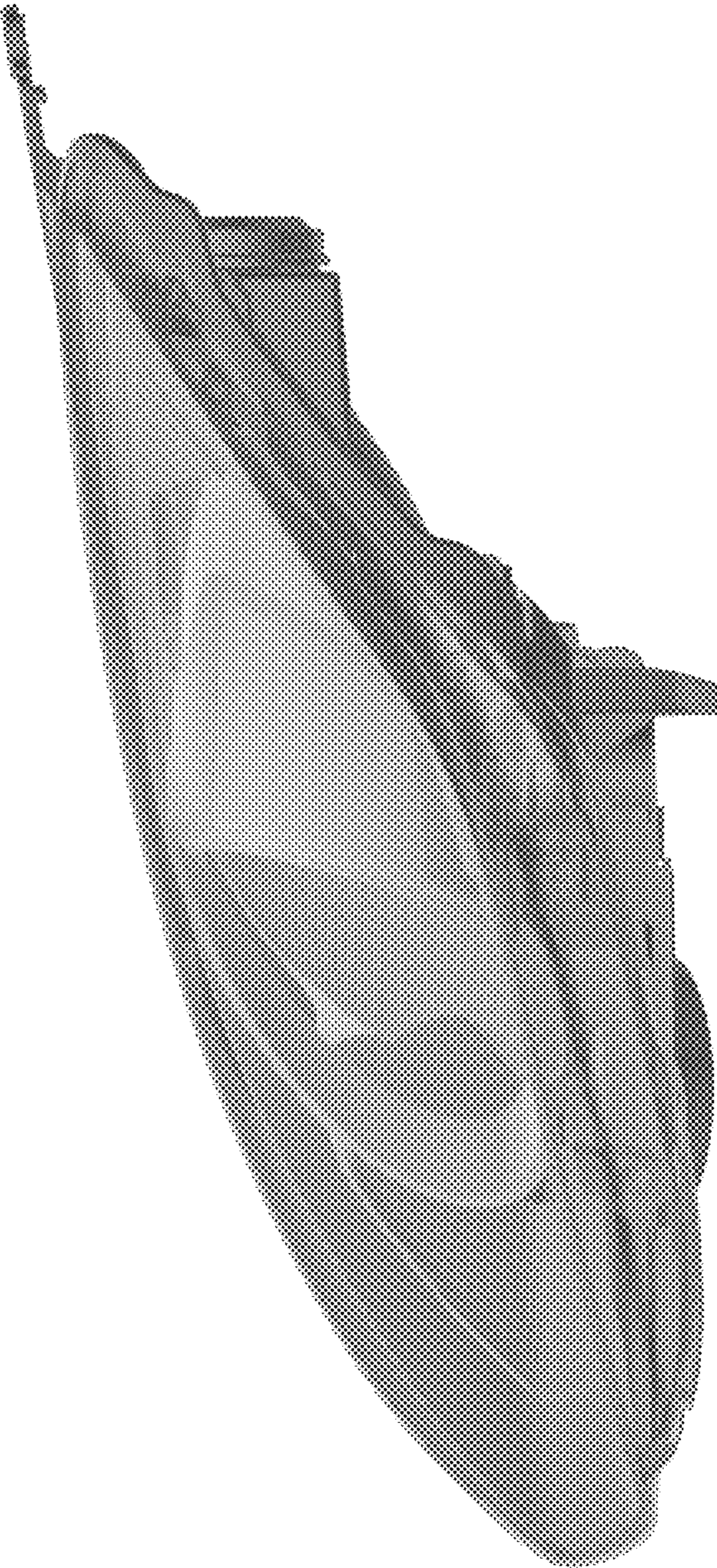
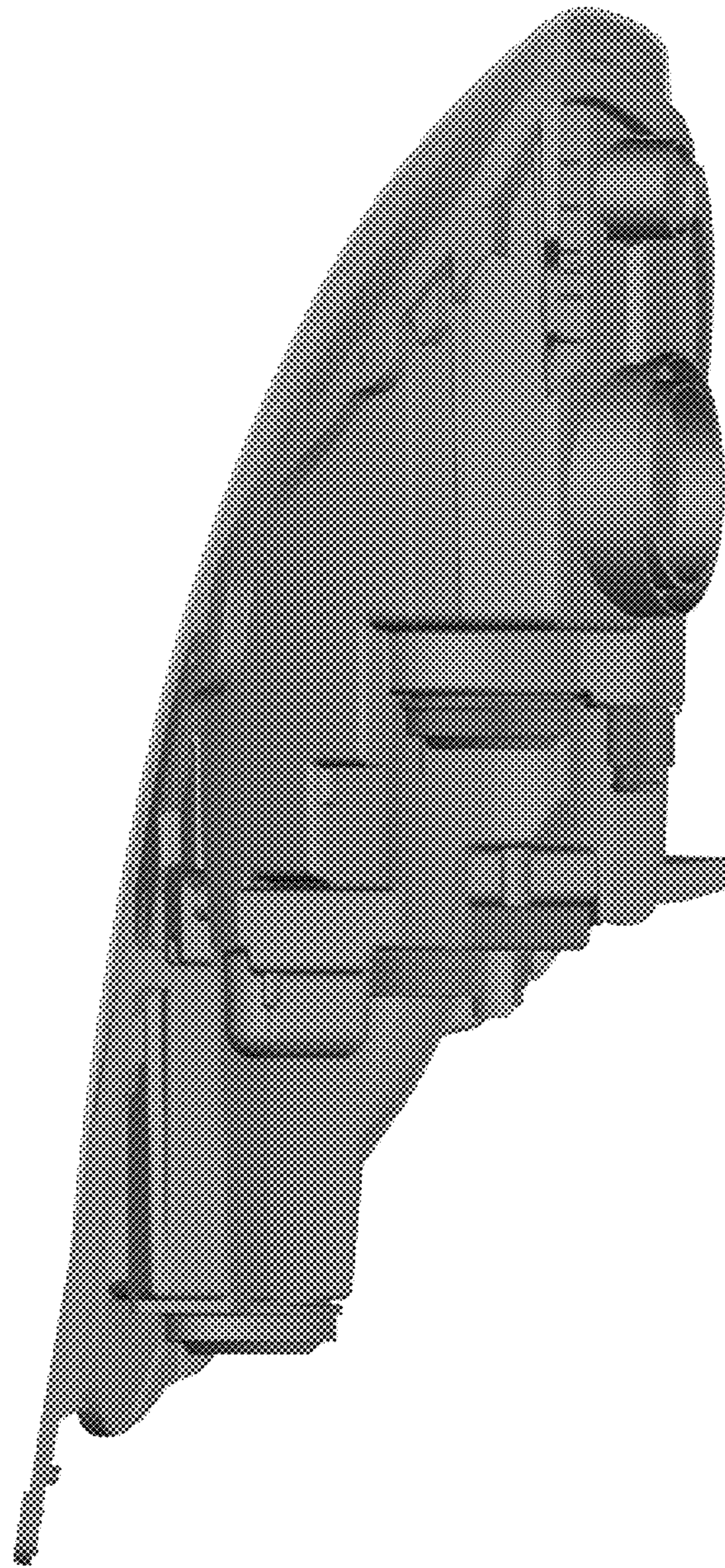


Figure 1



*Figure 2*



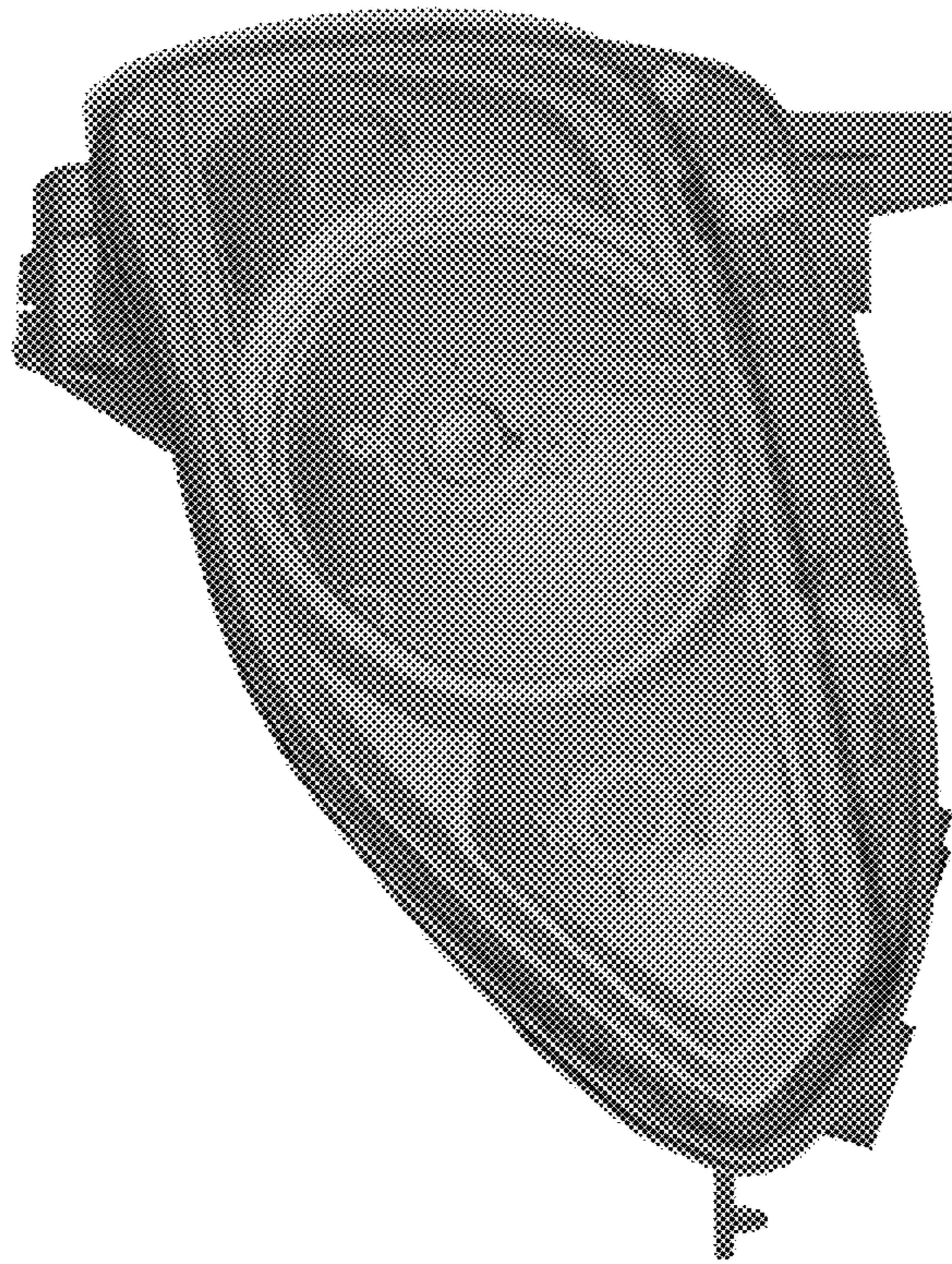


Figure 3

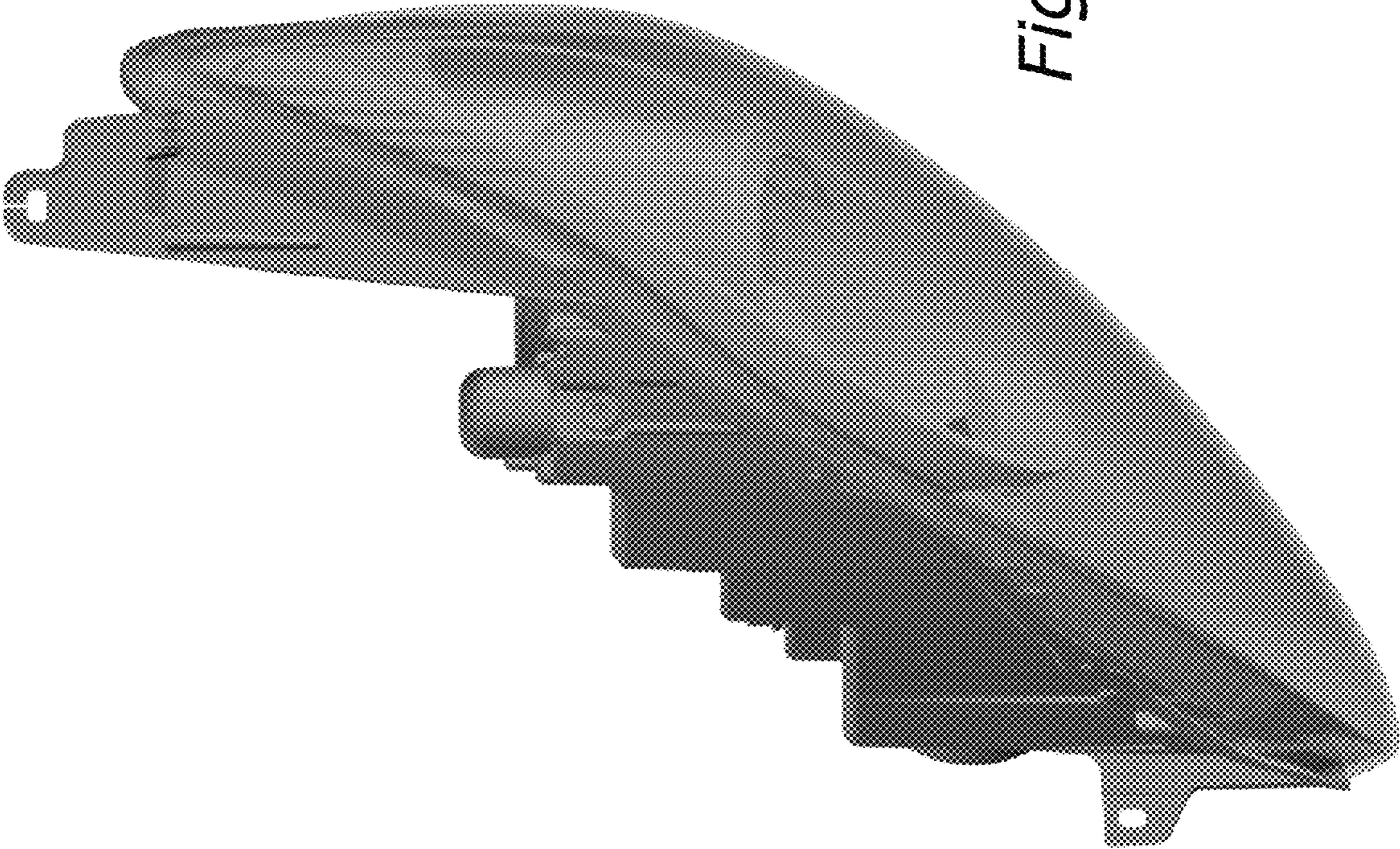
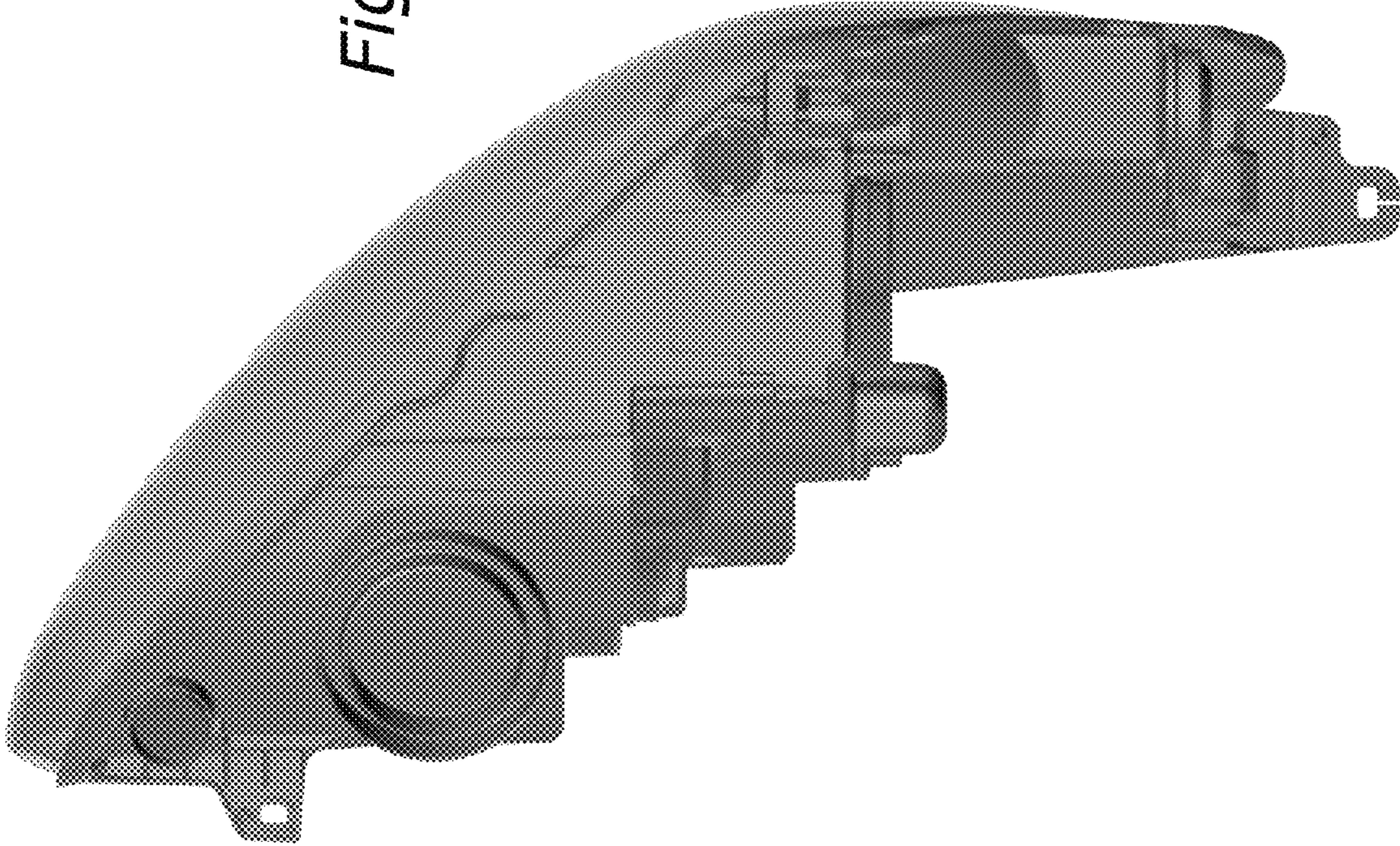


Figure 4



Figure 5



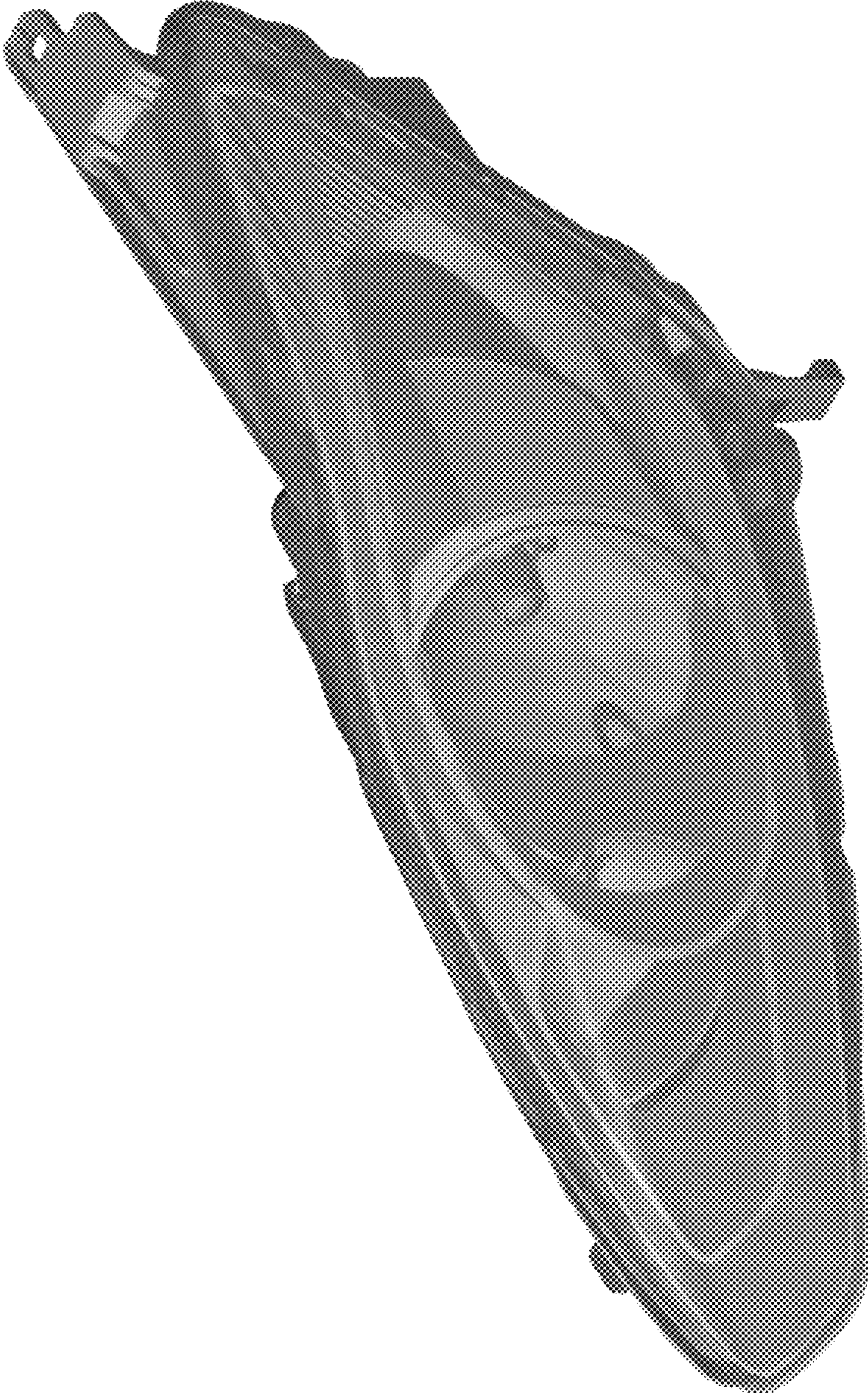


Figure 6



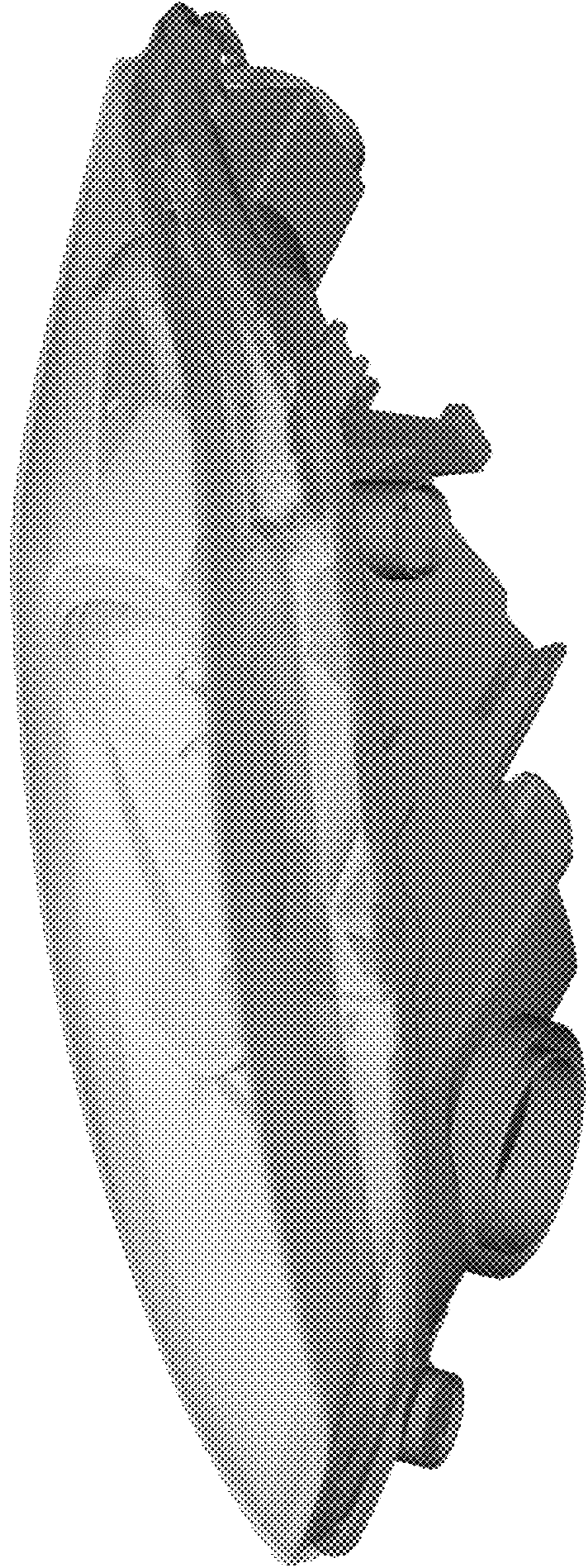


Figure 7