



US00D681853S

(12) **United States Design Patent**
Behmer et al.

(10) **Patent No.:** **US D681,853 S**

(45) **Date of Patent:** **** May 7, 2013**

(54) **VEHICLE TAILLIGHT**

(75) Inventors: **Darrell Paul Behmer**, Novi, MI (US);
Melvin Betancourt, Shelby Township,
MI (US); **Robert Gelardi**, Dearborn, MI
(US)

(73) Assignee: **Ford Motor Company**, Dearborn, MI
(US)

(**) Term: **14 Years**

(21) Appl. No.: **29/406,135**

(22) Filed: **Nov. 10, 2011**

(51) **LOC (9) Cl.** **26-06**

(52) **U.S. Cl.**
USPC **D26/28**

(58) **Field of Classification Search** D26/28-36;
362/459-468, 475-478, 485-487
See application file for complete search history.

(56) **References Cited**

U.S. PATENT DOCUMENTS

D539,448 S	3/2007	Mays	
D550,380 S	* 9/2007	Lin et al.	D26/28
D552,769 S	* 10/2007	Leclercq	D26/28
D565,211 S	* 3/2008	Haller et al.	D26/28
D591,437 S	4/2009	Saridakis	
D602,616 S	* 10/2009	Okamura et al.	D26/28
D605,793 S	* 12/2009	Weil	D26/28
D610,282 S	2/2010	Saridakis	

OTHER PUBLICATIONS

All About Cars and Trucks, Aug. 17, 2011, 2013 Ford Mustang Spy Photos.

Car and Driver, undated, 2013 Ford Mustang Shelby GT500 (spy photo).

Motorauthority, Jun. 19, 2011, 2013 Ford Mustang Shelby GT500 spy shots.

* cited by examiner

Primary Examiner — Marcus Jackson

(74) *Attorney, Agent, or Firm* — Damian Porcari

(57) **CLAIM**

The ornamental design for a vehicle taillight, as shown and described.

DESCRIPTION

FIG. 1 is a left side elevational view of a left vehicle taillight (the right vehicle taillight being a mirror image and is not shown);

FIG. 2 is a right side elevational view of the vehicle taillight;

FIG. 3 is a front elevational view of the vehicle taillight;

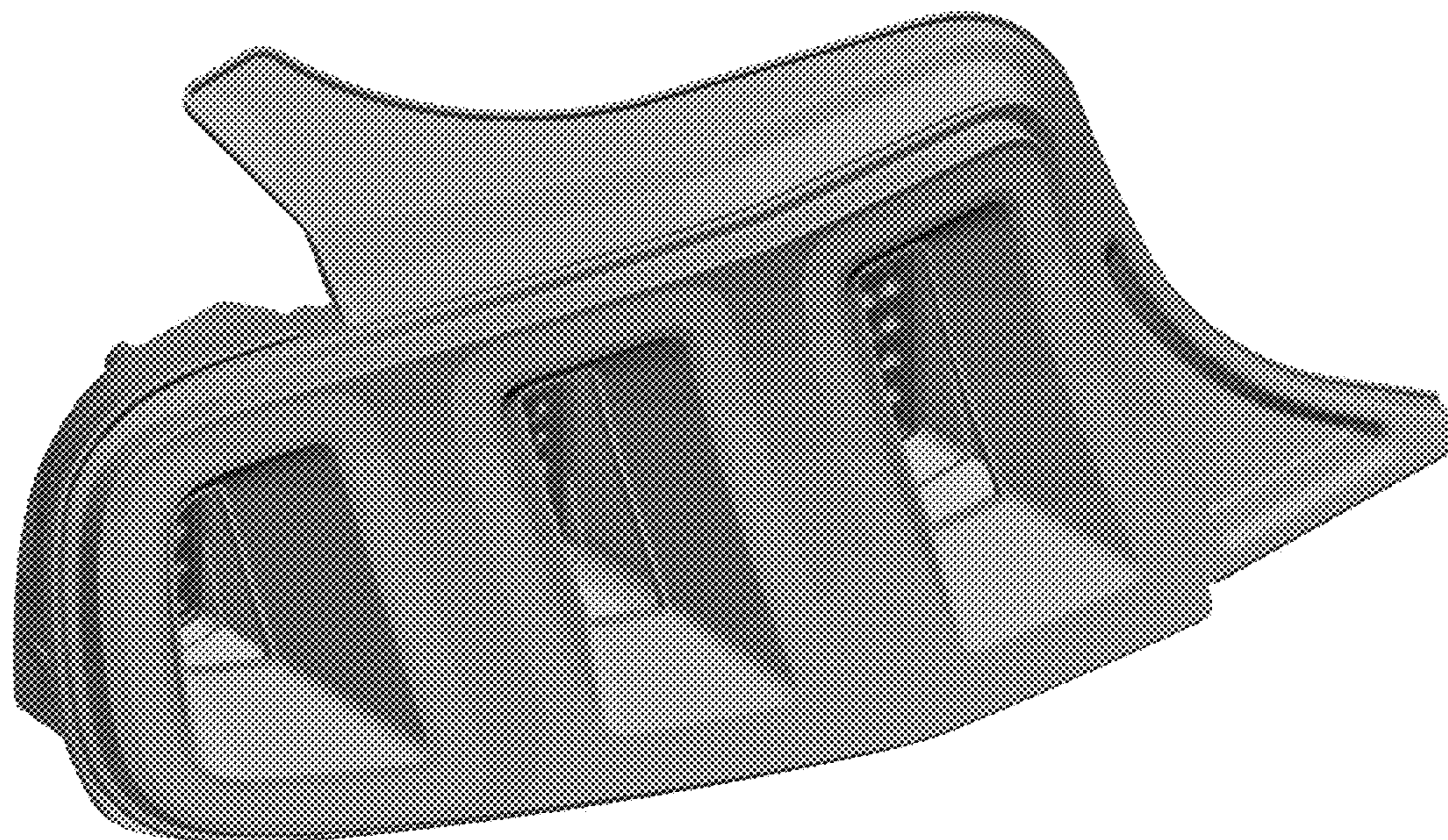
FIG. 4 is a top plan view of the vehicle taillight;

FIG. 5 is a bottom plan view of the vehicle taillight;

FIG. 6 is a perspective view of the vehicle taillight; and,

FIG. 7 is another perspective view of the vehicle taillight.

1 Claim, 7 Drawing Sheets



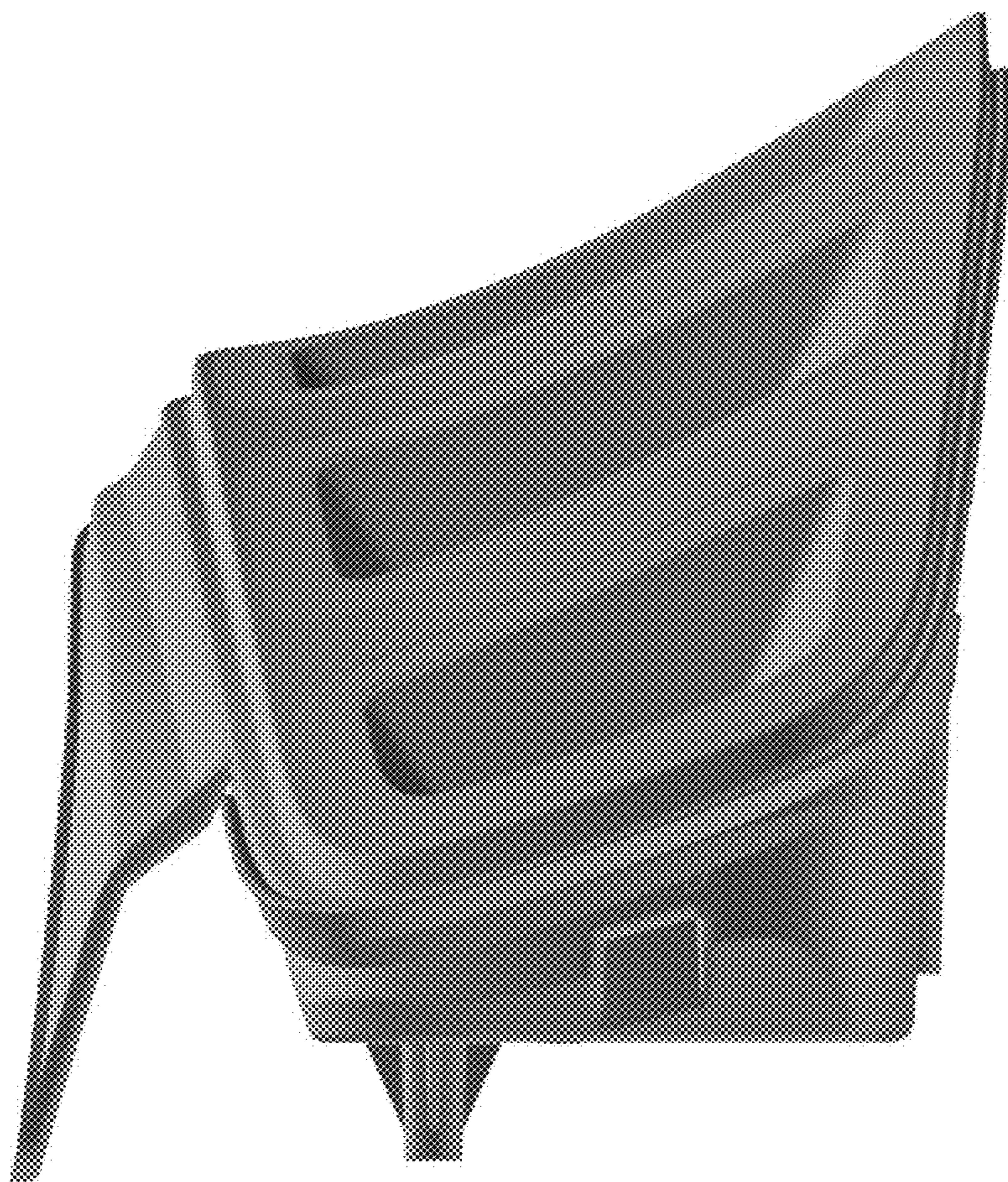


Figure 1

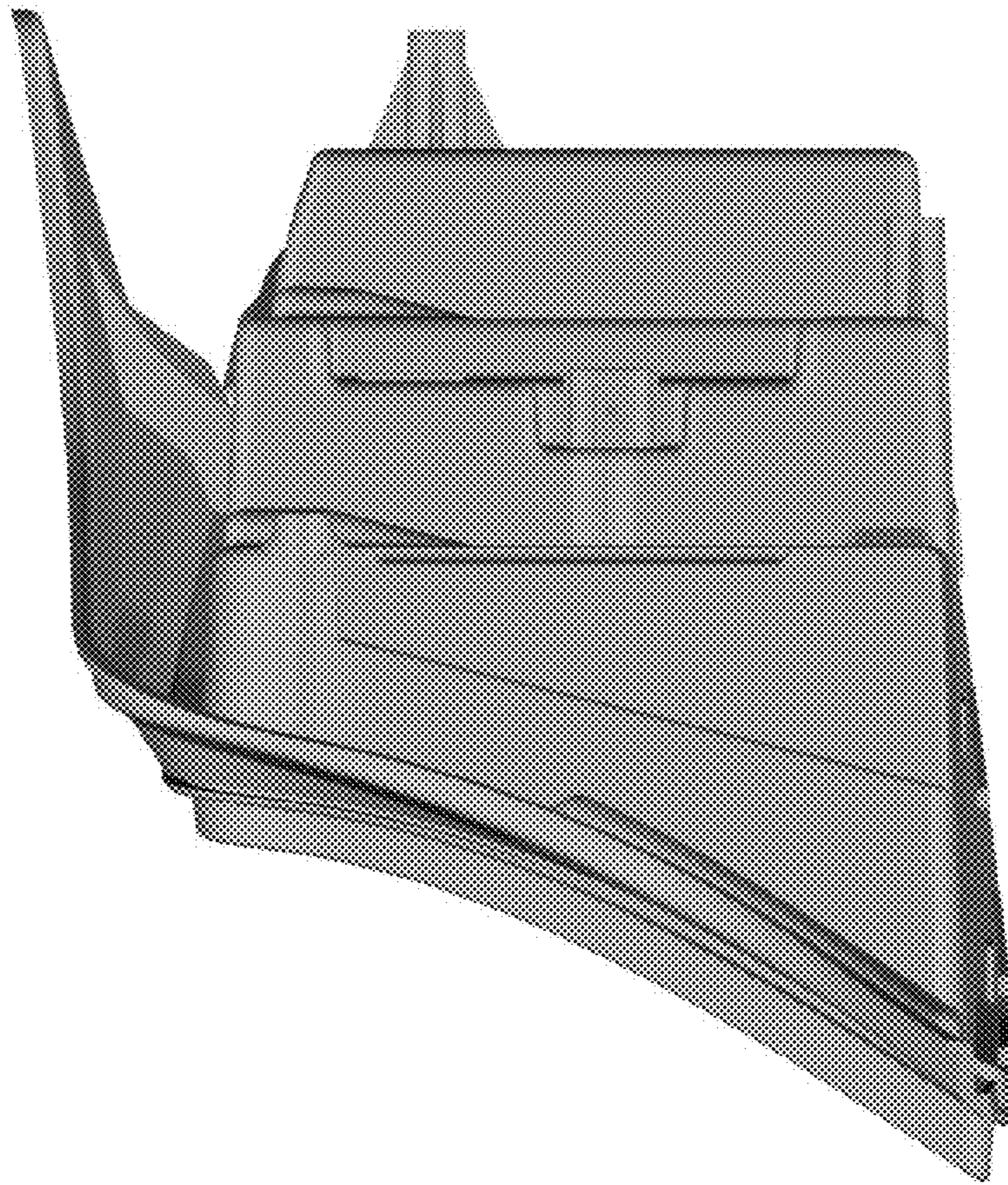


Figure 2

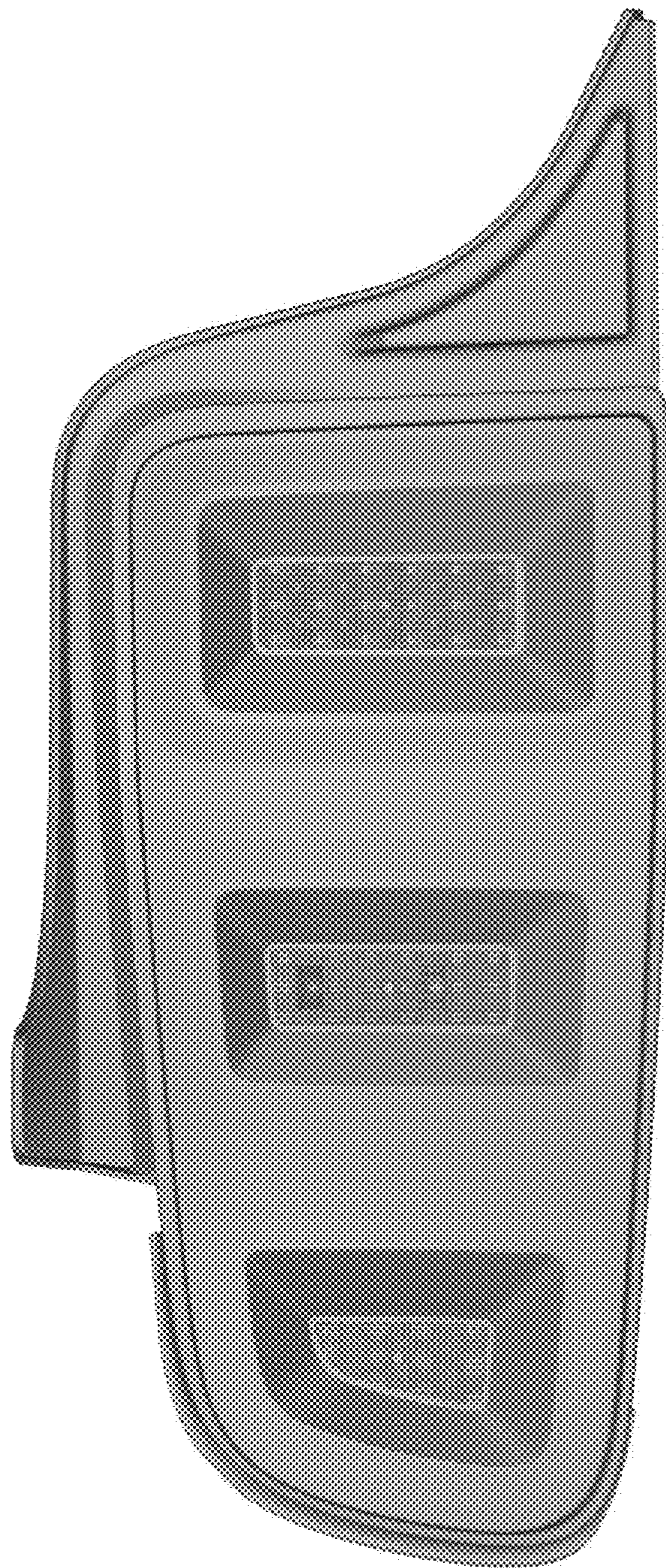


Figure 3



Figure 4

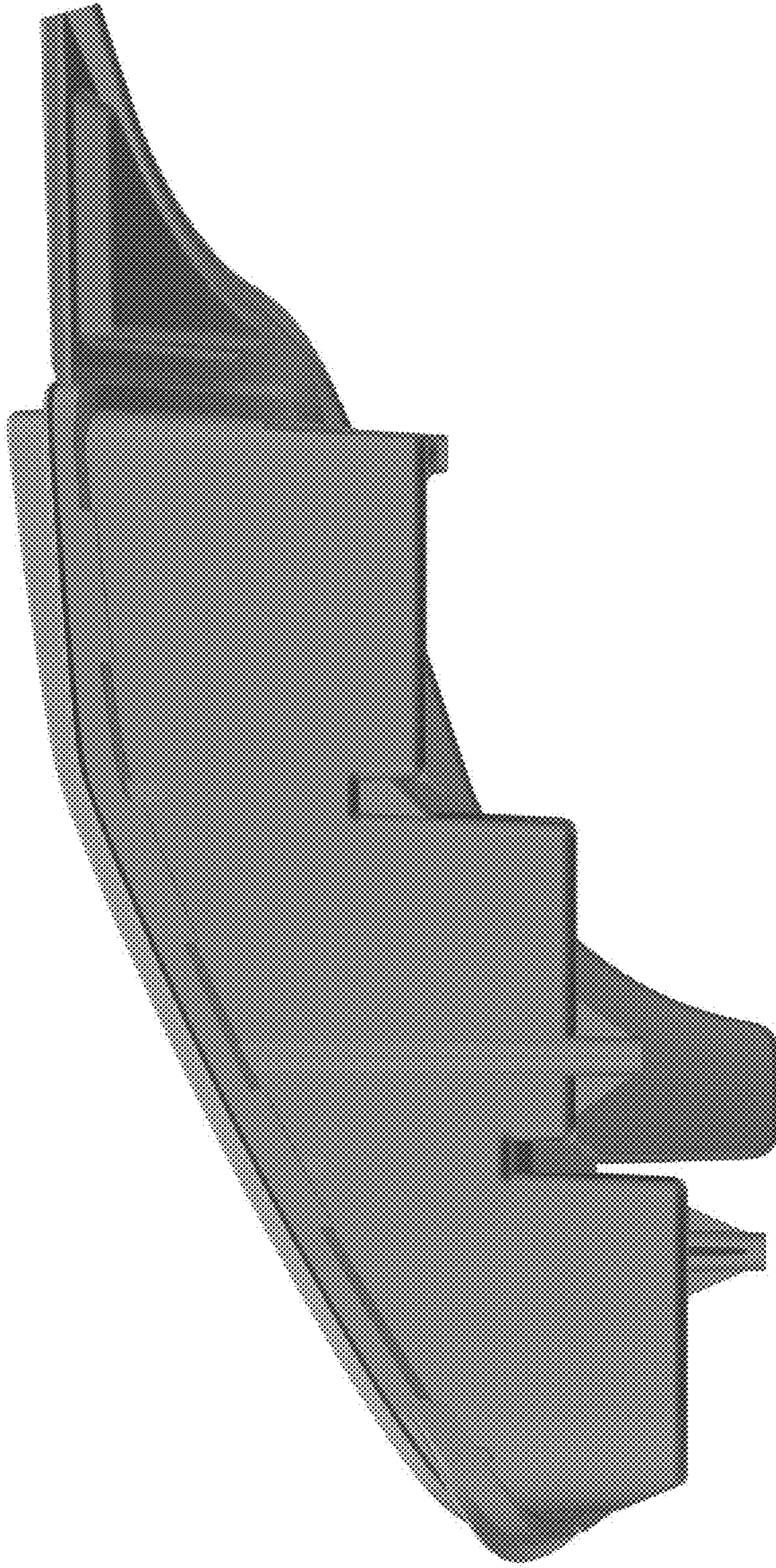


Figure 5

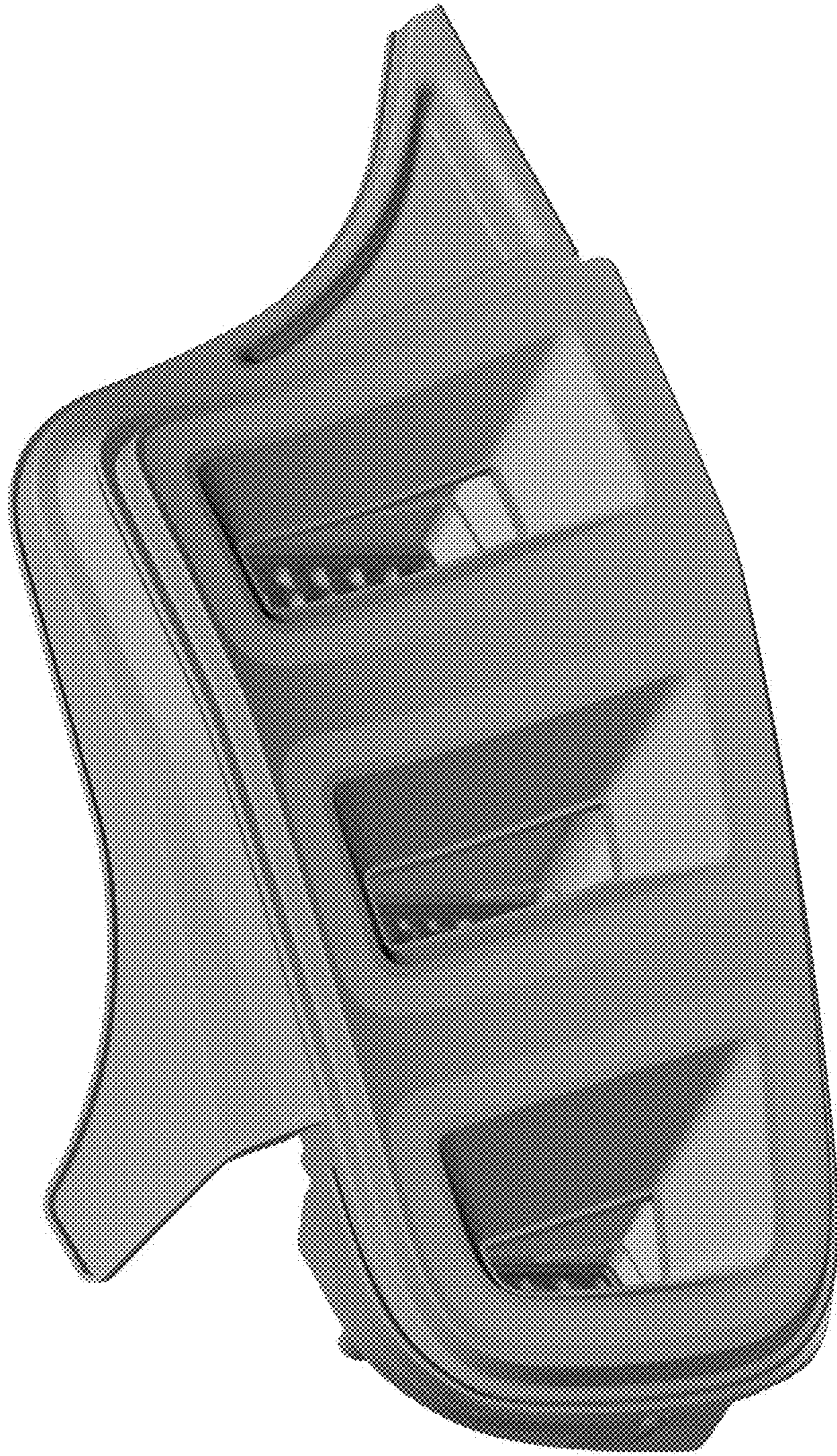


Figure 6

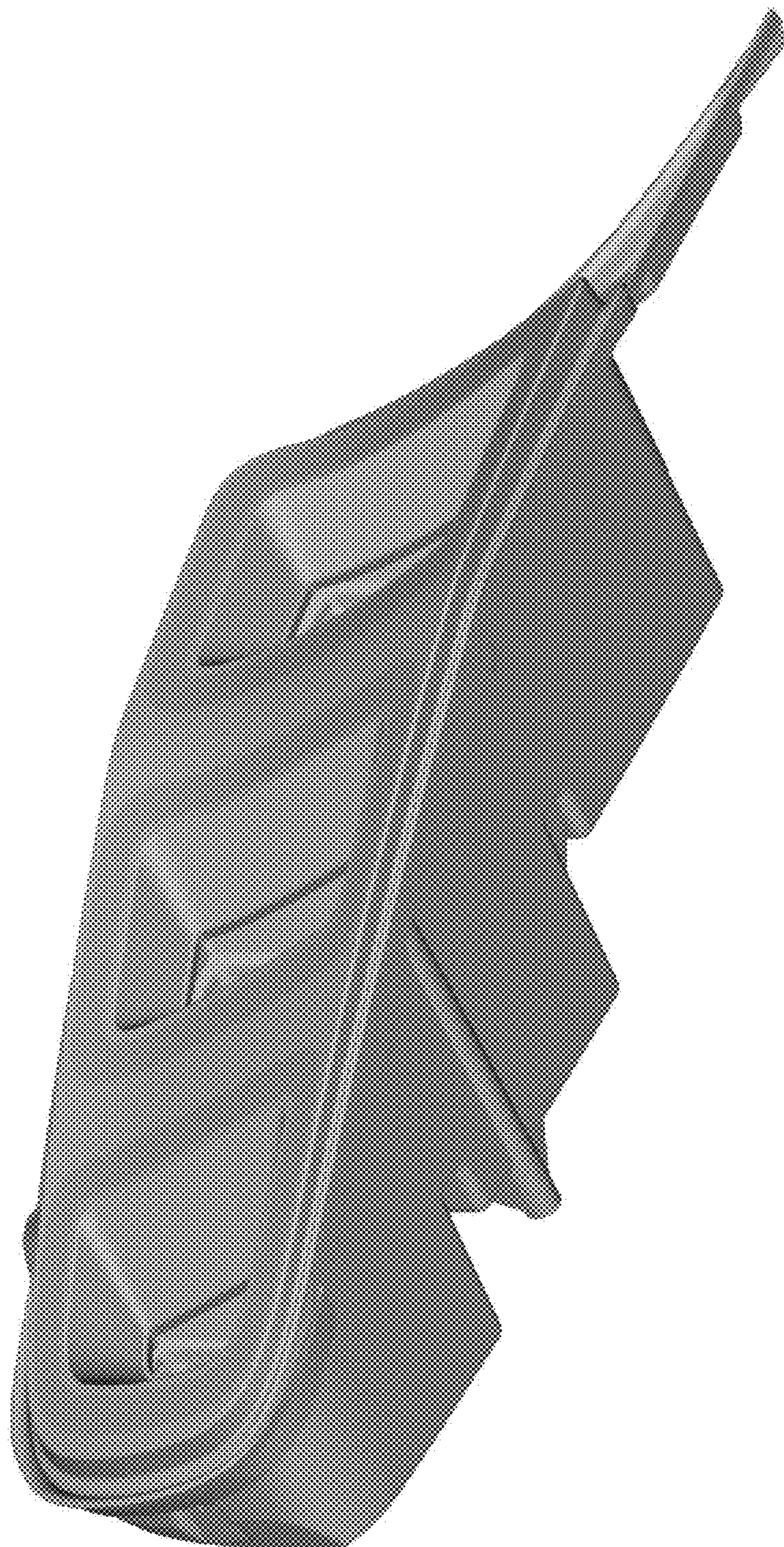


Figure 7