



US00D681852S

(12) **United States Design Patent**
Behmer et al.

(10) **Patent No.:** **US D681,852 S**
(45) **Date of Patent:** **** May 7, 2013**

(54) **VEHICLE HEADLIGHT**

(75) Inventors: **Darrell Paul Behmer**, Novi, MI (US);
Melvin Betancourt, Shelby Township,
MI (US); **Garen Nicoghosian**,
Bloomfield Hills, MI (US)

(73) Assignee: **Ford Motor Company**, Dearborn, MI
(US)

(**) Term: **14 Years**

(21) Appl. No.: **29/406,117**

(22) Filed: **Nov. 10, 2011**

(51) **LOC (9) Cl.** **26-06**

(52) **U.S. Cl.**
USPC **D26/28**

(58) **Field of Classification Search** D26/28-36;
362/459-468, 475-478, 485-487
See application file for complete search history.

(56) **References Cited**

U.S. PATENT DOCUMENTS

D538,956 S *	3/2007	Ishii	D26/28
D544,614 S *	6/2007	Markefka	D26/28
D556,349 S *	11/2007	Golden et al.	D26/28
D559,415 S	1/2008	Gaffka		
D561,358 S *	2/2008	Tachibana	D26/28
D569,021 S	5/2008	Saridakis		
D570,007 S *	5/2008	Hsu	D26/28
D582,065 S	12/2008	Mays		

D582,587 S *	12/2008	Yang	D26/28
D593,232 S *	5/2009	Koman et al.	D26/28
D624,217 S	9/2010	Saridakis		
D635,694 S *	4/2011	Yang et al.	D26/28

OTHER PUBLICATIONS

All About Cars And Trucks, Aug. 17, 2011, 2013 Ford Mustang Spy Photos.
Car and Driver, undated, 2013 Ford Mustang Shelby GT500 (spy photo).
Motorauthority, Jun. 19, 2011, 2013 Ford Mustang Shelby GT500 spy shots.

* cited by examiner

Primary Examiner — Marcus Jackson

(74) *Attorney, Agent, or Firm* — Damian Porcari

(57) **CLAIM**

The ornamental design for a vehicle headlight, as shown and described.

DESCRIPTION

FIG. 1 is a left side elevational view of a left vehicle headlight (the right vehicle headlight being a mirror image and is not shown);

FIG. 2 is a right side elevational view of the vehicle headlight;

FIG. 3 is a front elevational view of the vehicle headlight;

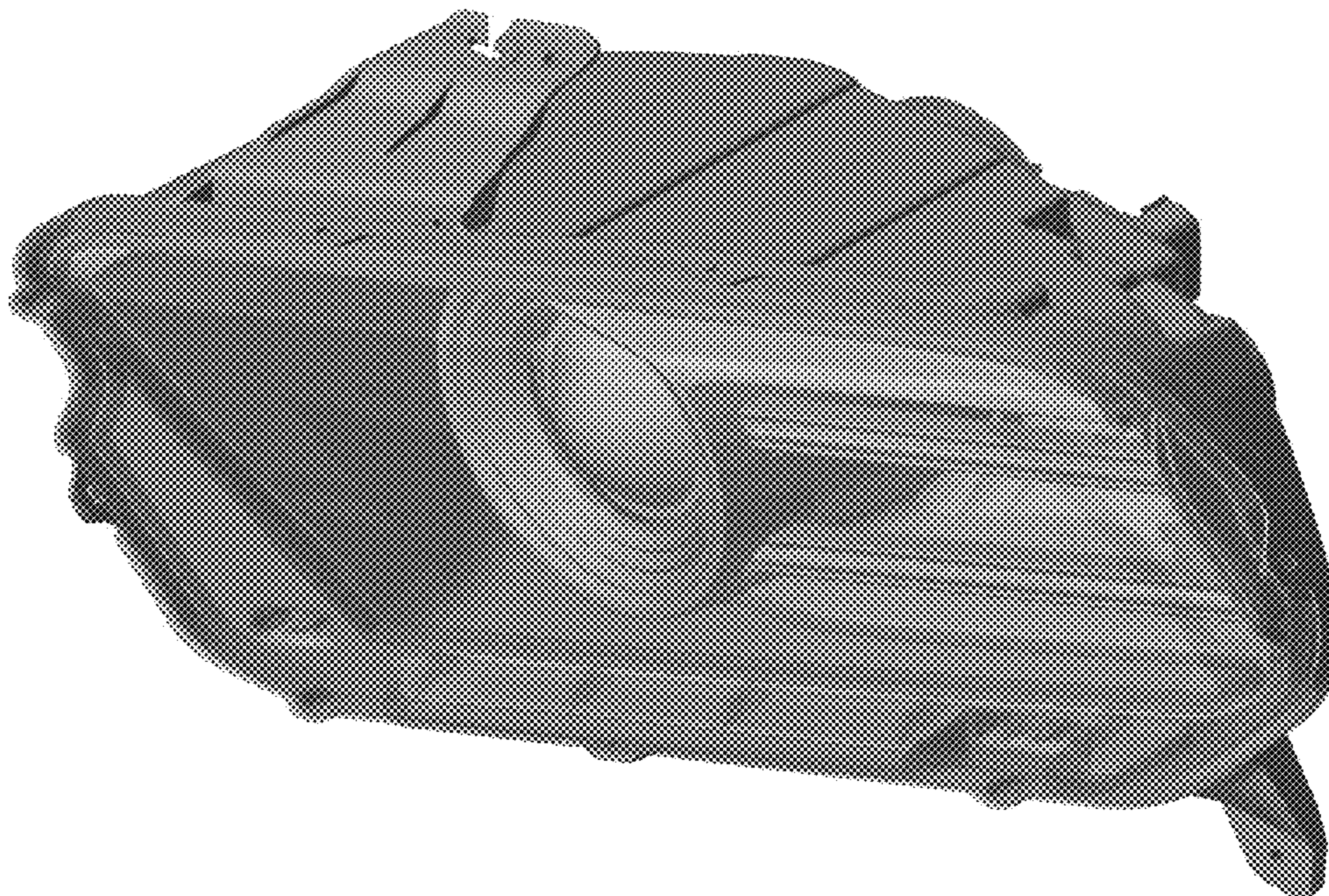
FIG. 4 is a top plan view of the vehicle headlight;

FIG. 5 is a bottom plan view of the vehicle headlight;

FIG. 6 is a perspective view of the vehicle headlight; and,

FIG. 7 is another perspective view of the vehicle headlight.

1 Claim, 7 Drawing Sheets



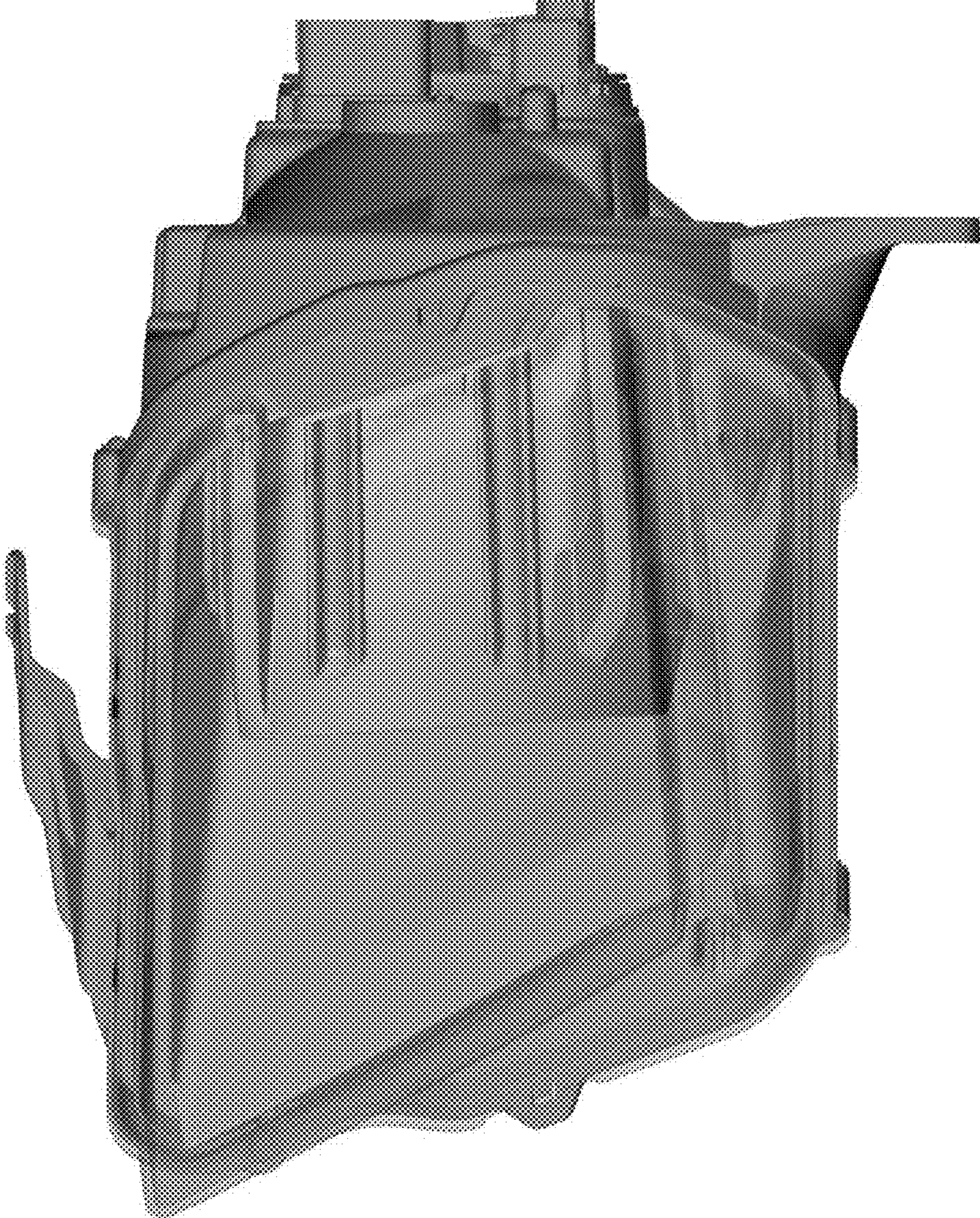


Figure 1

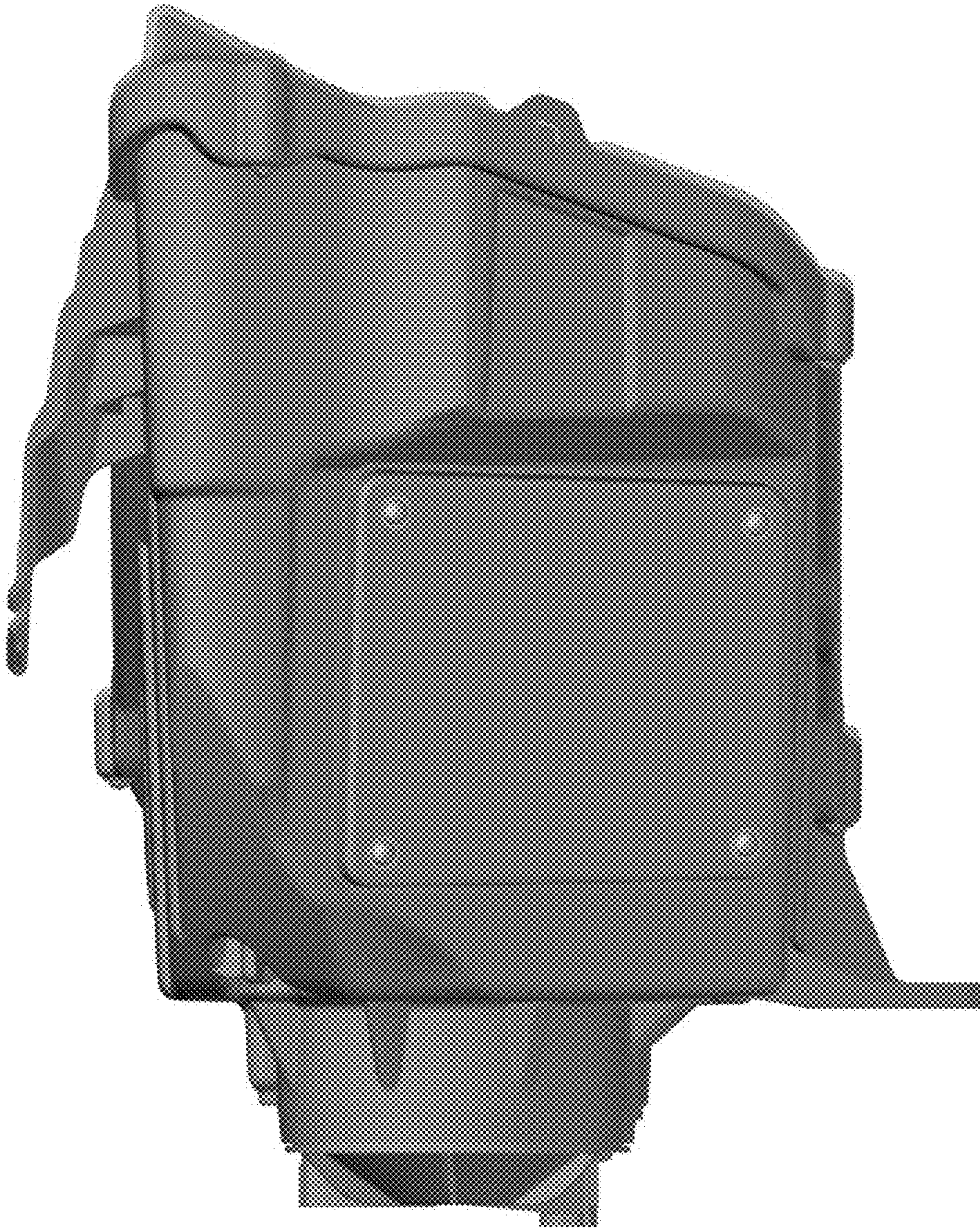


Figure 2

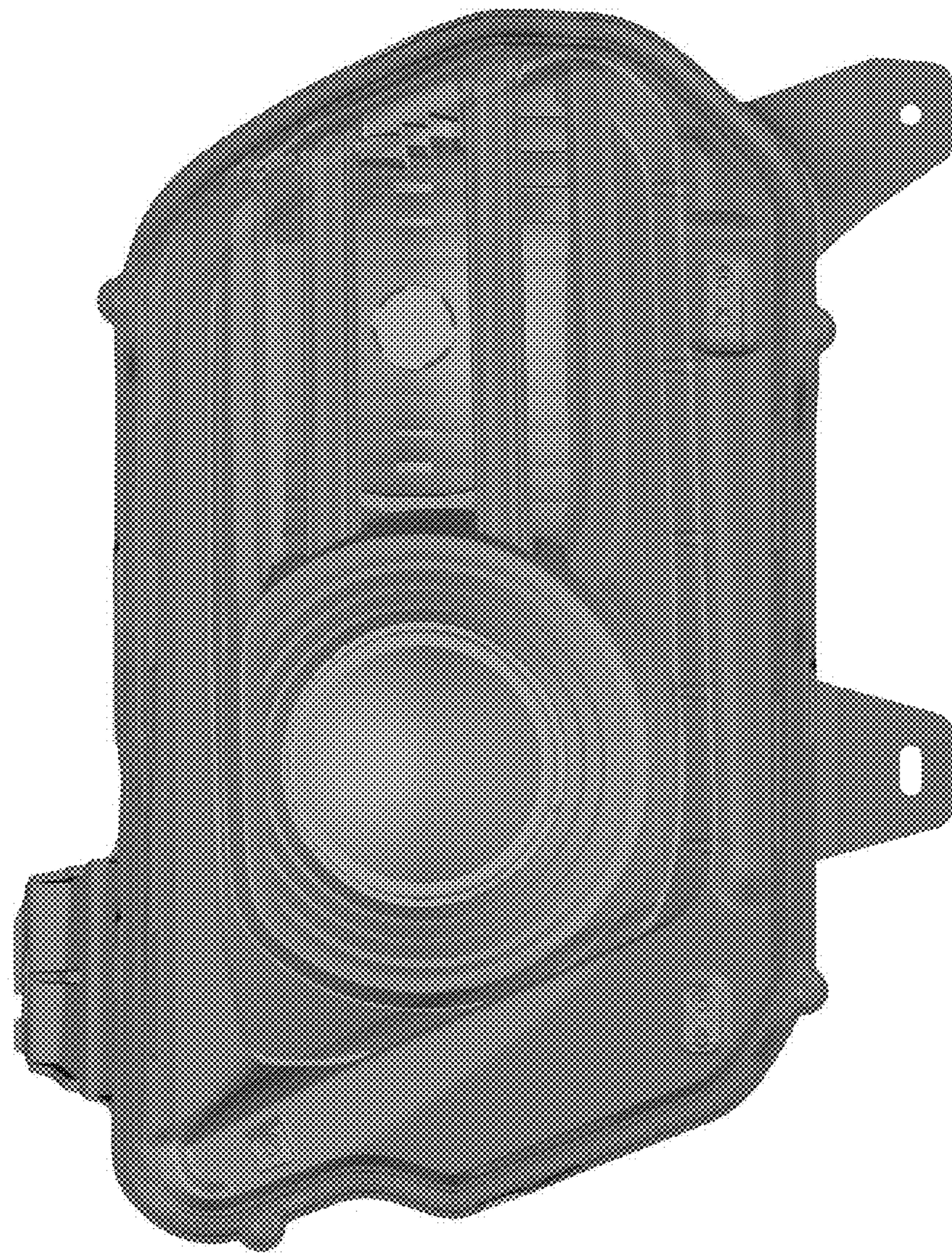


Figure 3

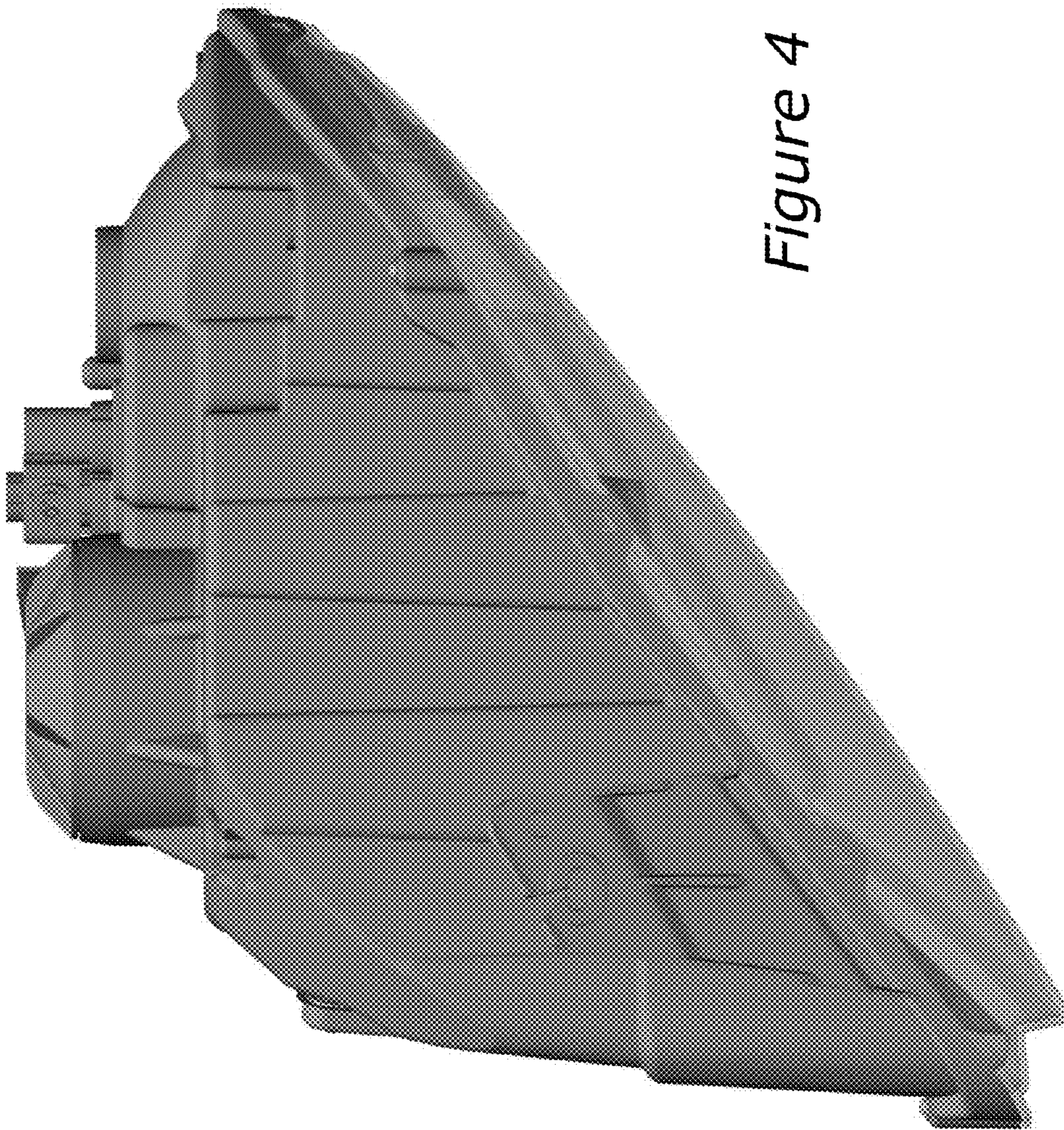
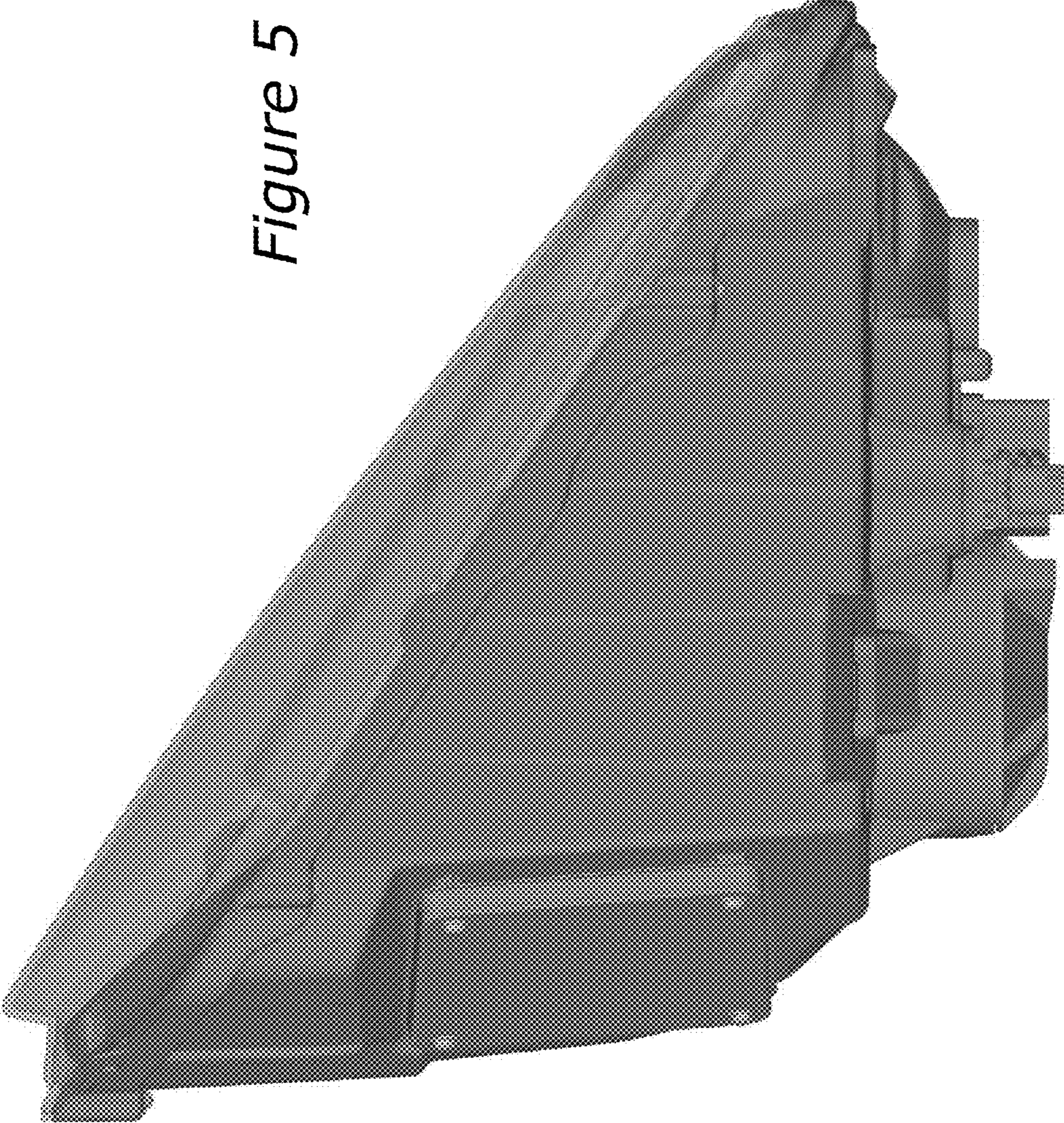


Figure 4

Figure 5



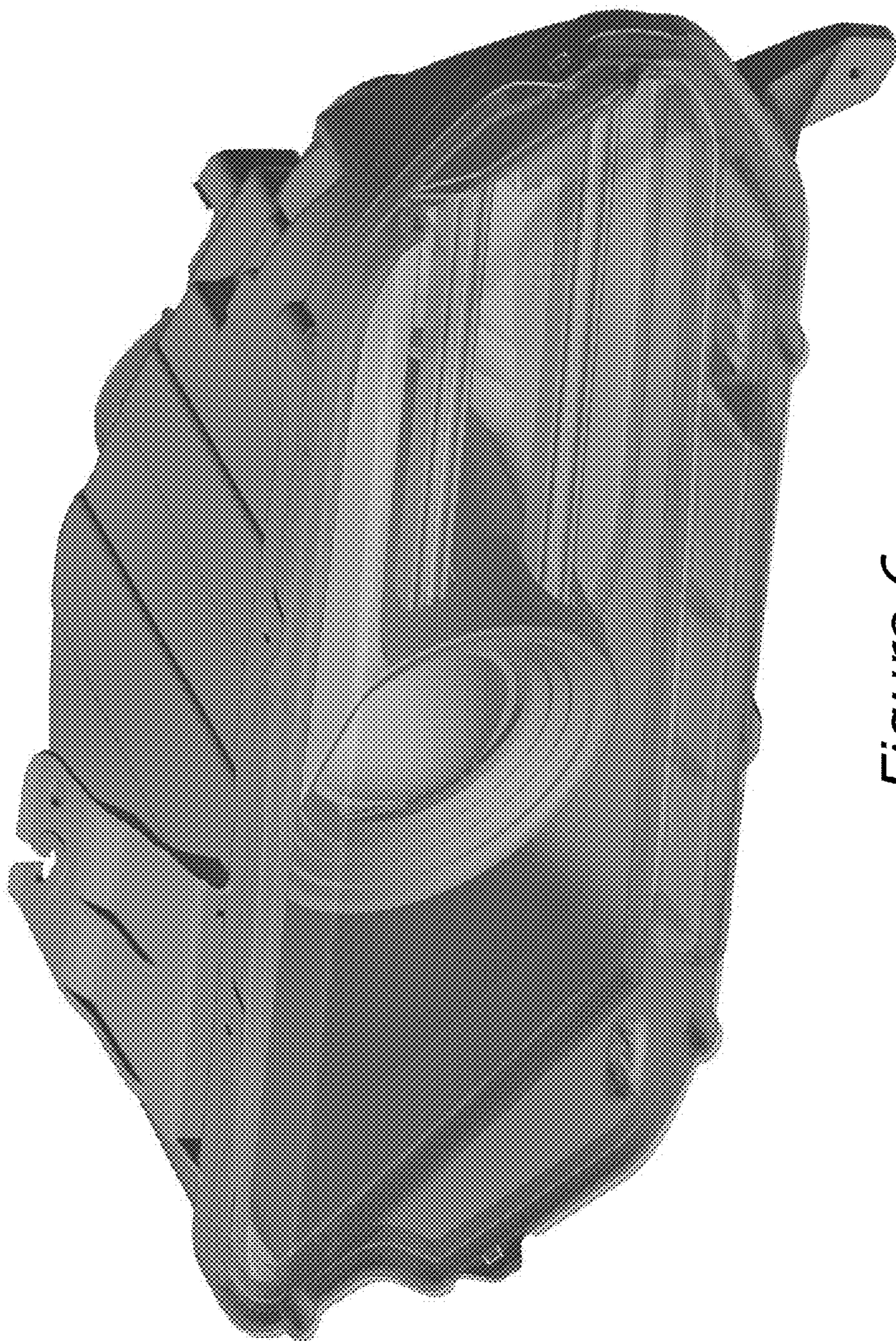


Figure 6

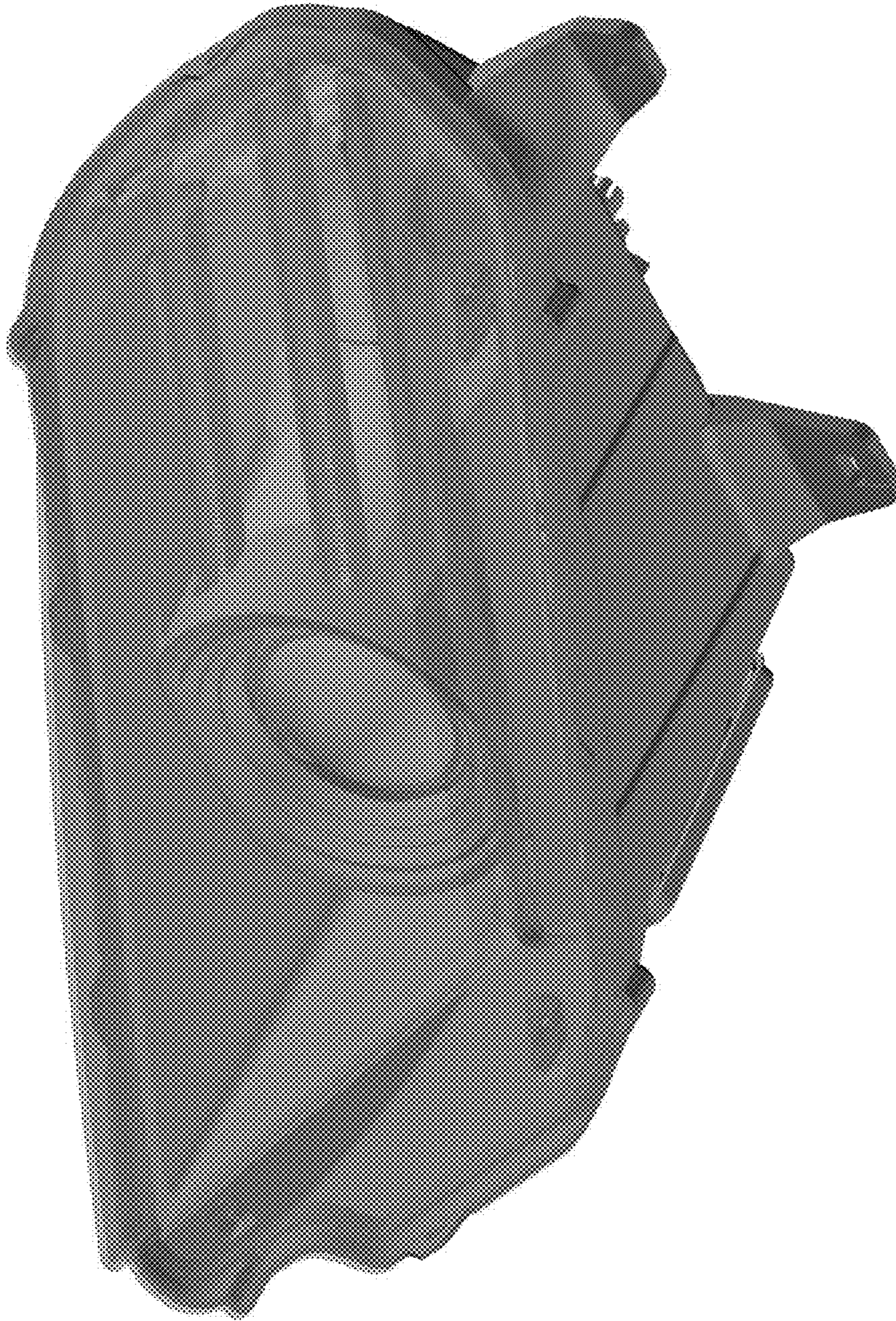


Figure 7