



US00D681851S

(12) **United States Design Patent**  
**Zidek et al.**

(10) **Patent No.:** **US D681,851 S**  
(45) **Date of Patent:** **\*\* May 7, 2013**

(54) **SAWHORSE DESK**

(71) Applicants: **Juliette Nora Zidek**, Vernon Hills, IL  
(US); **James F. Zidek**, Vernon Hills, IL  
(US)

(72) Inventors: **Juliette Nora Zidek**, Vernon Hills, IL  
(US); **James F. Zidek**, Vernon Hills, IL  
(US)

(\*\*) Term: **14 Years**

(21) Appl. No.: **29/441,554**

(22) Filed: **Jan. 7, 2013**

(51) **LOC (9) Cl.** ..... **25-04**

(52) **U.S. Cl.**  
USPC ..... **D25/67**

(58) **Field of Classification Search** ..... D25/67;  
182/153, 155, 181.1; 269/901  
See application file for complete search history.

(56) **References Cited**

**U.S. PATENT DOCUMENTS**

D78,972 S	7/1929	Gebauer	
4,403,678 A *	9/1983	Zieg	182/153
4,494,627 A *	1/1985	Arent	182/129
D280,440 S *	9/1985	Gromer, Jr.	D25/67
D357,141 S	4/1995	Park	
5,535,847 A	7/1996	DuRapau	

D406,905 S	3/1999	Librach	
5,924,684 A *	7/1999	Cheng	269/139
D451,302 S	12/2001	Chang	
D501,339 S	2/2005	Lai	
D552,885 S	10/2007	Saotome	
D569,132 S	5/2008	Sexton	
D586,155 S	2/2009	Lenterman	
D592,892 S	5/2009	Sexton	

\* cited by examiner

*Primary Examiner* — Doris Clark

(74) *Attorney, Agent, or Firm* — QuickPatents; Kevin Prince

(57) **CLAIM**

We claim the ornamental design for a sawhorse desk, as shown and described.

**DESCRIPTION**

FIG. 1 is a top perspective view of a sawhorse desk, showing our new design in an expanded configuration; FIG. 2 is a bottom perspective view of FIG. 1; FIG. 3 is a front elevational view of FIG. 1; FIG. 4 is a rear elevational view of FIG. 1; FIG. 5 is a top plan view of FIG. 1; FIG. 6 is a bottom plan view of FIG. 1; FIG. 7 is a left-side elevational view of FIG. 1, the right-side elevational view being a mirror image thereof; and, FIG. 8 is a bottom perspective view thereof, illustrated in a collapsed configuration.

**1 Claim, 5 Drawing Sheets**





FIG. 1

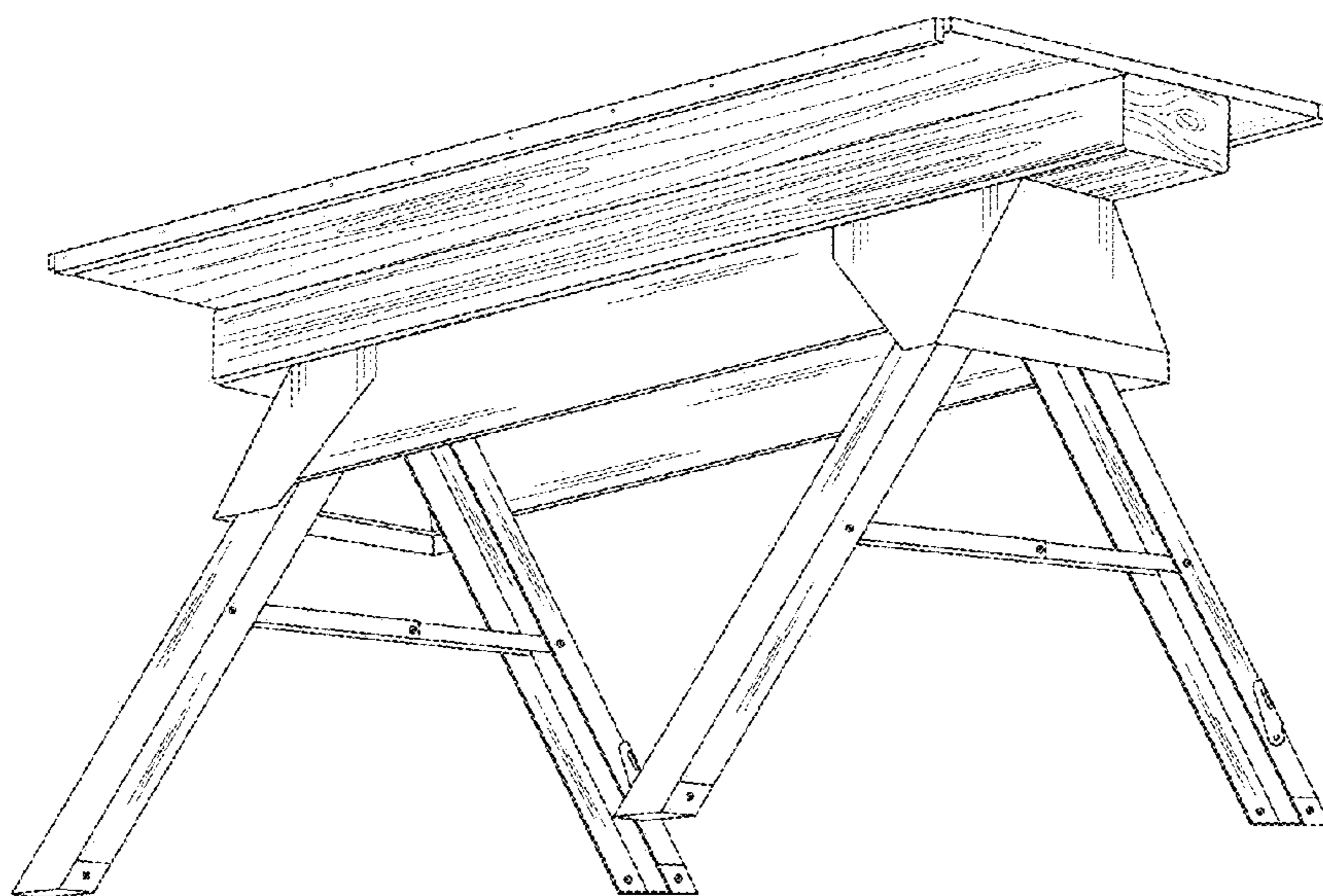


FIG. 2

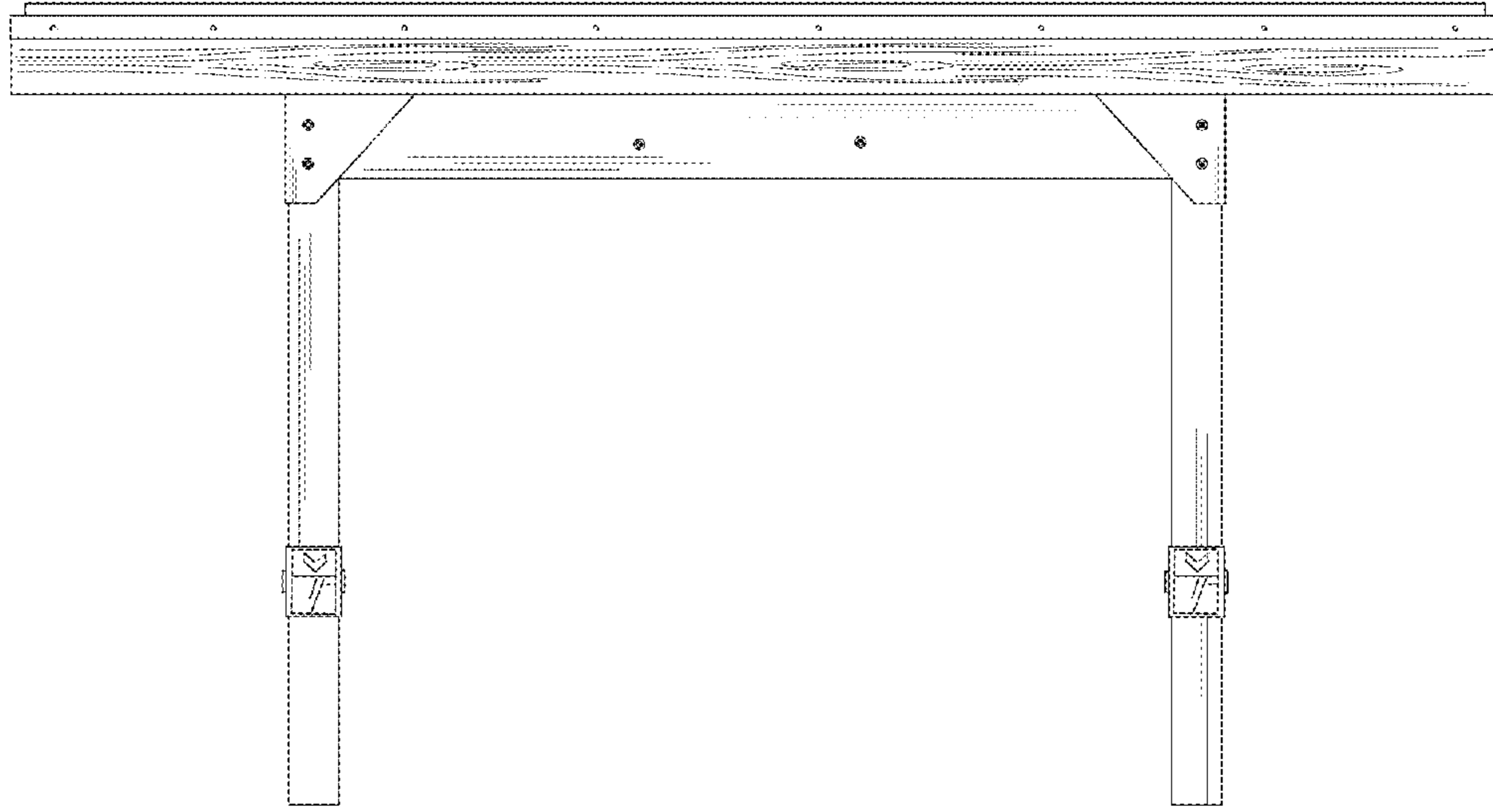


FIG. 3

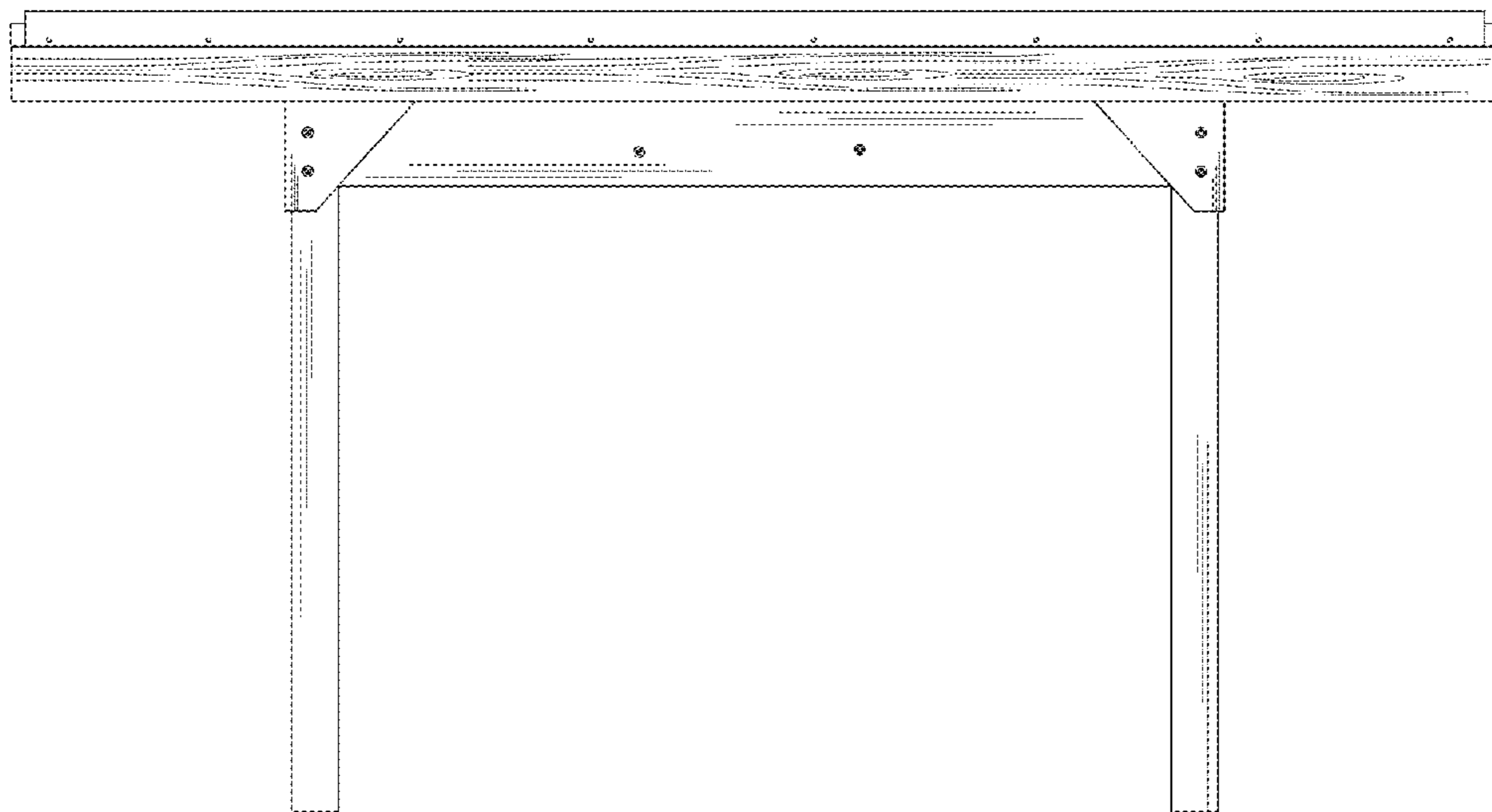


FIG. 4

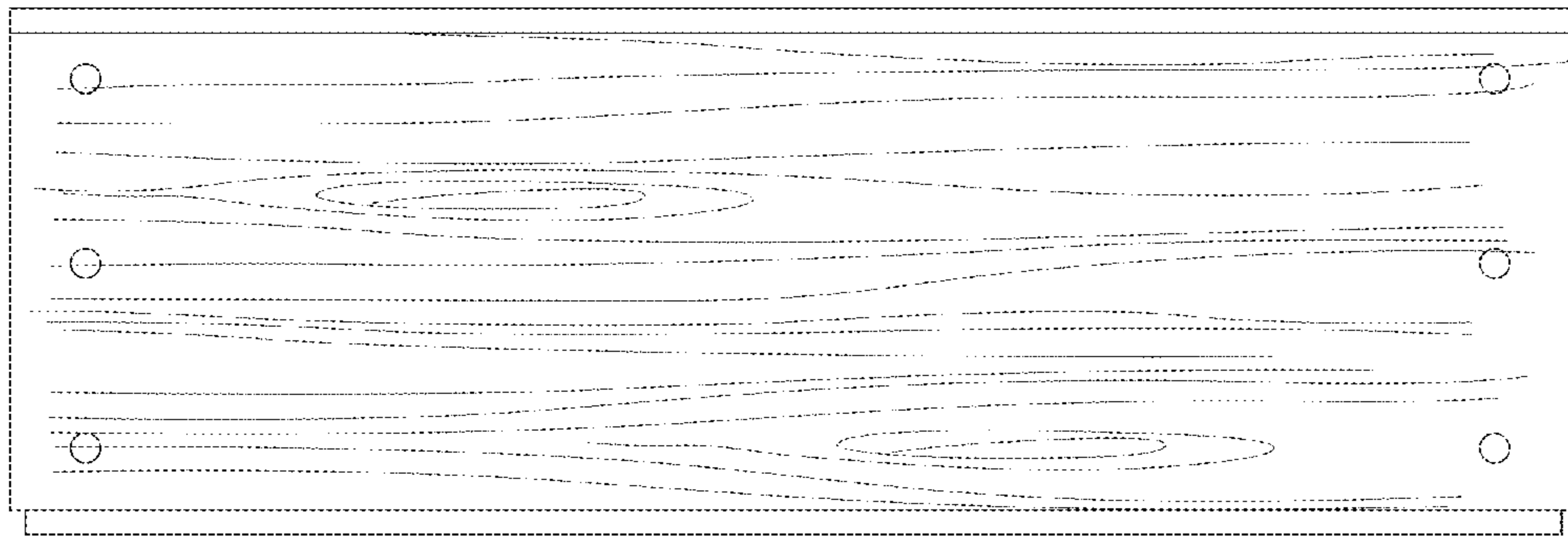


FIG. 5

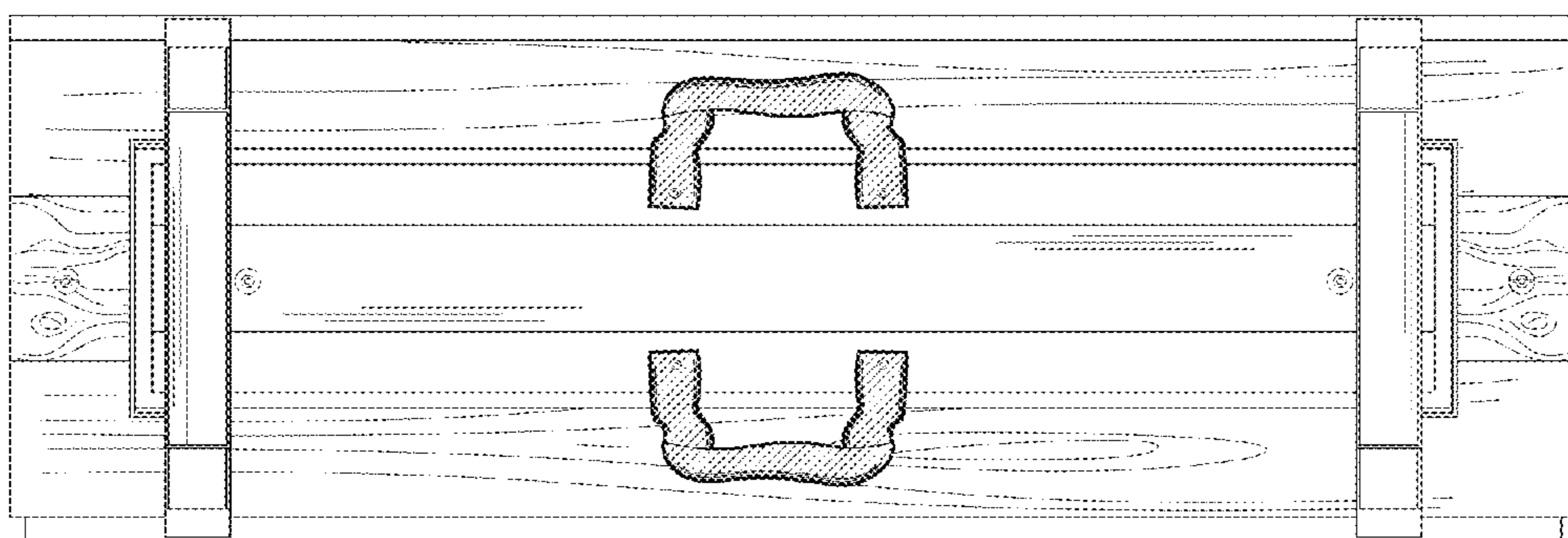


FIG. 6

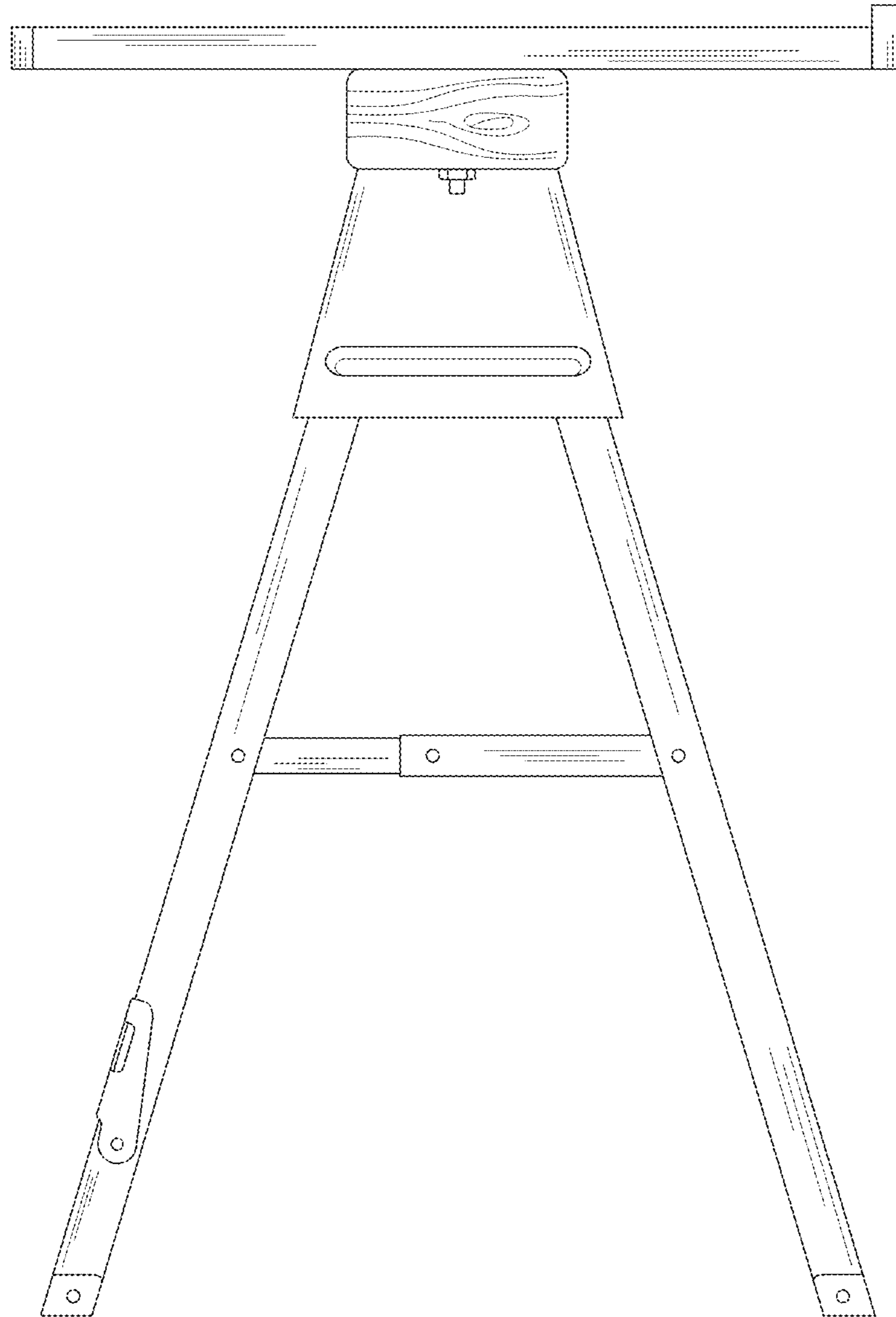


FIG. 7

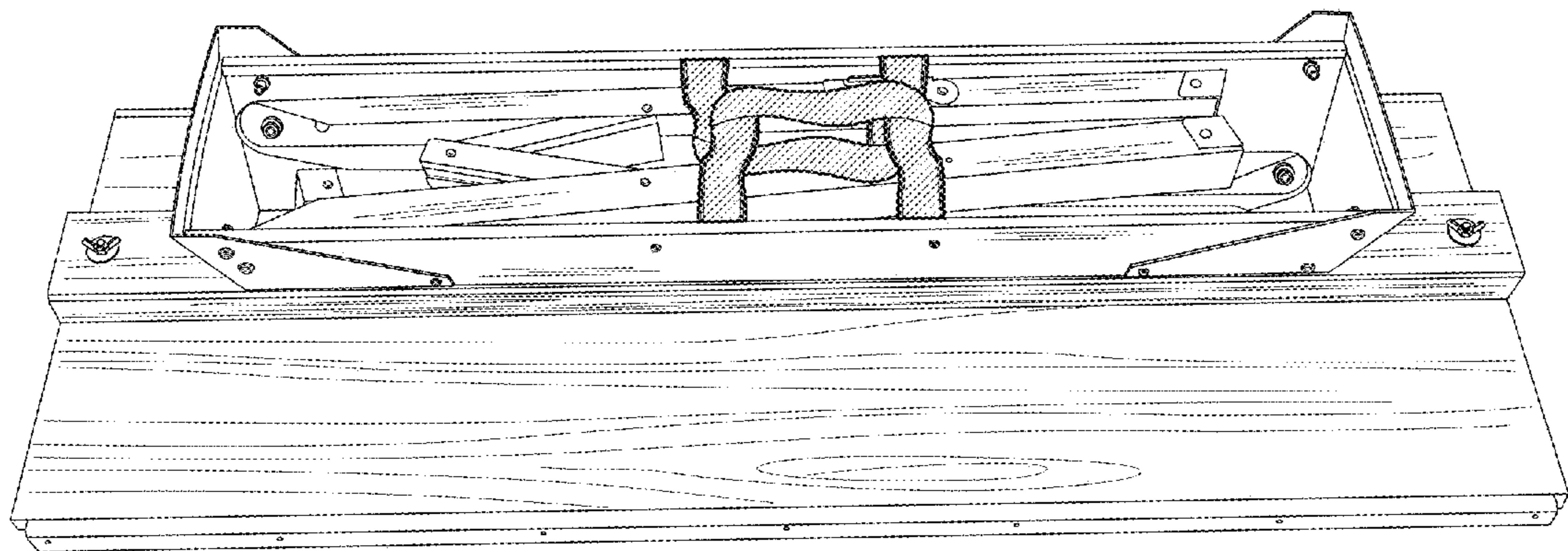


FIG. 8