



US00D681849S

(12) **United States Design Patent**
Gustafson et al.

(10) **Patent No.:** **US D681,849 S**

(45) **Date of Patent:** **** May 7, 2013**

(54) **CANOPY**

(75) Inventors: **Kathryn Lynn Gustafson**, Vashon Island, WA (US); **Rodrigo Carlos Abela**, Arlington, VA (US); **Stacy Day Vayanos**, Seattle, WA (US); **Kelly Majewski**, Los Angeles, CA (US)

(73) Assignee: **Gustafson Guthrie Nichol Ltd.**, Seattle, WA (US)

(**) Term: **14 Years**

(21) Appl. No.: **29/411,800**

(22) Filed: **Jan. 26, 2012**

(51) **LOC (9) Cl.** **25-02**

(52) **U.S. Cl.**
USPC **D25/56**

(58) **Field of Classification Search** D25/56;
135/90; 160/24, 38, 351, 19
See application file for complete search history.

(56) **References Cited**

U.S. PATENT DOCUMENTS

2,928,405	A *	3/1960	Lawson	135/95
3,581,436	A *	6/1971	Basiger	47/22.1
D375,800	S *	11/1996	Wagner	D25/56

OTHER PUBLICATIONS

Eliosolar "ETME", Los Angeles, CA, Dec. 12, 2011.

* cited by examiner

Primary Examiner — Doris Clark

(74) *Attorney, Agent, or Firm* — Heslin Rothenberg Farley & Mesiti P.C.

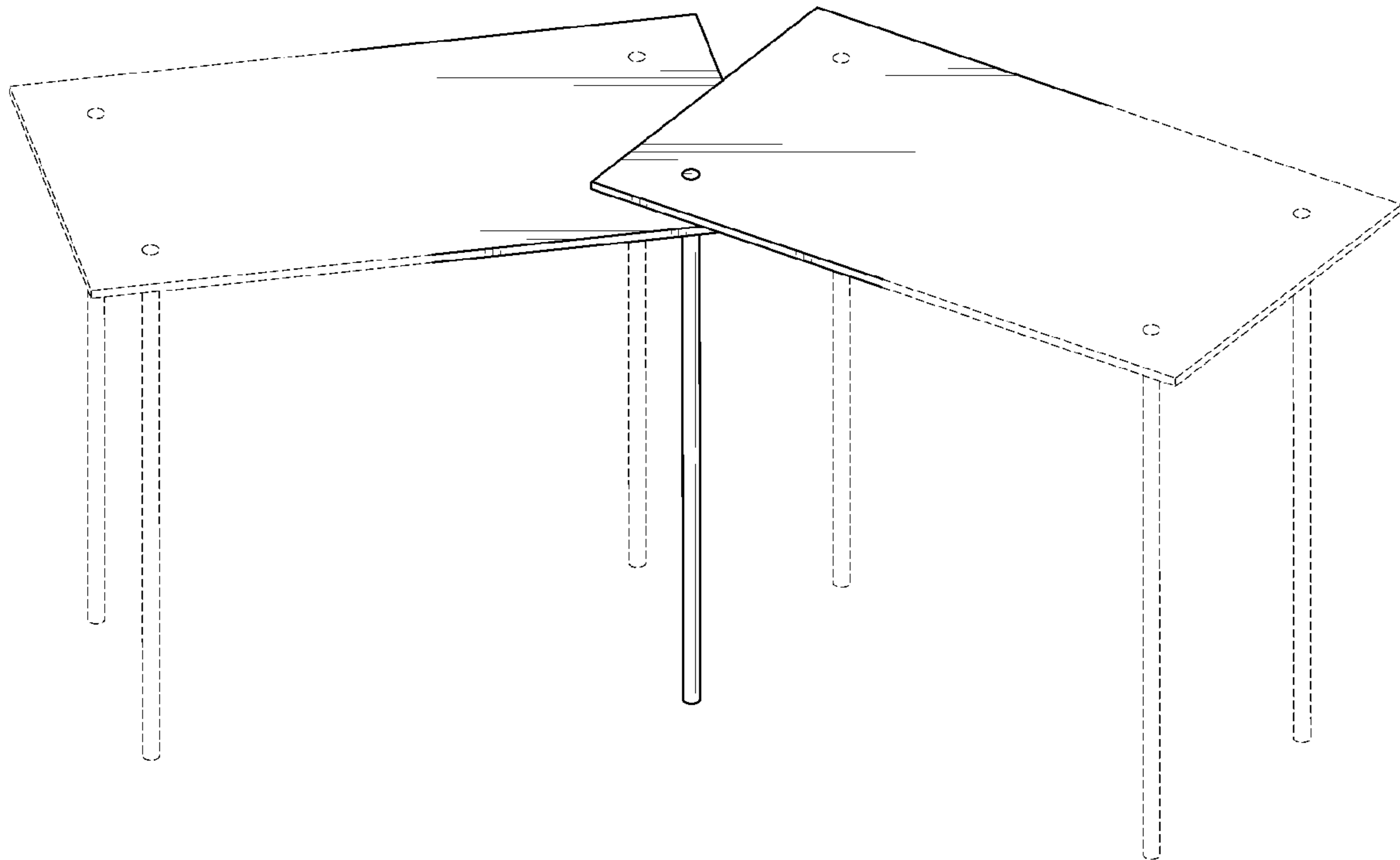
(57) **CLAIM**

The ornamental design for the canopy, as shown and described.

DESCRIPTION

FIG. 1 is a perspective view of the canopy of the present design;
FIG. 2 is a front elevation view thereof;
FIG. 3 is a right-side elevation view thereof;
FIG. 4 is a rear elevation view thereof;
FIG. 5 is a left-side elevation view thereof;
FIG. 6 is top plan view thereof; and,
FIG. 7 is a bottom plan view thereof.
The broken lines illustrate environmental structure and form no part of the claimed design.

1 Claim, 7 Drawing Sheets



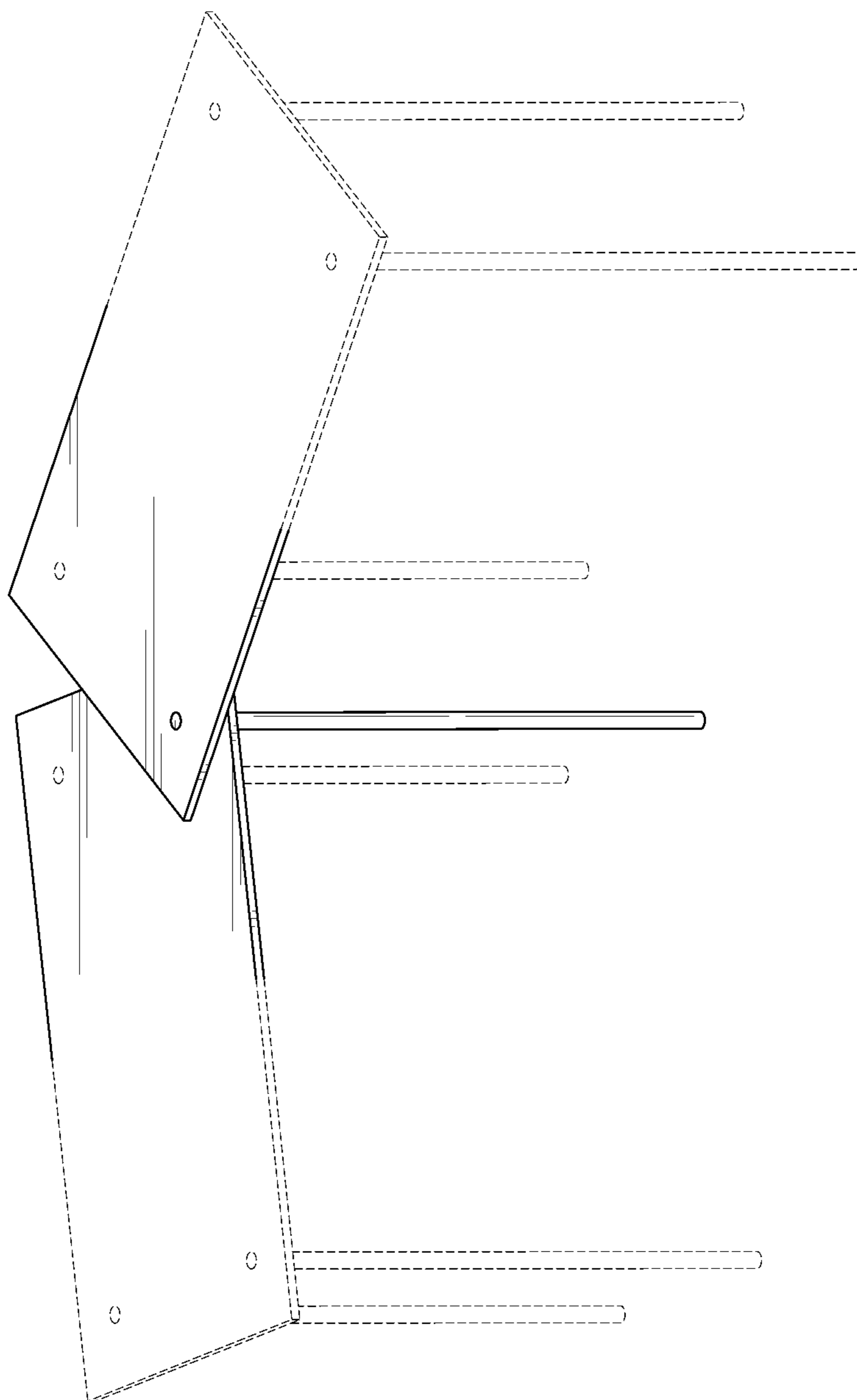


FIG. 1

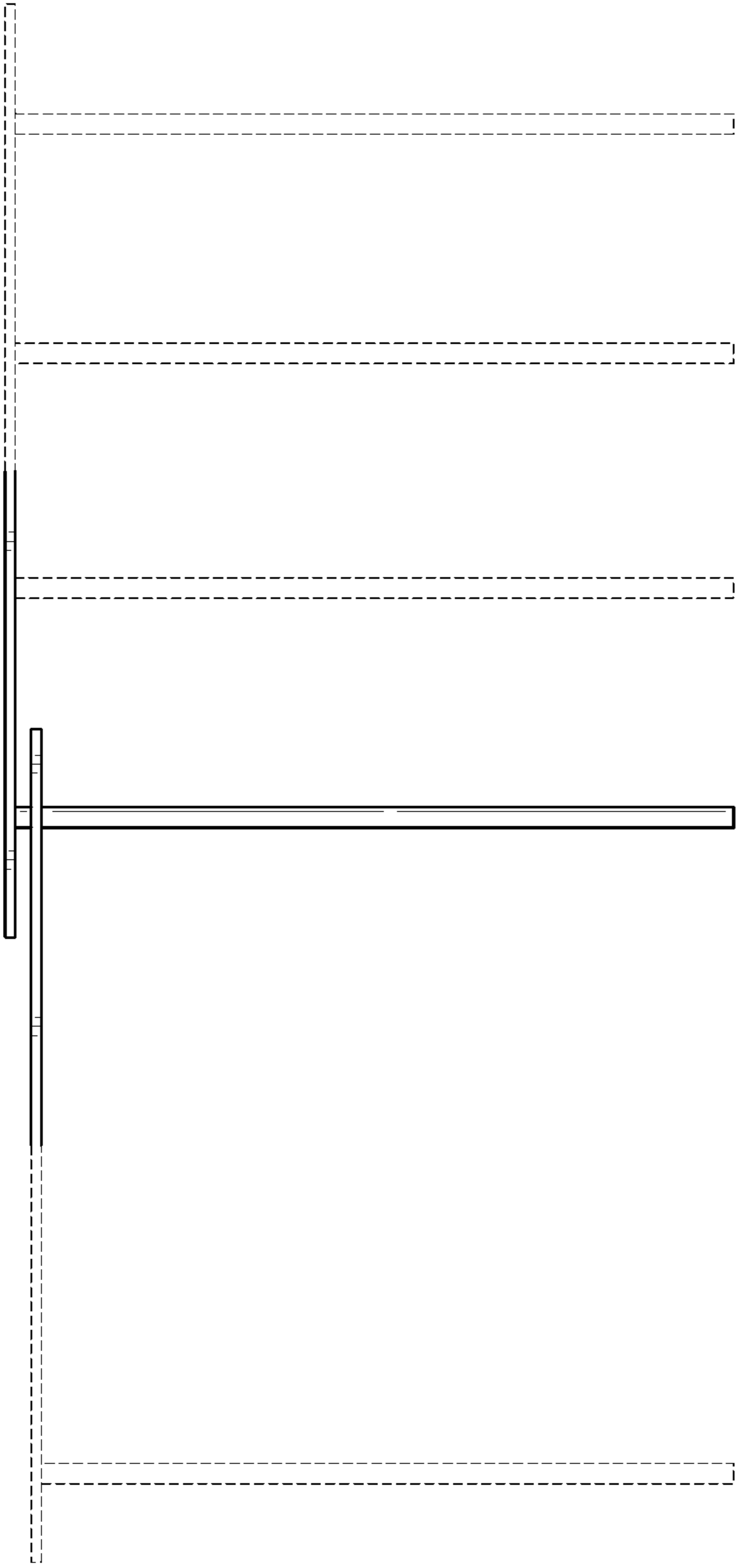


FIG. 2

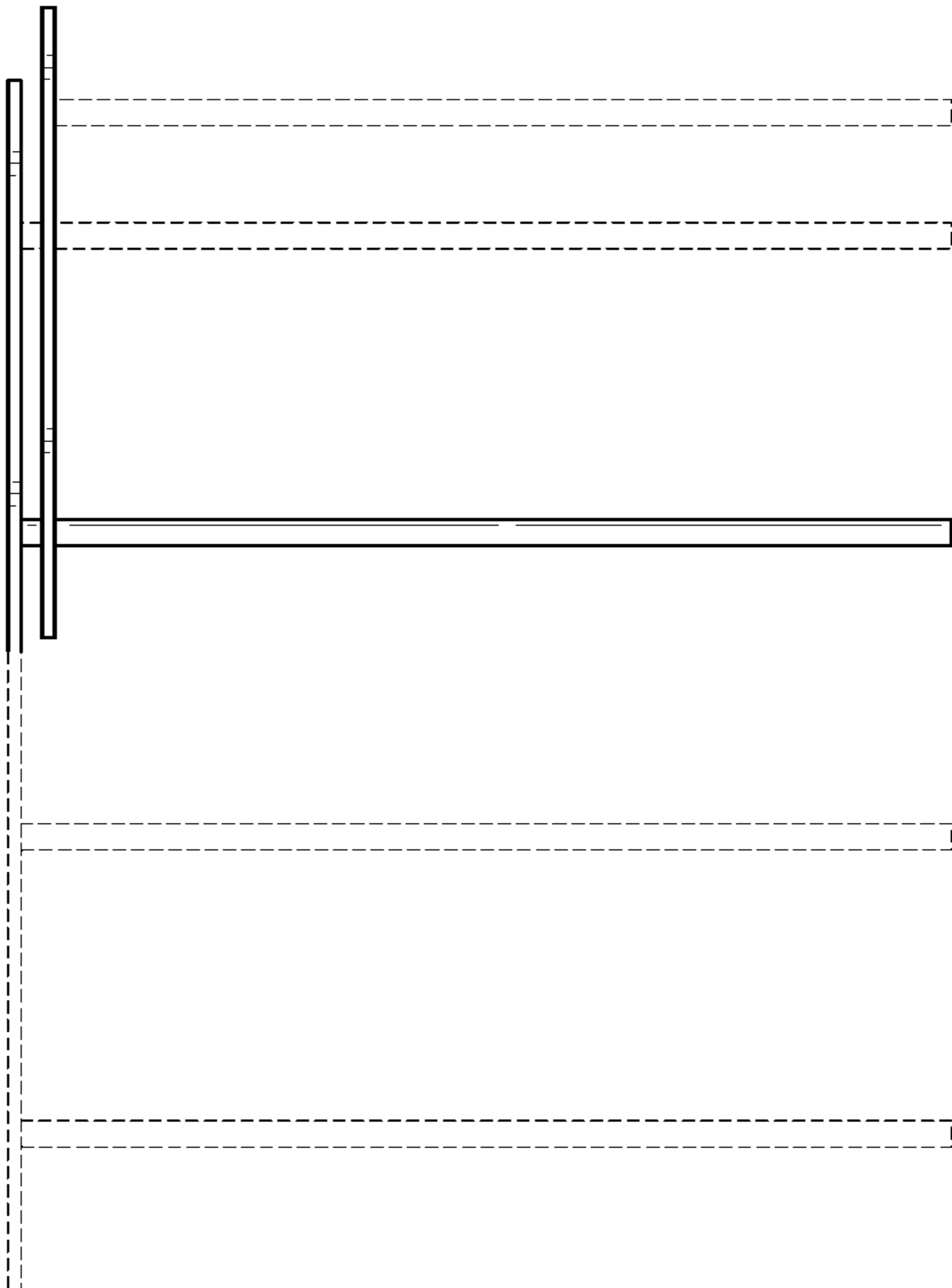


FIG. 3

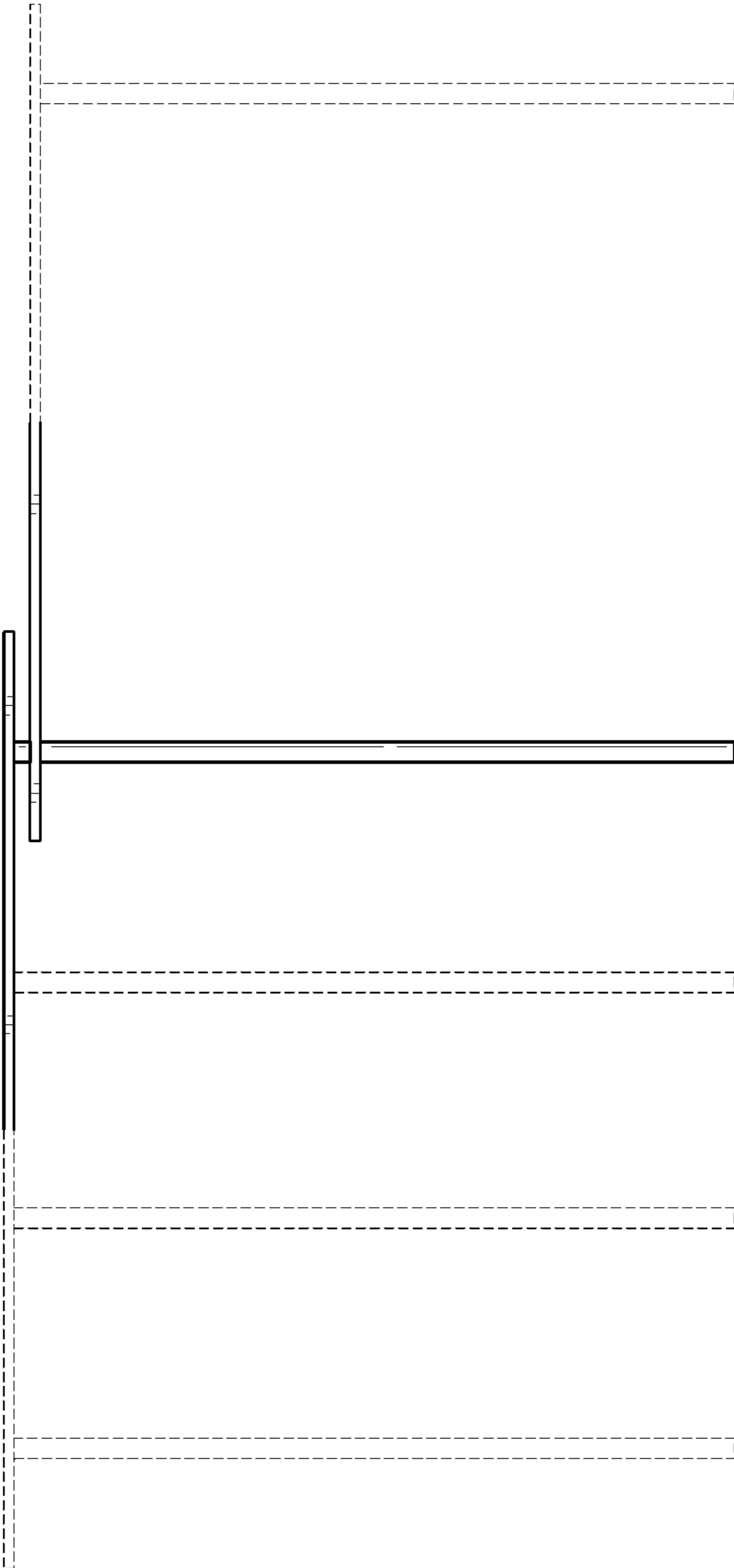


FIG. 4

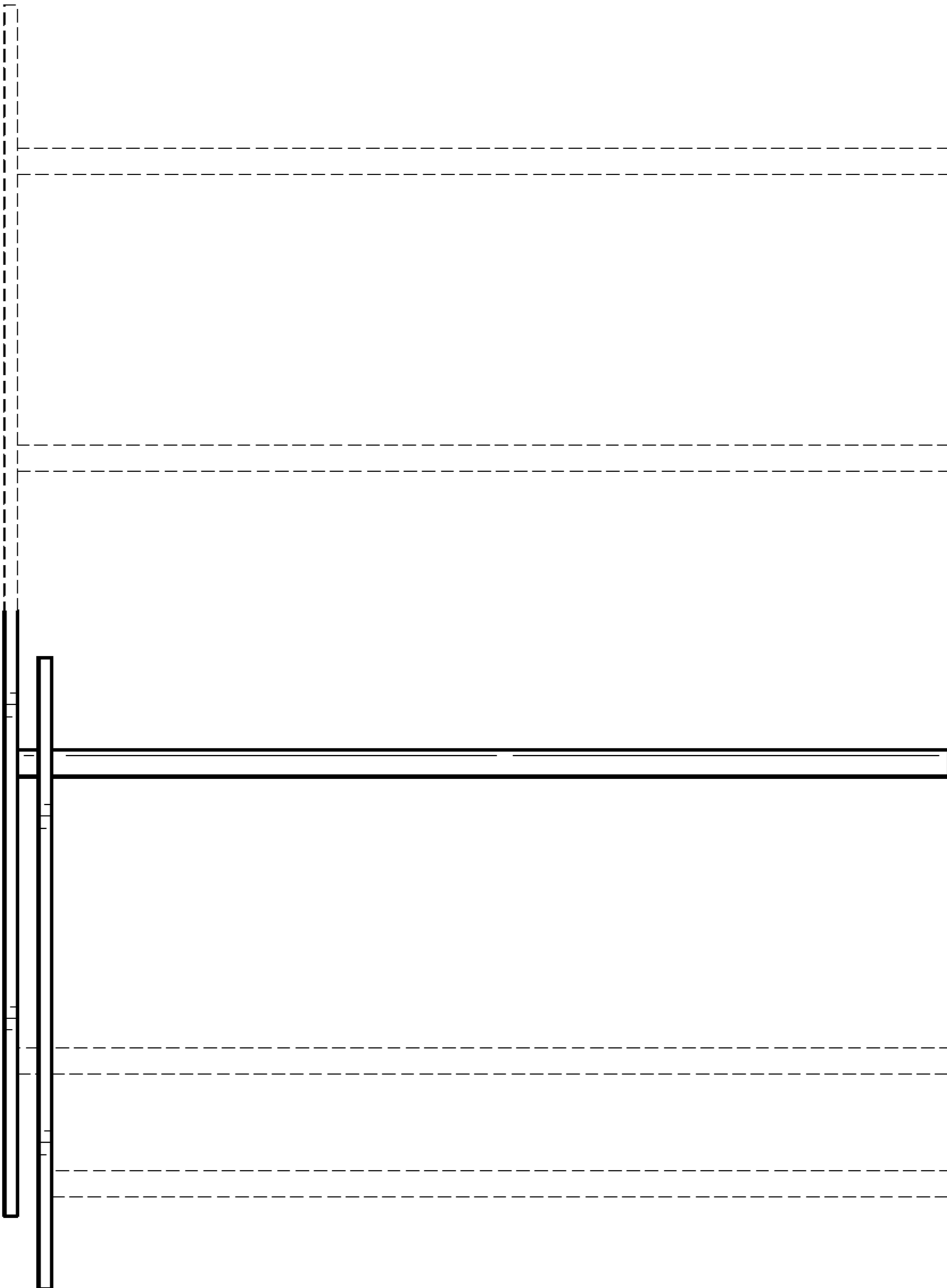


FIG. 5

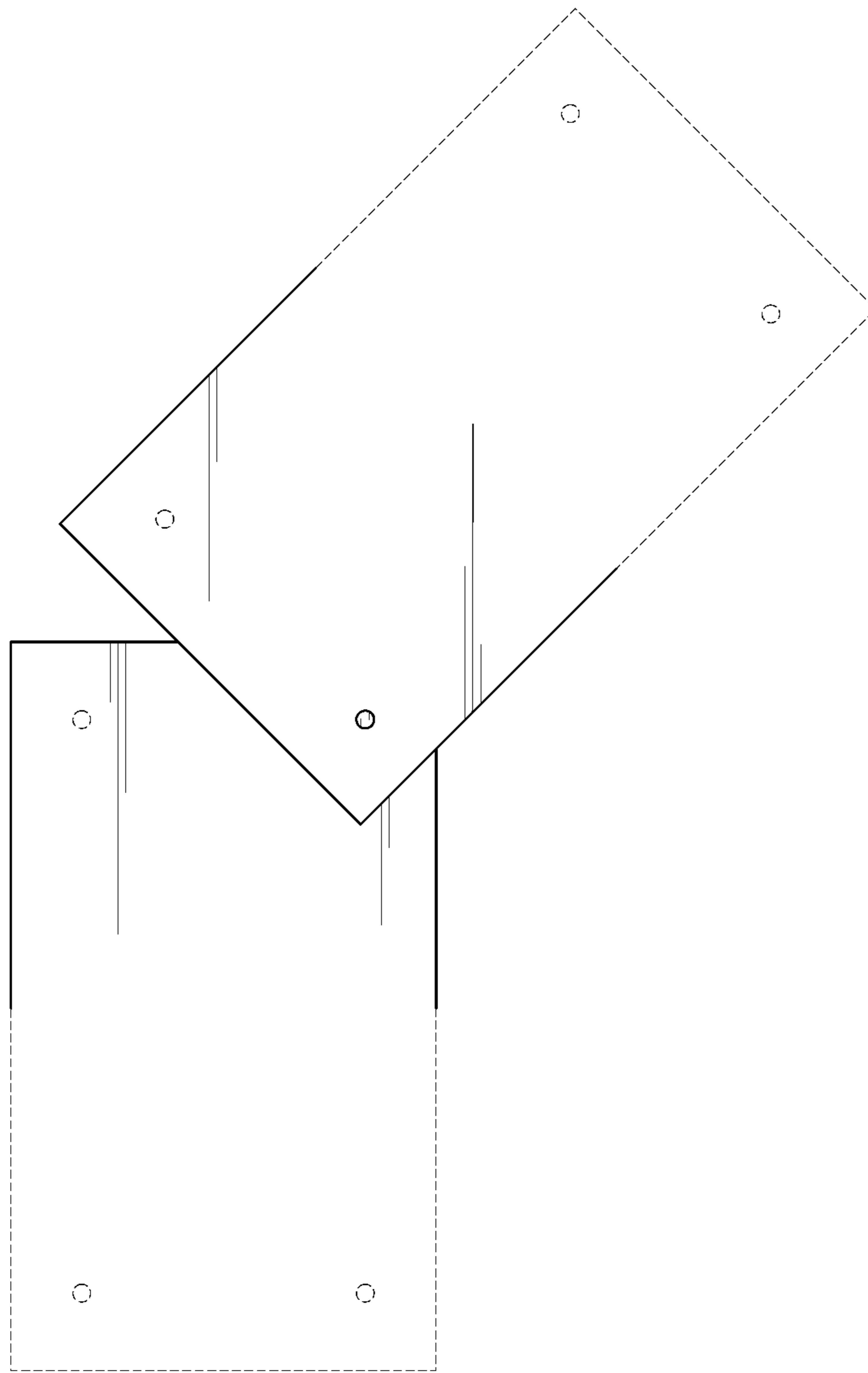


FIG. 6

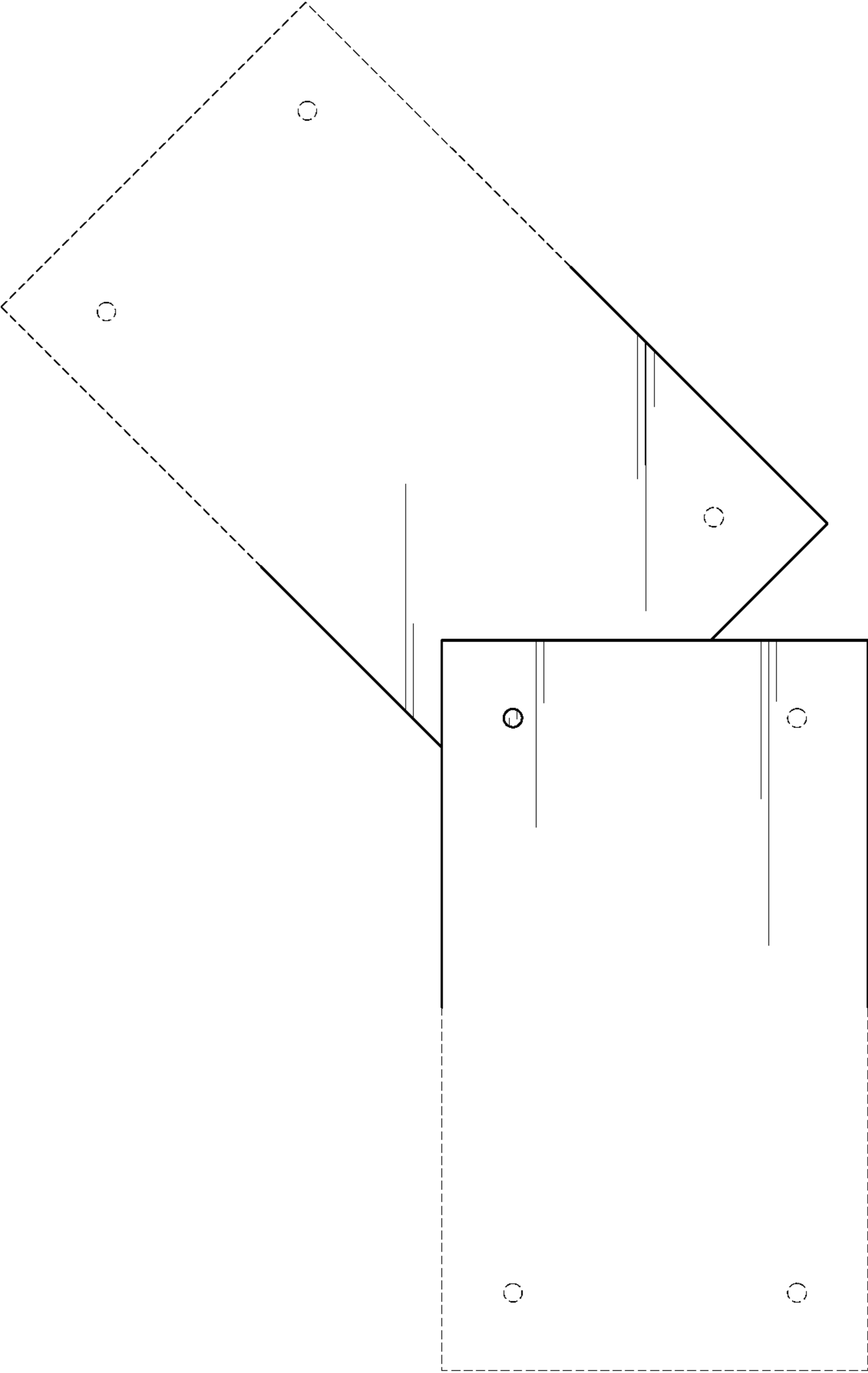


FIG. 7