



US00D681848S

(12) **United States Design Patent**
Gessford et al.

(10) **Patent No.:** **US D681,848 S**
(45) **Date of Patent:** **** May 7, 2013**

(54) **GATE**

(74) *Attorney, Agent, or Firm* — King & Schickli, PLLC

(71) Applicants: **Douglas K. Gessford**, Mt. Sterling, KY (US); **James D. Eason**, Lexington, KY (US); **Harold S. Elam**, Olympia, KY (US); **Dusty W. Goldie**, Mt. Sterling, KY (US); **Charles B. Millard**, Cincinnati, OH (US)

(57) **CLAIM**
The ornamental design for a gate, as shown and described.

(72) Inventors: **Douglas K. Gessford**, Mt. Sterling, KY (US); **James D. Eason**, Lexington, KY (US); **Harold S. Elam**, Olympia, KY (US); **Dusty W. Goldie**, Mt. Sterling, KY (US); **Charles B. Millard**, Cincinnati, OH (US)

DESCRIPTION

(73) Assignee: **Gateway Manufacturing, Inc.**, Mt. Sterling, KY (US)

FIG. 1 is an isometric view of the gate of the present invention in a retracted position;
FIG. 2 is a rear elevational view thereof;
FIG. 3 is a right side elevational view thereof;
FIG. 4 is a front elevational view thereof;
FIG. 5 is a left side elevational view thereof;
FIG. 6 is a top plan view thereof;
FIG. 7 is a bottom plan view thereof;
FIG. 8 is an isometric view of the present invention in an expanded position;
FIG. 9 is a rear elevational view thereof in the expanded position;
FIG. 10 is a front elevational view thereof in the expanded position;
FIG. 11 is a top plan view thereof in the expanded position;
FIG. 12 is a bottom plan view thereof in the expanded position;
FIG. 13 is a further isometric view of the gate of the present invention in a retracted position;
FIG. 14 is a rear elevational view thereof;
FIG. 15 is a right side elevational view thereof;
FIG. 16 is a front elevational view thereof;
FIG. 17 is a left side elevational view thereof;
FIG. 18 is a top plan view thereof;
FIG. 19 is a bottom plan view thereof;
FIG. 20 is an isometric view of the present invention in an expanded position;
FIG. 21 is a rear elevational view thereof in the expanded position;
FIG. 22 is a front elevational view thereof in the expanded position;
FIG. 23 is a top plan view thereof in the expanded position;
and,
FIG. 24 is a bottom plan view thereof in the expanded position.

(**) Term: **14 Years**

(21) Appl. No.: **29/436,980**

(22) Filed: **Nov. 12, 2012**

Related U.S. Application Data

(63) Continuation of application No. 29/392,330, filed on May 19, 2011, now Pat. No. Des. 670,792.

(51) **LOC (9) Cl.** **25-01**

(52) **U.S. Cl.**
USPC **D25/39**

(58) **Field of Classification Search** D25/38-39,
D25/48.5; 256/73, 24-25
See application file for complete search history.

(56) **References Cited**

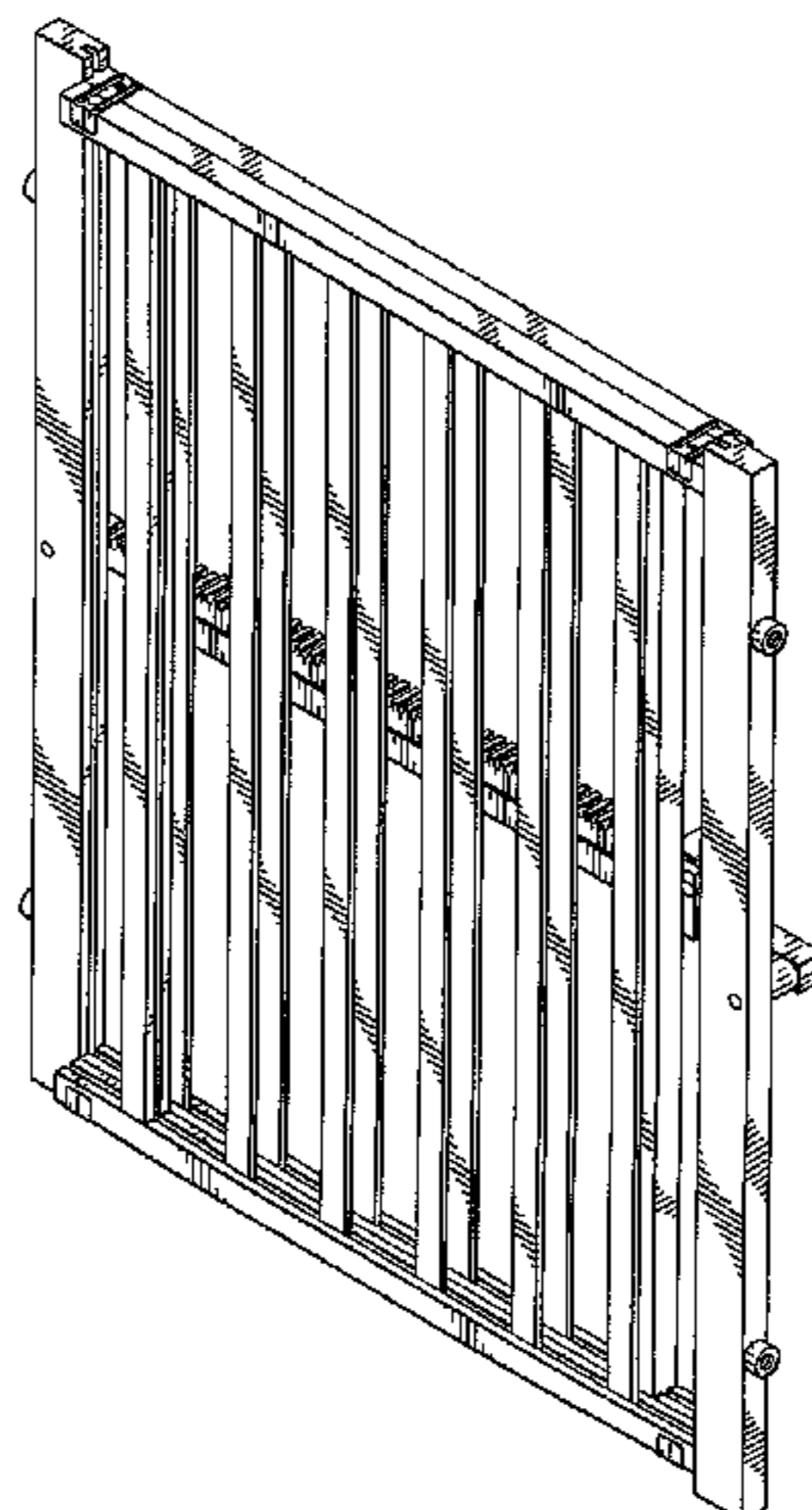
U.S. PATENT DOCUMENTS

D214,782 S * 7/1969 Wenzel D25/44
D626,660 S * 11/2010 Bertsch D25/48.5

* cited by examiner

Primary Examiner — Robert Delehanty

1 Claim, 14 Drawing Sheets



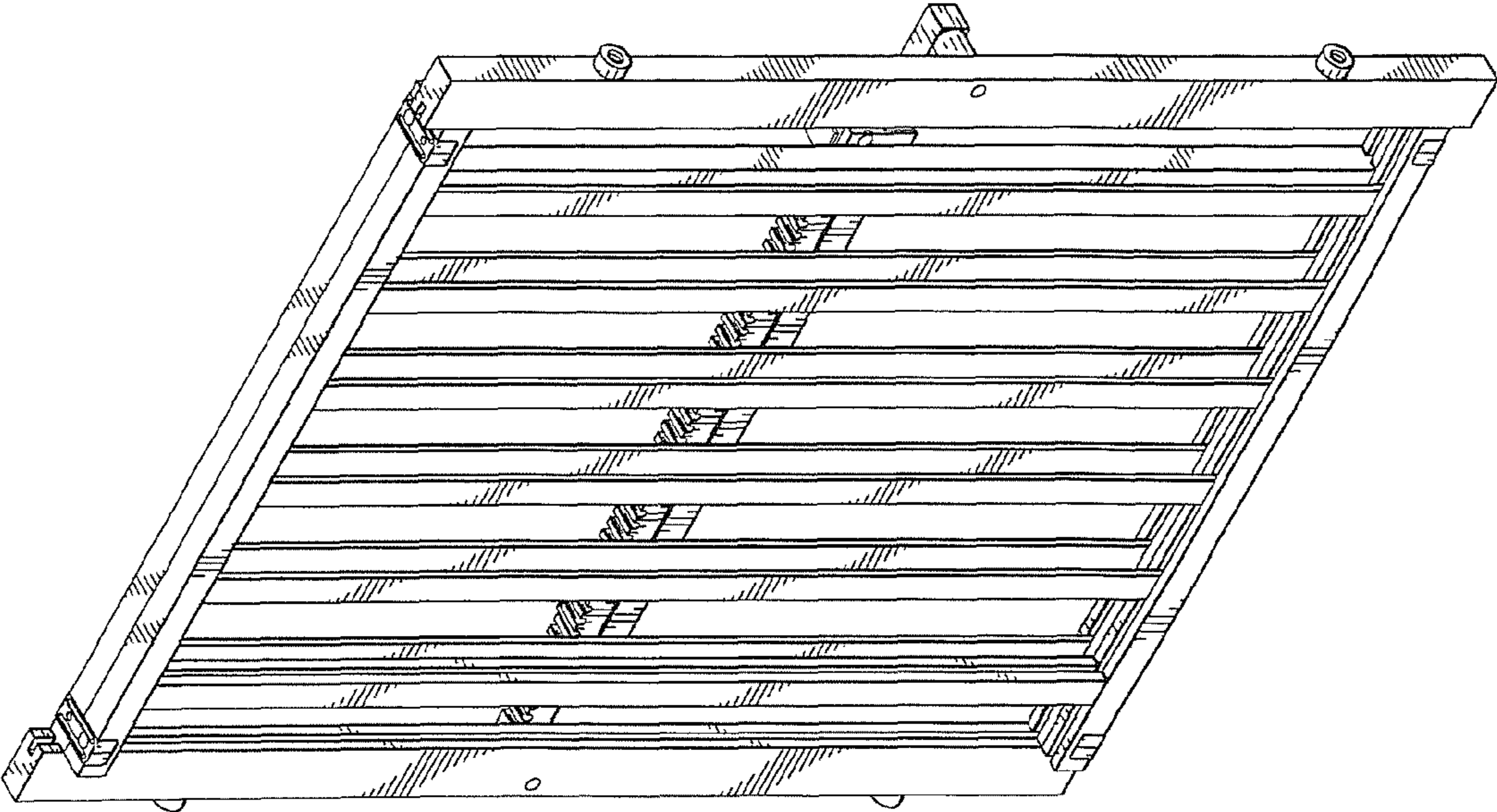


FIG. 1

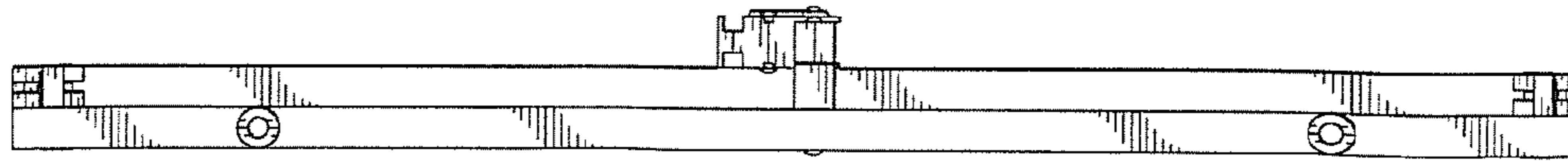


FIG. 3

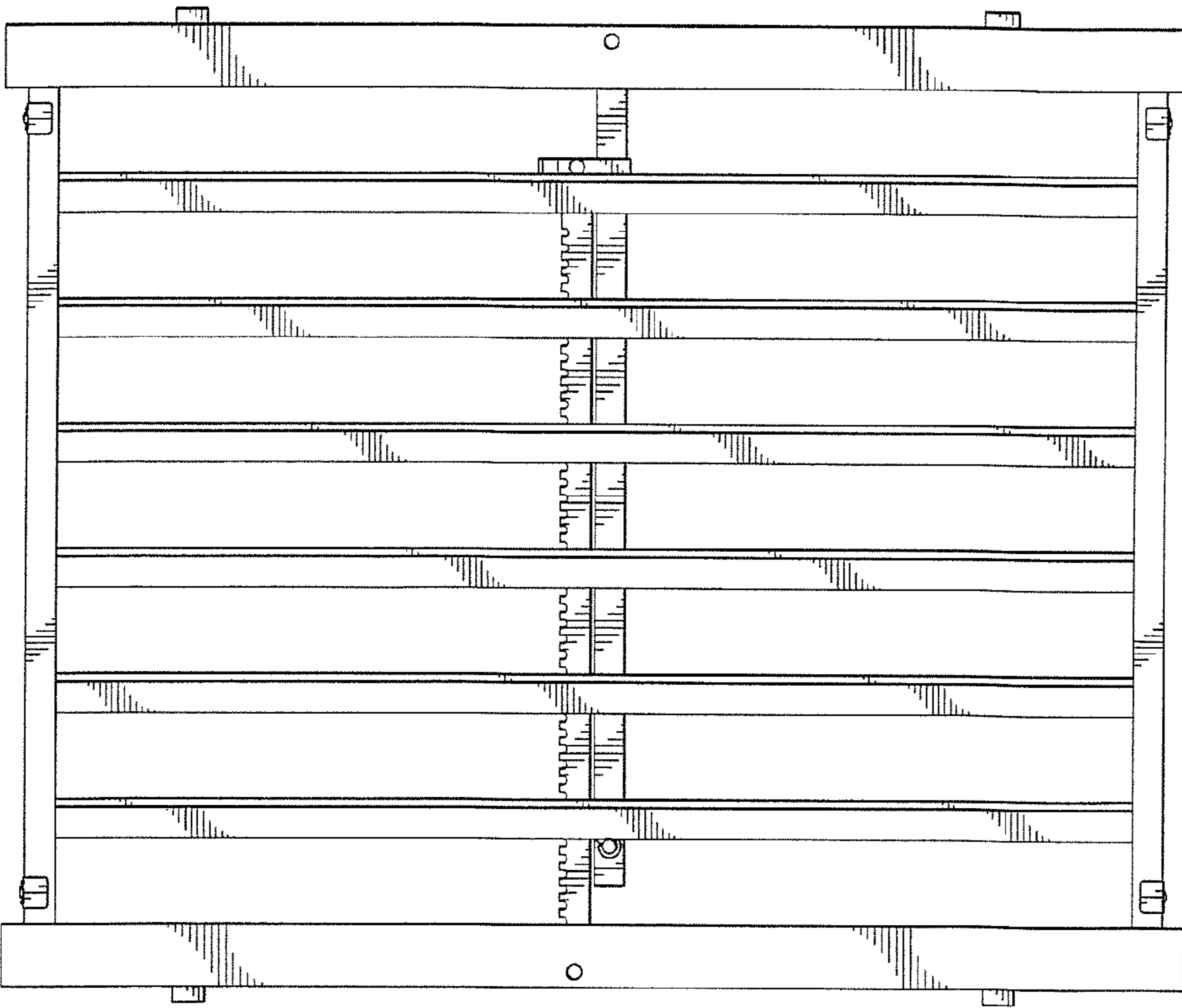


FIG. 2

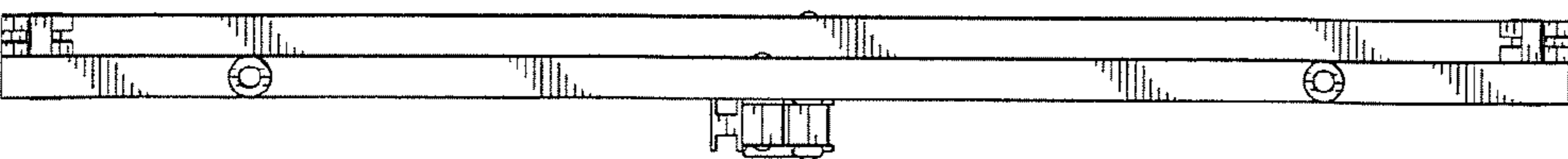


FIG. 5

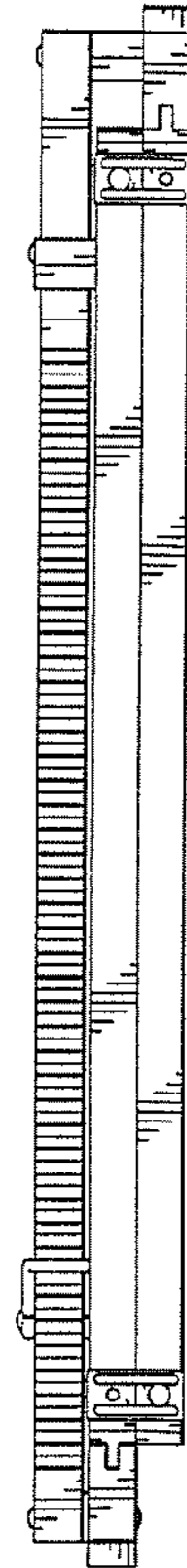


FIG. 6

FIG. 4

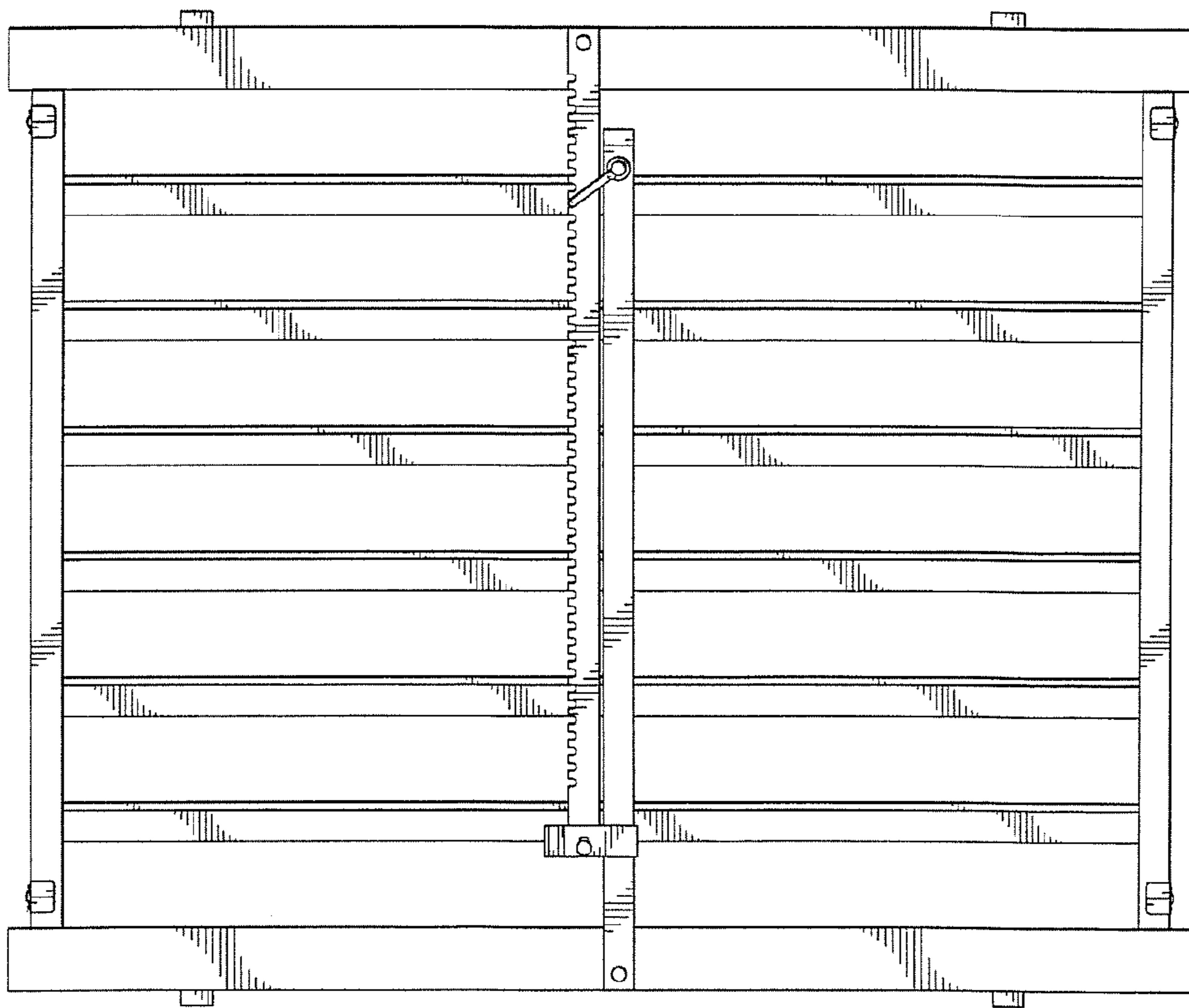
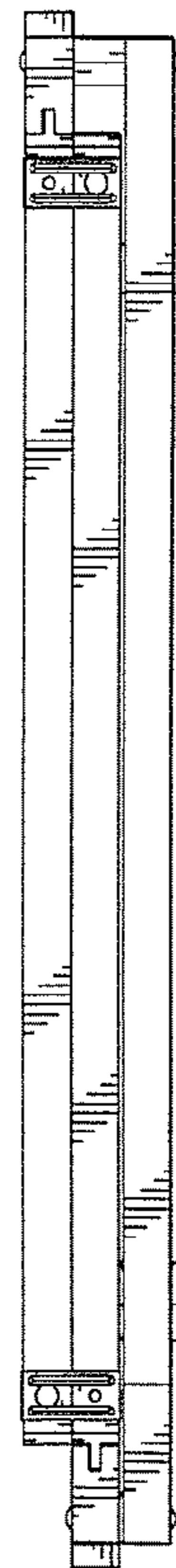


FIG. 7



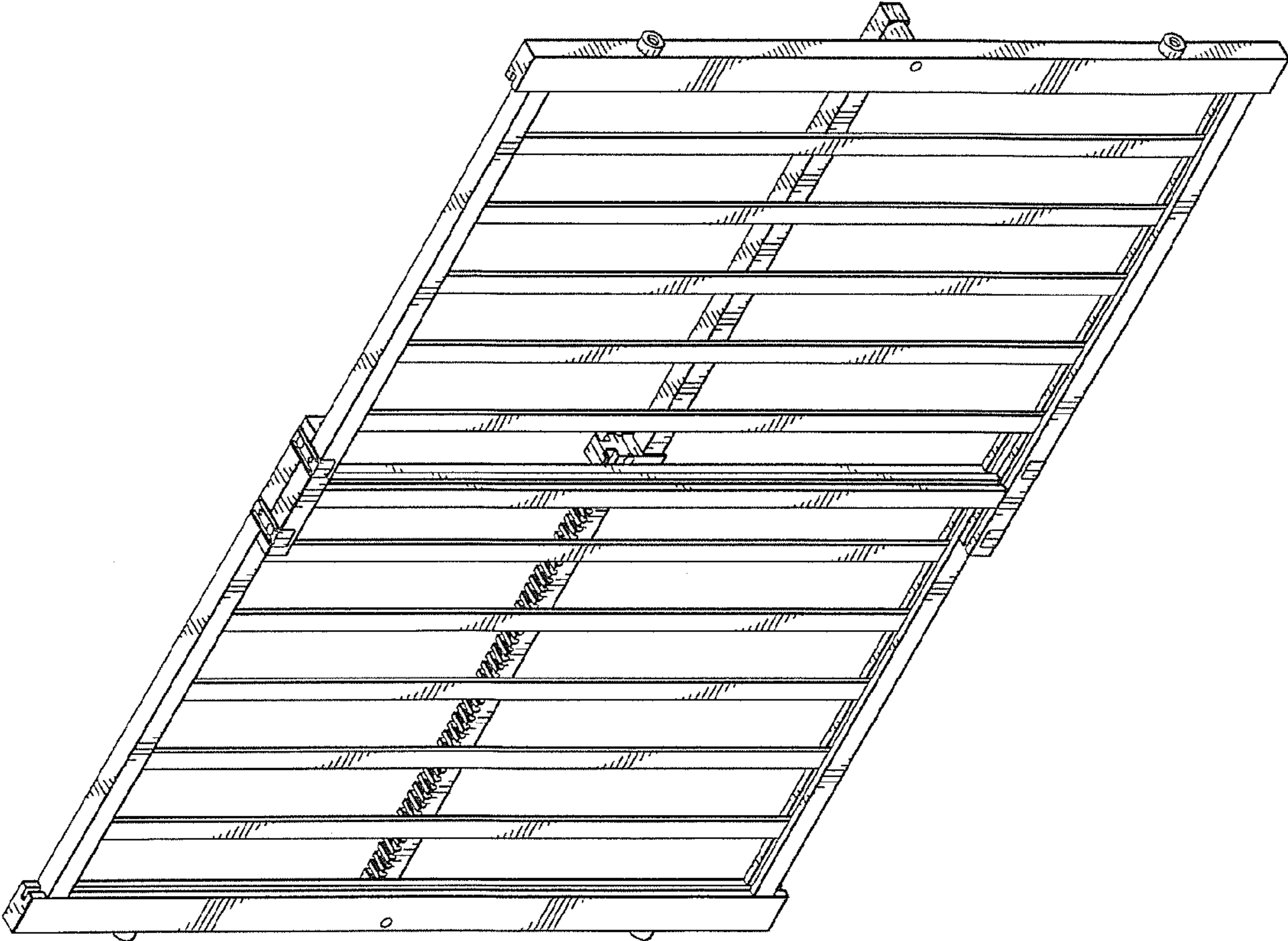


FIG. 8

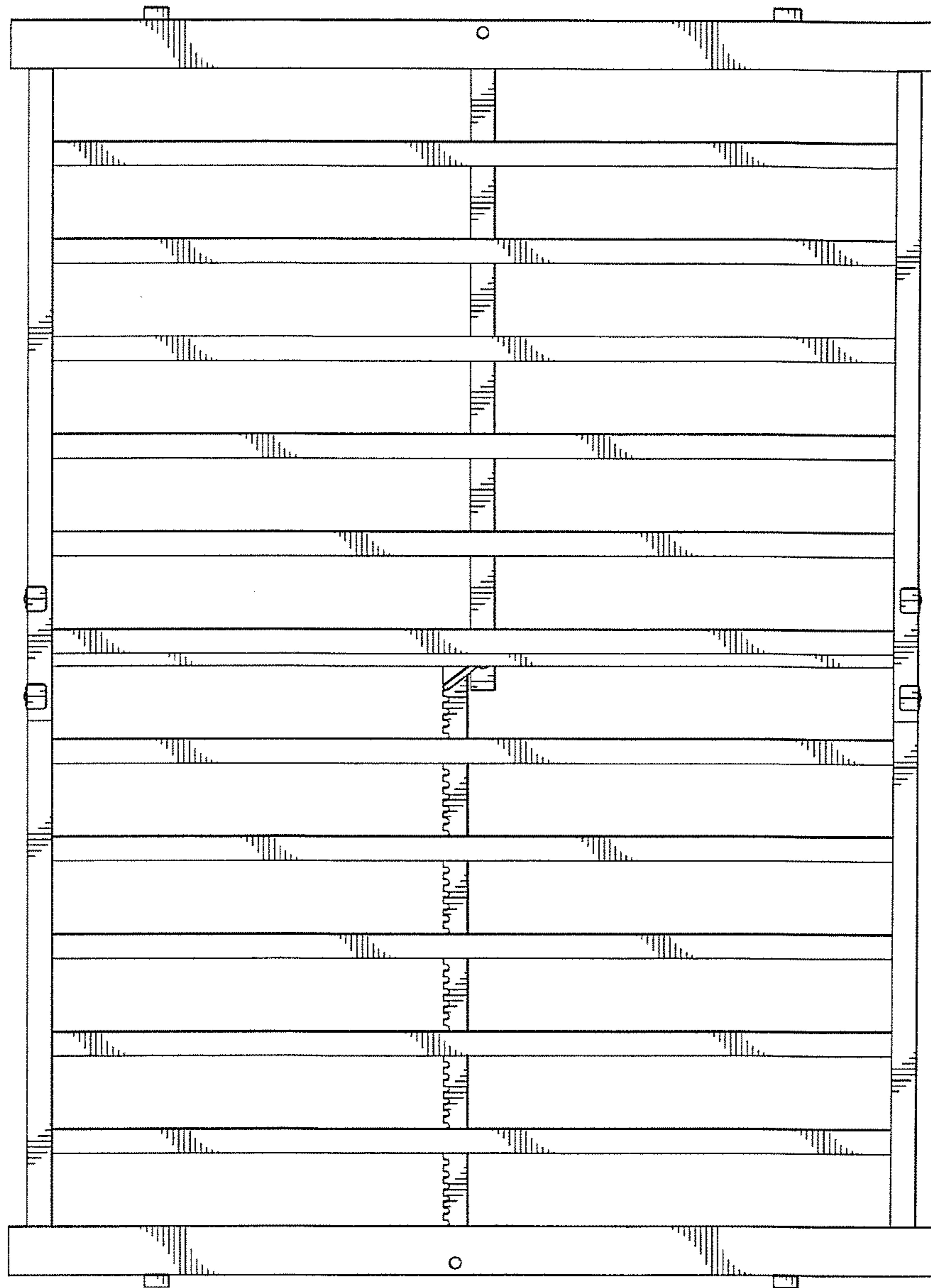


FIG. 9

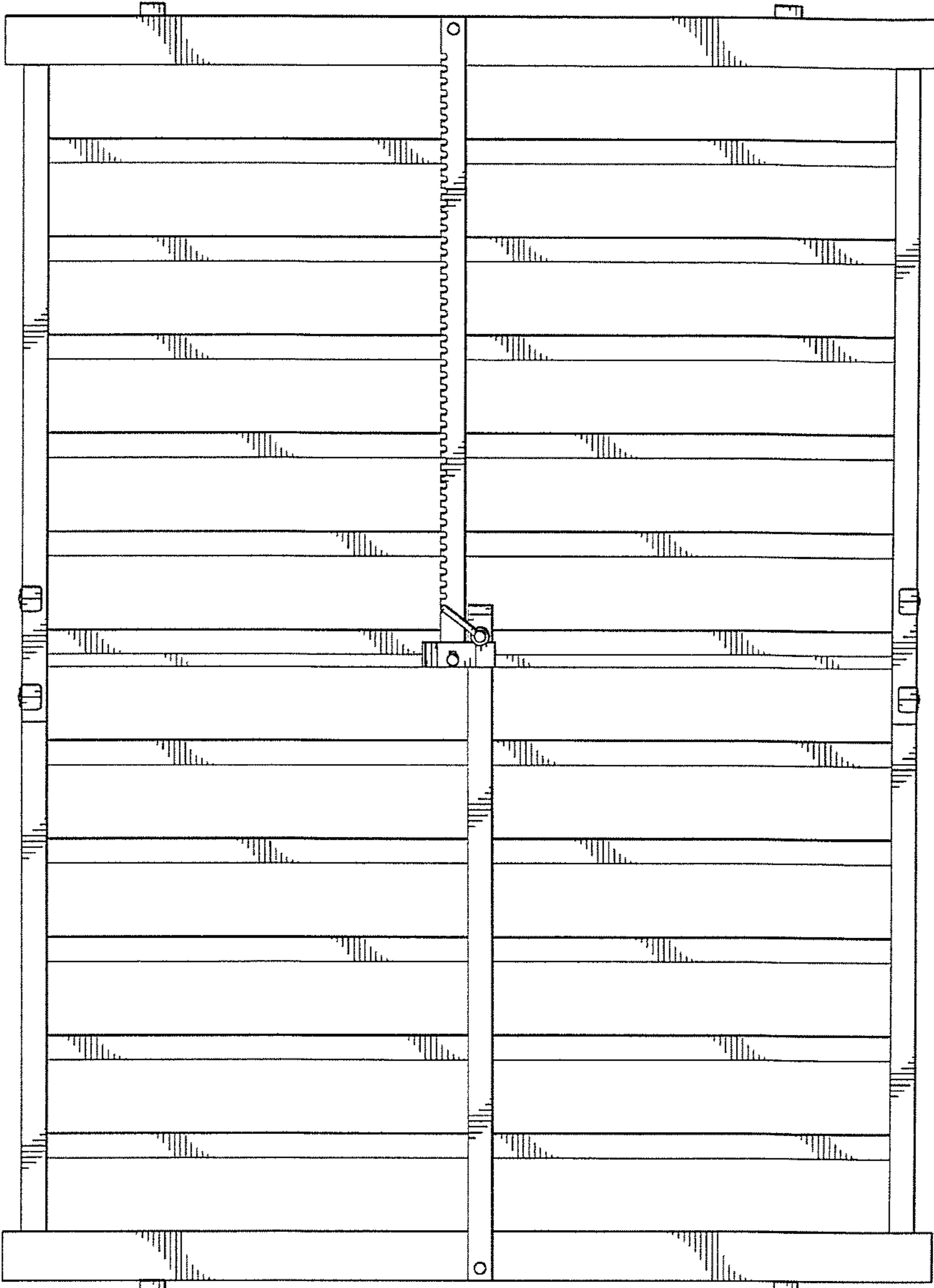


FIG. 10

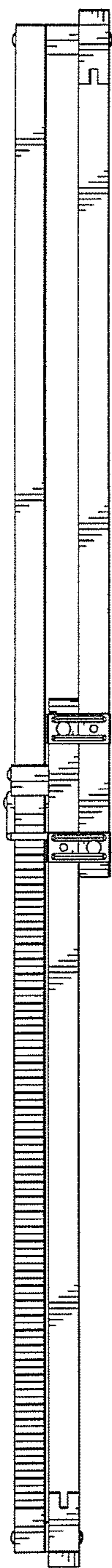


FIG. 11

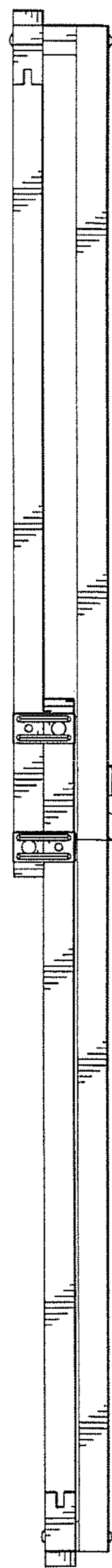


FIG. 12

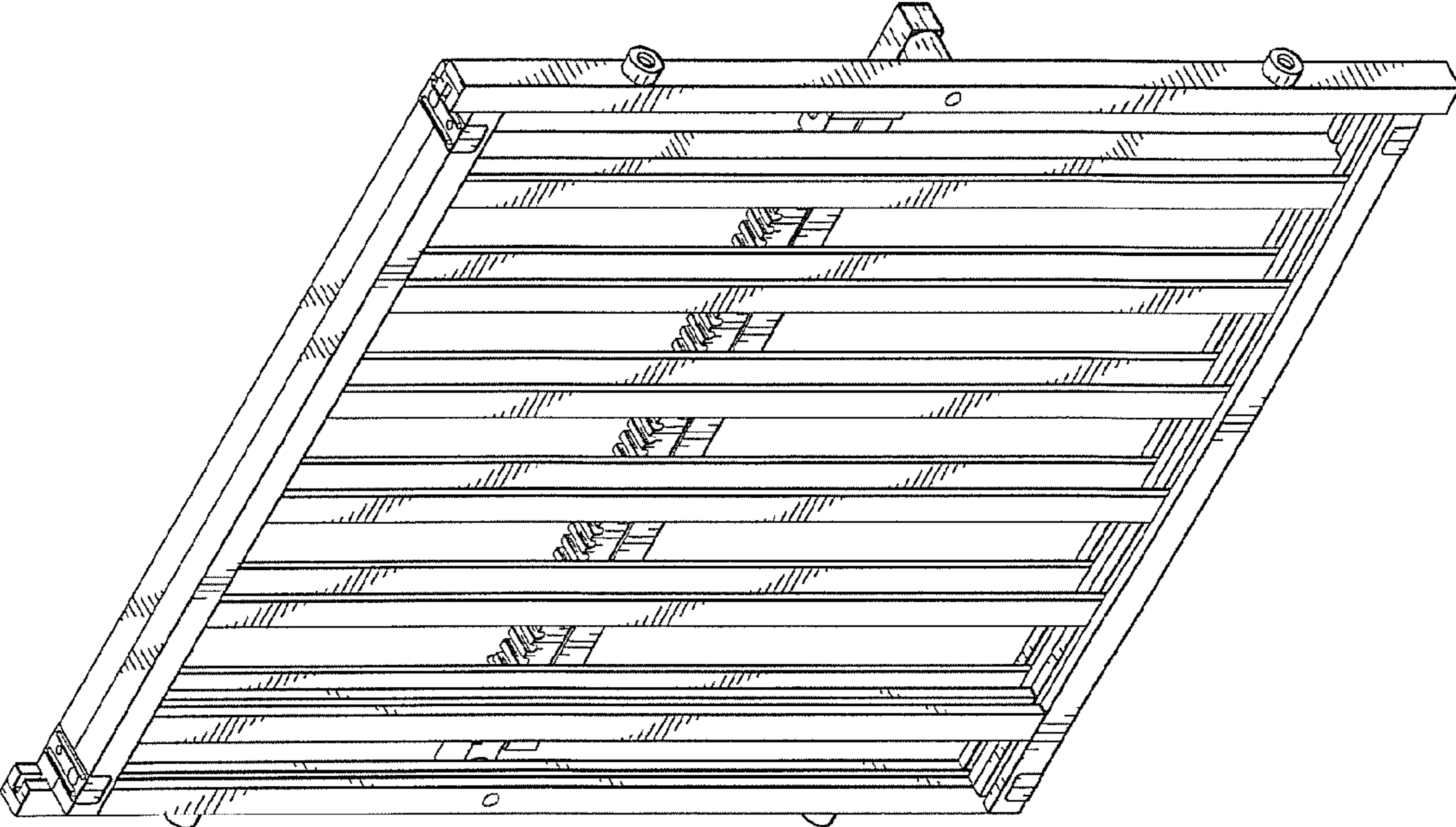


FIG. 13

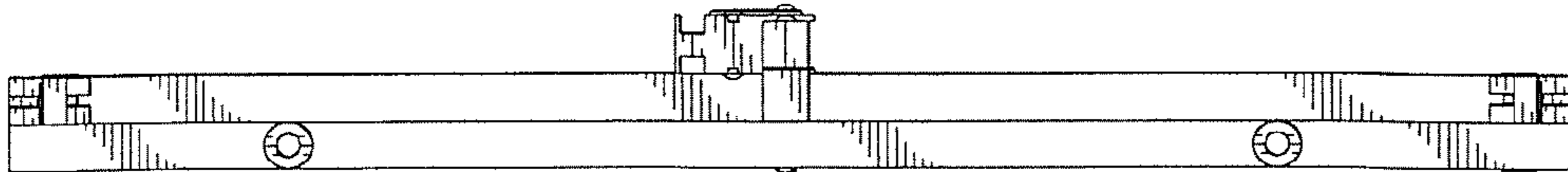


FIG. 15

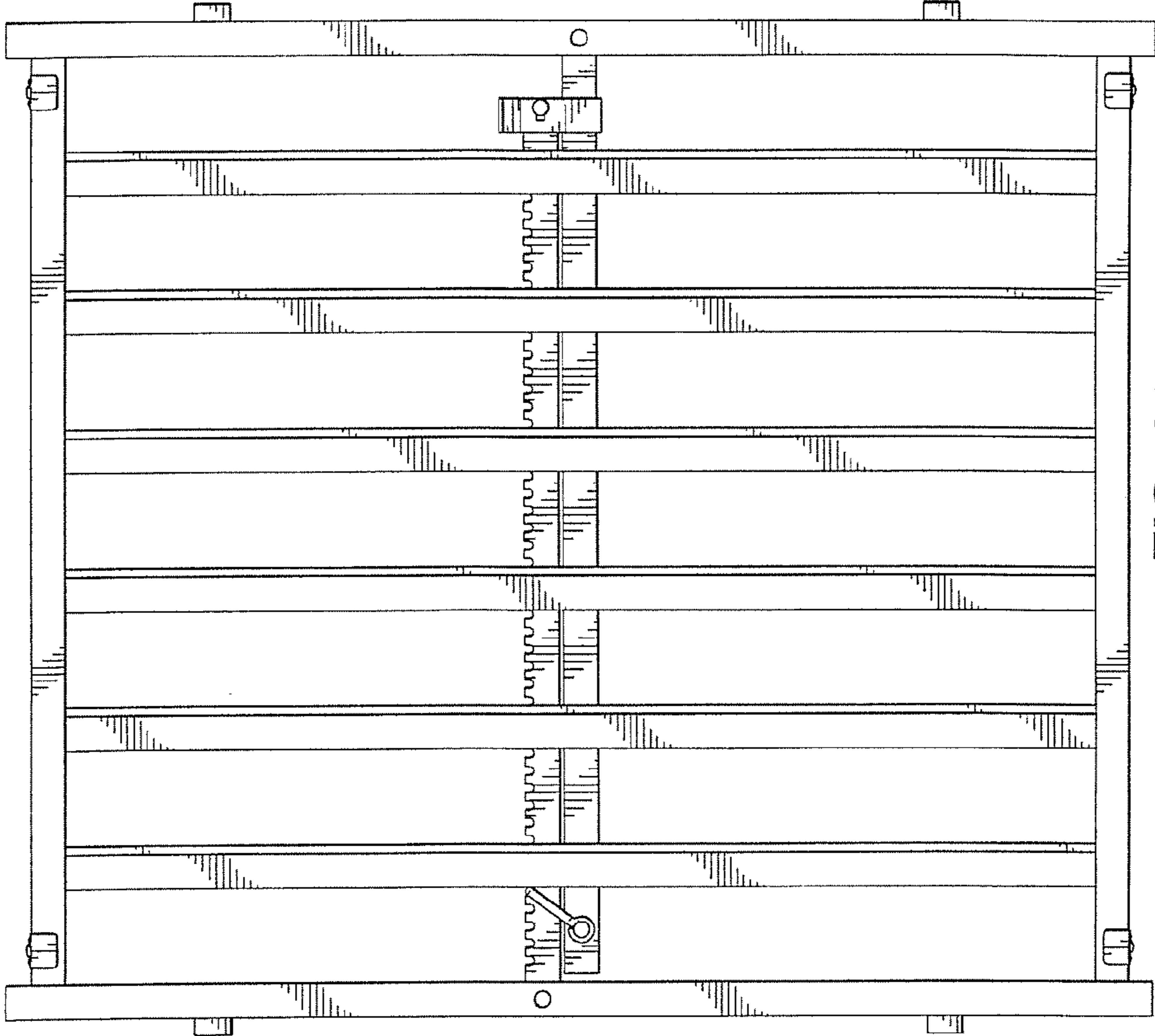


FIG. 14

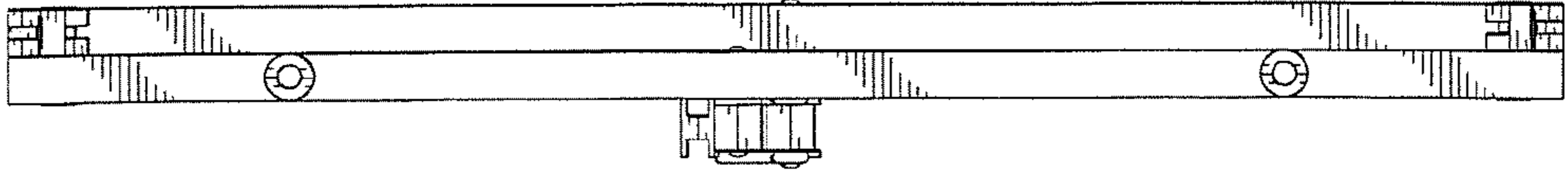


FIG. 17

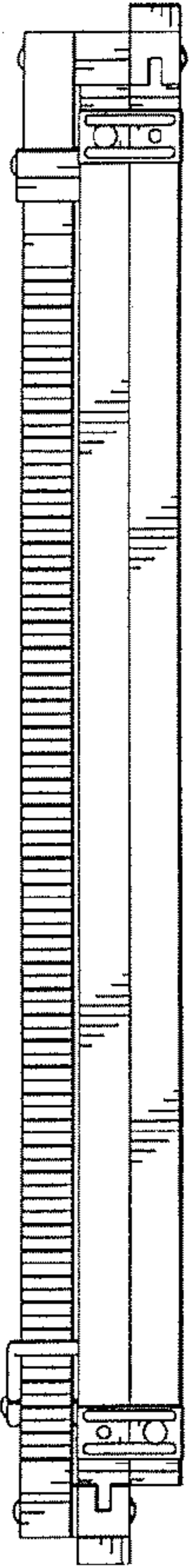


FIG. 18

FIG. 16

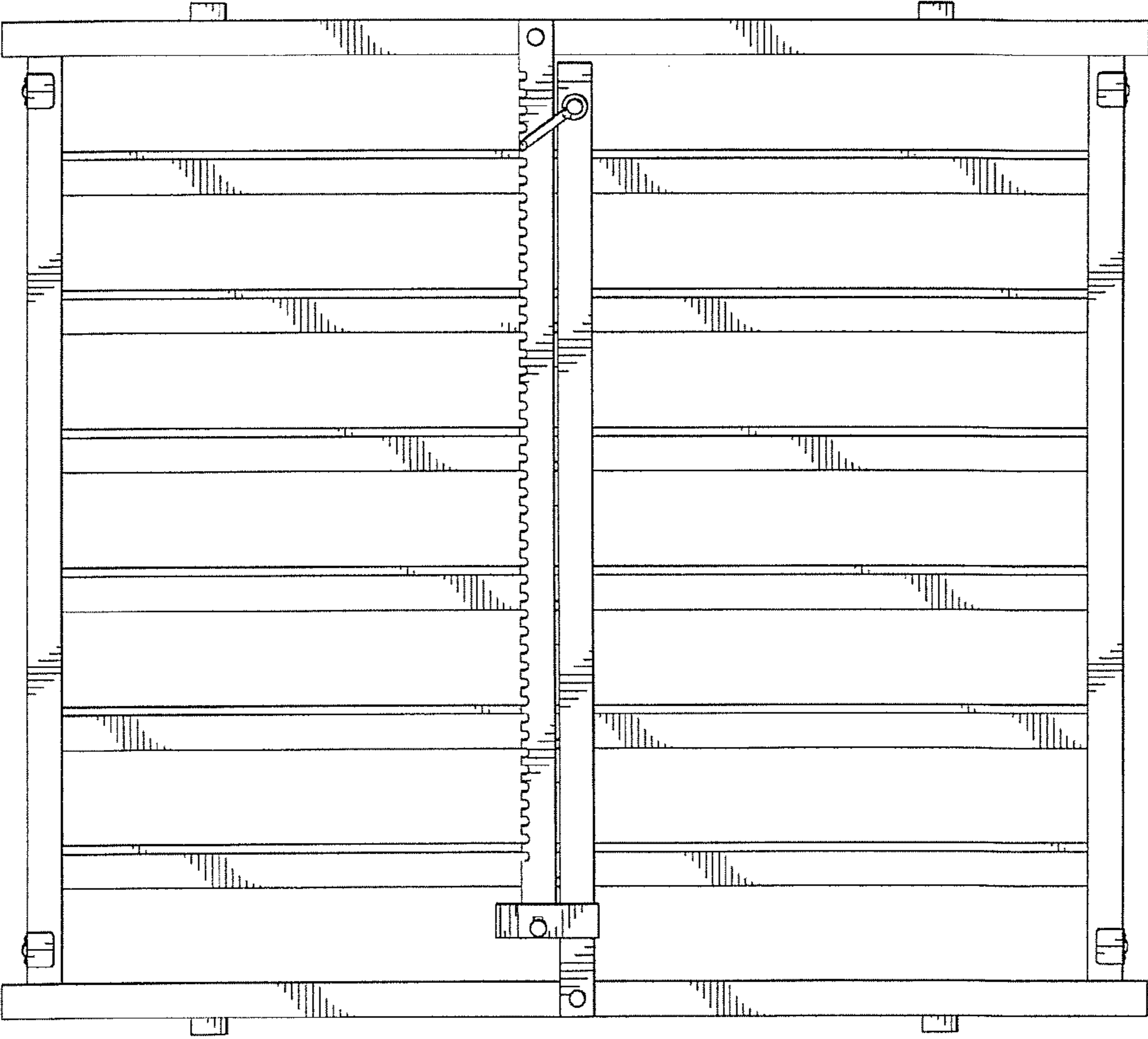
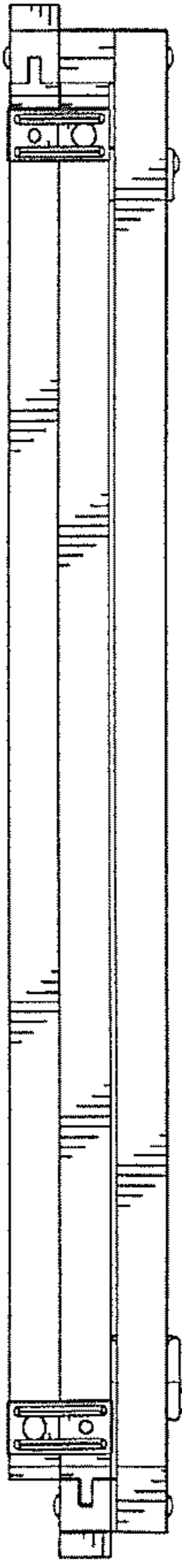


FIG. 19



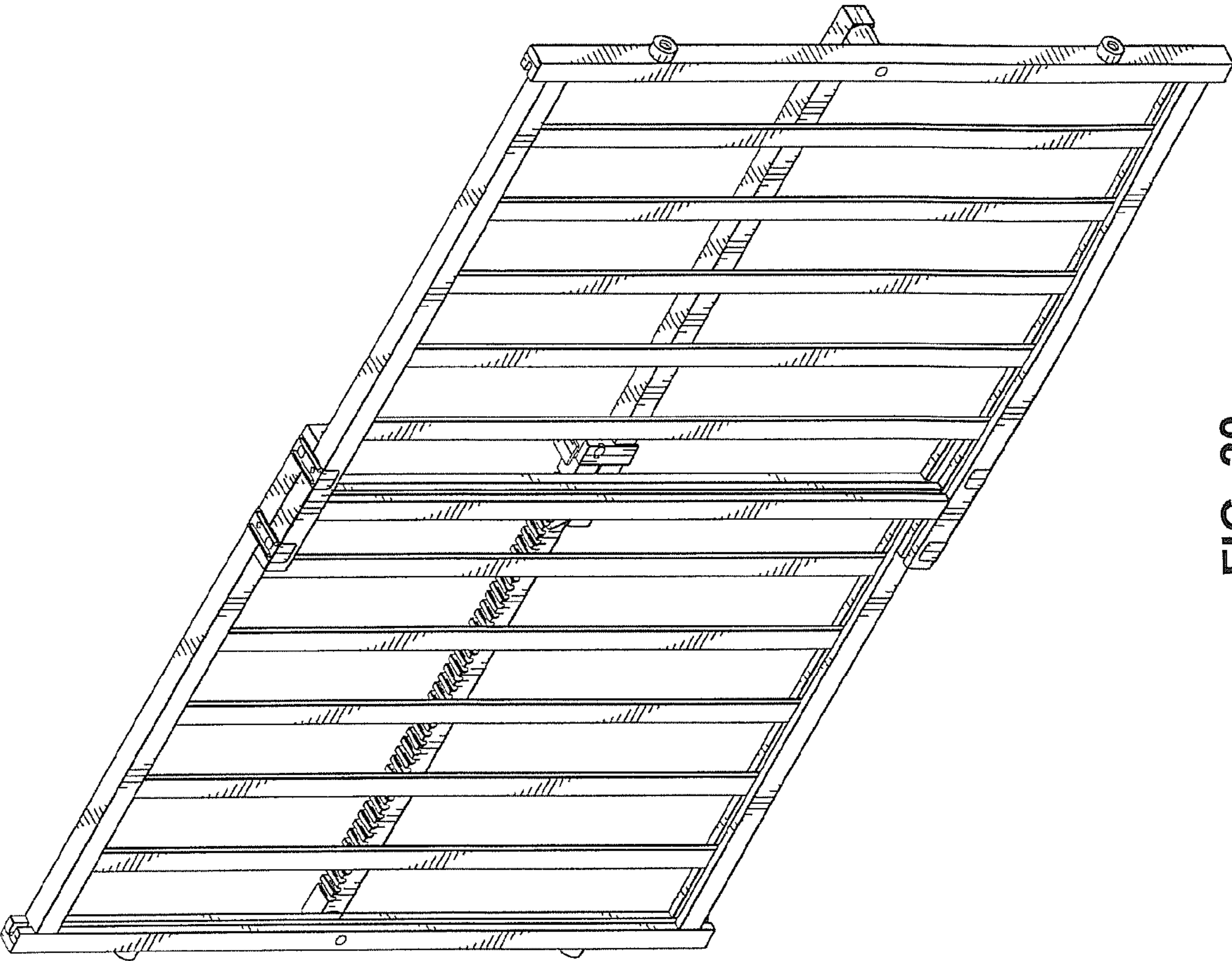


FIG. 20

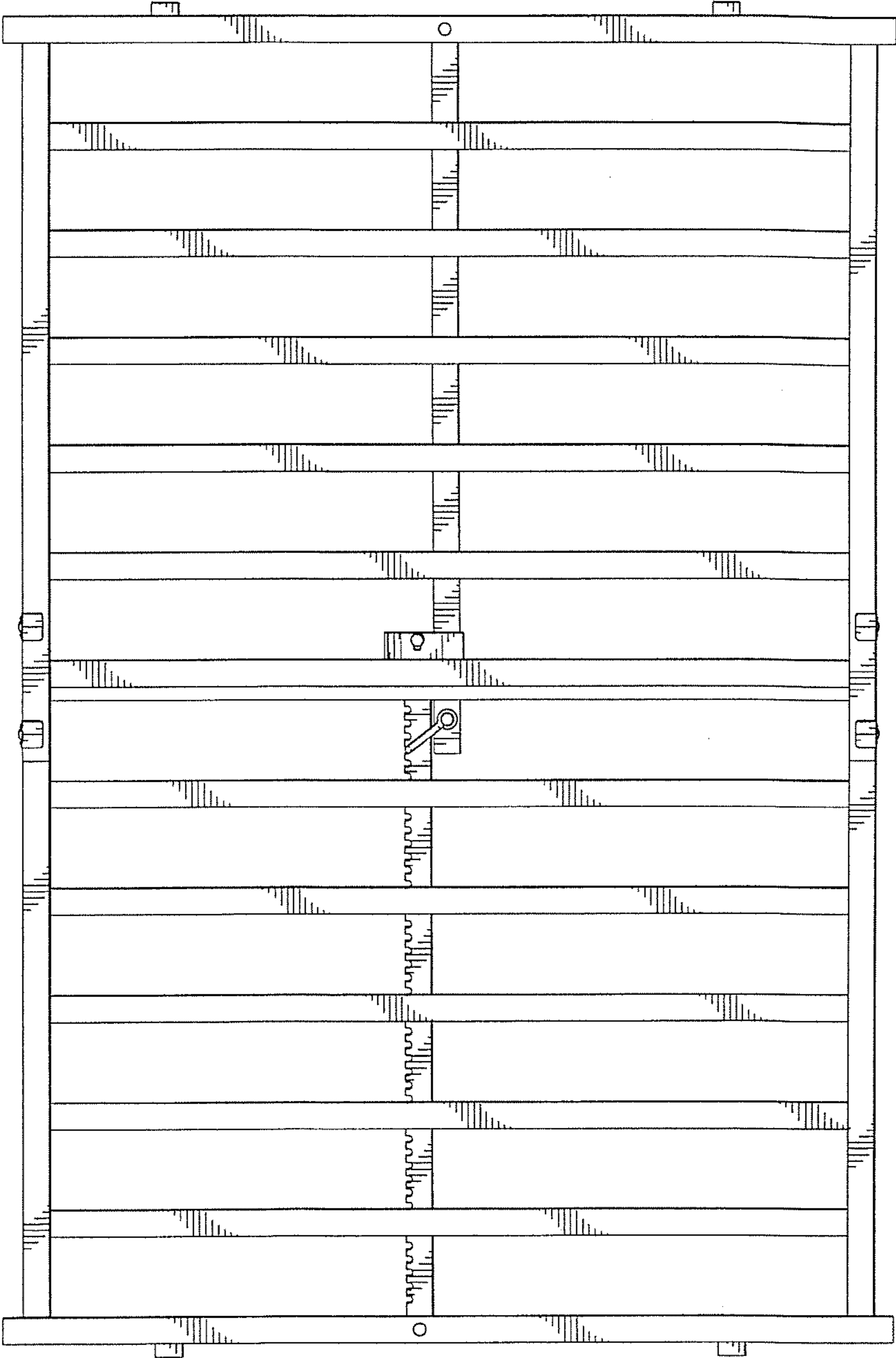


FIG. 21

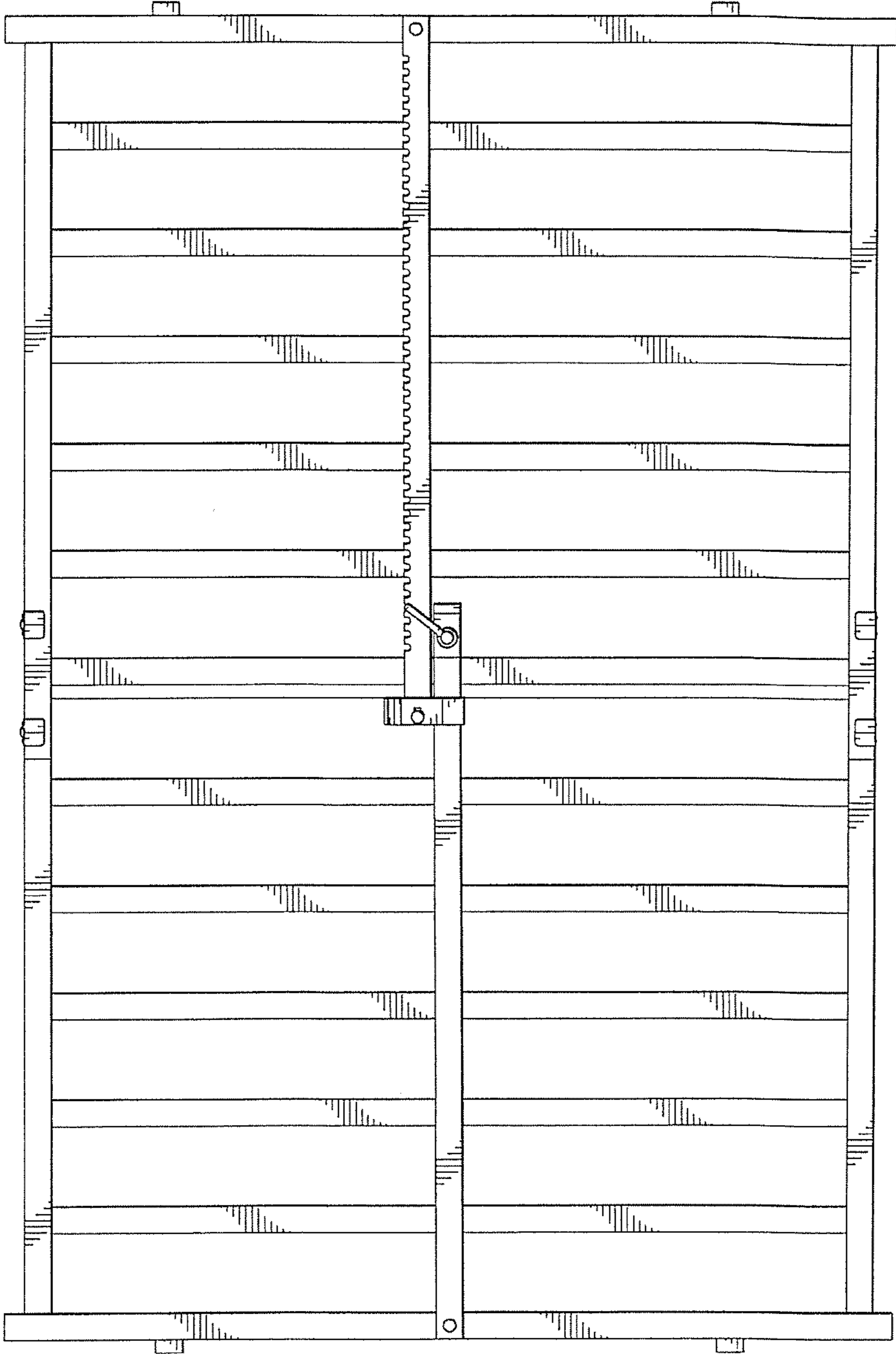


FIG. 22

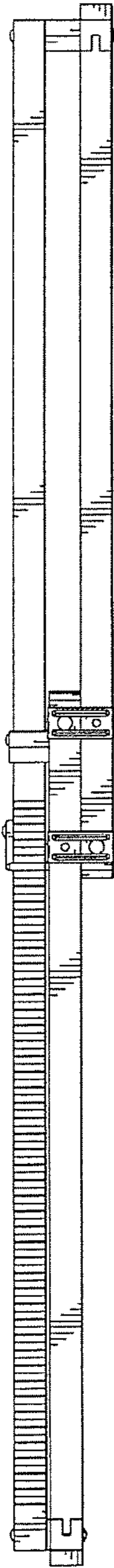


FIG. 23

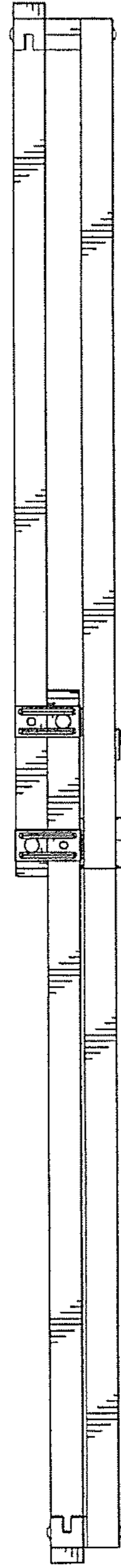


FIG. 24