



US00D681846S

(12) **United States Design Patent**
Wenzel

(10) **Patent No.:** **US D681,846 S**
(45) **Date of Patent:** **** May 7, 2013**

- (54) **POP-UP BATTING CAGE**
- (71) Applicant: **Bernard J. Wenzel**, Stratford, WI (US)
- (72) Inventor: **Bernard J. Wenzel**, Stratford, WI (US)
- (**) Term: **14 Years**
- (21) Appl. No.: **29/433,942**
- (22) Filed: **Oct. 6, 2012**
- (51) **LOC (9) Cl.** **25-03**
- (52) **U.S. Cl.**
USPC **D25/1**
- (58) **Field of Classification Search** D25/1,
D25/18-19, 58; D21/834; 473/161, 415,
473/421; 135/124-126, 130, 137
See application file for complete search history.

(56) **References Cited**

U.S. PATENT DOCUMENTS

84,381	A *	11/1868	Seaman	135/137
684,086	A *	10/1901	McCall	135/125
2,292,109	A	8/1942	Engel	
2,856,941	A	10/1958	O'Neal	
3,240,217	A	3/1966	Bird	
3,629,982	A	12/1971	Ballay	
3,820,553	A *	6/1974	Huddle	135/130
3,929,145	A	12/1975	Schroeder	
D276,466	S	11/1984	Giovagnoli	
4,733,865	A	3/1988	Reed	
4,815,736	A	3/1989	Wright	
D304,240	S	10/1989	Wright	
5,409,230	A *	4/1995	Dunaway et al.	473/161
D366,530	S *	1/1996	Spitz et al.	D25/18
5,634,638	A *	6/1997	Havens et al.	473/421
5,655,766	A *	8/1997	Klebe, Jr.	473/421
D409,310	S *	5/1999	Goldwitz	D25/1
D415,571	S *	10/1999	Goldwitz	D25/1

6,019,112	A *	2/2000	Matlock	135/124
D484,610	S *	12/2003	Lockwood	D25/1
6,688,256	B1 *	2/2004	King	119/474
D493,505	S *	7/2004	Arthur	D21/834
6,939,255	B2 *	9/2005	Peterson	473/415
7,134,443	B1	11/2006	Shires	
D549,836	S *	8/2007	Desbiens	D25/19
D603,529	S *	11/2009	VanElverdinghe	D25/56
7,931,039	B2 *	4/2011	Yang	135/126
D658,779	S	5/2012	Sovereign	
8,172,703	B2	5/2012	Lay	
2002/0098920	A1	7/2002	Bruyer	

* cited by examiner

Primary Examiner — T. Chase Nelson

Assistant Examiner — Kathleen M Sims

(74) *Attorney, Agent, or Firm* — QuickPatents; Kevin Prince

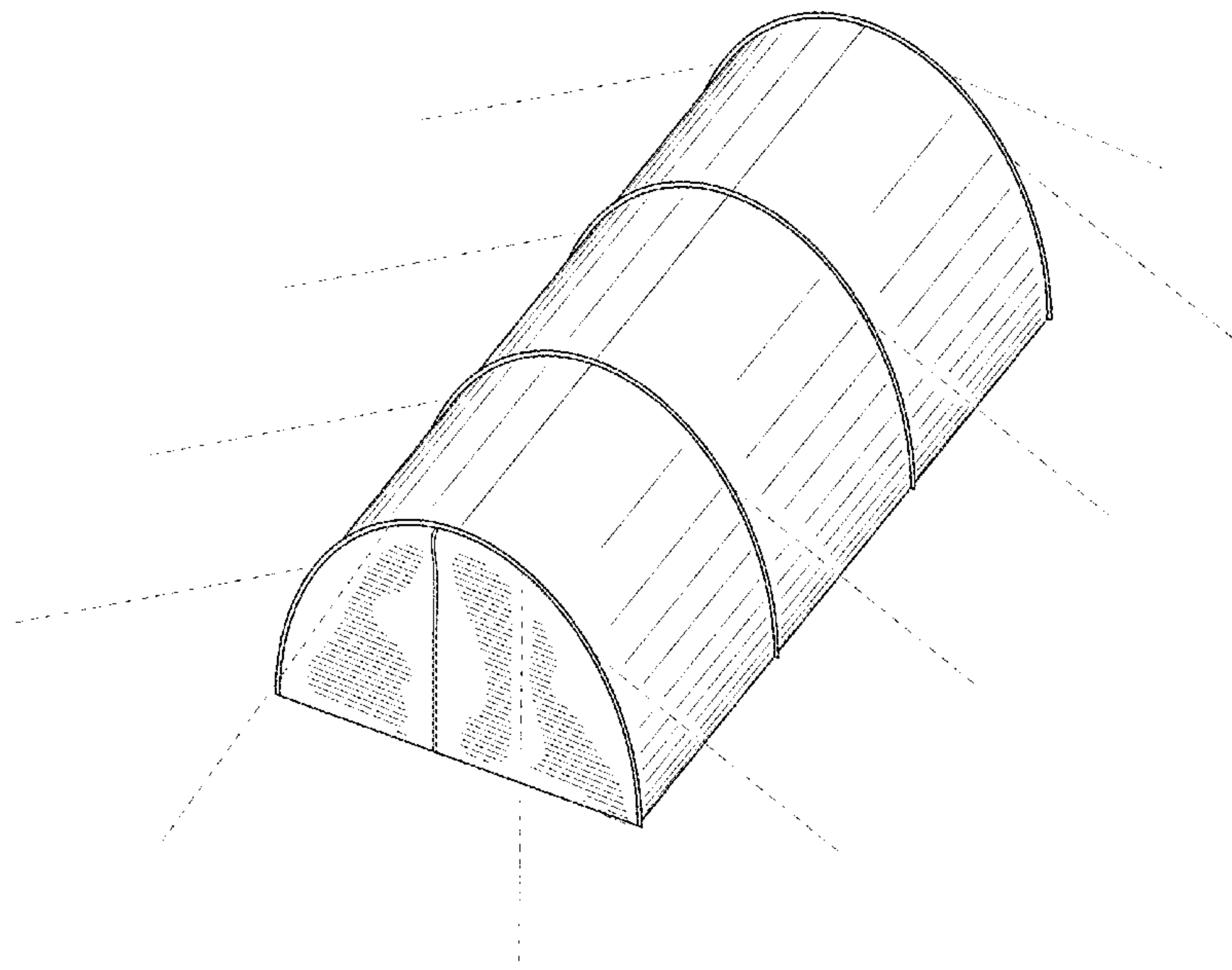
(57) **CLAIM**

I claim the ornamental design for a pop-up batting cage, as shown and described.

DESCRIPTION

FIG. 1 is a perspective view of a pop-up batting cage, showing my new design;
 FIG. 2 is a front elevational view thereof, the rear elevational view being a mirror image thereof;
 FIG. 3 is a left-side elevational view thereof, the right-side elevational view being a mirror image thereof;
 FIG. 4 is a top plan view thereof;
 FIG. 5 is a bottom plan view thereof;
 FIG. 6 is a cross-sectional view thereof; and,
 FIG. 7 is a bottom perspective view thereof.
 The broken line showing of tie ropes in FIG. 1 is included for the purpose of showing environmental matter that forms no part of the claimed design.

1 Claim, 4 Drawing Sheets



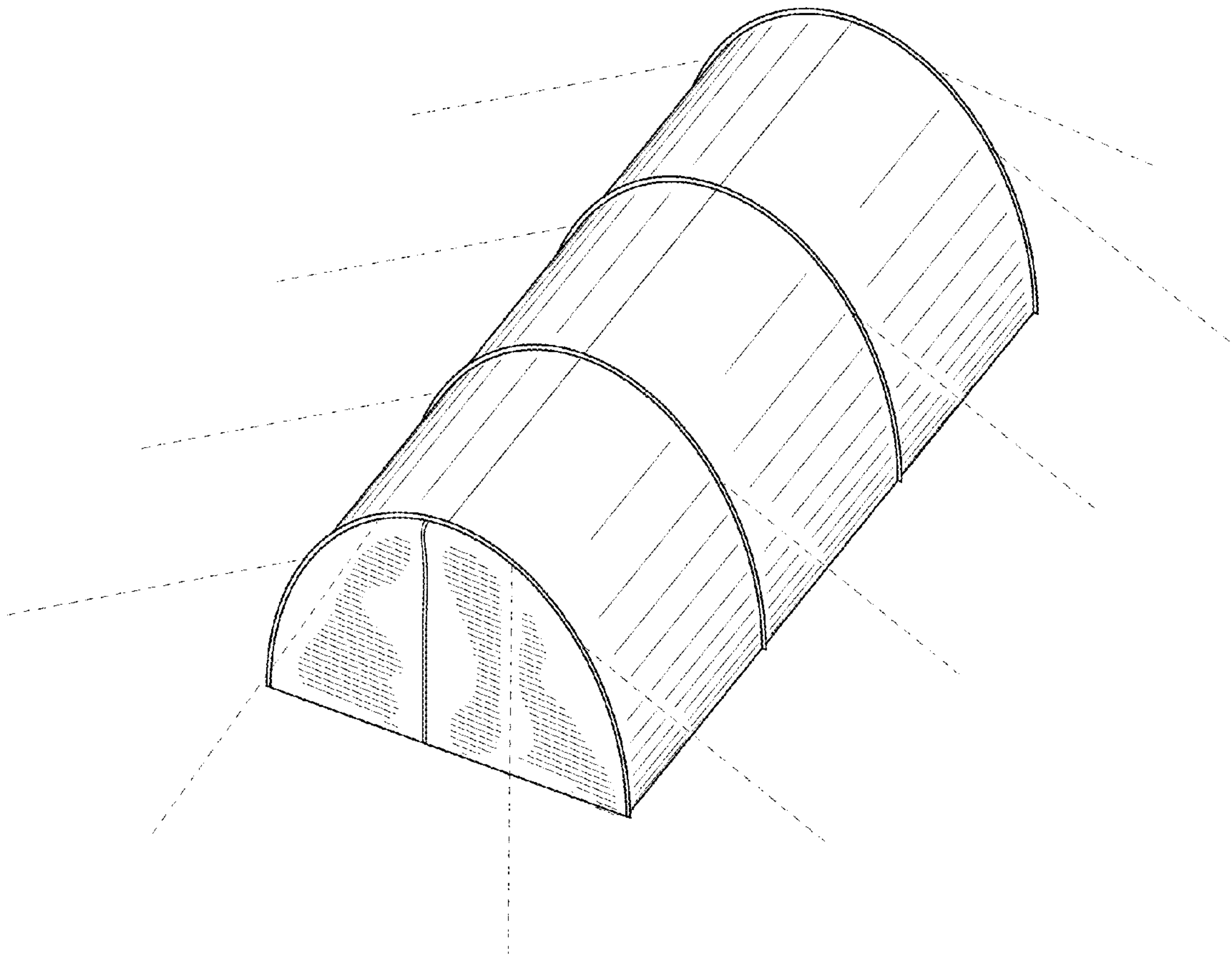


FIG. 1

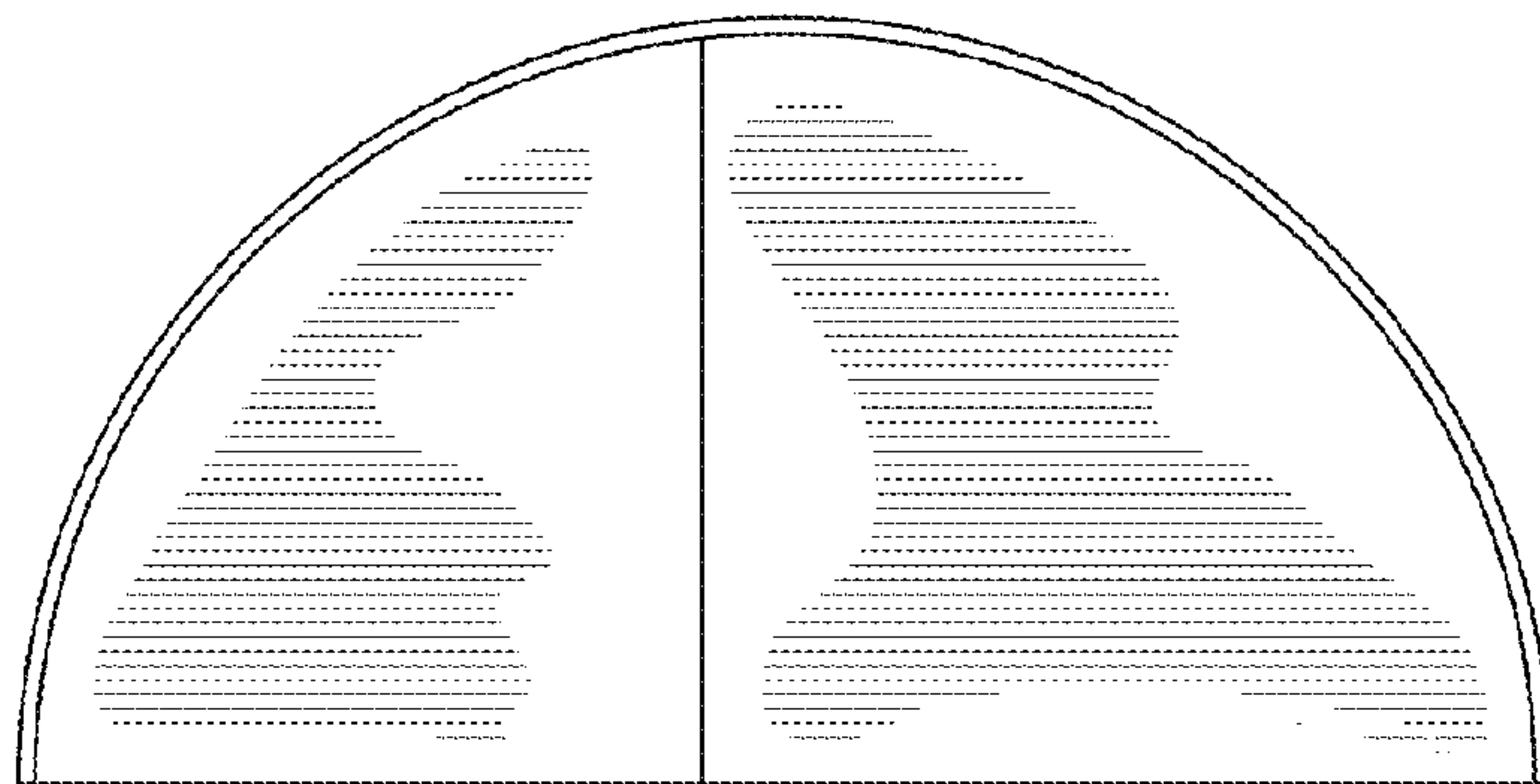


FIG. 2

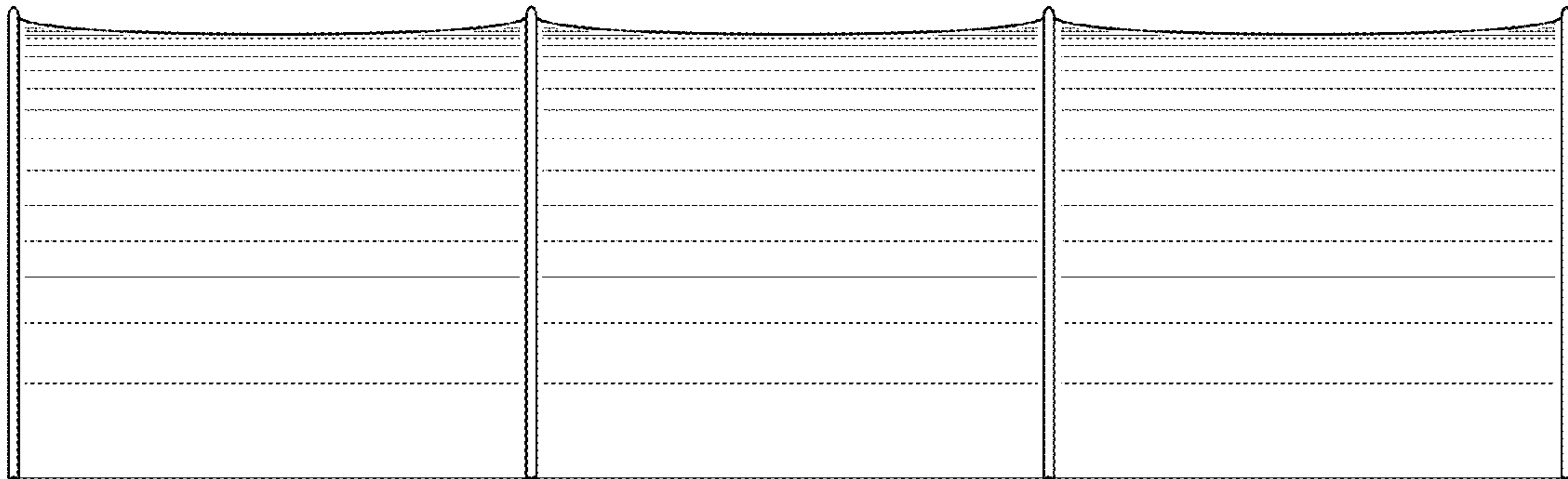


FIG. 3

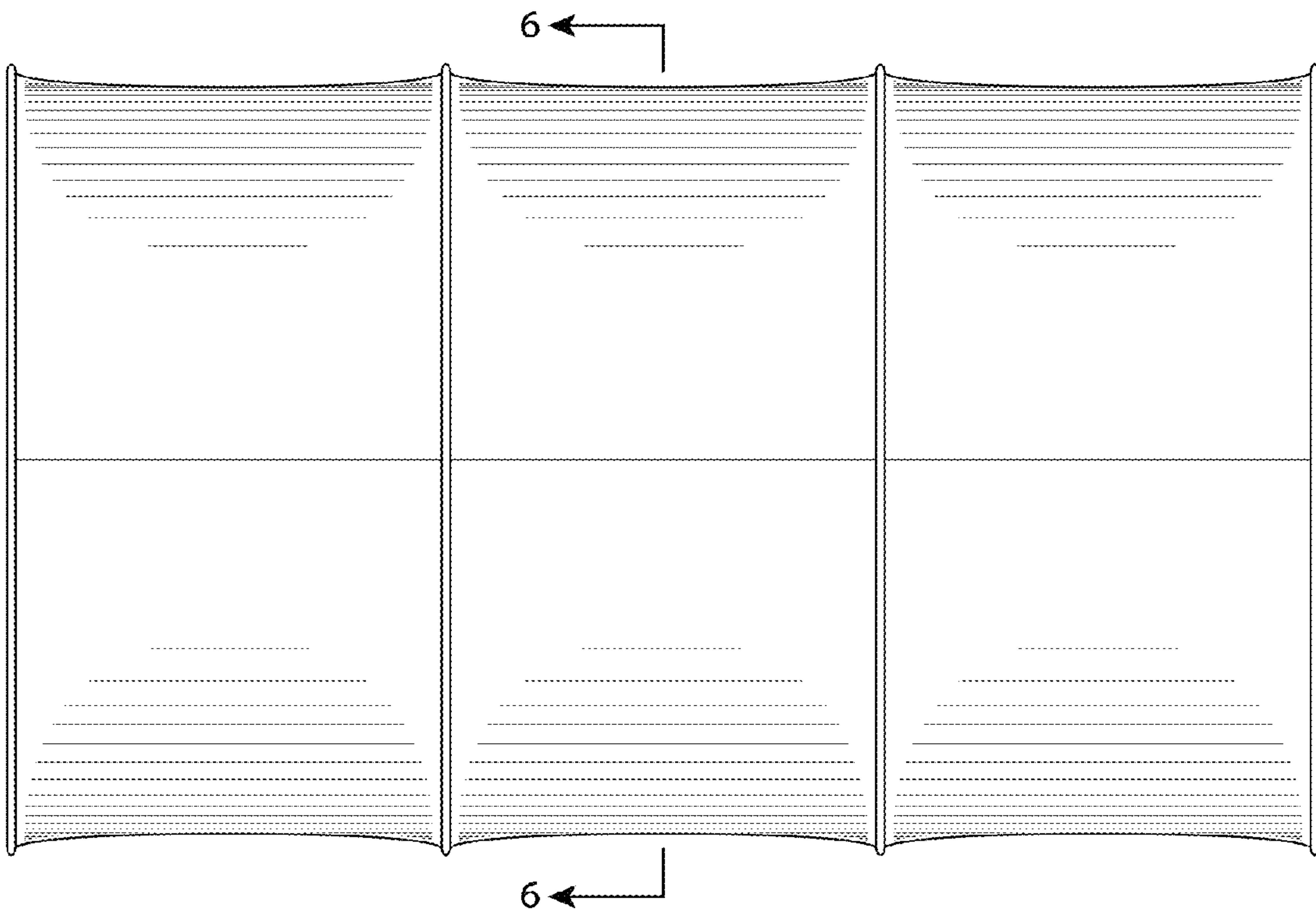


FIG. 4

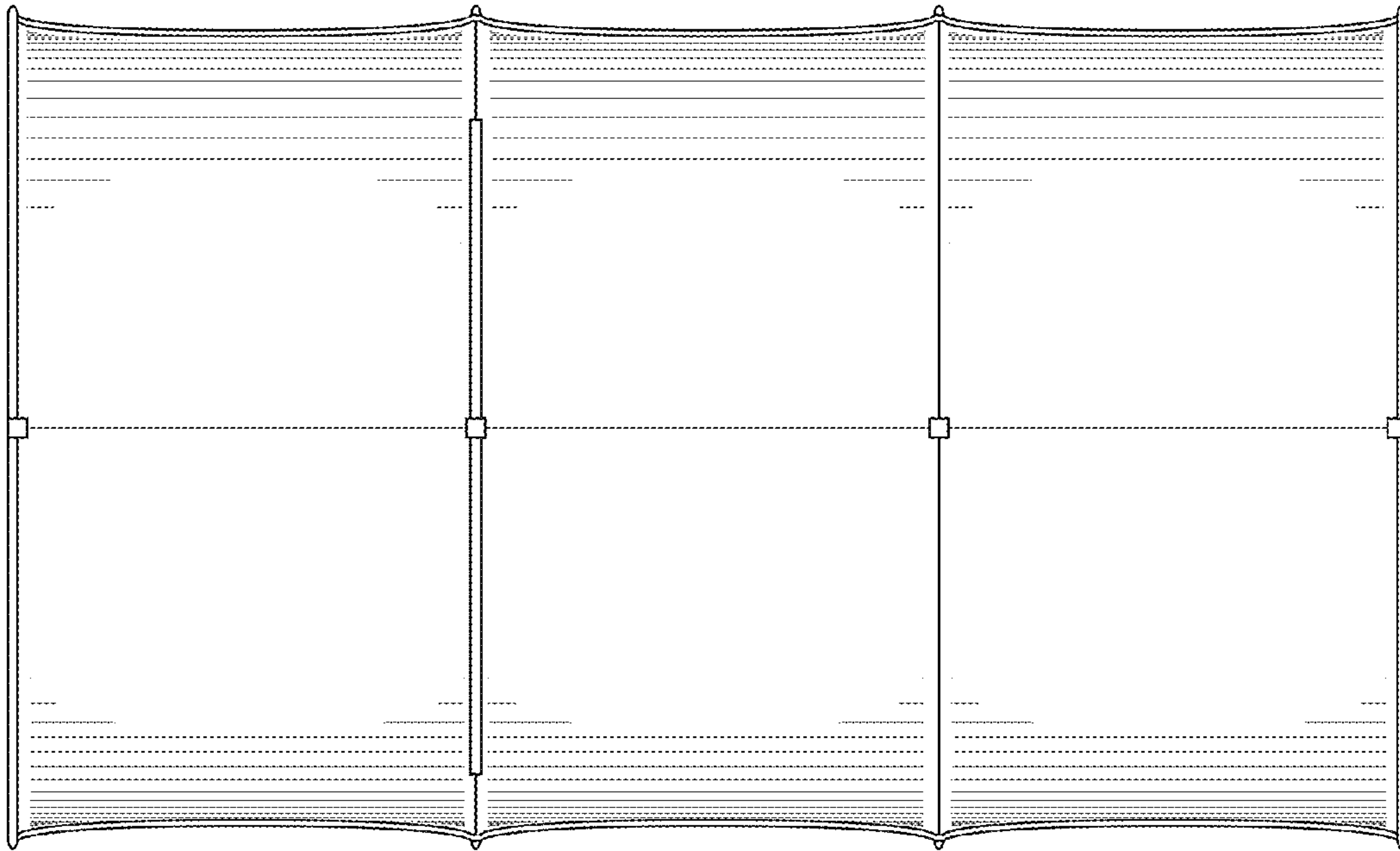


FIG. 5

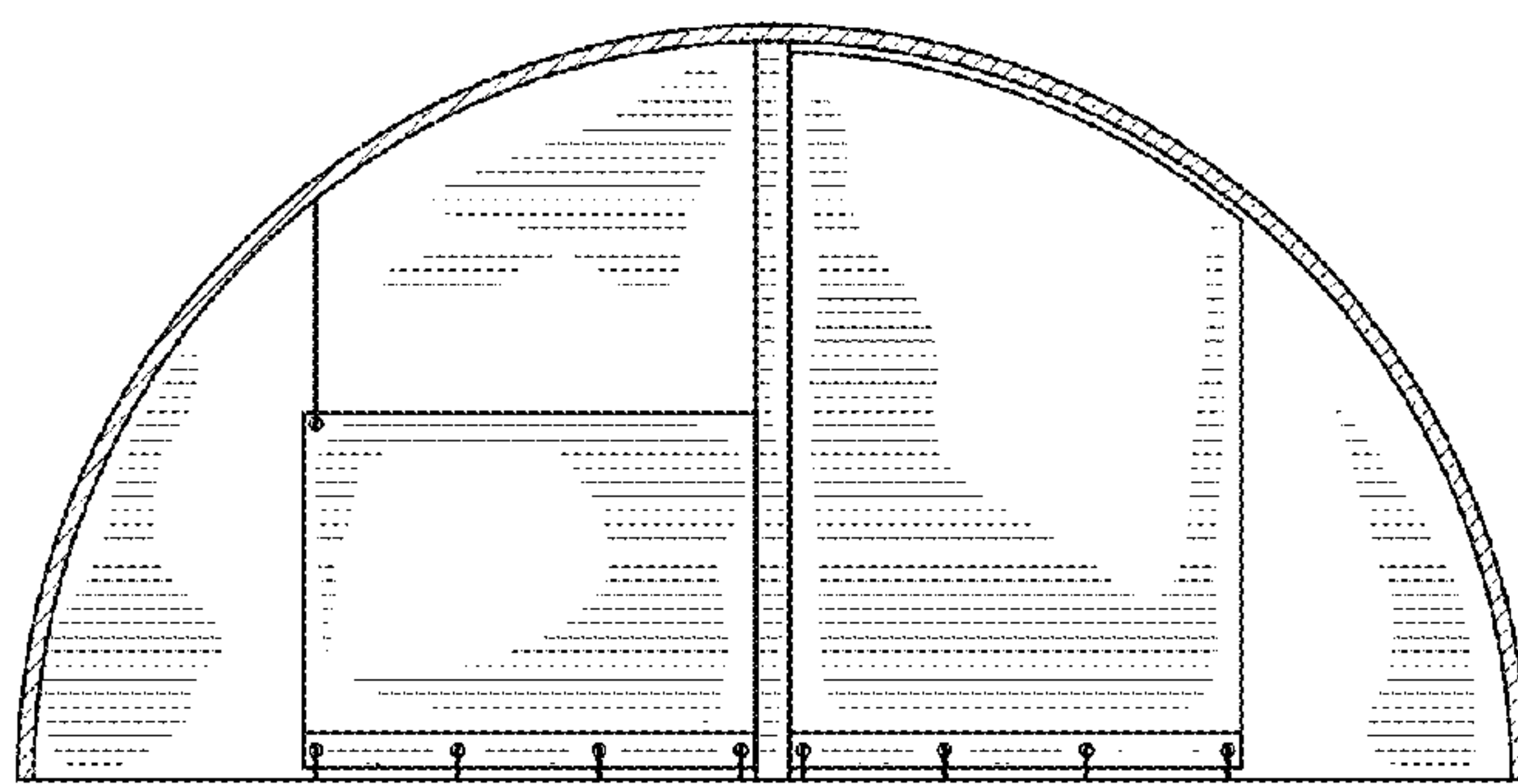


FIG. 6

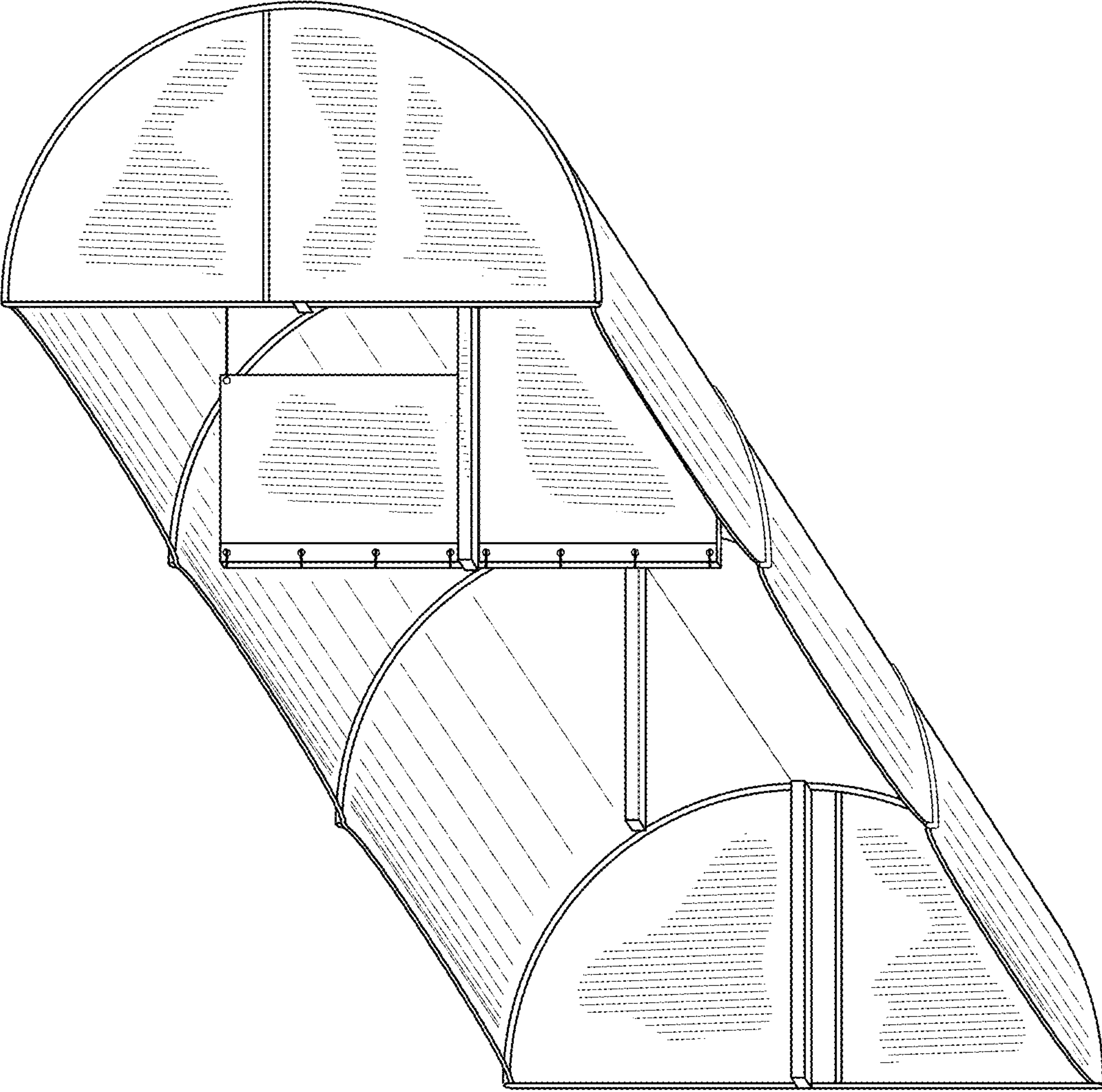


FIG. 7