



US00D681843S

(12) **United States Design Patent**
Németh

(10) **Patent No.:** **US D681,843 S**
(45) **Date of Patent:** **** May 7, 2013**

(54) **CONTAINER FOR ANALYZING LIQUID**

(75) Inventor: **Ferenc Németh**, Pilisszentivan (HU)

(73) Assignee: **77 Elektronika Muszeripari Kft.**,
Budapest (HU)

(**) Term: **14 Years**

(21) Appl. No.: **29/415,715**

(22) Filed: **Mar. 13, 2012**

Related U.S. Application Data

(63) Continuation of application No. 12/447,043, filed as
application No. PCT/HU2007/000099 on Oct. 25,
2007, now abandoned.

(30) **Foreign Application Priority Data**

Oct. 26, 2006 (HU) P 06 00896

(51) **LOC (9) Cl.** **24-01**

(52) **U.S. Cl.**
USPC **D24/224**

(58) **Field of Classification Search** D24/216-217,
D24/219, 223-226, 227, 229-231, 232, 107,
D24/121-123; D10/81; 422/547-554, 556,
422/558, 559, 500; 435/288.3, 305.1; D3/201,
D3/203.1

See application file for complete search history.

(56) **References Cited**

U.S. PATENT DOCUMENTS

D299,955 S * 2/1989 Kendrick, Sr. D24/229
D319,103 S * 8/1991 Chiu D24/223

(Continued)

Primary Examiner — Anhdao Doan

(74) *Attorney, Agent, or Firm* — Wood, Herron & Evans,
LLP

(57) **CLAIM**

The ornamental design for a container for analyzing liquid, as
shown and described.

DESCRIPTION

FIG. 1 is a perspective view of a container for analyzing
liquid, in an open configuration of the present invention,
showing the interior of both portions;

FIG. 2 is a perspective view of the container showing both
portions in an open configuration;

FIG. 3 is a front view of the container in an open configura-
tion;

FIG. 4 is a rear view of the container in an open configura-
tion, the left and right side views being mirror images of the shown
rear view;

FIG. 5 is a top view of the container in an open configura-
tion;

FIG. 6 is a bottom view of the container in an open configura-
tion;

FIG. 7 is a top view taken on lines 7-7 seen in FIG. 3;

FIG. 8 is a bottom view taken on lines 8-8 seen in FIG. 3;

FIG. 9 is a cross sectional view taken on lines 9-9 of FIG. 5;

FIG. 10 is a perspective view of the container in a closed
configuration;

FIG. 11 is a front view of the container in a closed configura-
tion;

FIG. 12 is a rear view of the container in a closed configura-
tion, the left and right side views being mirror images of the
shown rear view;

FIG. 13 is a top view of the container in a closed configura-
tion;

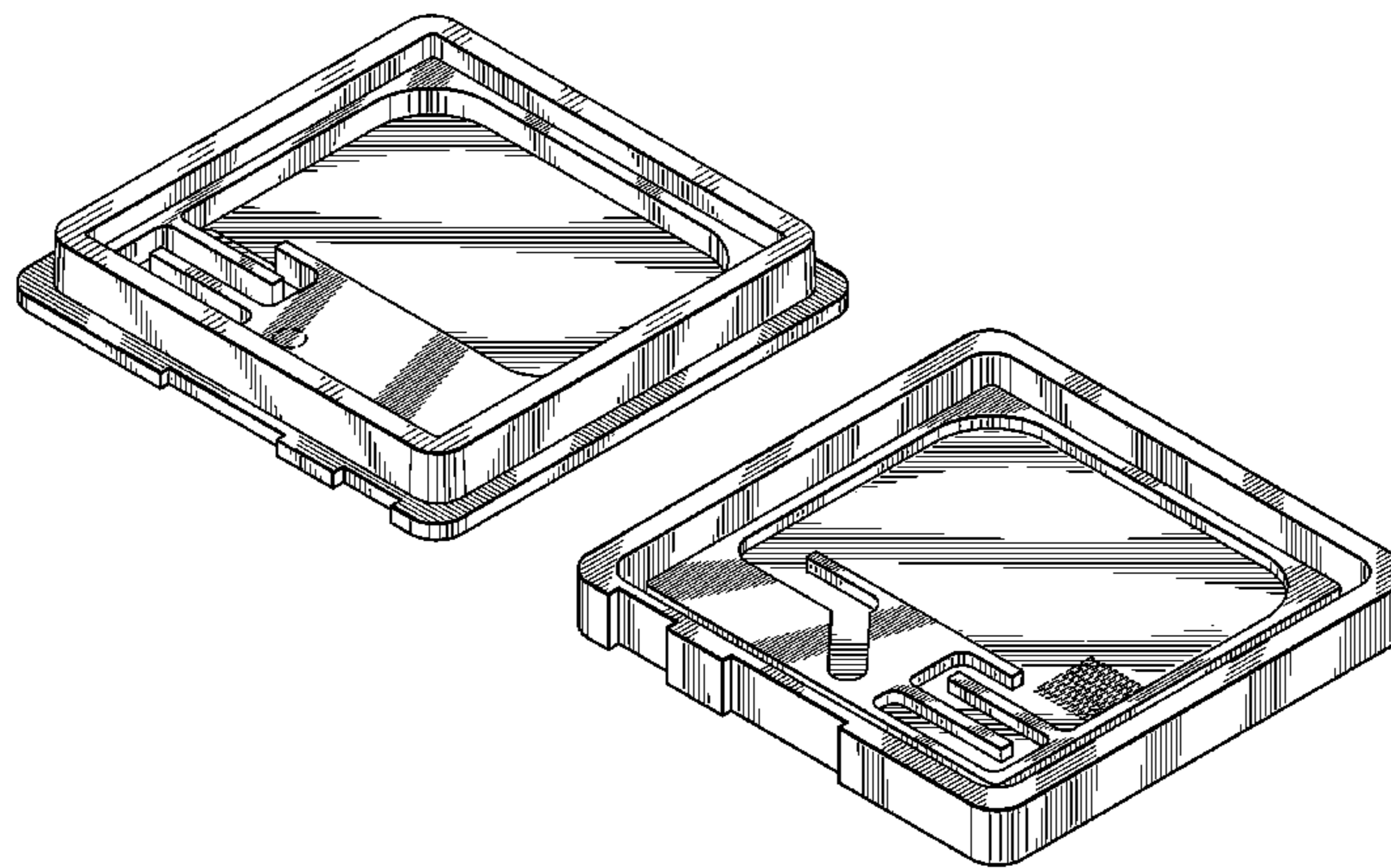
FIG. 14 is a bottom view of the container in a closed configura-
tion;

FIG. 15 is a cross sectional view taken on lines 15-15 in FIG.
13; and,

FIG. 16 is a cross sectional view taken on lines 16-16 in FIG.
13.

The broken lines in the drawing views are included for the
purpose of illustrating portions of the container for analyzing
liquid that form no part of the claimed design.

1 Claim, 8 Drawing Sheets



US D681,843 S

Page 2

U.S. PATENT DOCUMENTS

D352,116 S	*	11/1994	Kienholz	D24/227	D637,733 S	*	5/2011	Wei	D24/226
D378,941 S	*	4/1997	Lahm et al.	D24/224	2002/0127149 A1	*	9/2002	Dubrow et al.	422/68.1
D473,318 S	*	4/2003	Barbera-Guillem	D24/225	2008/0064090 A1	*	3/2008	Whittlinger	435/305.3

* cited by examiner

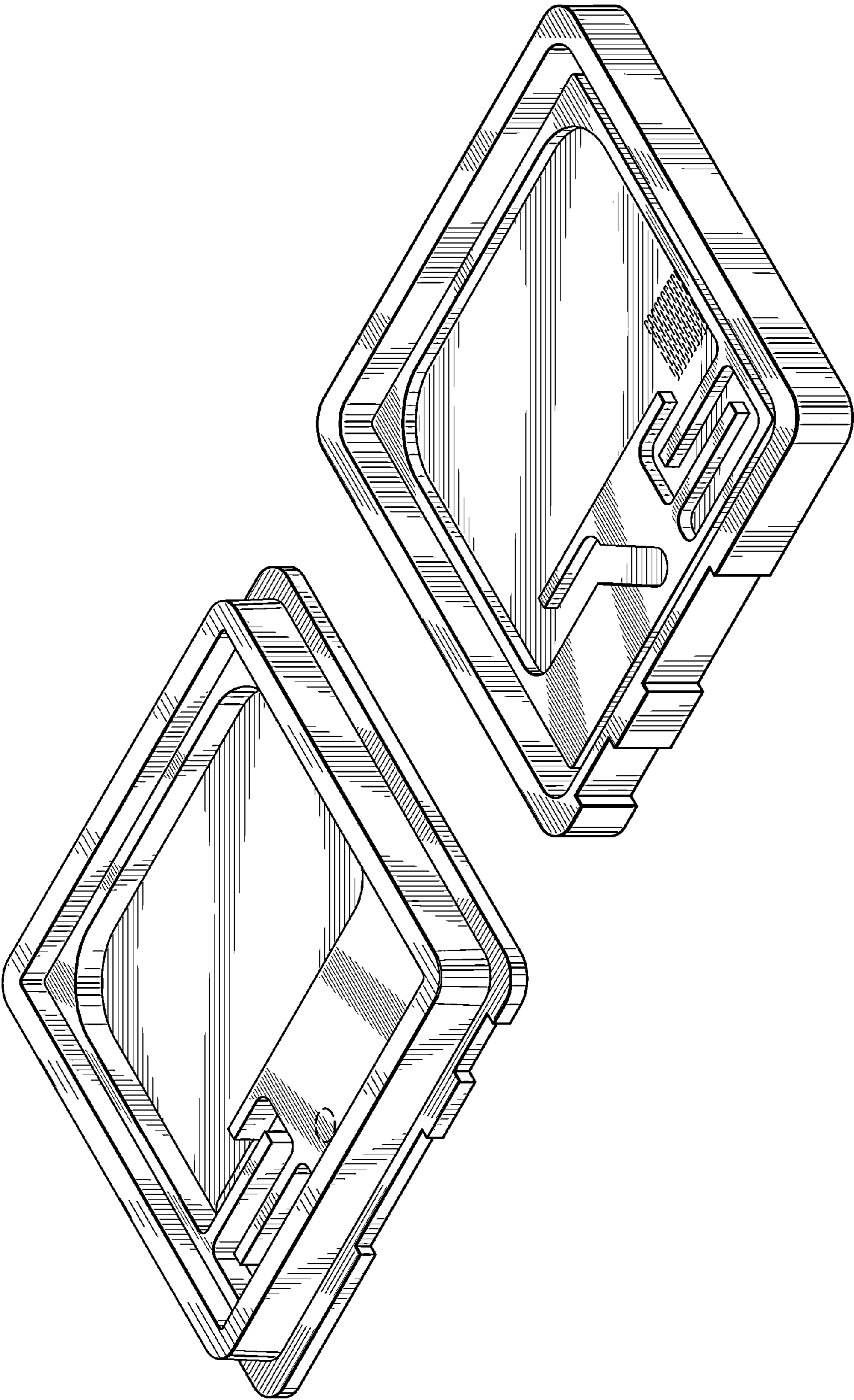


FIG. 1

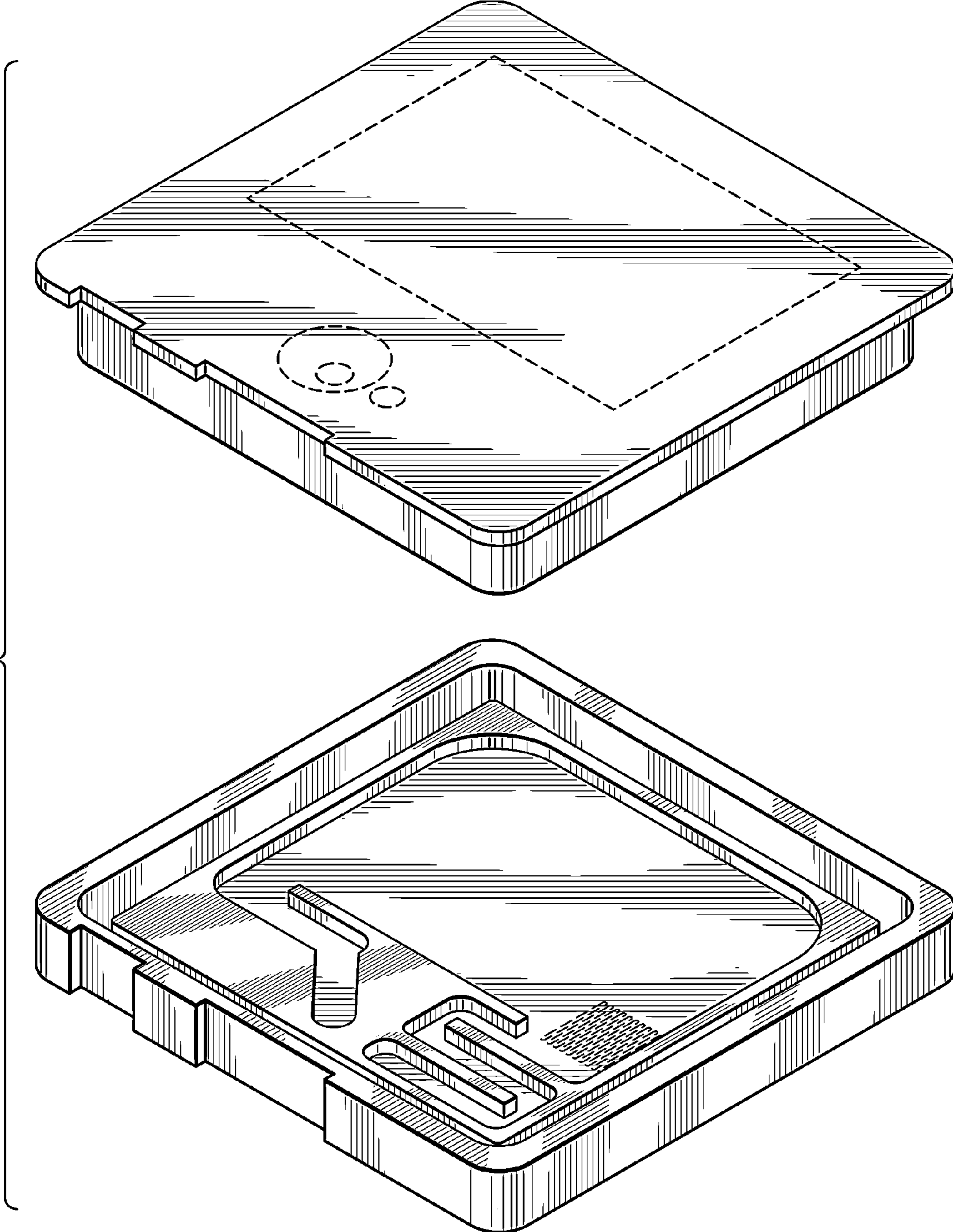


FIG. 2

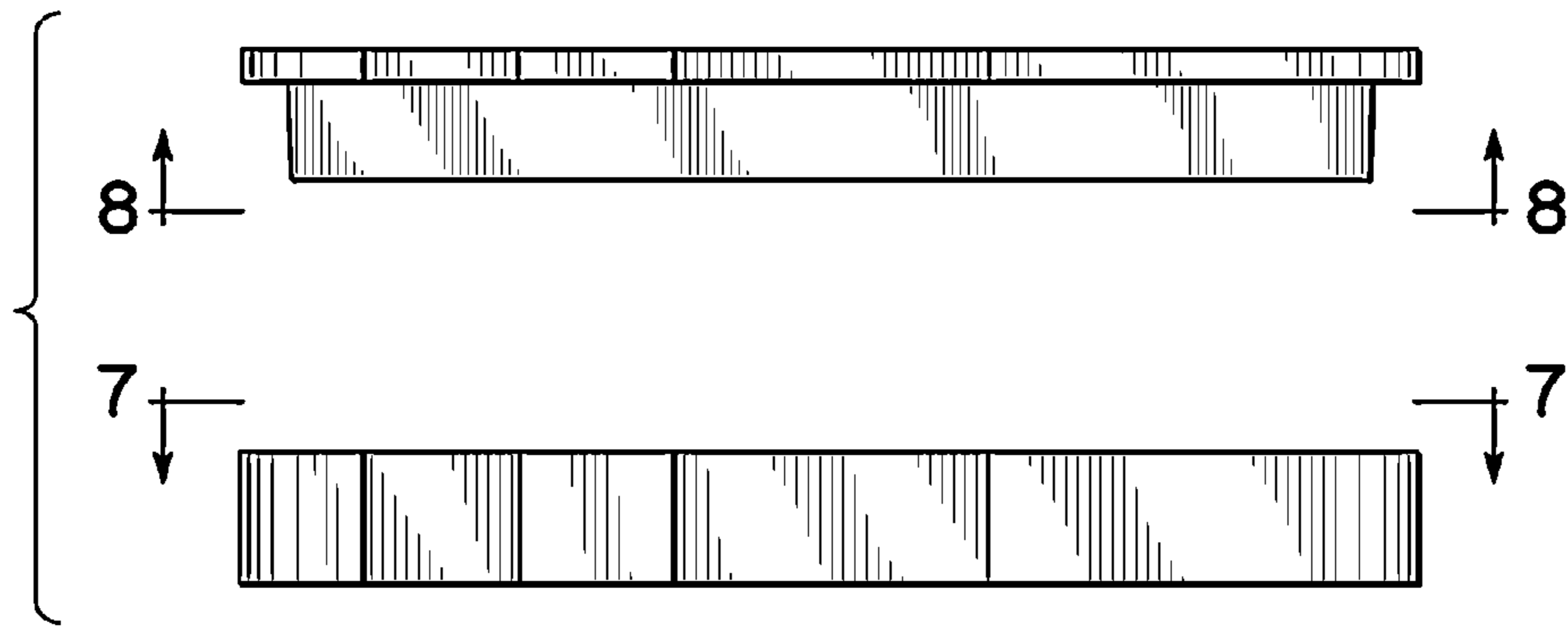


FIG. 3

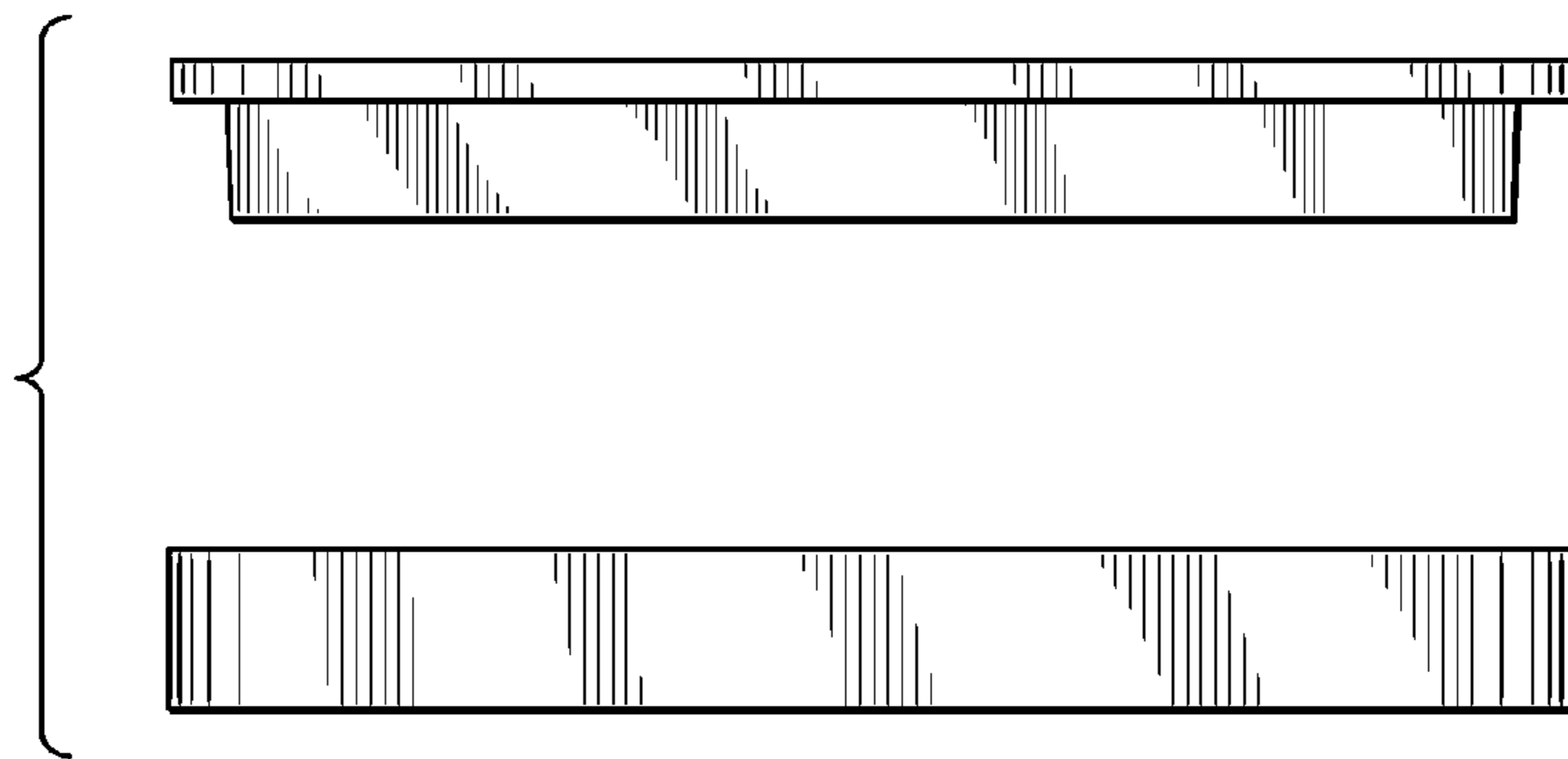


FIG. 4

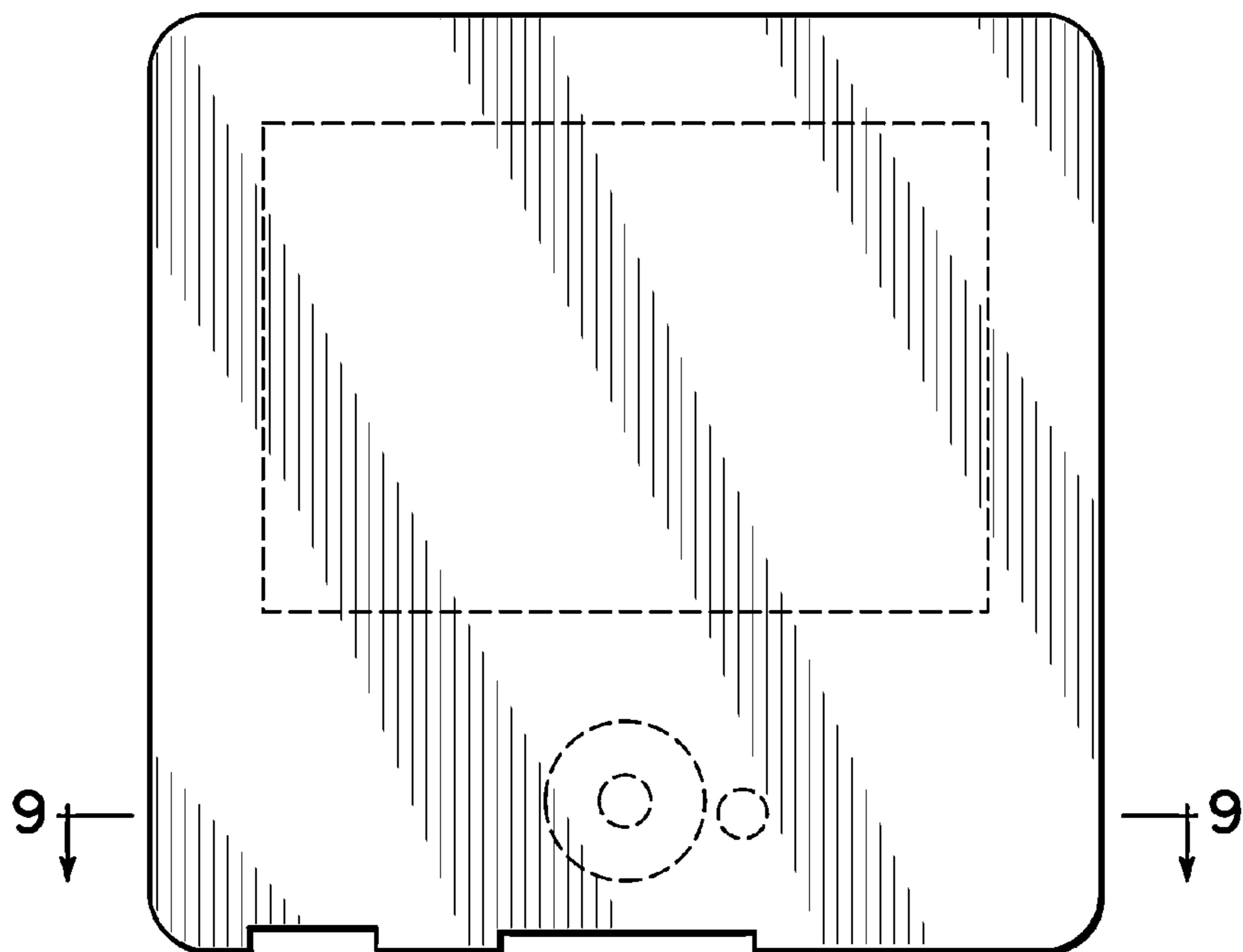


FIG. 5

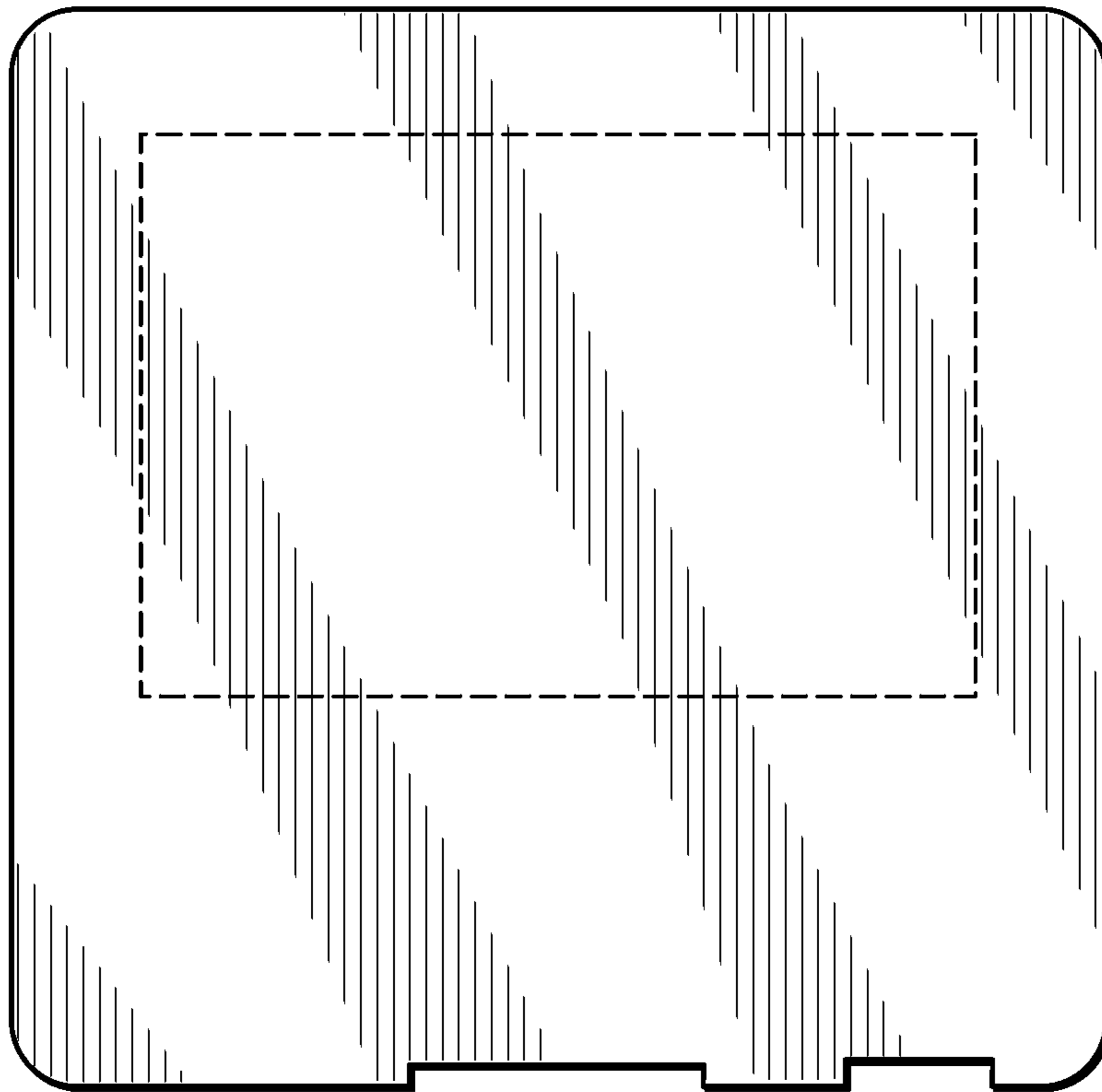


FIG. 6

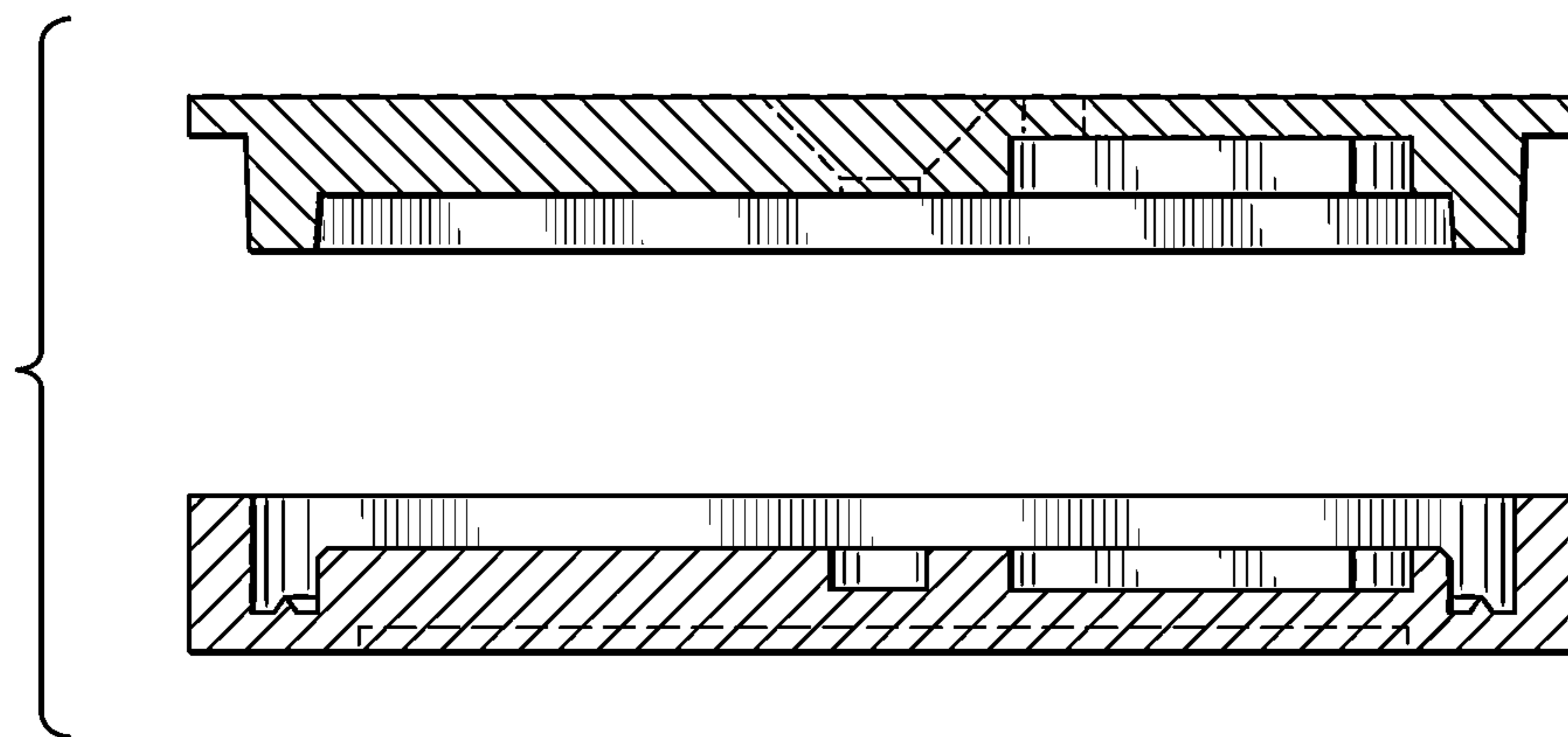


FIG. 9

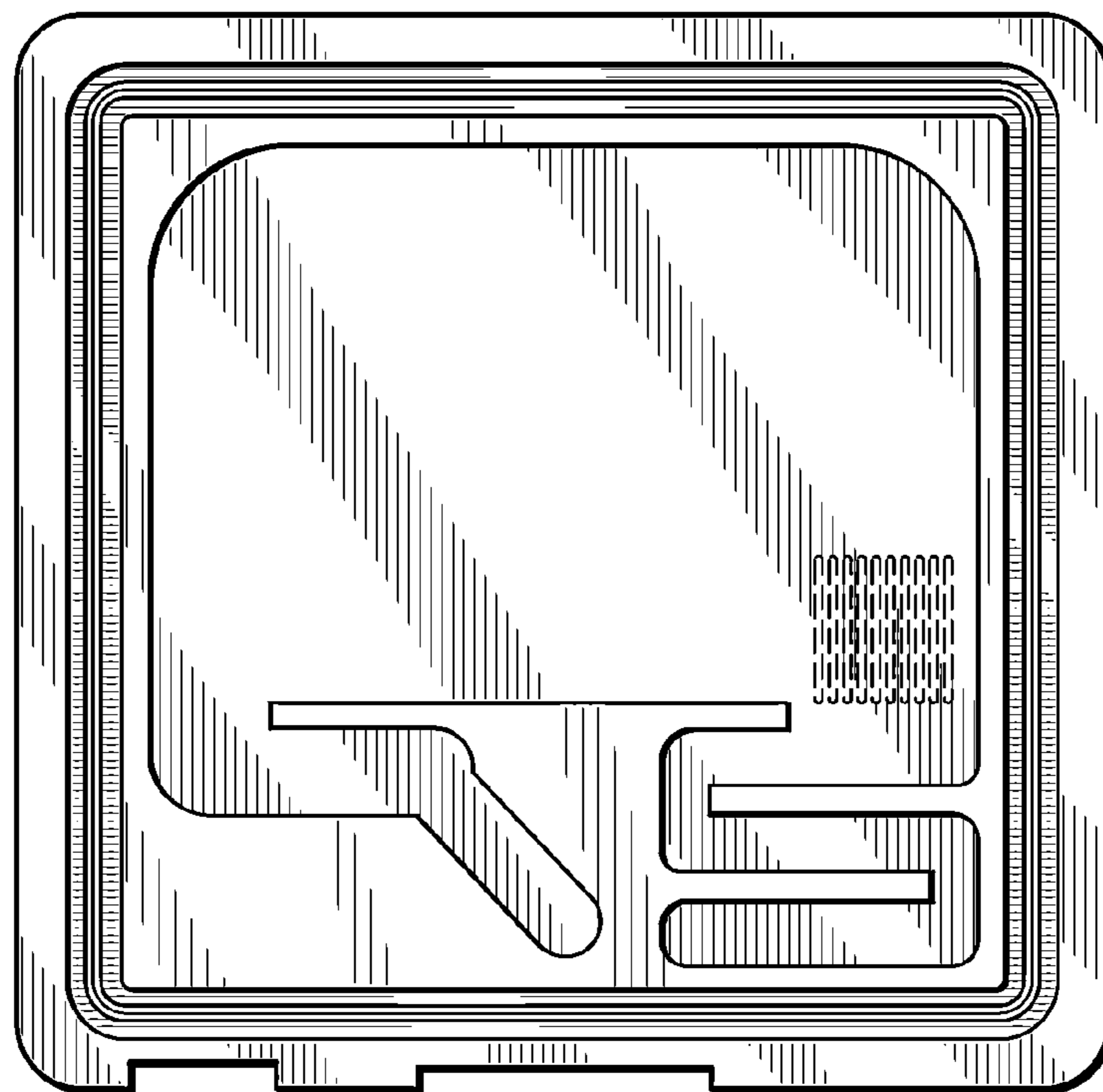


FIG. 7

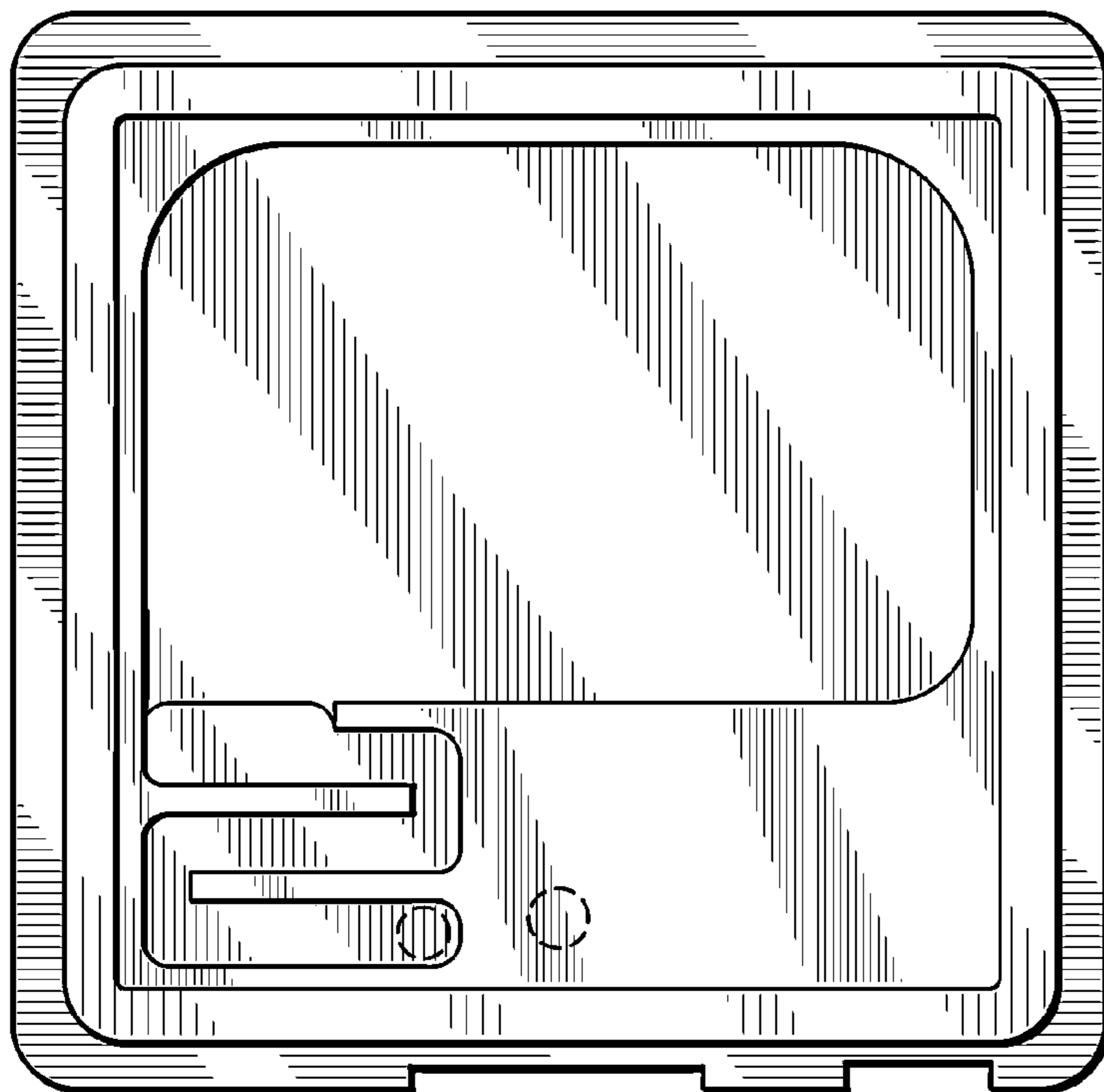


FIG. 8

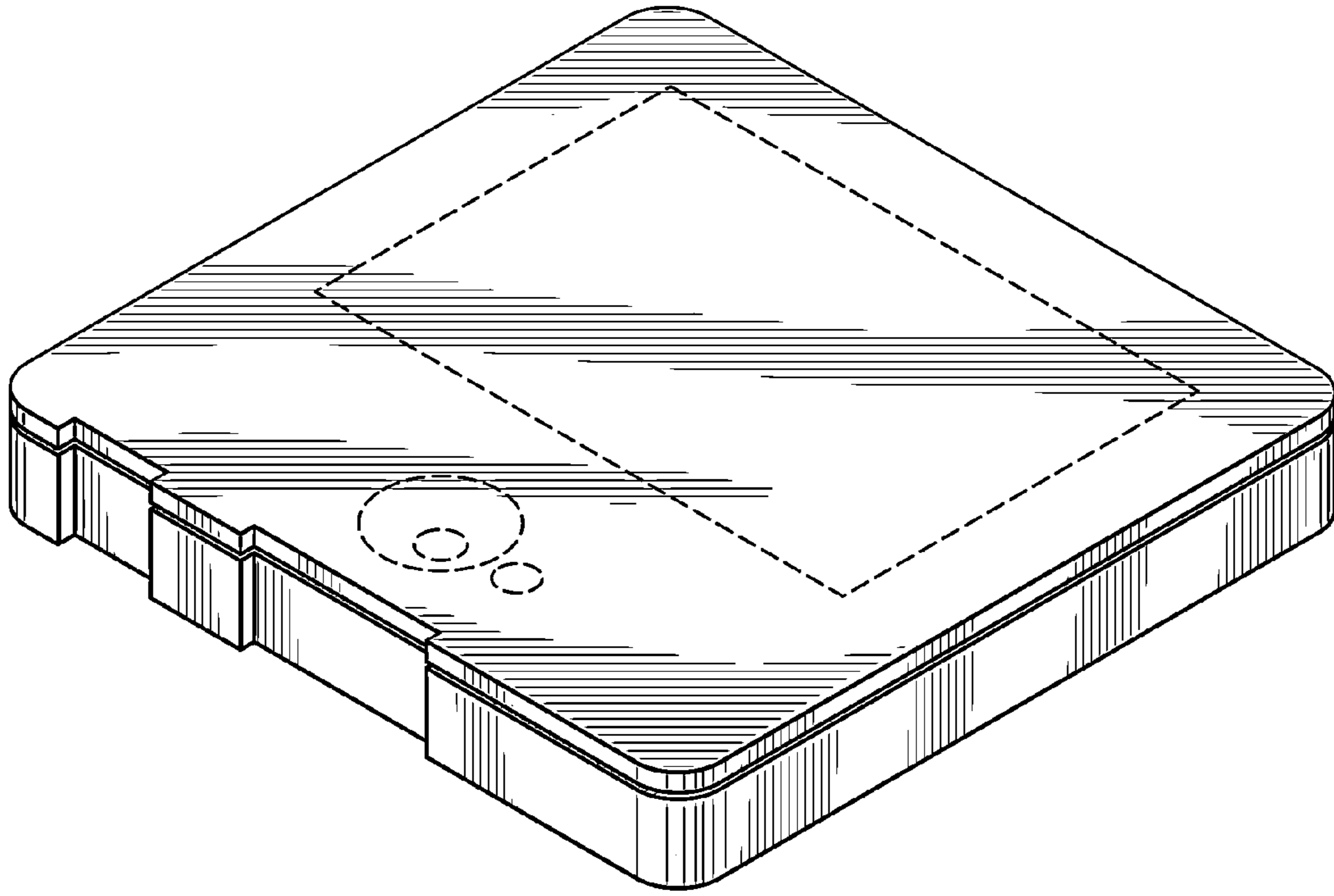


FIG. 10

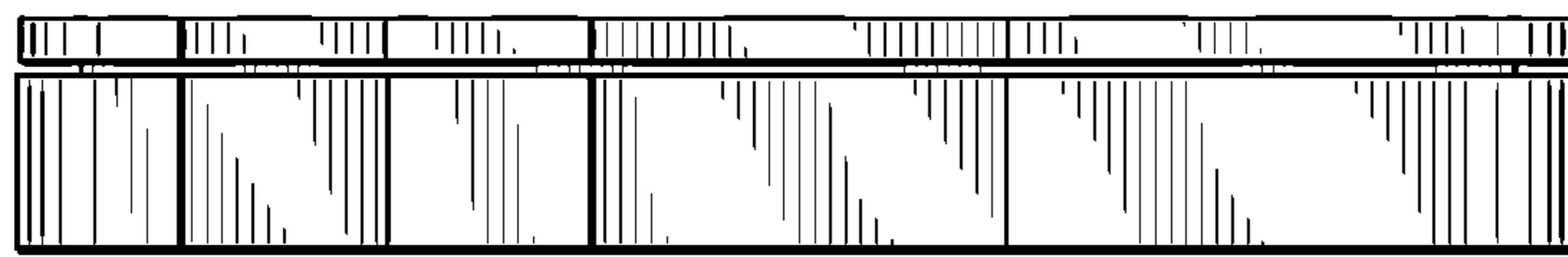


FIG. 11

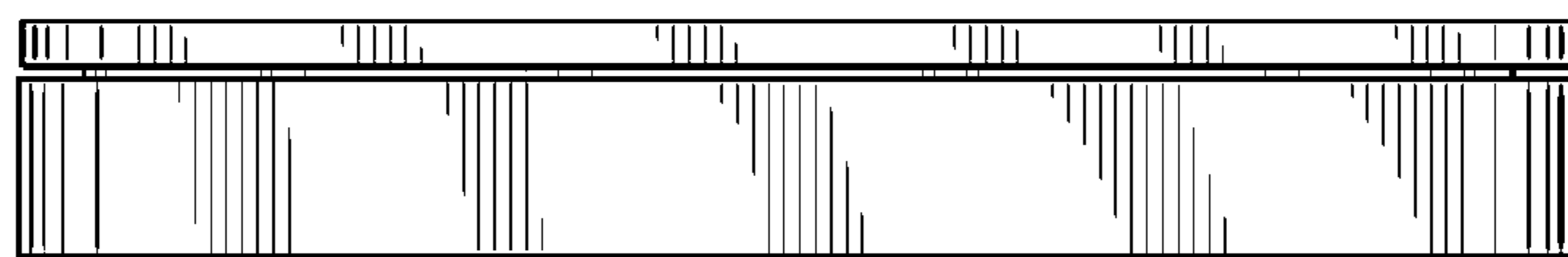


FIG. 12

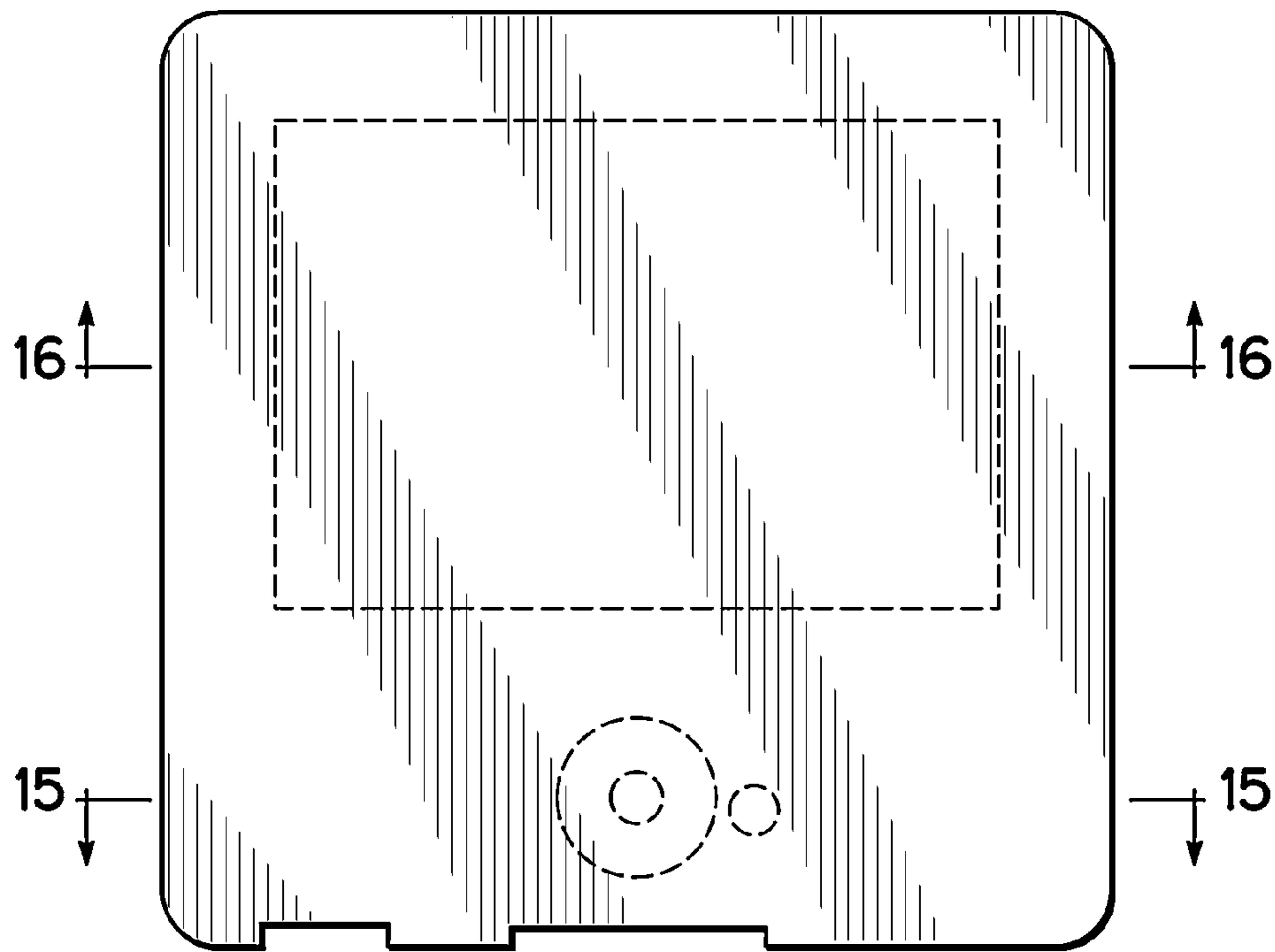


FIG. 13

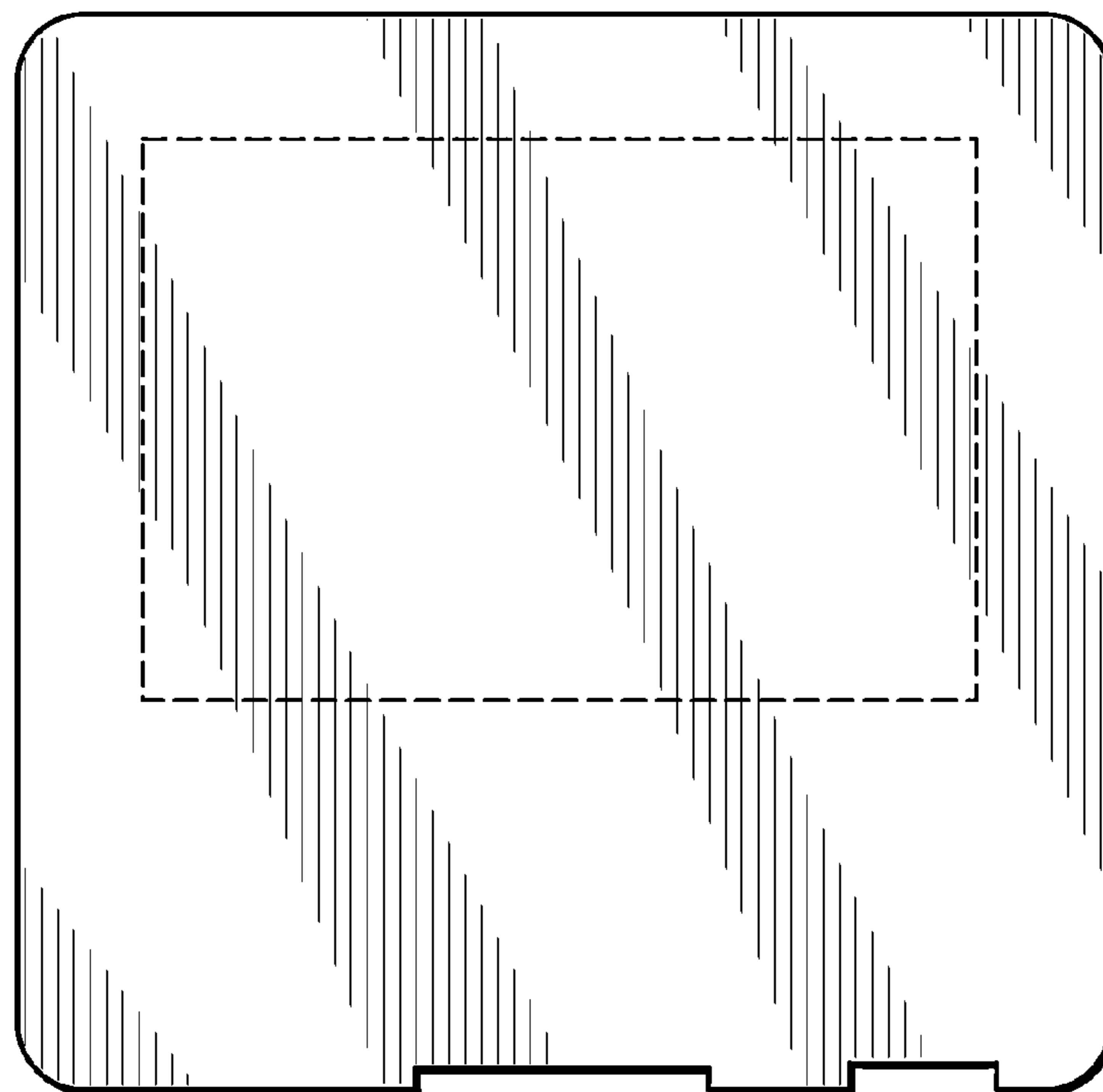


FIG. 14

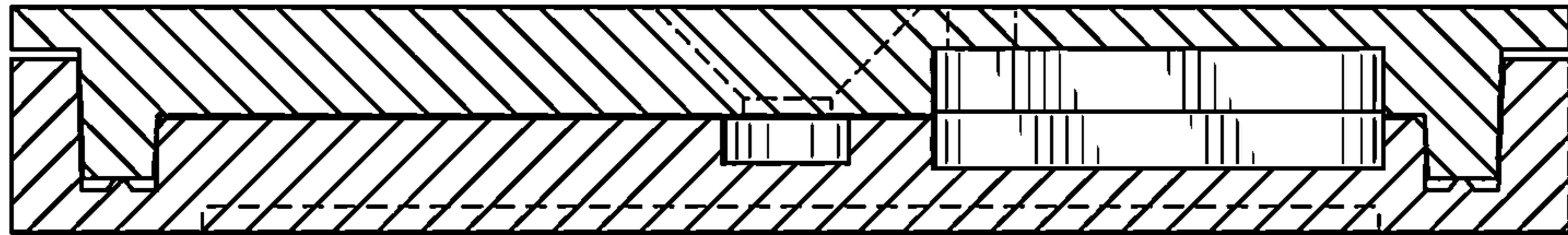


FIG. 15

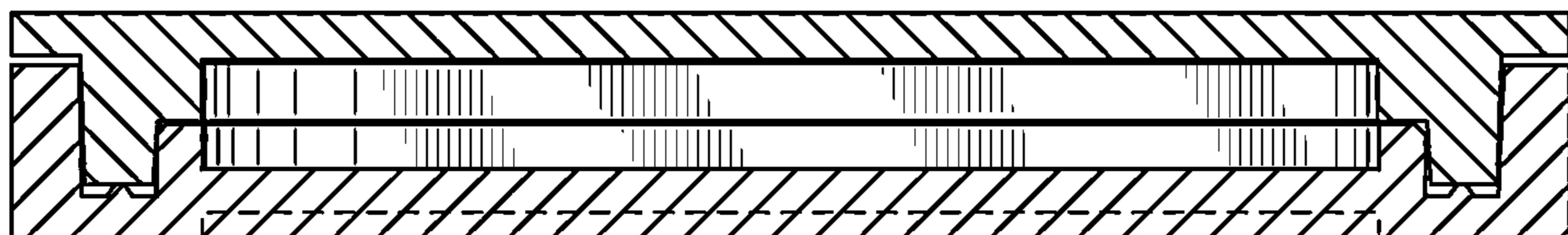


FIG. 16