



US00D681842S

(12) **United States Design Patent**
Chang

(10) **Patent No.:** **US D681,842 S**

(45) **Date of Patent:** **** May 7, 2013**

(54) **MASSAGER**

(71) Applicant: **Body Action Enterprise Co., Ltd.**,
Taichung Hsien (TW)

(72) Inventor: **Ming-Chi Chang**, Taichung (TW)

(73) Assignee: **Body Action Enterprise Co., Ltd.**,
Taichung Hsien (TW)

(**) Term: **14 Years**

(21) Appl. No.: **29/437,427**

(22) Filed: **Nov. 16, 2012**

(30) **Foreign Application Priority Data**

May 18, 2012 (TW) 101209488

(51) **LOC (9) Cl.** **28-03**

(52) **U.S. Cl.**
USPC **D24/215**

(58) **Field of Classification Search** D24/200,
D24/211, 212, 213, 214, 215; 601/114, 120,
601/121, 124, 125, 130, 131, 134, 135, 136,
601/137

See application file for complete search history.

(56) **References Cited**

U.S. PATENT DOCUMENTS

D210,922 S * 4/1968 Tavel D24/214
D234,724 S * 4/1975 Tavel D24/214
D338,070 S * 8/1993 Lam D24/214
D345,801 S * 4/1994 Bosch D24/200
D426,311 S * 6/2000 Horowitz et al. D24/215

D454,959 S * 3/2002 Harris et al. D24/215
D485,910 S * 1/2004 Chan D24/215
D509,301 S * 9/2005 Talbot et al. D24/215
D510,628 S * 10/2005 Talbot et al. D24/215
D539,433 S * 3/2007 Lui D24/215
7,238,162 B2 * 7/2007 Dehli 601/16
D559,992 S * 1/2008 Potter D24/214
D615,529 S * 5/2010 Kearns D14/207
D620,601 S * 7/2010 TerMeer D24/215
D630,761 S * 1/2011 Marshall D24/215
D631,973 S * 2/2011 Imboden et al. D24/215
D636,888 S * 4/2011 Nikitzuk et al. D24/215
D637,308 S * 5/2011 Imboden et al. D24/215
D637,724 S * 5/2011 Lawrence D24/180
D648,862 S * 11/2011 Yen D24/215
D649,656 S * 11/2011 Petersen D24/215
D673,687 S * 1/2013 Zeng et al. D24/215
D674,109 S * 1/2013 Sedic D24/215

* cited by examiner

Primary Examiner — Sandra Snapp

(74) *Attorney, Agent, or Firm* — CKC & Partners Co., Ltd.

(57) **CLAIM**

The ornamental design for a massager, as shown.

DESCRIPTION

FIG. 1 is a perspective view of the massager showing my new design;

FIG. 2 is a front view thereof;

FIG. 3 is a rear view thereof;

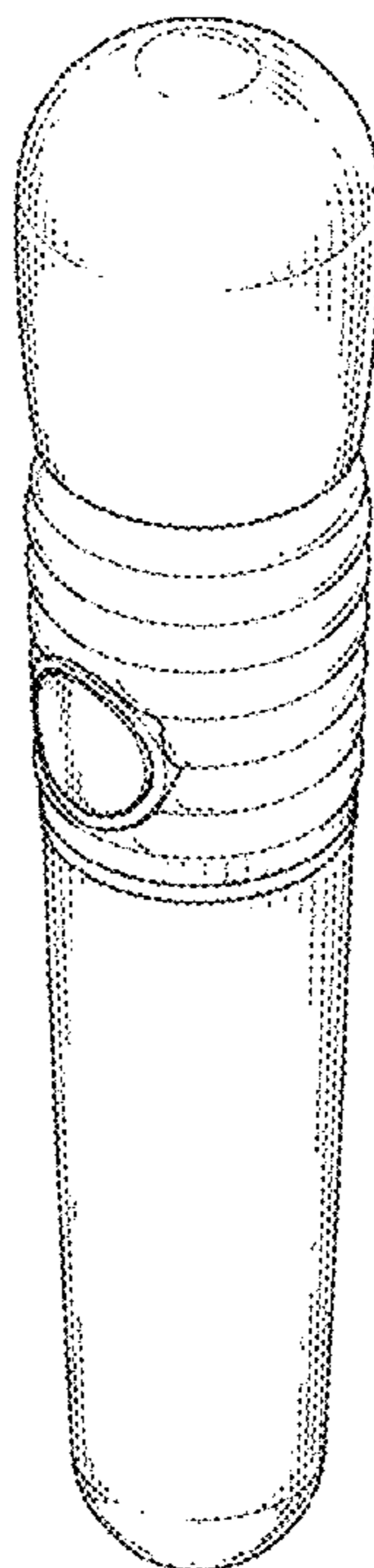
FIG. 4 is a left side view thereof;

FIG. 5 is a right side view thereof;

FIG. 6 is a top view thereof; and,

FIG. 7 is a bottom view thereof.

1 Claim, 6 Drawing Sheets



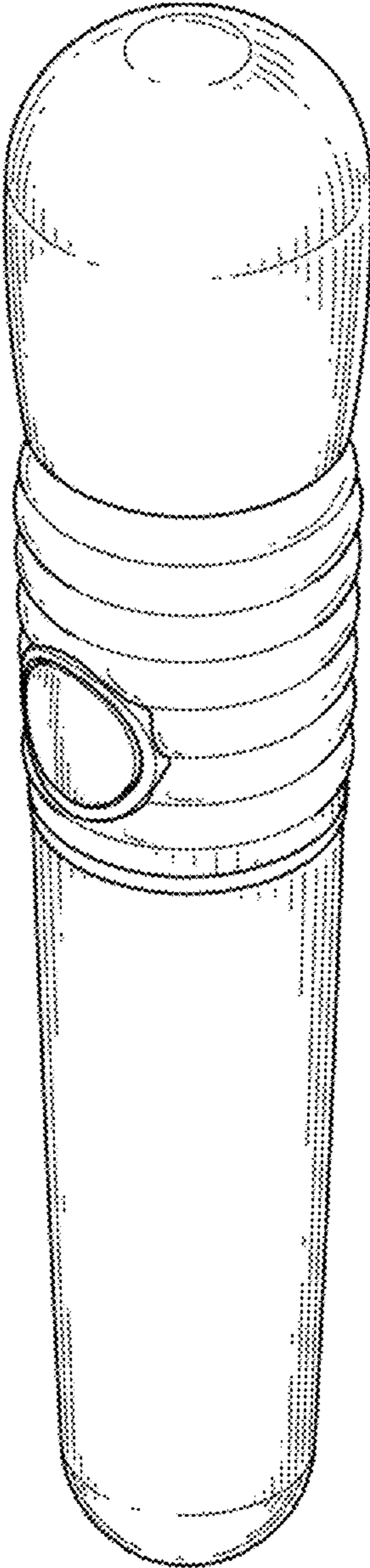


Fig. 1

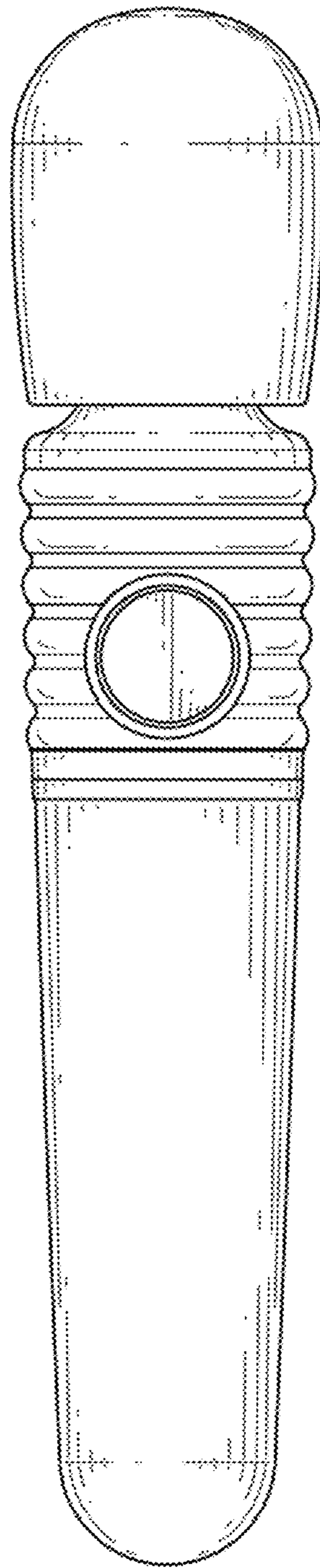


Fig. 2

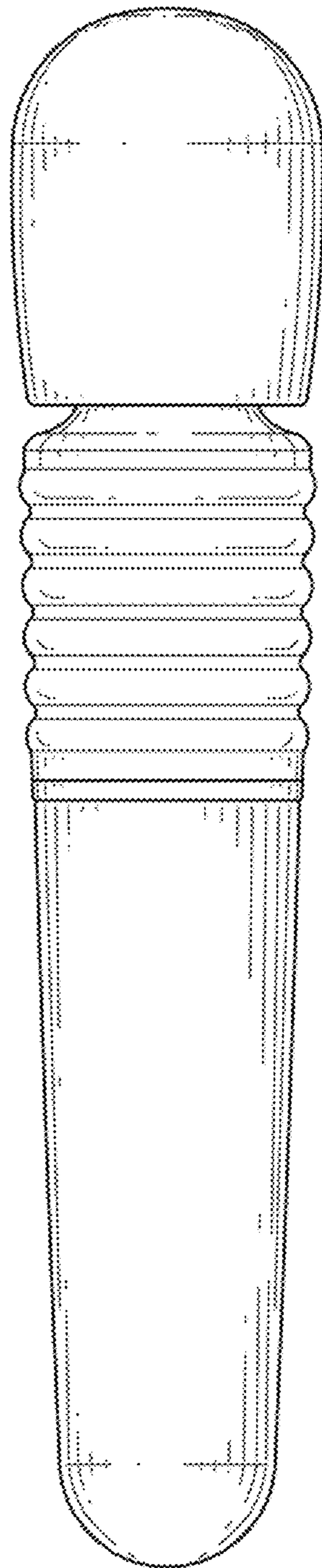


Fig. 3

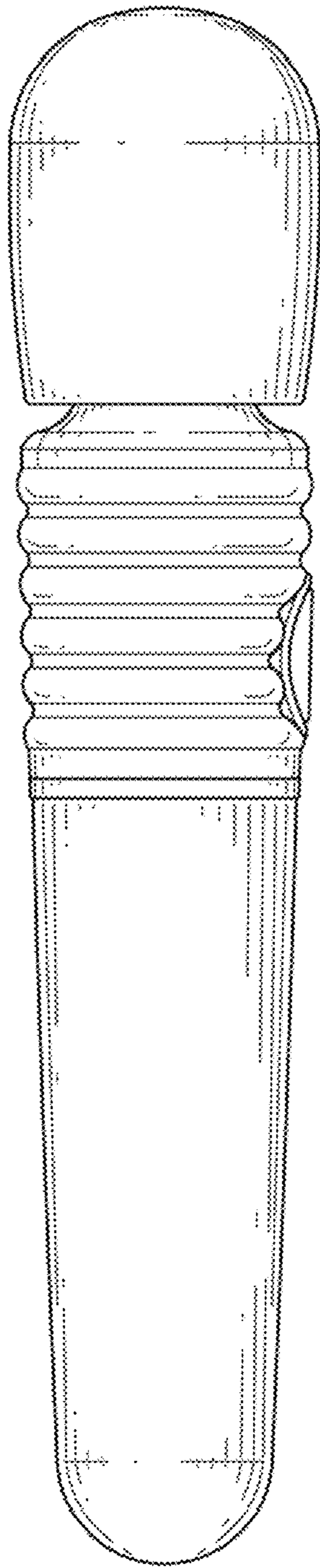


Fig. 4

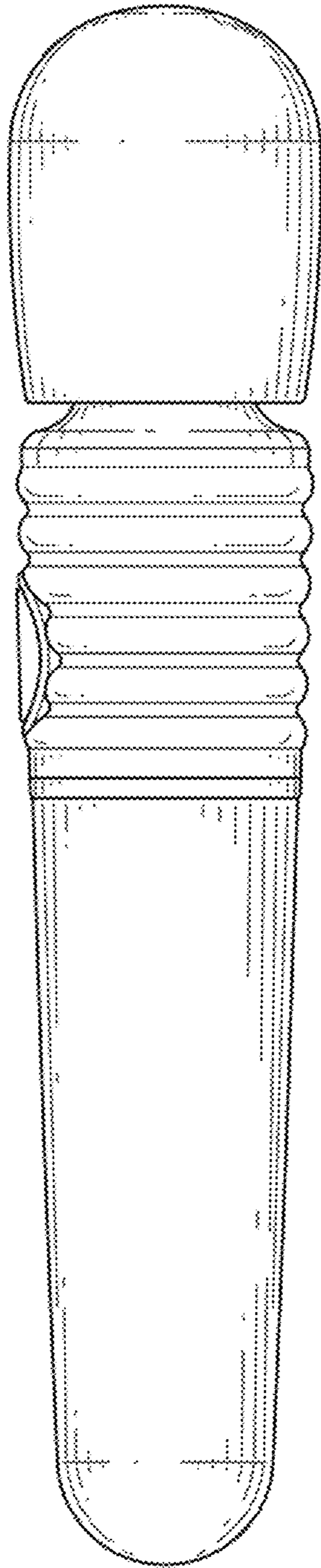


Fig. 5

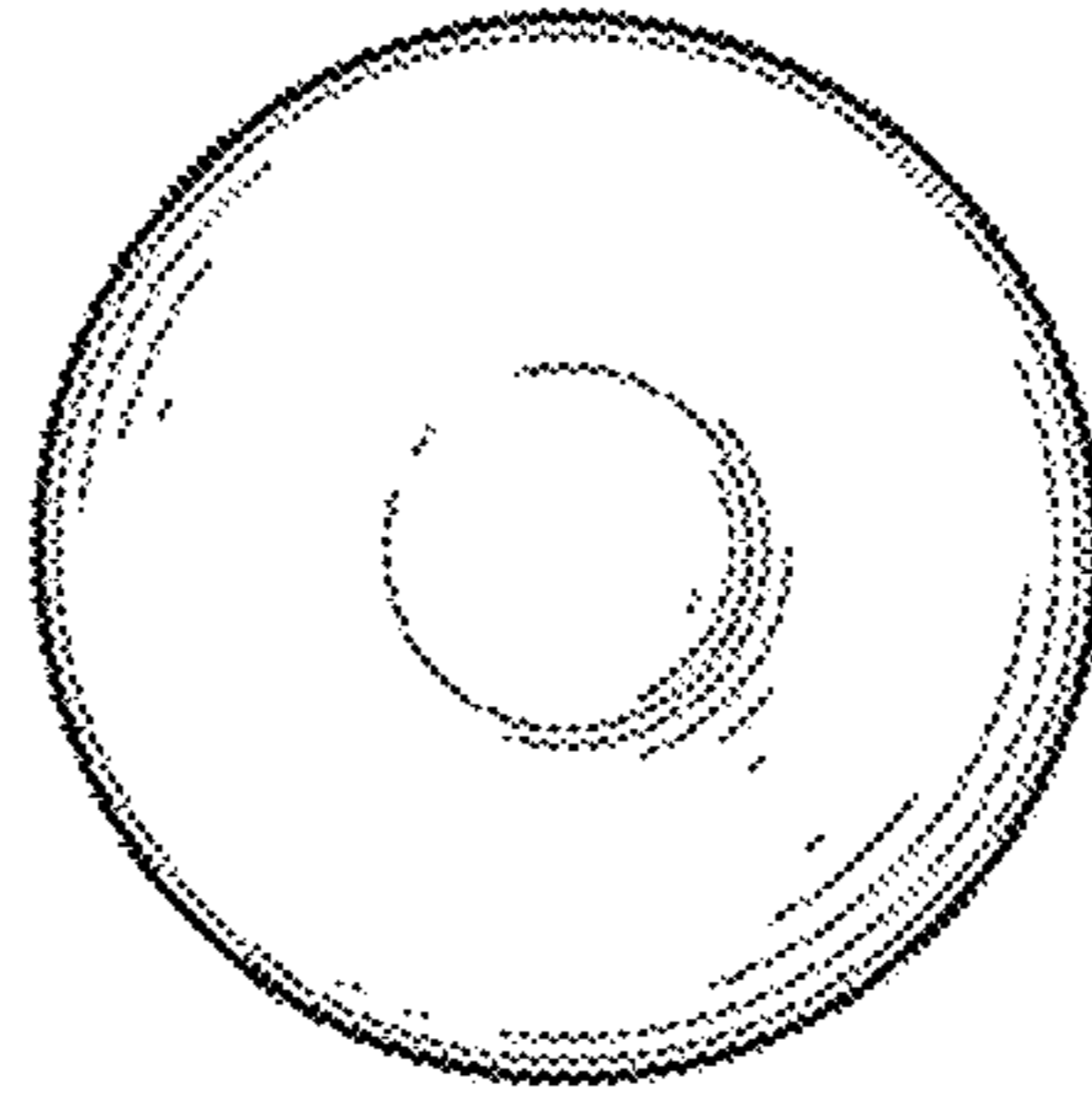


Fig. 6

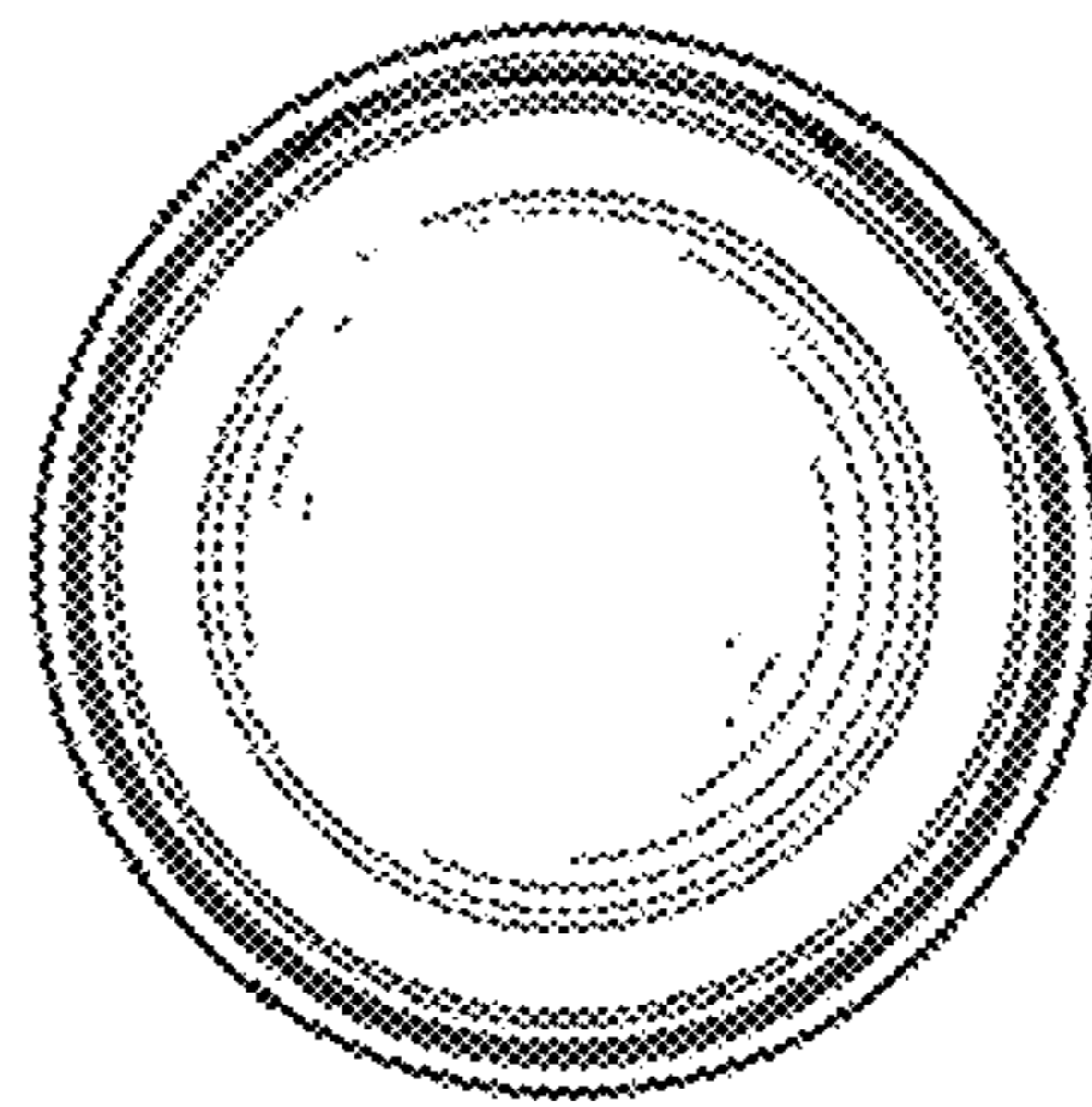


Fig. 7