



US00D681840S

(12) **United States Design Patent**  
**Chen**

(10) **Patent No.:** **US D681,840 S**

(45) **Date of Patent:** **\*\* May 7, 2013**

(54) **HEATING PAD**

(71) Applicant: **Chien-Chou Chen**, Tainan (TW)

(72) Inventor: **Chien-Chou Chen**, Tainan (TW)

(\*\*) Term: **14 Years**

(21) Appl. No.: **29/436,810**

(22) Filed: **Nov. 9, 2012**

(51) **LOC (9) Cl.** ..... **24-04**

(52) **U.S. Cl.**  
USPC ..... **D24/206**

(58) **Field of Classification Search** ..... D24/206-208,  
D24/189-192, 118; 602/1-7, 17-27, 61-66,  
602/74, 30; 128/112.1, 117.1, 95.1, 96.1,  
128/97.1, 100.1, 101.1, 876; 606/204, 27;  
607/96, 108, 109, 111, 112; D29/121.2,  
D29/122, 101.2, 101.5, 120.1, 121.1, 108;  
D3/327; D9/707; 601/15, DIG. 1; 126/204  
See application file for complete search history.

(56) **References Cited**

**U.S. PATENT DOCUMENTS**

D242,955	S	*	1/1977	Arluck	.....	D24/190
5,462,517	A	*	10/1995	Mann	.....	602/26
D383,848	S	*	9/1997	Mason et al.	.....	D24/206
D393,073	S	*	3/1998	Downing et al.	.....	D24/190
6,076,527	A	*	6/2000	Rottinghaus et al.	.....	128/876

D510,140	S	*	9/2005	Brown	.....	D24/190
D571,923	S	*	6/2008	Roberts	.....	D24/192
D583,958	S	*	12/2008	Usui et al.	.....	D24/206
D609,802	S	*	2/2010	Harren	.....	D24/189
D619,267	S	*	7/2010	Beckwith et al.	.....	D24/190
D626,241	S	*	10/2010	Sagnip et al.	.....	D24/190
D626,242	S	*	10/2010	Sagnip et al.	.....	D24/190
D638,947	S	*	5/2011	Rubi et al.	.....	D24/189

\* cited by examiner

*Primary Examiner* — David Muller

(74) *Attorney, Agent, or Firm* — Rosenberg, Klein & Lee

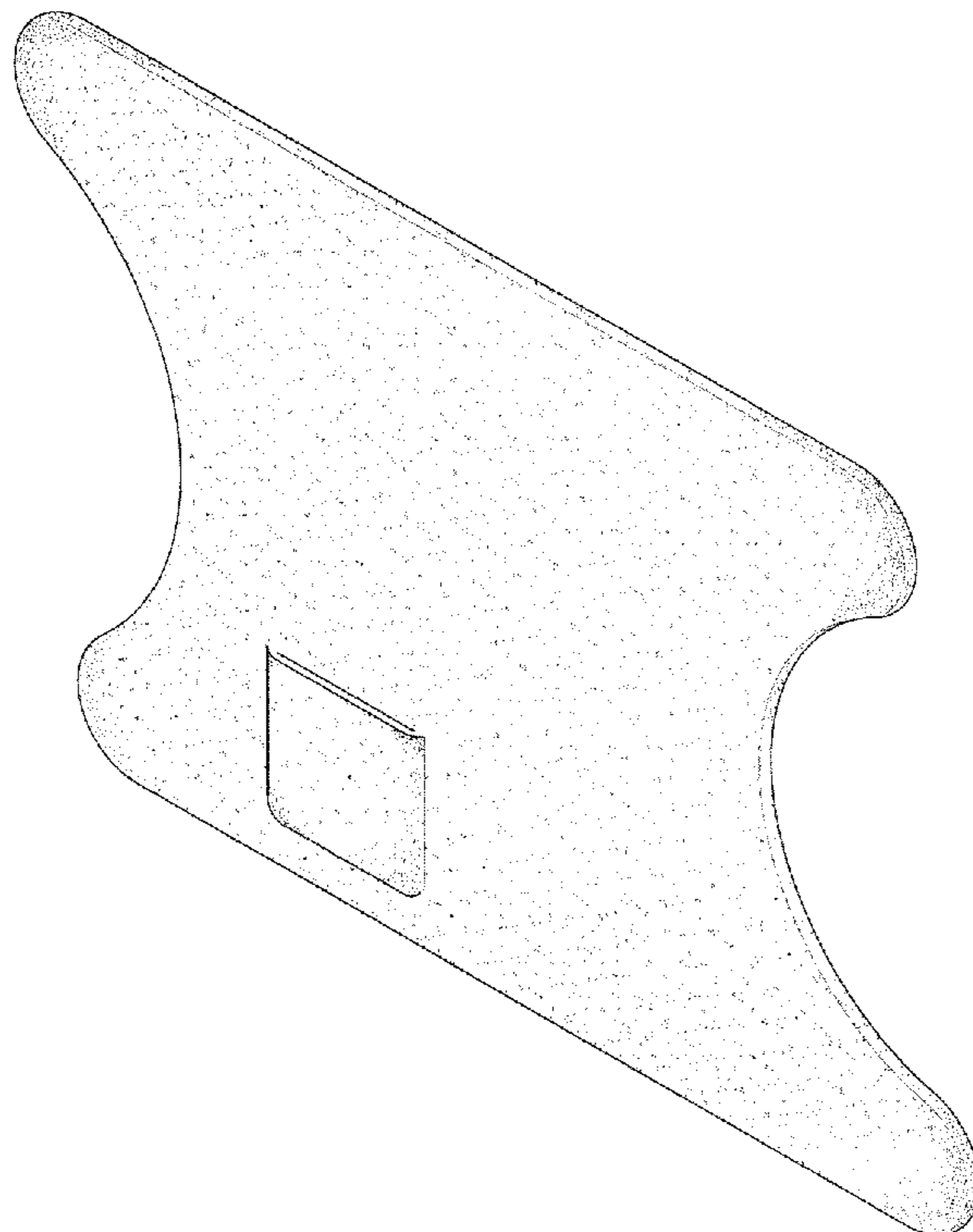
(57) **CLAIM**

The ornamental design for a heating pad, as shown and described.

**DESCRIPTION**

FIG. 1 is a perspective view of a heating pad showing my new design;  
FIG. 2 is a front elevational view thereof;  
FIG. 3 is a rear elevational view thereof;  
FIG. 4 is a left side elevational view thereof;  
FIG. 5 is a right side elevational view thereof;  
FIG. 6 is a top plan view thereof; and,  
FIG. 7 is a bottom plan view thereof.

**1 Claim, 7 Drawing Sheets**



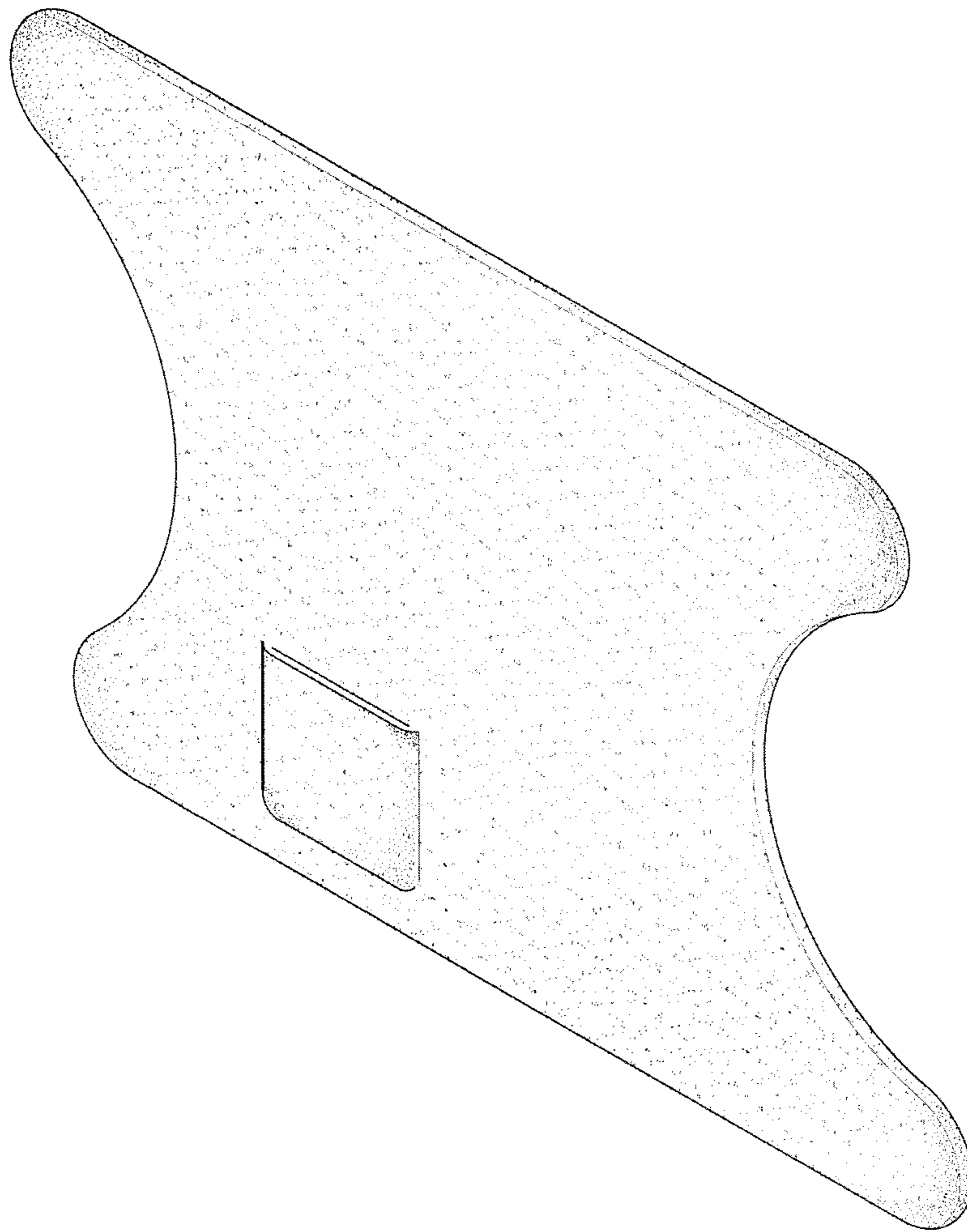


FIG. 1

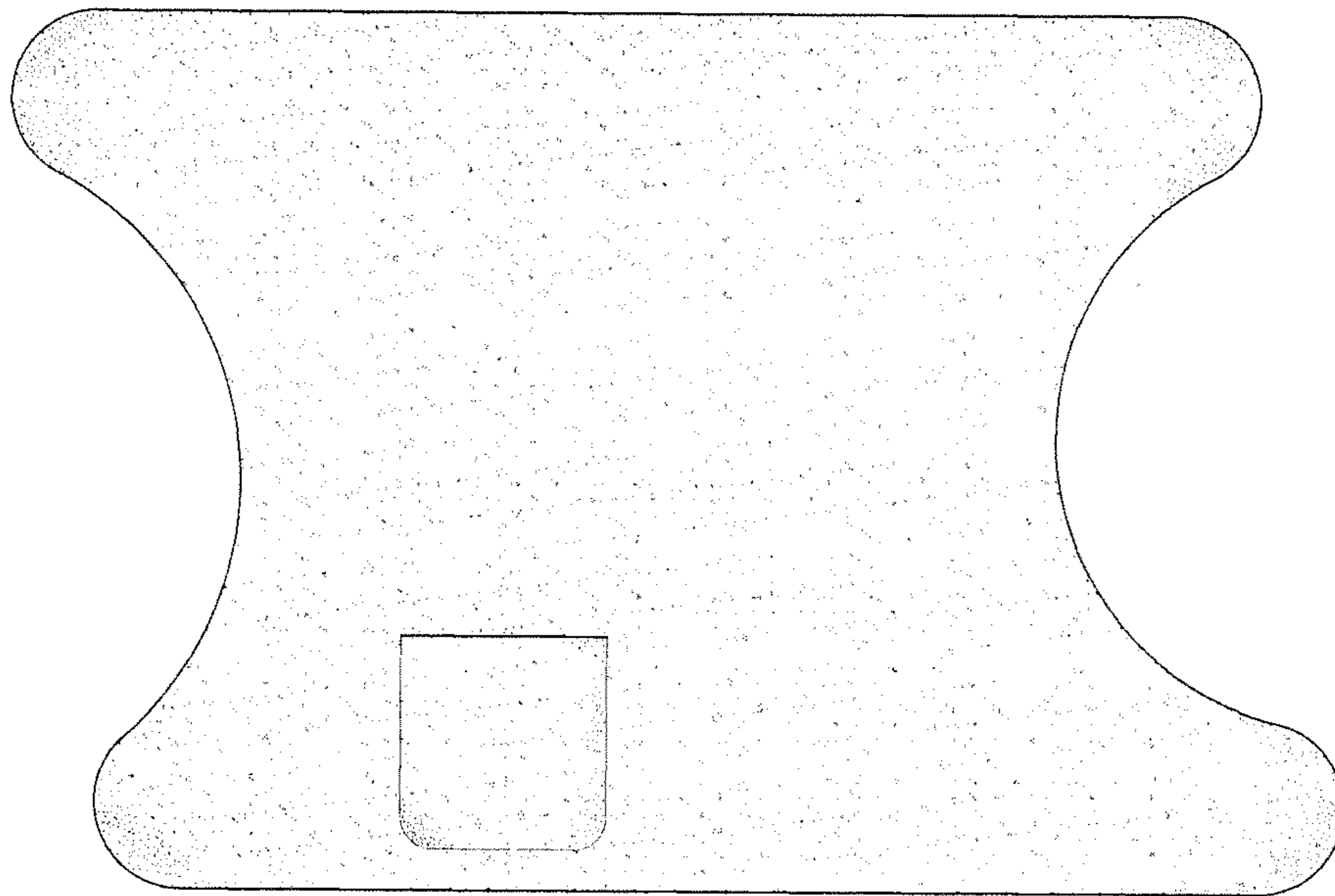


FIG. 2

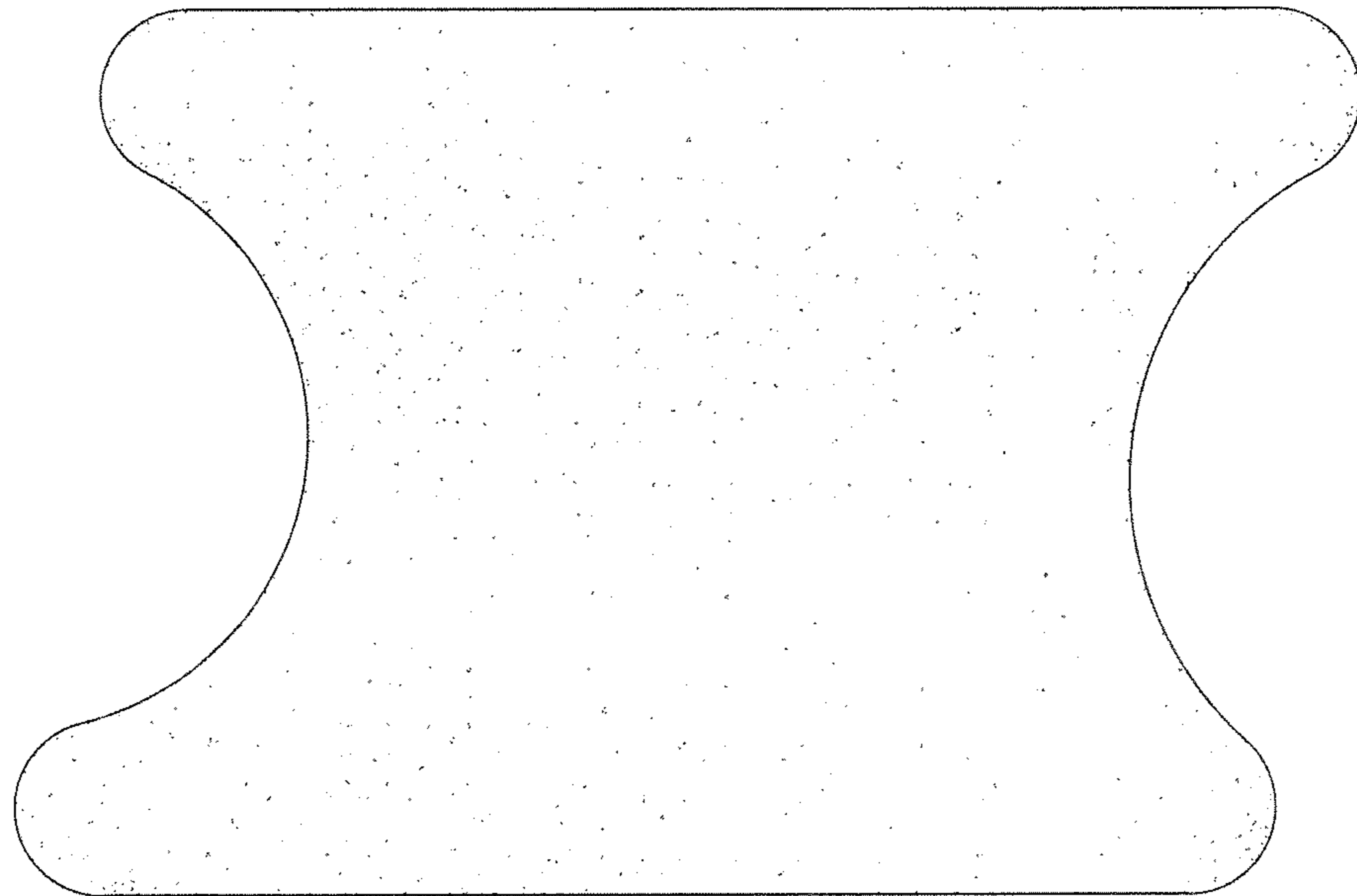


FIG. 3



FIG. 4



FIG. 5

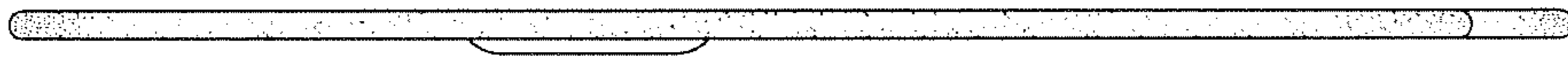


FIG. 6



FIG. 7