



US00D681838S

(12) **United States Design Patent**
Dalley

(10) **Patent No.:** **US D681,838 S**

(45) **Date of Patent:** **** May 7, 2013**

(54) **BABY BOTTLE**

(76) Inventor: **Diana Dalley**, Pembroke Pines, FL (US)

(**) Term: **14 Years**

(21) Appl. No.: **29/430,376**

(22) Filed: **Aug. 24, 2012**

(51) **LOC (9) Cl.** **07-01**

(52) **U.S. Cl.**
USPC **D24/197**

(58) **Field of Classification Search** D24/193–199;
D7/507, 509–511; D9/435, 444, 445, 453,
D9/454, 500, 503–504, 542, 551, 552; 215/6,
215/11.1–11.6, 227, 260, 261; 206/219,
206/222; 222/4, 94, 107

See application file for complete search history.

(56) **References Cited**

U.S. PATENT DOCUMENTS

1,451,822	A *	4/1923	Hagerty	215/11.1
3,134,495	A *	5/1964	Carbonel	215/11.5
3,200,980	A *	8/1965	Jamell	215/11.5
3,525,456	A *	8/1970	Mason et al.	222/4
4,603,784	A *	8/1986	Chang	215/11.1
5,431,290	A *	7/1995	Vinciguerra	215/11.5
5,499,729	A *	3/1996	Greenwood et al.	215/11.5

5,607,074	A *	3/1997	De Gennaro	215/11.5
D385,041	S *	10/1997	Sanfilippo	D24/197
5,699,921	A *	12/1997	Rodriguez	215/11.5
D402,372	S *	12/1998	Burchett et al.	D24/197
7,370,770	B2 *	5/2008	Chomik	215/343
D595,417	S *	6/2009	Driver et al.	D24/197
7,909,187	B2 *	3/2011	Montgomery	215/11.1
D642,468	S *	8/2011	Maxwell	D9/500
2011/0180508	A1 *	7/2011	Fong	215/11.5

* cited by examiner

Primary Examiner — Susan E Krakower

(74) *Attorney, Agent, or Firm* — Laurence A. Greenberg;
Werner H. Stemer; Ralph E. Locher

(57) **CLAIM**

The ornamental design for a baby bottle, as shown and described.

DESCRIPTION

FIG. 1 is a perspective view of a baby bottle showing my new design;

FIG. 2 is a side elevational view thereof;

FIG. 3 is a top plan view thereof;

FIG. 4 is a bottom plan view thereof; and,

FIG. 5 is an exploded side elevational view thereof, to show the order of assembly.

1 Claim, 4 Drawing Sheets

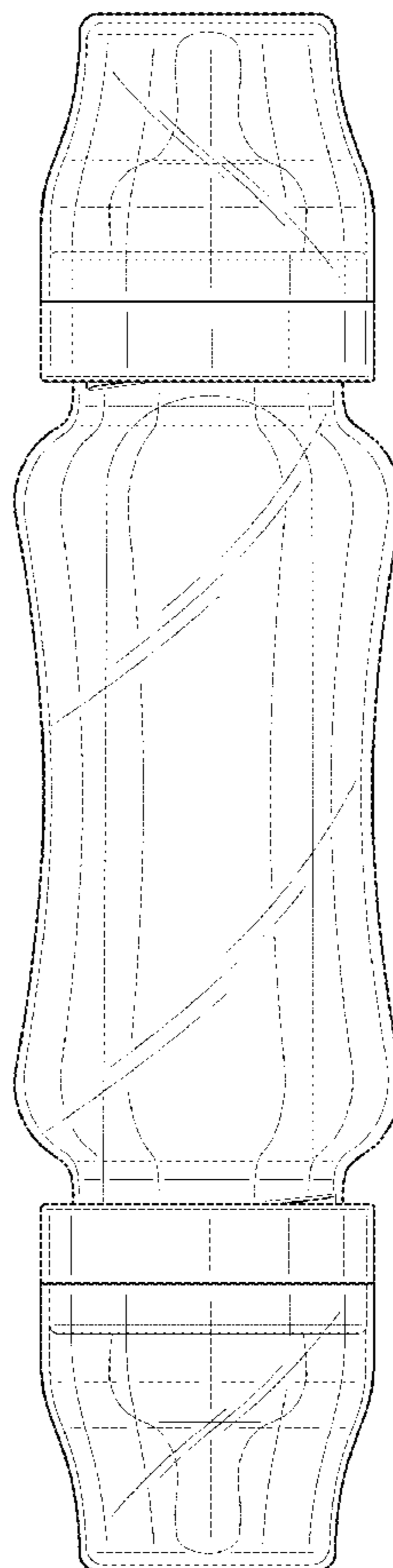
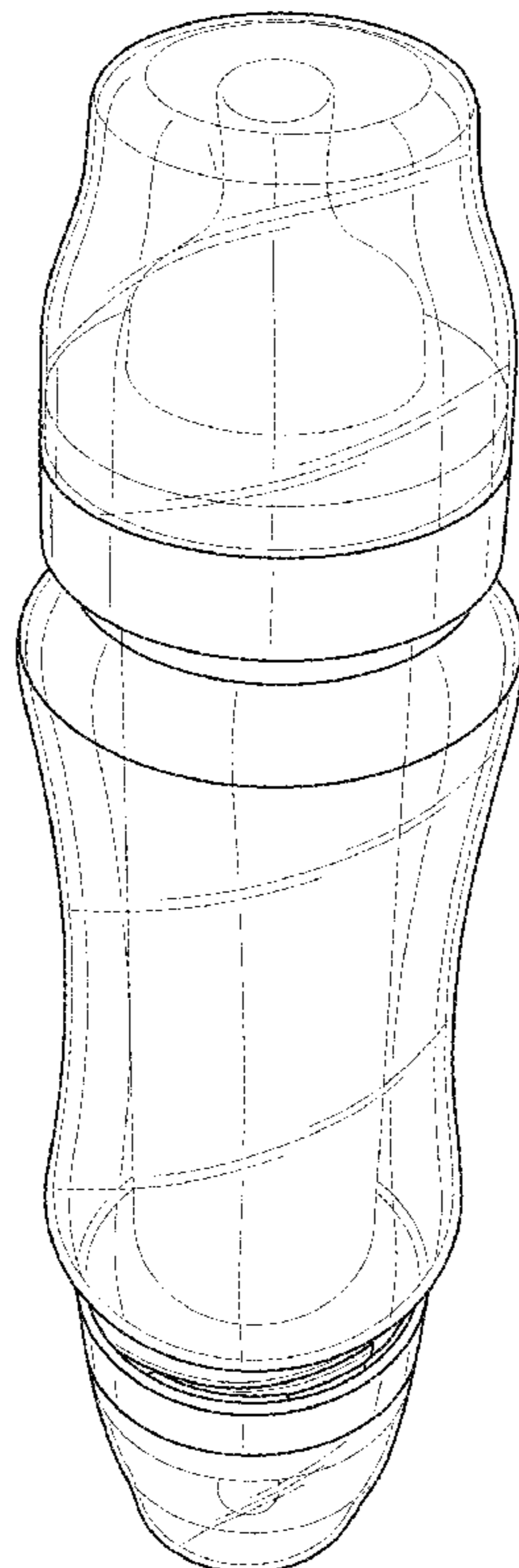


FIG. 1

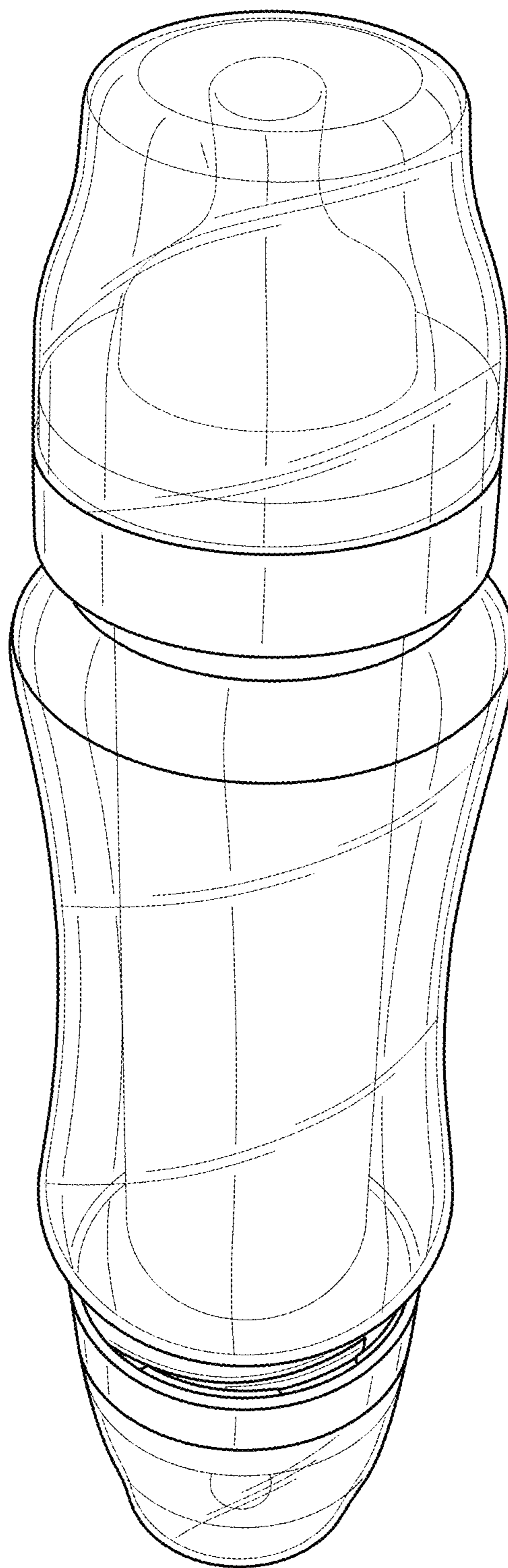
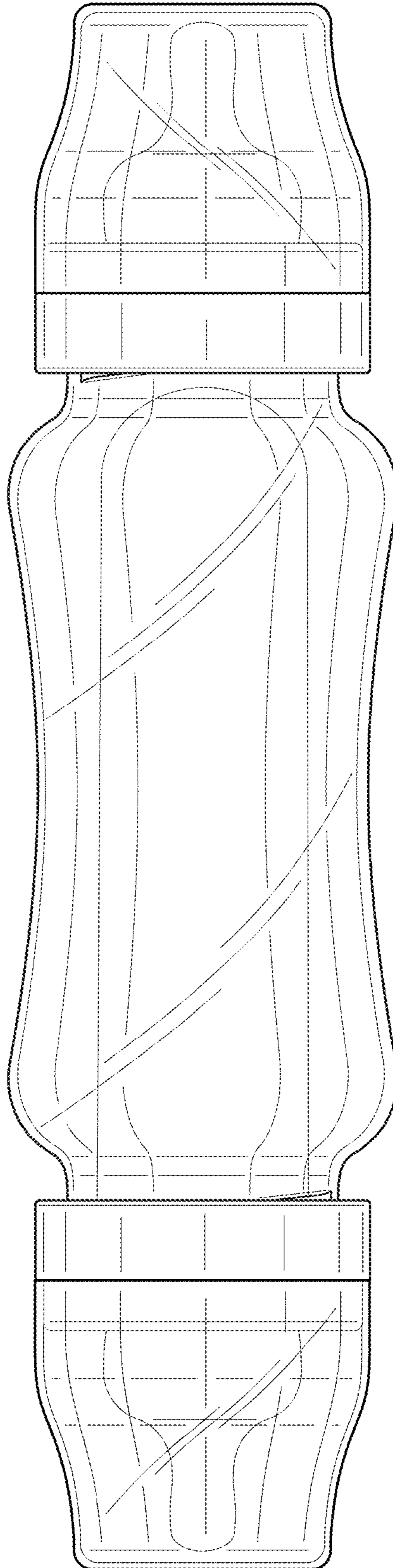


FIG. 2



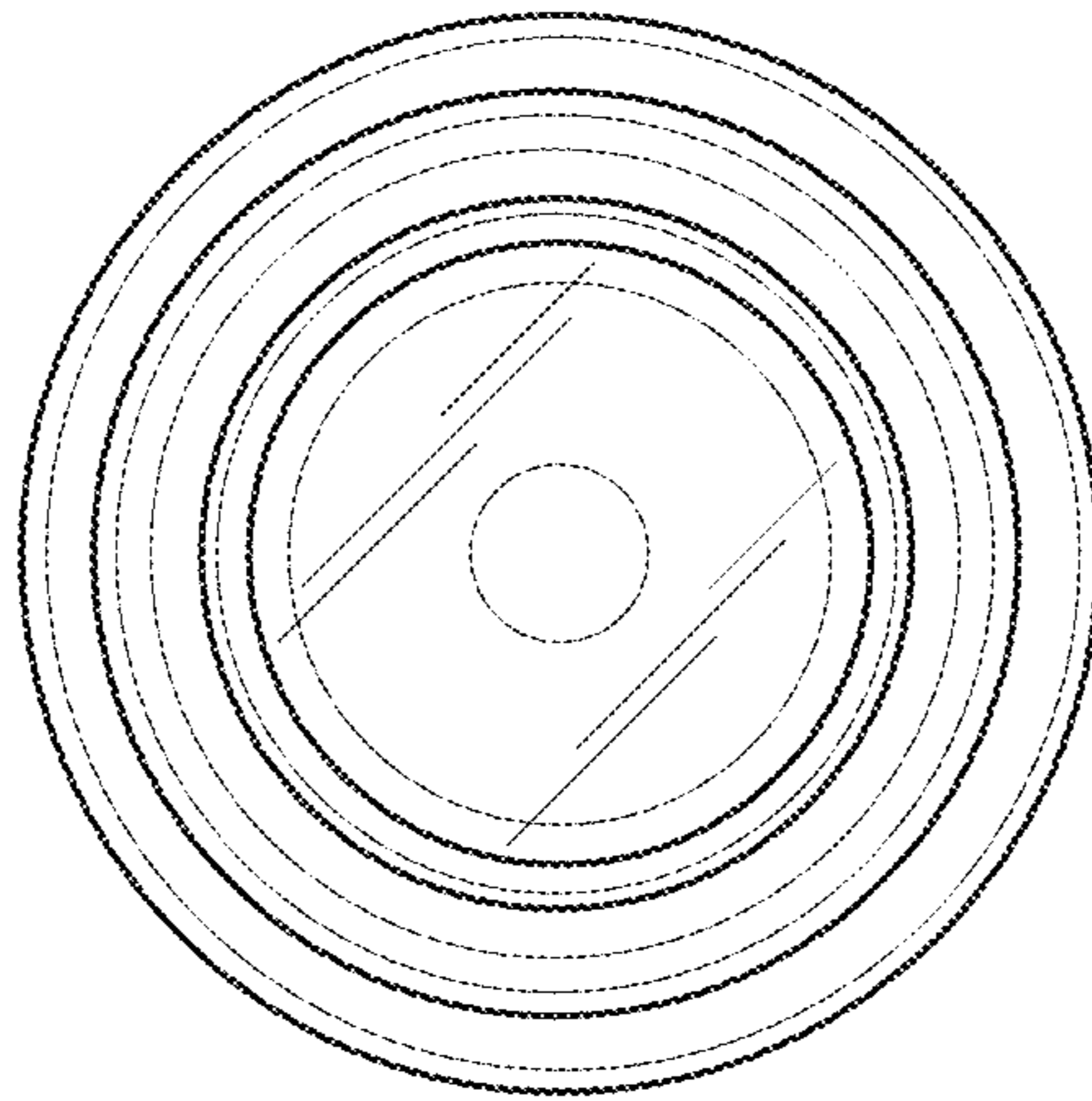


FIG. 3

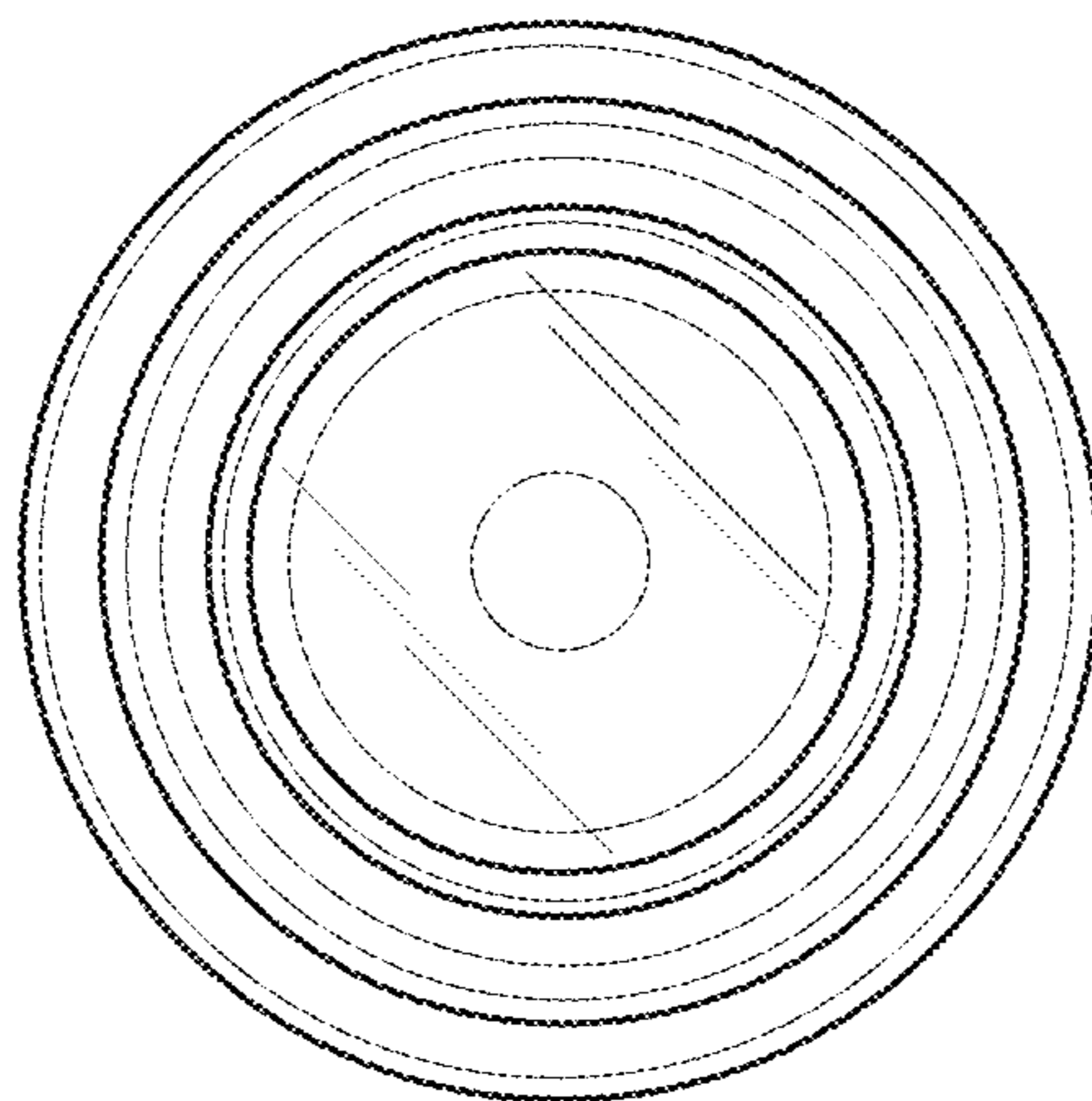


FIG. 4

FIG. 5

