



US00D681830S

(12) **United States Design Patent**
Chung et al.

(10) **Patent No.:** **US D681,830 S**
(45) **Date of Patent:** **** May 7, 2013**

(54) **BODY OF ULTRASONIC DIAGNOSTIC EQUIPMENT**

(75) Inventors: **Yeon-Moo Chung**, Seoul (KR);
Ho-Young Park, Yangju-si (KR);
Jae-Yoon Lee, Seoul (KR); **Jung-Hoon Kim**, Seoul (KR)

(73) Assignee: **Samsung Electronics Co., Ltd.**,
Suwon-si (KR)

(**) Term: **14 Years**

(21) Appl. No.: **29/431,390**

(22) Filed: **Sep. 6, 2012**

(30) **Foreign Application Priority Data**

Jul. 10, 2012 (KR) 30-2012-0033452

(51) **LOC (9) Cl.** **24-01**

(52) **U.S. Cl.**
USPC **D24/186**

(58) **Field of Classification Search** D24/144,
D24/160, 167-169, 172, 185-186, 200, 158,
D24/164; D34/12, 14; 248/47.34, 282.1;
606/32-34; 312/209, 223.1-223.2, 249.12;
600/1-3, 104, 437, 443, 459

See application file for complete search history.

(56) **References Cited**

U.S. PATENT DOCUMENTS

D311,580 S *	10/1990	Butler et al.	D24/167
D373,193 S *	8/1996	Luther	D24/167
D394,903 S *	6/1998	Barkley et al.	D24/167
D396,290 S *	7/1998	Myers et al.	D24/186
D445,189 S *	7/2001	Cannon et al.	D24/160
D454,954 S *	3/2002	Cannon et al.	D24/160
D484,981 S *	1/2004	Faller et al.	D24/167

D509,900 S *	9/2005	Barnes et al.	D24/160
D538,432 S *	3/2007	Diener et al.	D24/160
D550,366 S *	9/2007	Zhou	D24/186
D551,769 S *	9/2007	Skwarek et al.	D24/186
D560,280 S *	1/2008	Skwarek et al.	D24/186
D562,456 S *	2/2008	Scruggs et al.	D24/160
D609,349 S *	2/2010	Pelissier et al.	D24/186
D637,291 S *	5/2011	Wu et al.	D24/158
D639,434 S *	6/2011	Wodecki et al.	D24/160
D657,061 S *	4/2012	Wu et al.	D24/186
8,228,347 B2 *	7/2012	Beasley et al.	600/437
2008/0208061 A1 *	8/2008	Halmann	600/459
2008/0249406 A1 *	10/2008	Naruse	600/437

* cited by examiner

Primary Examiner — T. Chase Nelson

Assistant Examiner — Mark Cavanna

(74) *Attorney, Agent, or Firm* — Jefferson IP Law, LLP

(57) **CLAIM**

The ornamental design for body of ultrasonic diagnostic equipment, as shown and described.

DESCRIPTION

FIG. 1 is a perspective view of body of ultrasonic diagnostic equipment, showing a new design;
FIG. 2 is a front elevational view thereof;
FIG. 3 is a rear elevational view thereof;
FIG. 4 is a left side elevational view thereof;
FIG. 5 is a right side elevational view thereof;
FIG. 6 is a top plan view thereof;
FIG. 7 is a bottom plan view thereof; and,
FIG. 8 is a perspective view thereof showing the body of ultrasonic diagnostic equipment in an alternative configuration and in an environment in which it may be used.
The broken lines are included for the purpose of illustrating portions of the body of ultrasonic diagnostic equipment that form no part of the claimed design.

1 Claim, 8 Drawing Sheets

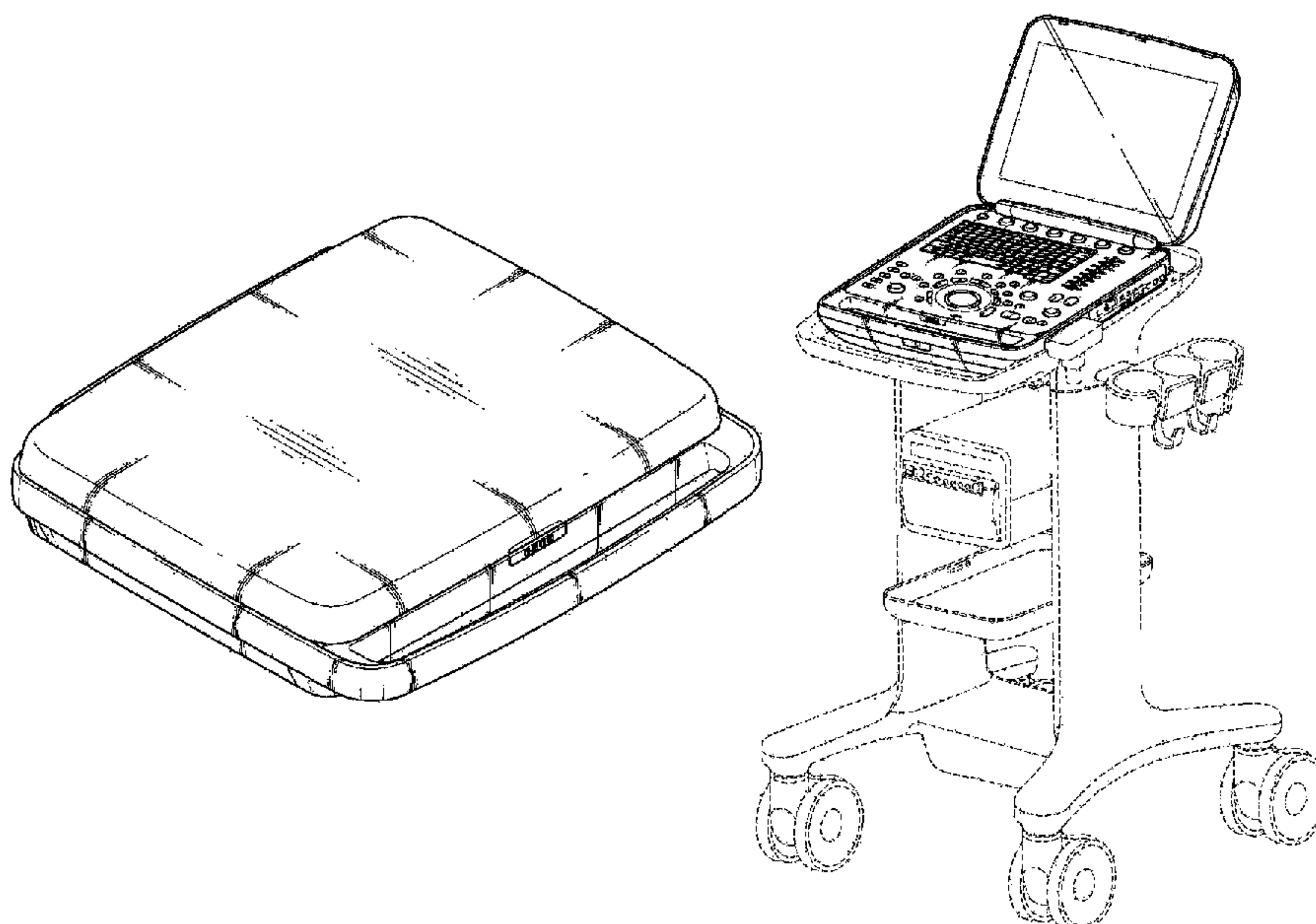


FIG. 1

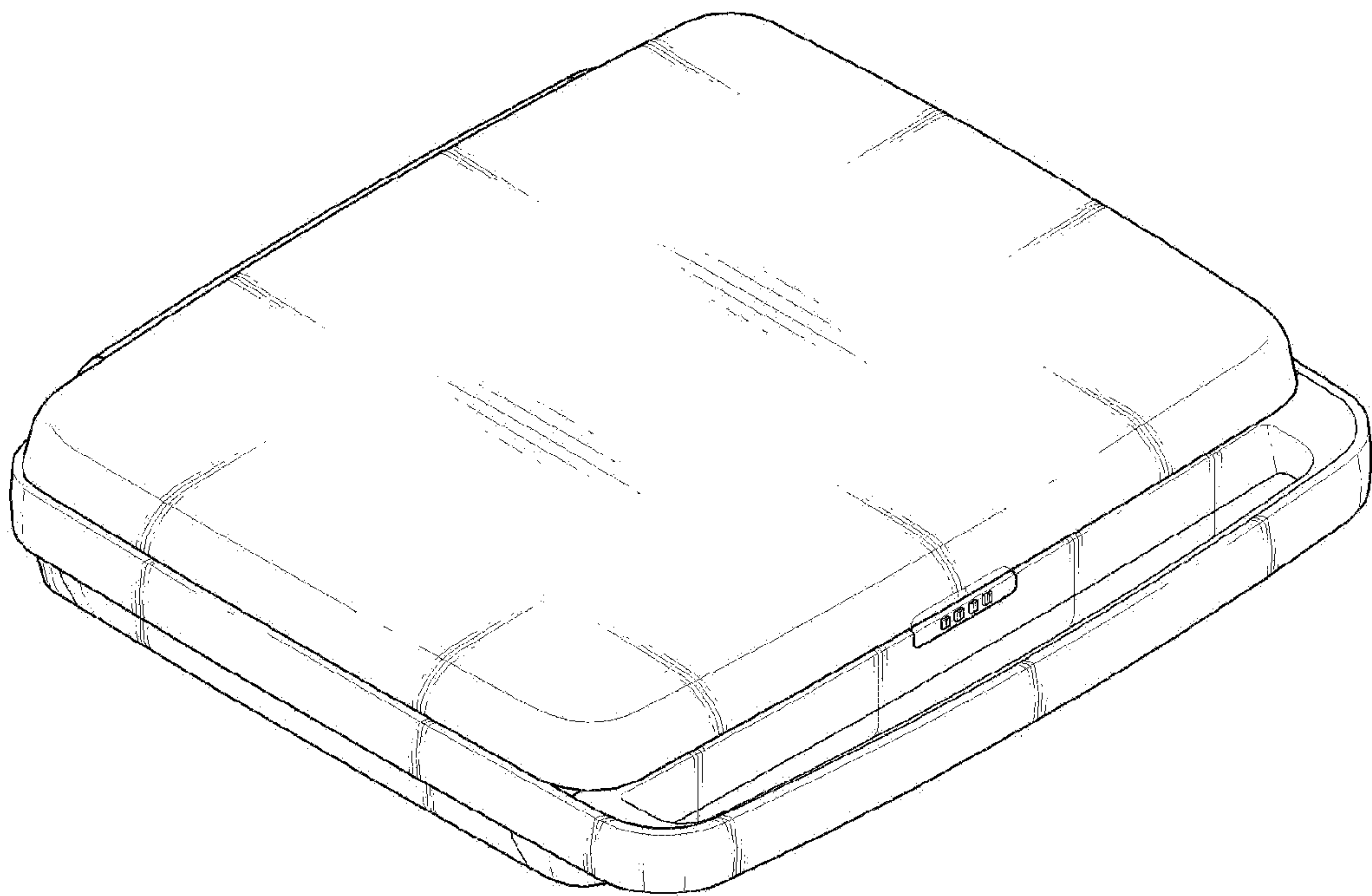


FIG.2

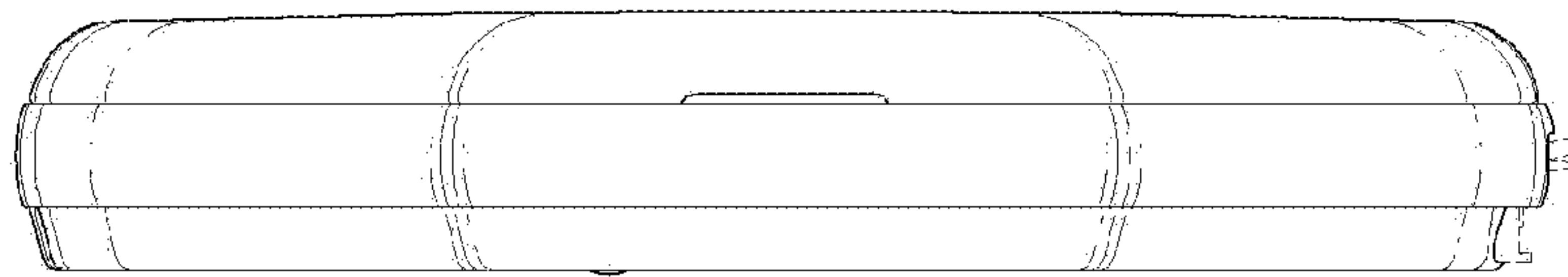


FIG. 3

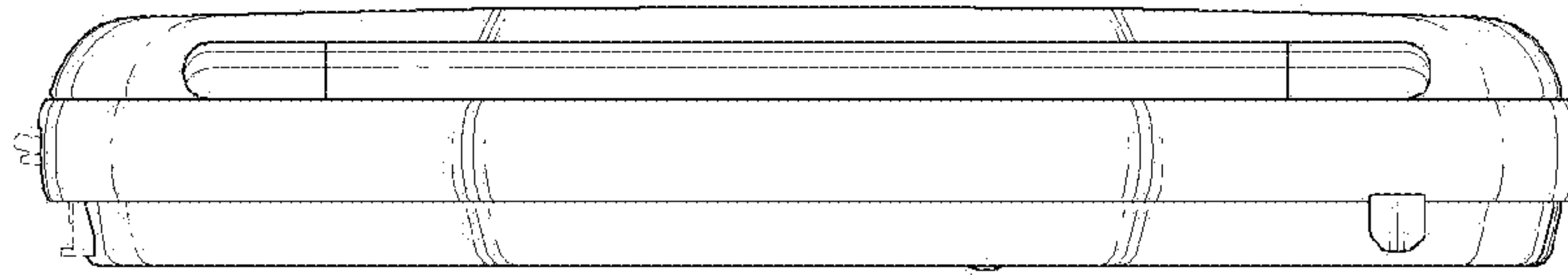


FIG. 4

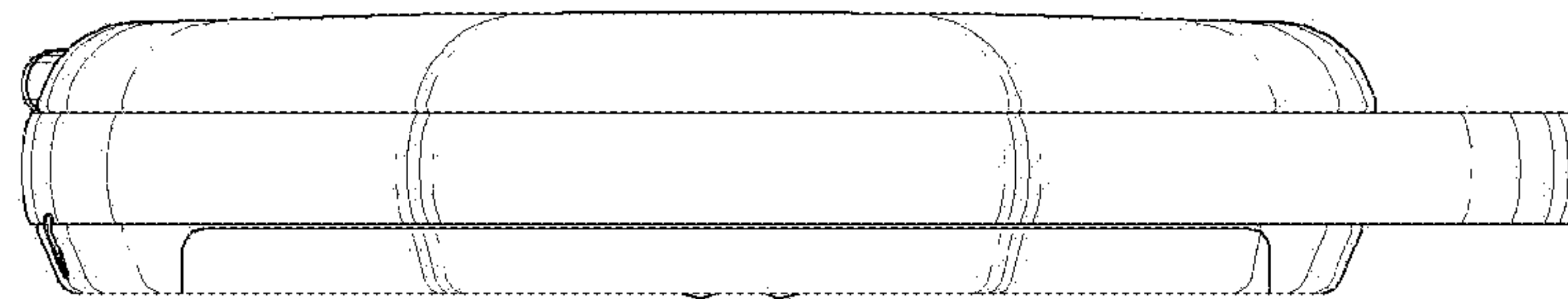


FIG. 5

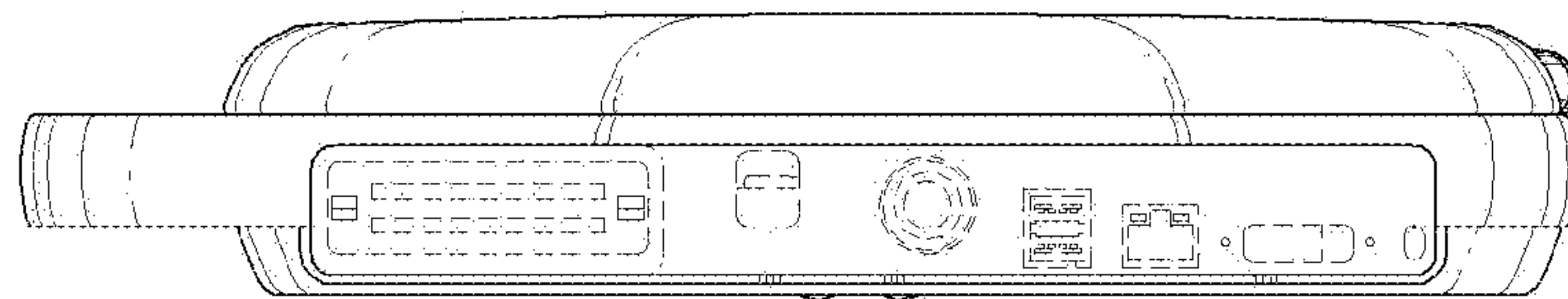


FIG. 6

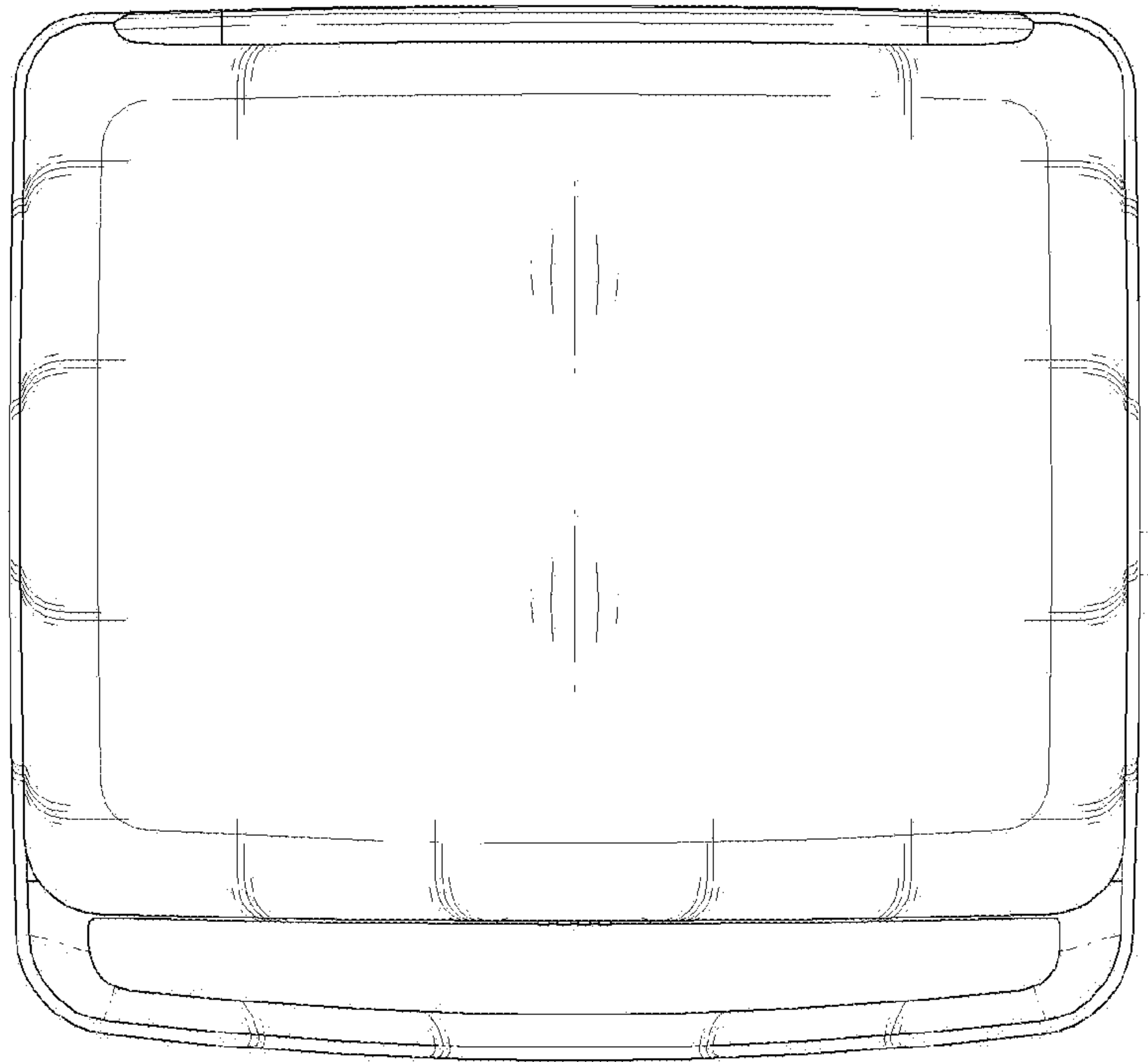


FIG. 7

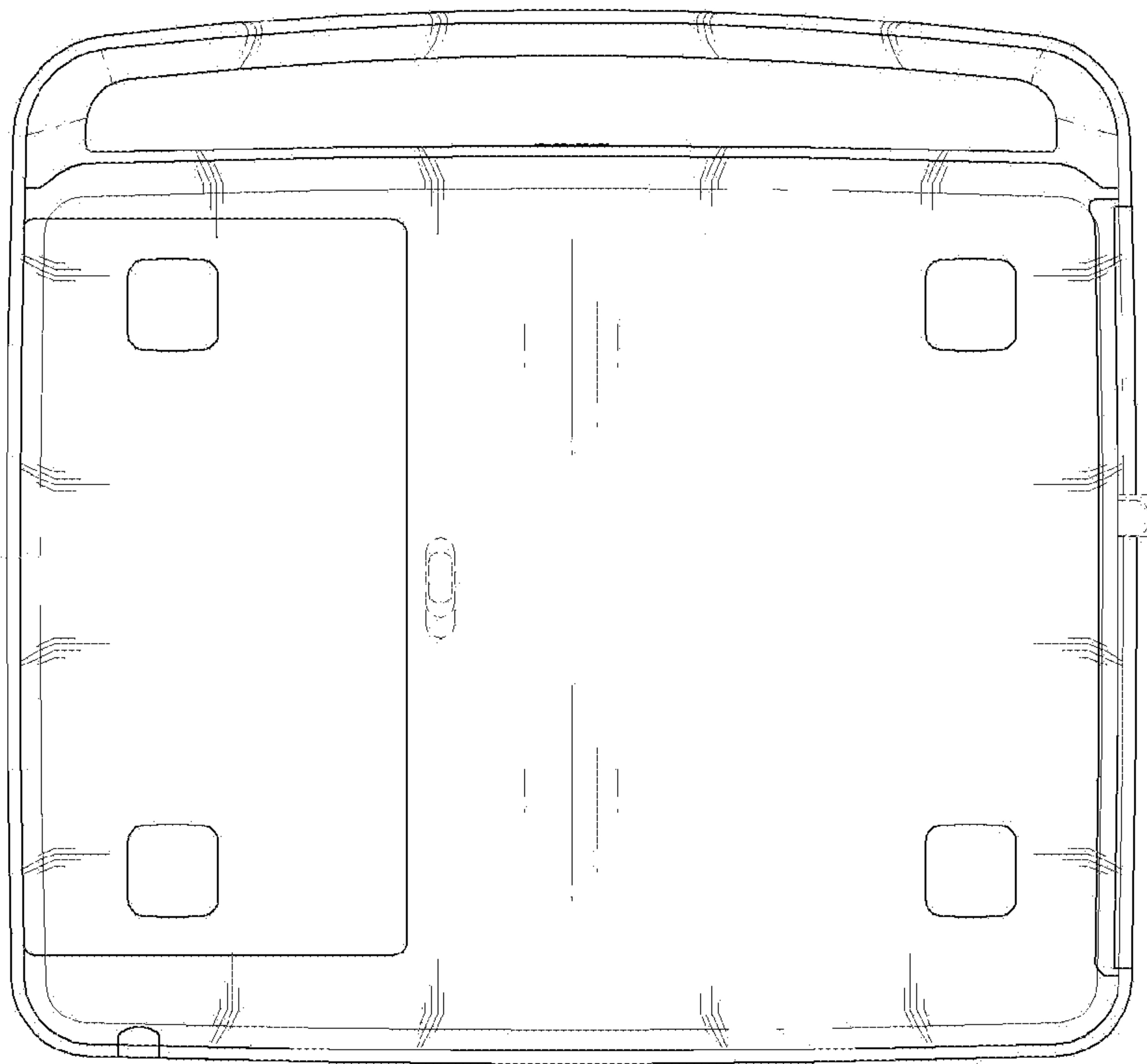


FIG. 8

