



US00D681814S

(12) **United States Design Patent**
Nenoki

(10) **Patent No.:** **US D681,814 S**
(45) **Date of Patent:** **** May 7, 2013**

(54) **X-RAY CAMERA**

(75) Inventor: **Yasuyo Nenoki**, Kanagawa (JP)

(73) Assignee: **FUJIFILM Corporation**, Tokyo (JP)

(**) Term: **14 Years**

(21) Appl. No.: **29/412,834**

(22) Filed: **Feb. 8, 2012**

(30) **Foreign Application Priority Data**

Sep. 21, 2011 (JP) 2011-021565

(51) **LOC (9) Cl.** **24-01**

(52) **U.S. Cl.**
USPC **D24/158; 378/197**

(58) **Field of Classification Search** D24/137,
D24/138, 158, 159, 160, 186; D16/200,
D16/202, 206, 208, 218; 378/10, 11, 37,
378/178, 179, 180, 193, 195, 196, 197, 198,
378/208, 209

See application file for complete search history.

(56) **References Cited**

U.S. PATENT DOCUMENTS

4,887,287	A *	12/1989	Cobben	378/198
D378,133	S *	2/1997	Murakami et al.	D24/158
6,031,891	A *	2/2000	Roos et al.	378/98.2
D551,347	S *	9/2007	Baba	D24/158
D553,748	S *	10/2007	Ogiwara	D24/158
D554,755	S *	11/2007	Iwasaki et al.	D24/158
D558,877	S *	1/2008	Ogiwara	D24/158
D582,862	S *	12/2008	Landerholm et al.	D13/162
D586,463	S *	2/2009	Evans et al.	D24/111
D609,811	S *	2/2010	Yokoyama et al.	D24/159
D613,411	S *	4/2010	Collins et al.	D24/186
D627,883	S *	11/2010	Hayashi	D24/138
D637,715	S *	5/2011	Clarke et al.	D24/137

D639,950	S *	6/2011	Ramos	D24/158
D639,957	S *	6/2011	Pauschitz	D24/169
D648,028	S *	11/2011	Yokoyama et al.	D24/158
D653,348	S *	1/2012	Barker et al.	D24/186
D657,059	S *	4/2012	Geijsen et al.	D24/160
D667,040	S *	9/2012	Holmes	D16/206
D668,770	S *	10/2012	Tucek et al.	D24/209
D671,216	S *	11/2012	Moon et al.	D24/158
D671,217	S *	11/2012	Moon et al.	D24/158
D673,274	S *	12/2012	Wahlstrom et al.	D24/158
2010/0215152	A1 *	8/2010	Takahashi	378/197
2010/0310052	A1 *	12/2010	Seimiya	378/197
2012/0207274	A1 *	8/2012	Yang et al.	378/62

* cited by examiner

Primary Examiner — Philip S Hyder

Assistant Examiner — John T Applewhite

(74) *Attorney, Agent, or Firm* — Sughrue Mion, PLLC

(57) **CLAIM**

The ornamental design for a X-ray camera, as shown and described.

DESCRIPTION

FIG. 1 is a top, front and side perspective view of an X-ray camera showing my new design, the X-ray camera constituting an X-ray source, an operation panel and an operation handle irradiates X-ray toward a patient; FIG. 2 is a front elevational view thereof; FIG. 3 is a rear elevational view thereof; FIG. 4 is a top plan view thereof; FIG. 5 is a bottom plan view thereof; FIG. 6 is a left side elevational view thereof; FIG. 7 is a right side elevational view thereof; and, FIG. 8 is a referential view thereof showing a manner attached to the ceiling.

The broken lines shown environmental structure that forms no part of the claimed design.

1 Claim, 5 Drawing Sheets

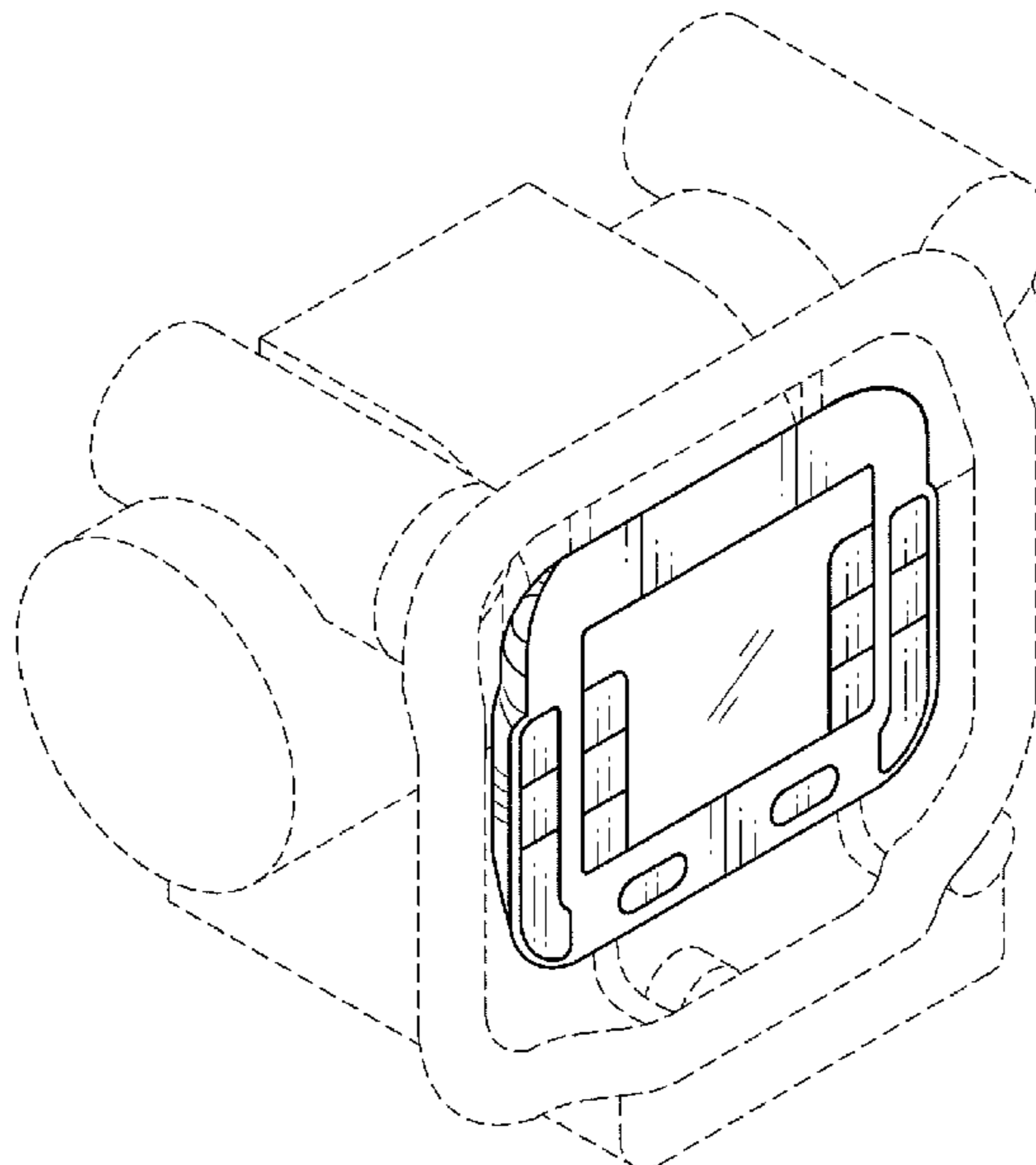


FIG. 1

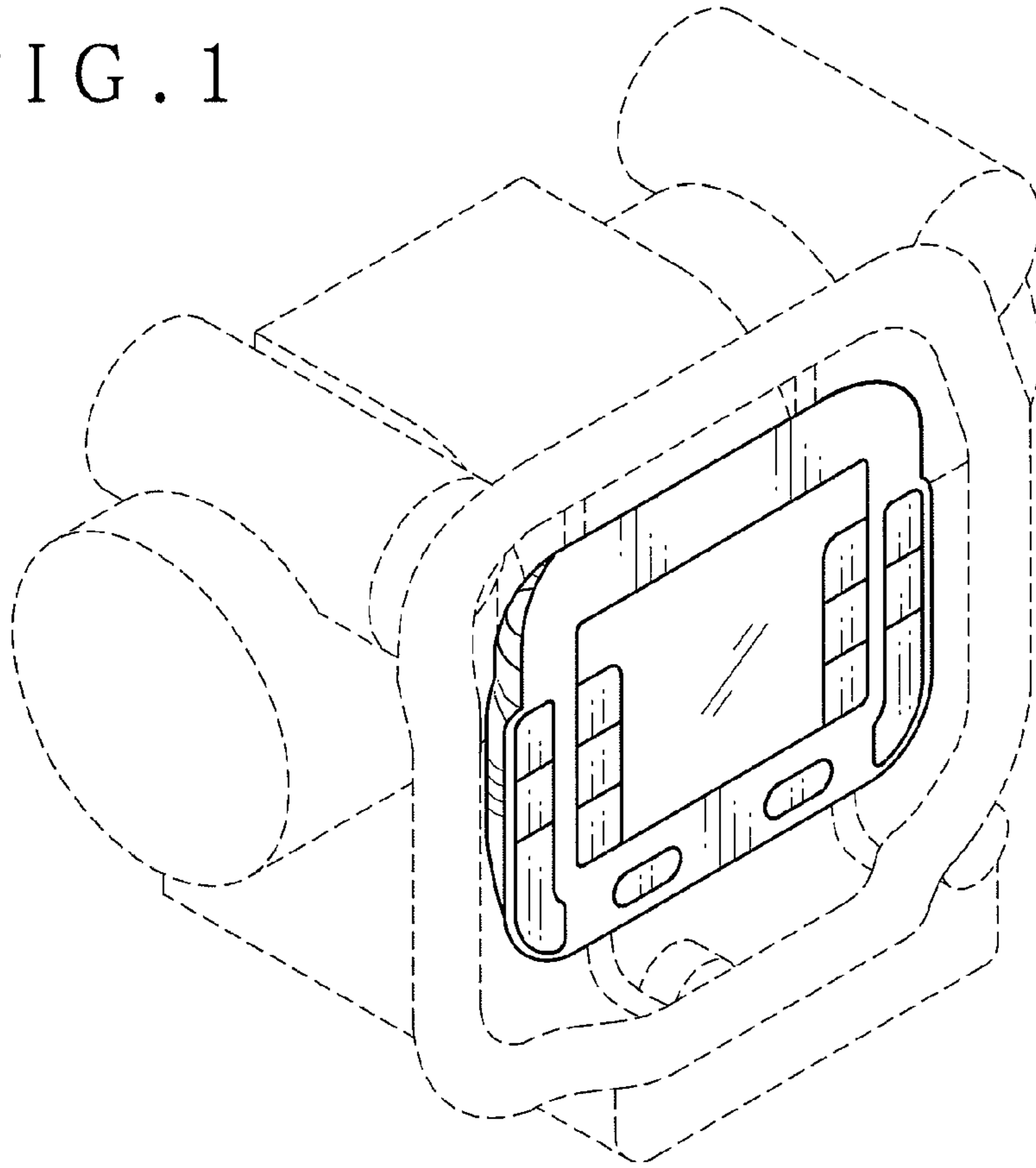


FIG. 2

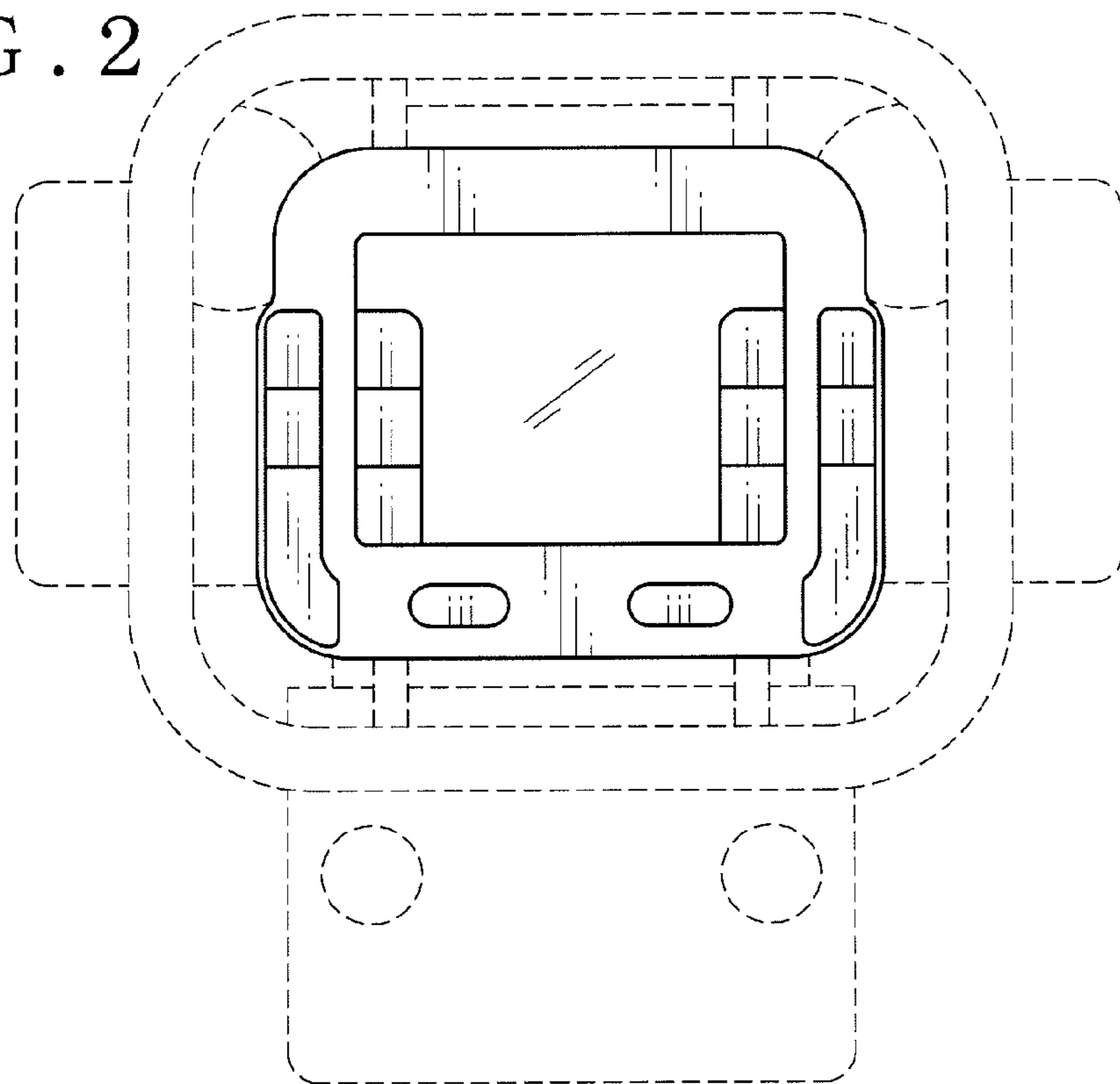


FIG. 3

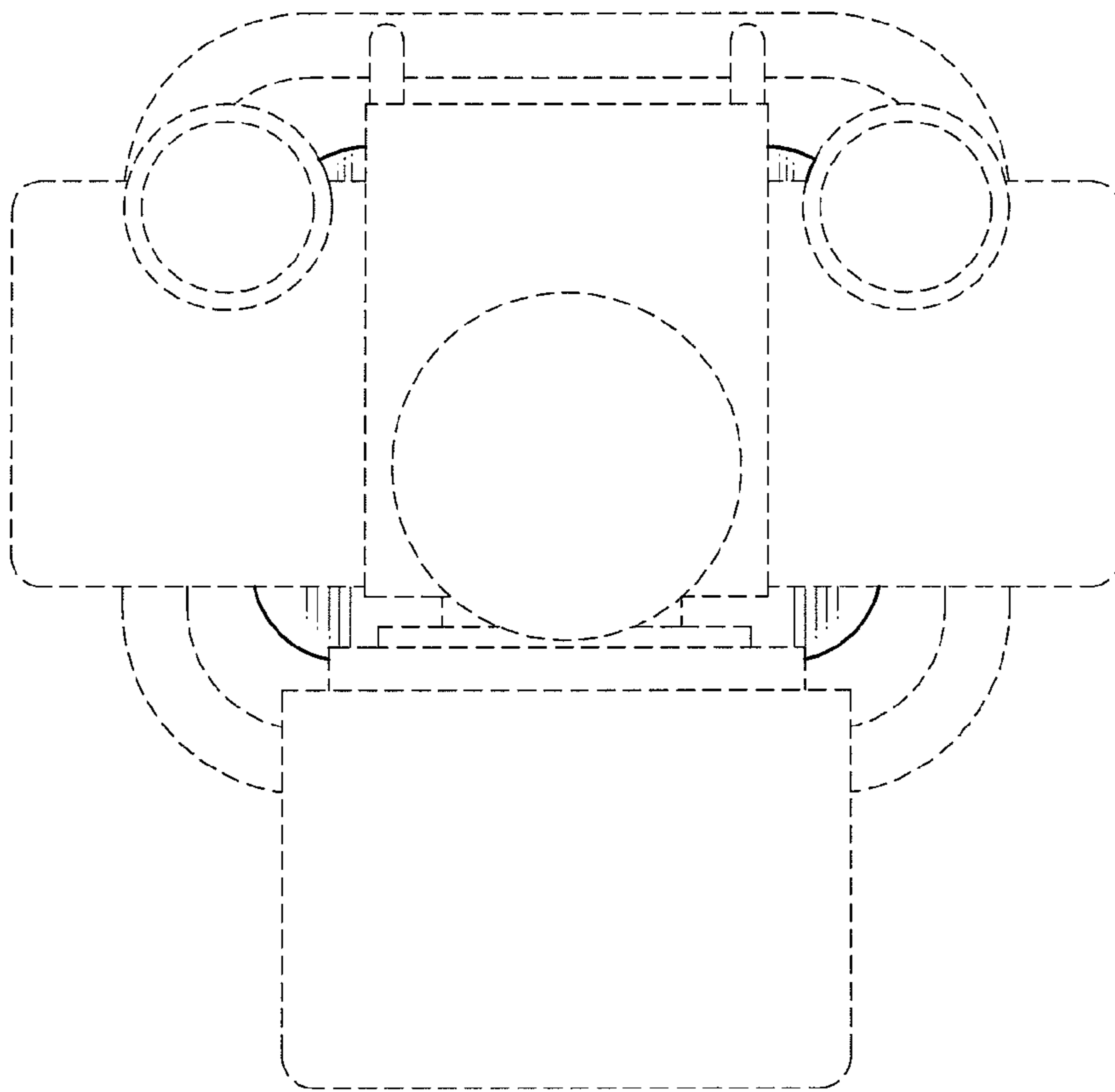


FIG. 4

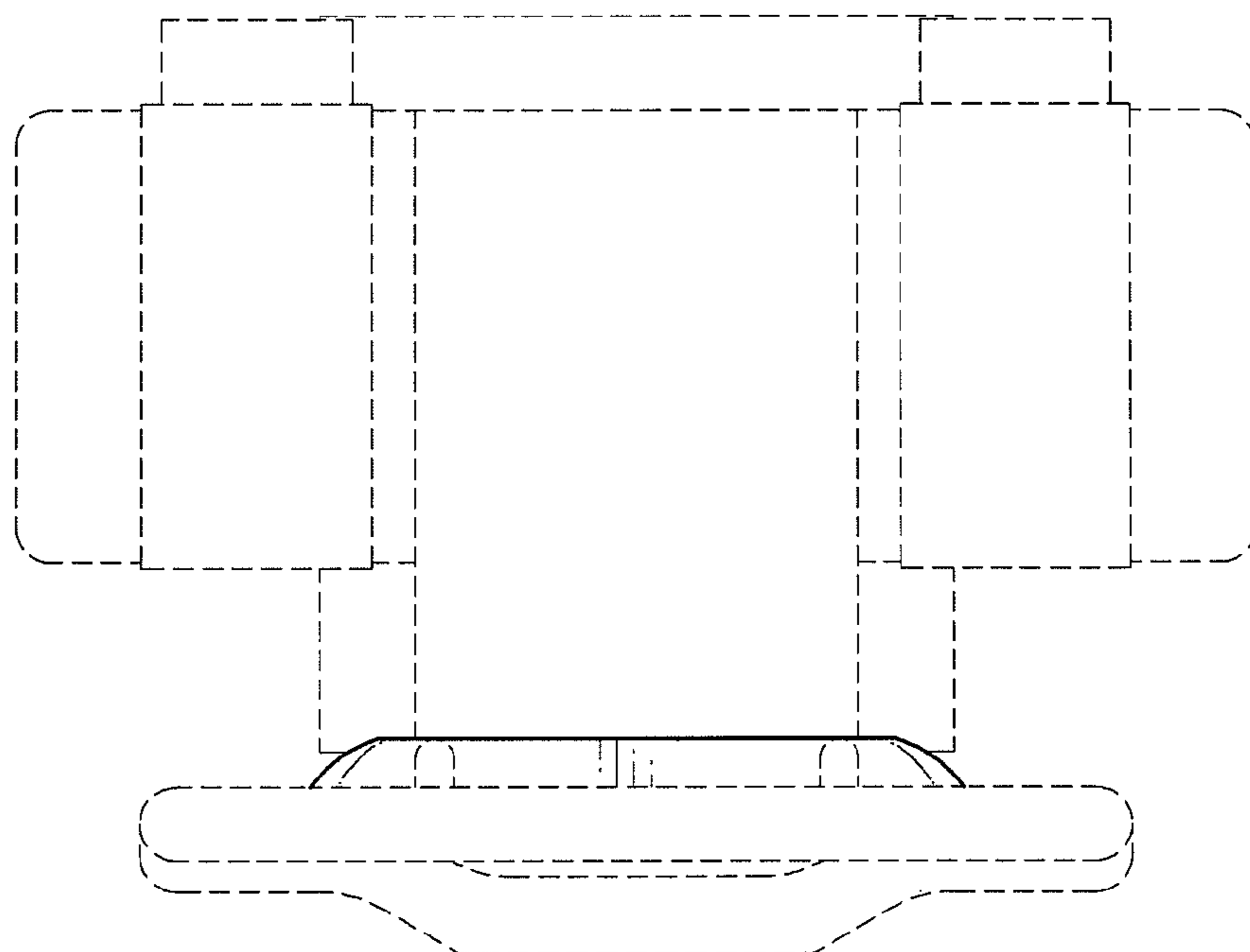


FIG. 5

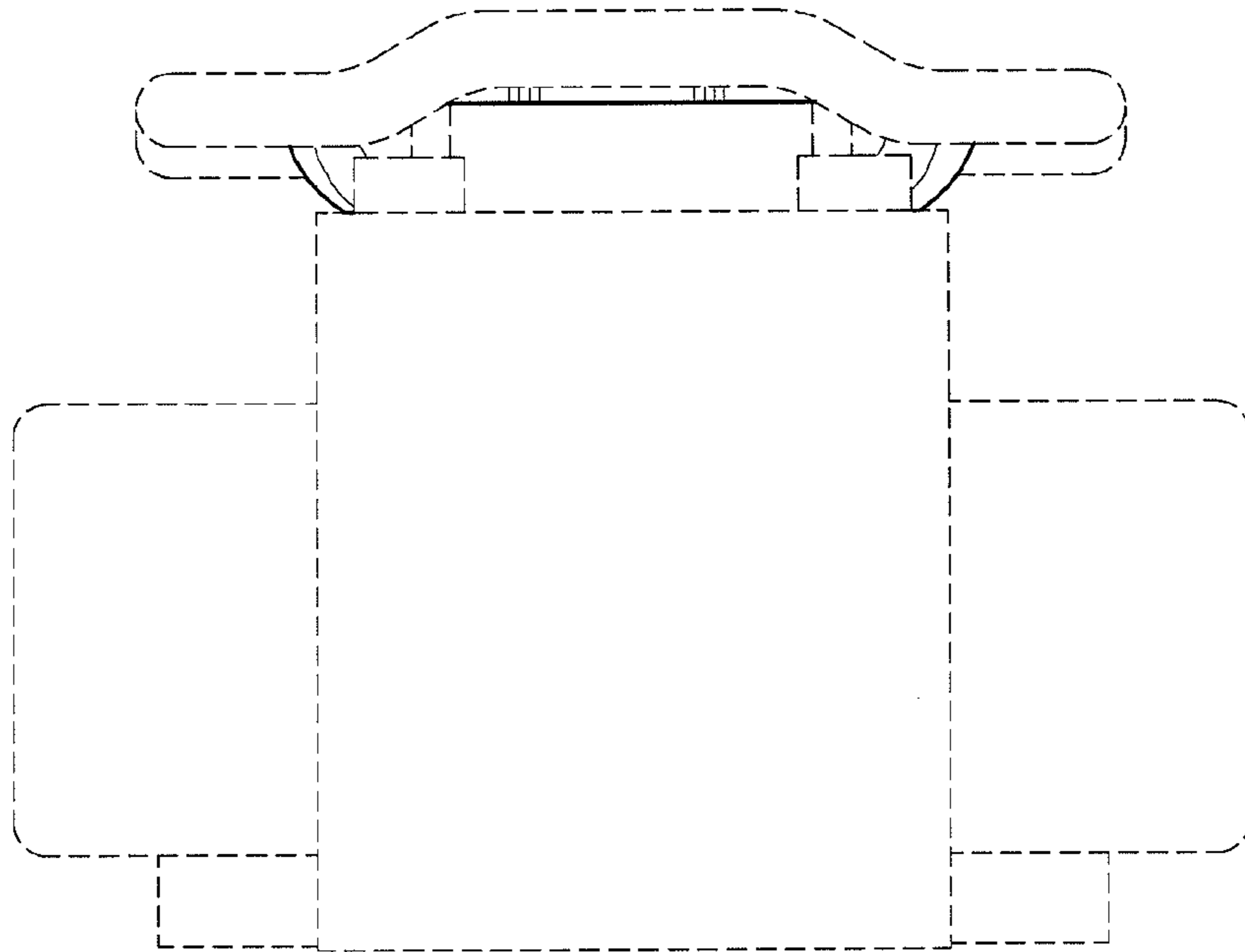


FIG. 6

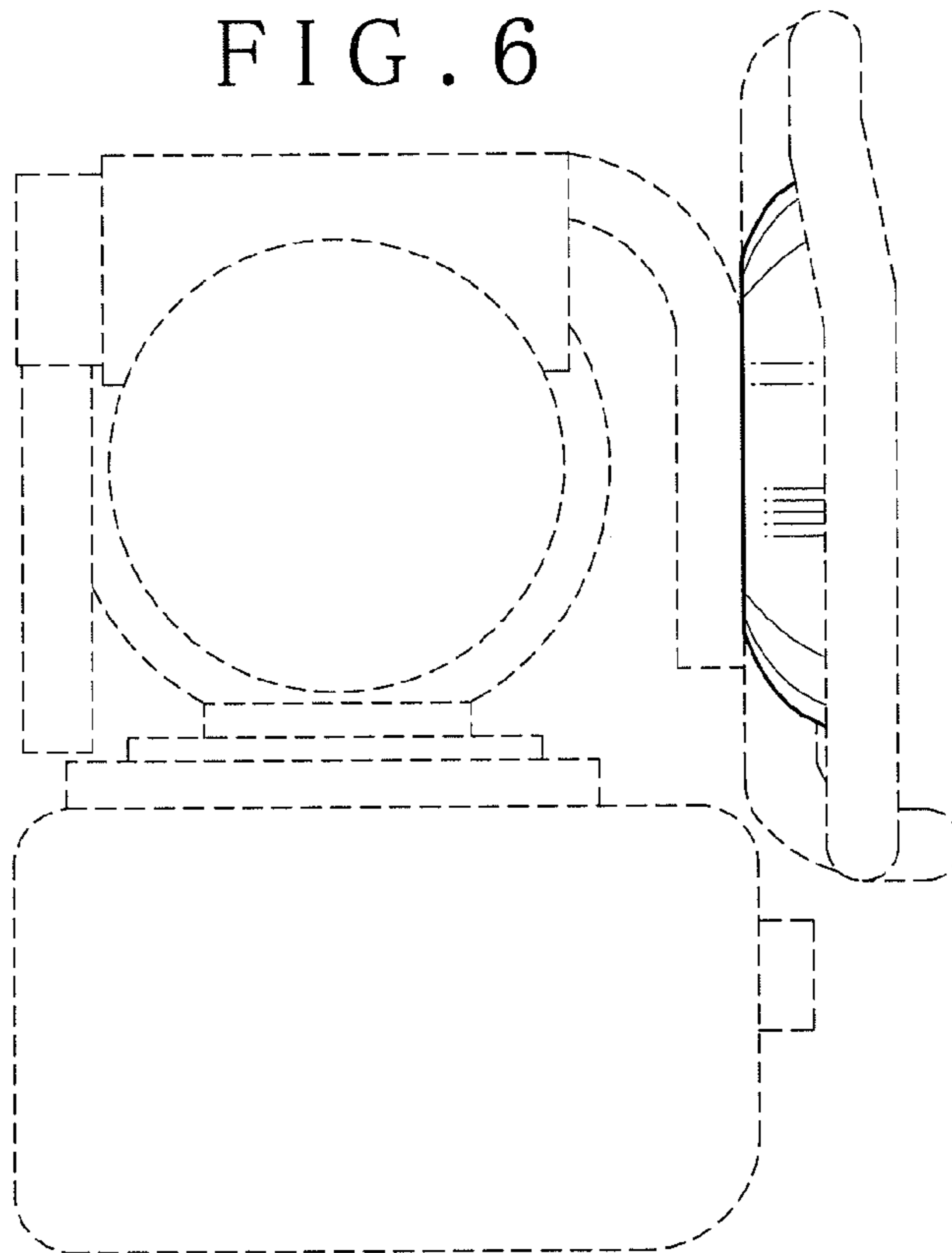


FIG. 7

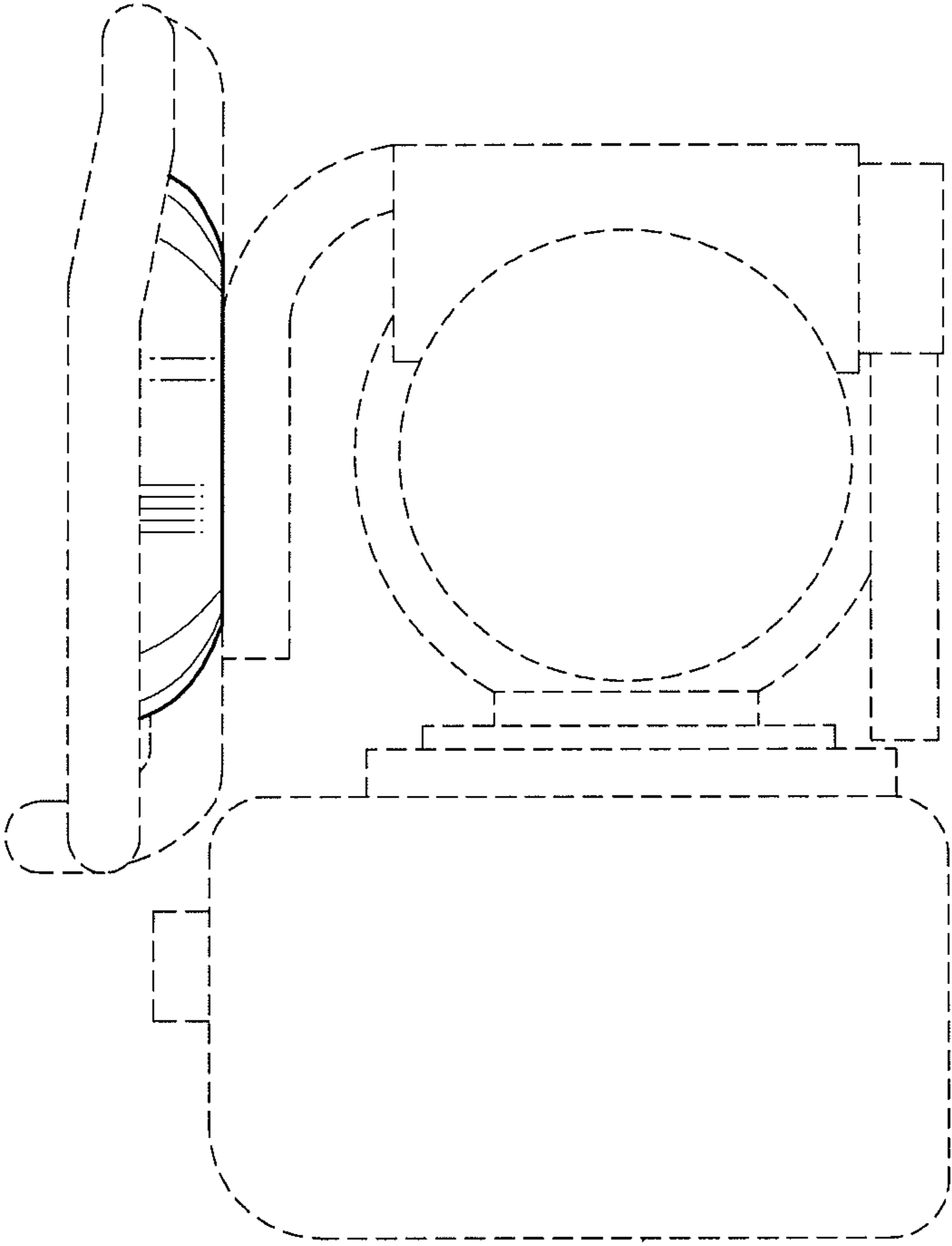


FIG. 8

