



US00D681808S

(12) **United States Design Patent**
Holaschke et al.

(10) **Patent No.:** **US D681,808 S**
(45) **Date of Patent:** **** May 7, 2013**

(54) **SYRINGE**
(75) Inventors: **Sebastian Holaschke**, Bregenz (AT);
Irina Nigel-Assmann, Altach (AT)
(73) Assignee: **Ivoclar Vivadent AG**, Schaan (LI)
(**) Term: **14 Years**
(21) Appl. No.: **29/385,872**

6,729,370 B2 * 5/2004 Norton et al. 604/187
D548,867 S * 8/2007 Chue D24/130
D610,253 S * 2/2010 Kawamura D24/114
D615,197 S * 5/2010 Koh et al. D24/133
D629,098 S * 12/2010 Sonleiter et al. D24/133
D636,489 S * 4/2011 D'Agostino et al. D24/130
D639,946 S * 6/2011 Simon D24/112
D645,958 S * 9/2011 Assmann et al. D24/113
D652,138 S * 1/2012 Nino et al. D24/133
D661,389 S * 6/2012 Morgan et al. D24/130

* cited by examiner

(22) Filed: **Feb. 22, 2011**

Primary Examiner — David Muller

(30) **Foreign Application Priority Data**

(74) *Attorney, Agent, or Firm* — Ann M. Knab; Thad McMurray

Sep. 29, 2010 (EP) 566 683 201

(51) **LOC (9) Cl.** **24-02**

(57) **CLAIM**
The ornamental design for a syringe, as shown and described.

(52) **U.S. Cl.**
USPC **D24/114**

DESCRIPTION

(58) **Field of Classification Search** D24/112–114,
D24/133, 186, 104, 130, 127; 606/181, 185;
604/232, 187, 158, 164.08, 192, 263, 163,
604/181, 184, 198, 227
See application file for complete search history.

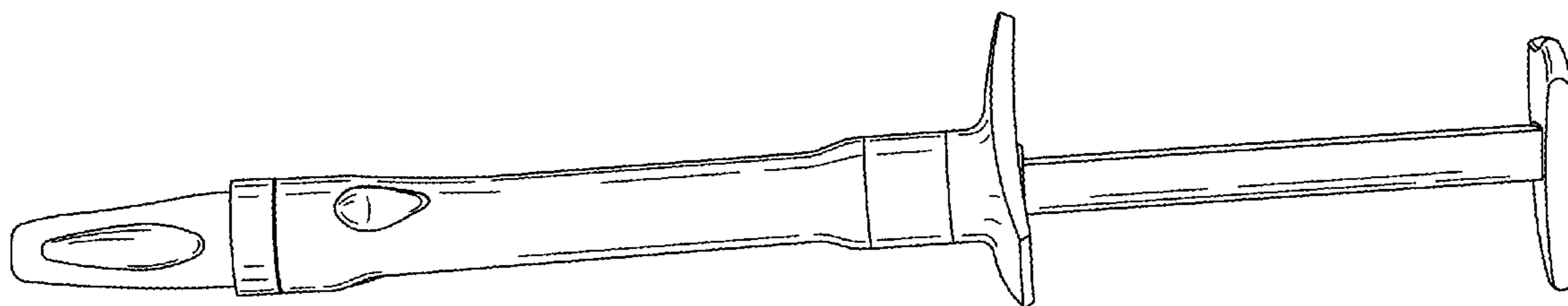
FIG. 1 is a perspective front view of a syringe, showing our new design.
FIG. 2 is a partially exploded perspective view thereof, with the cap removed.
FIG. 3 is a left side elevation view of FIG. 1.
FIG. 4 is a perspective view of FIG. 2.
FIG. 5 is a right side elevation view of FIG. 1.
FIG. 6 is a left side elevation view of the syringe of FIG. 2.
FIG. 7 is a bottom plan view of FIG. 1; and,
FIG. 8 is a top plan view of FIG. 1.

(56) **References Cited**

1 Claim, 8 Drawing Sheets

U.S. PATENT DOCUMENTS

D372,310 S * 7/1996 Hartnett D24/114
D401,324 S * 11/1998 Hjertman et al. D24/114
D470,234 S * 2/2003 Mahurkar D24/114



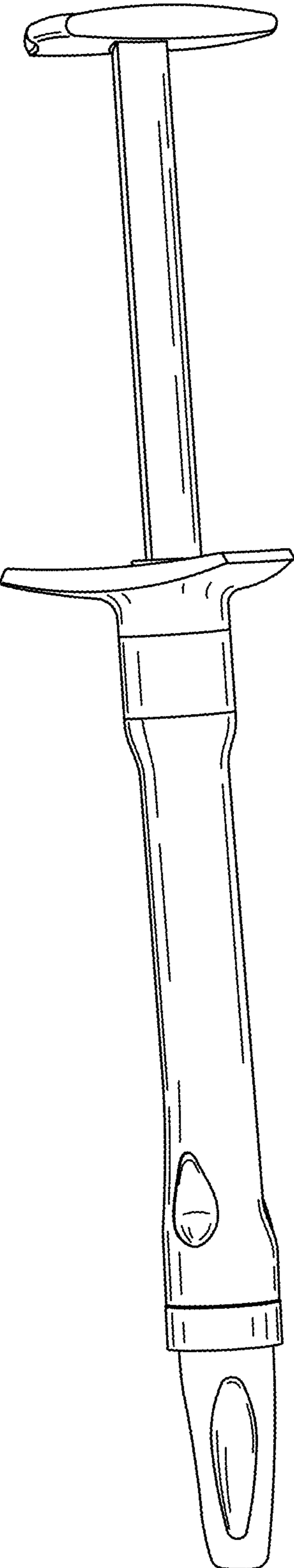


Fig. 1

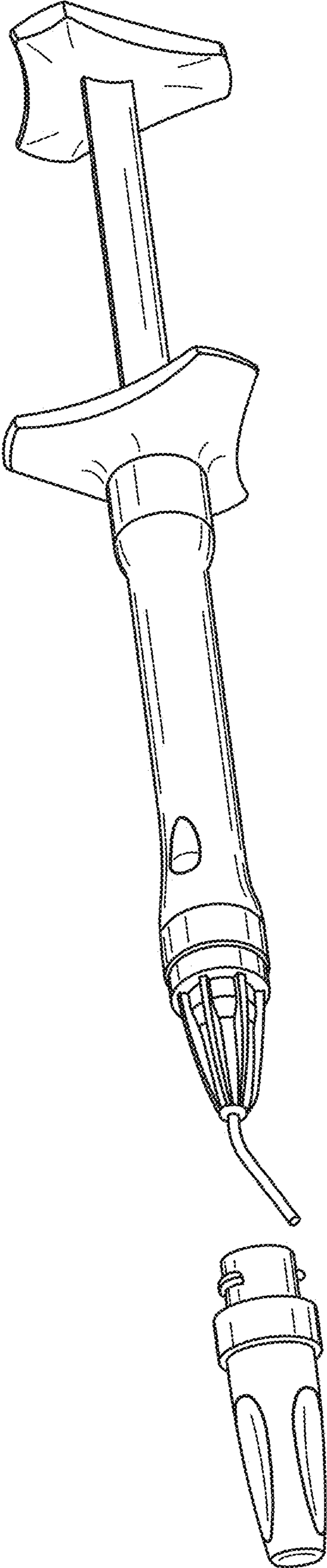


Fig. 2

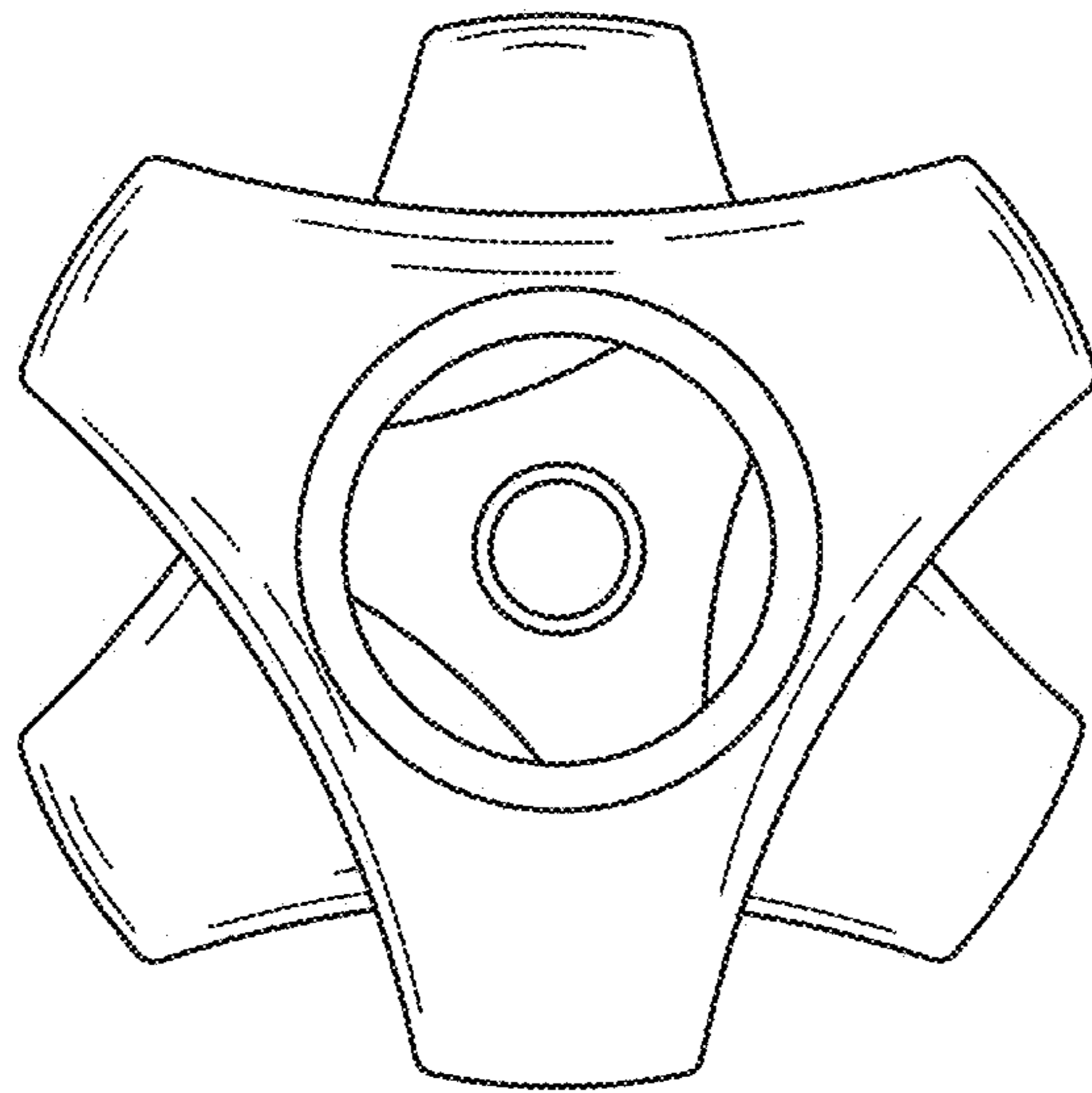


Fig. 3

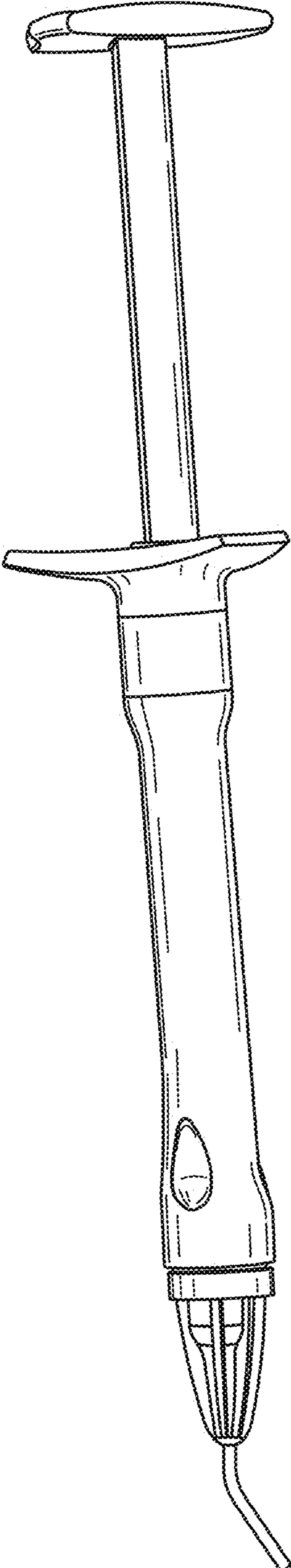


Fig. 4

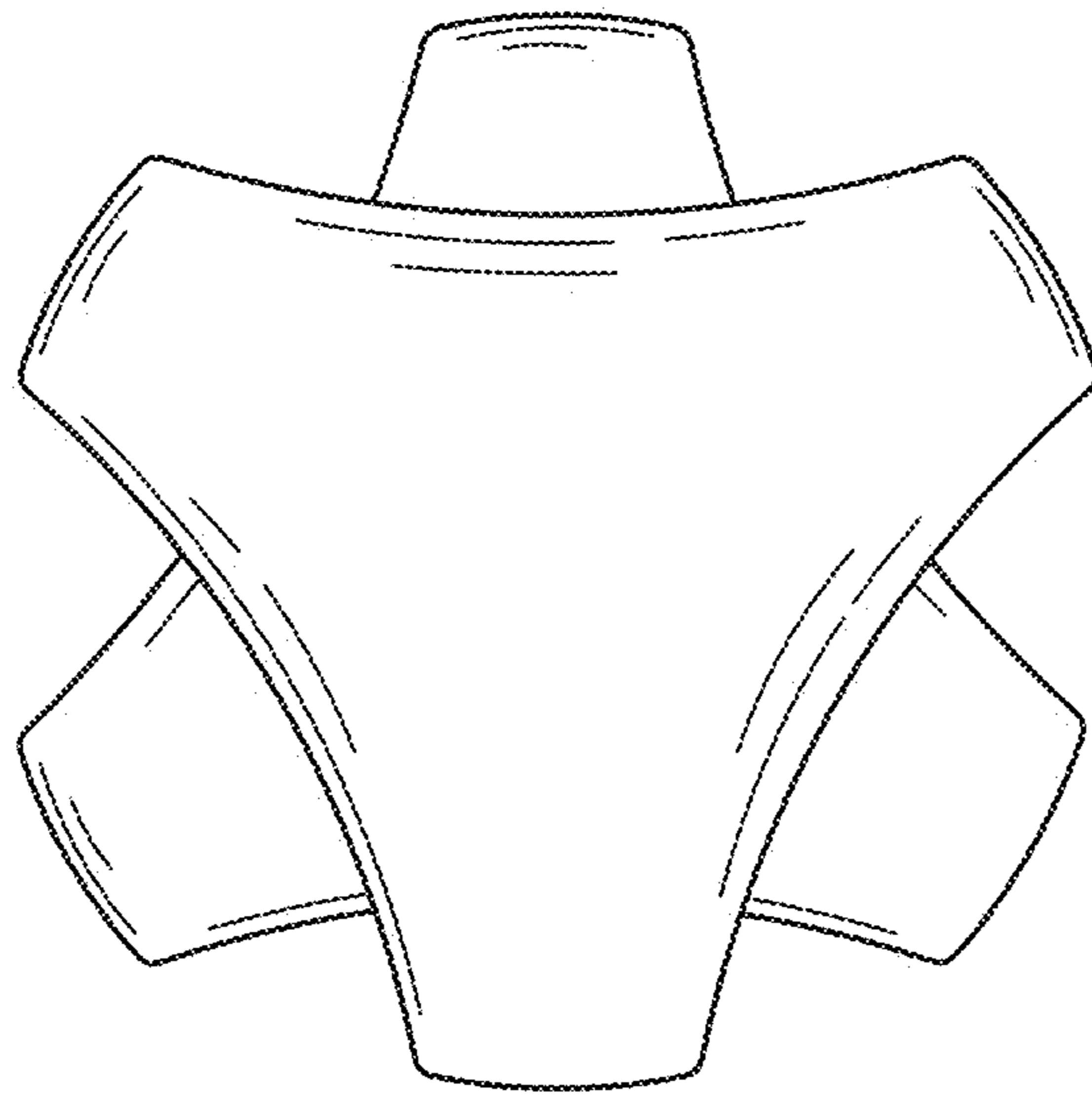


Fig. 5

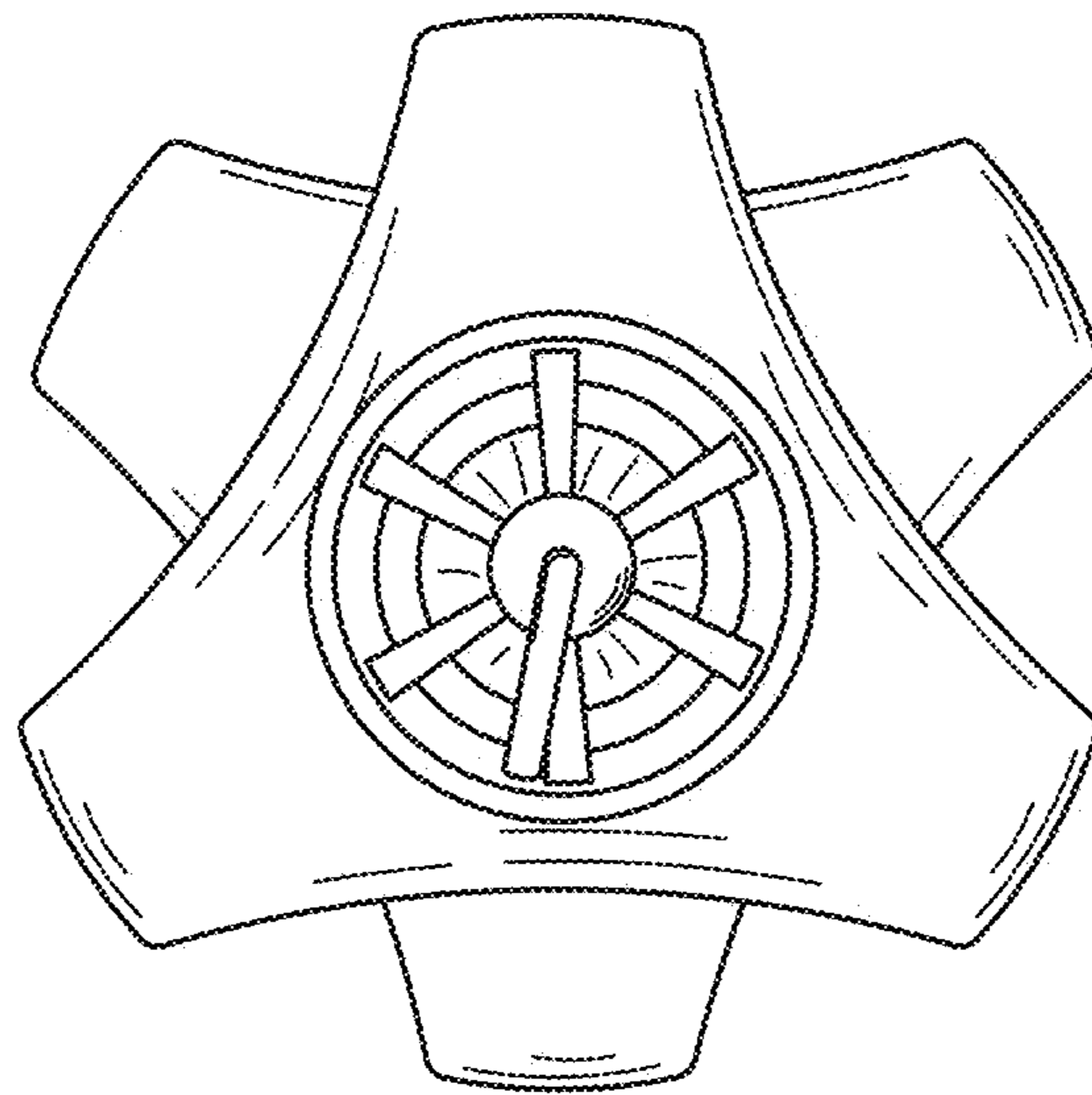


Fig. 6

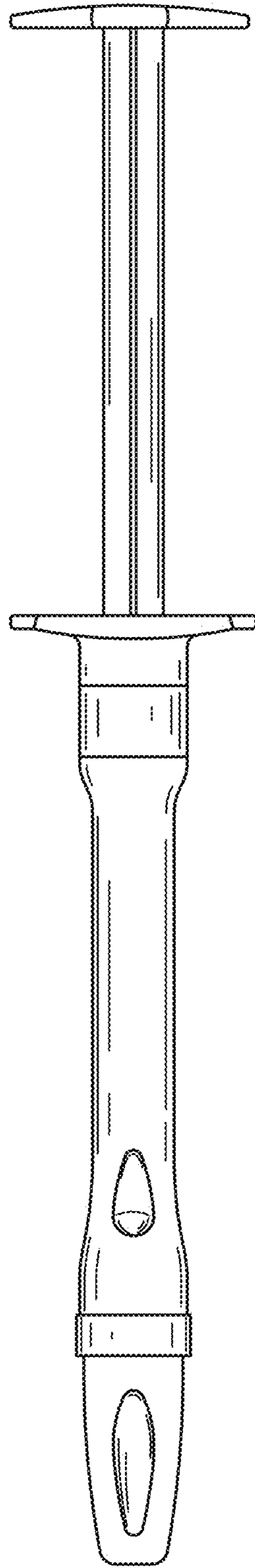


Fig. 7

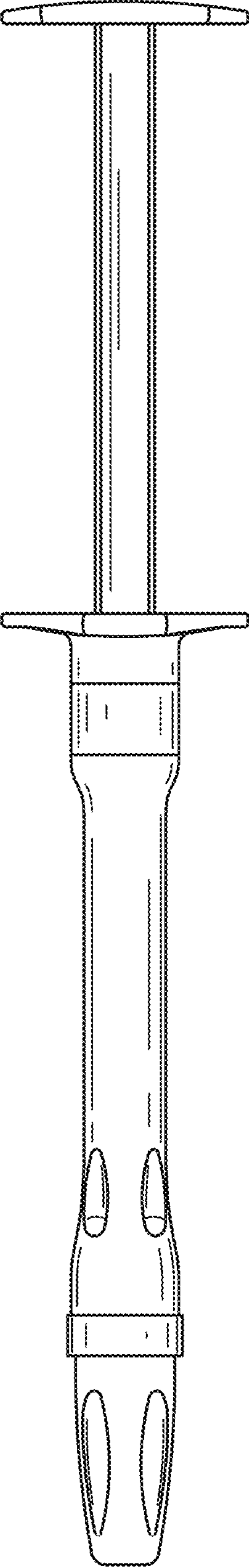


Fig. 8