



US00D681807S

(12) **United States Design Patent**  
**Niedbala et al.**

(10) **Patent No.:** **US D681,807 S**

(45) **Date of Patent:** **\*\* May 7, 2013**

(54) **DEVICES FOR DISPENSING A CRYOGENIC FLUID**

(75) Inventors: **R. Sam Niedbala**, Allentown, PA (US);  
**Lincoln C. Young**, Ithaca, NY (US);  
**Peng Zhou**, Newtown, PA (US);  
**Matthew Sommerfield**, Allentown, PA (US);  
**Jarrett Seng**, Breinigsville, PA (US)

(73) Assignee: **Cryoconcepts LP**, Bethlehem, PA (US)

(\*\*) Term: **14 Years**

(21) Appl. No.: **29/381,620**

(22) Filed: **Dec. 21, 2010**

(51) **LOC (9) Cl.** ..... **24-02**

(52) **U.S. Cl.**  
USPC ..... **D24/113**

(58) **Field of Classification Search** ..... D24/111-114,  
D24/133, 186, 104, 130, 127, 146; D9/682,  
D9/690, 691; 606/181, 185; 604/232, 187,  
604/158, 164.08, 192, 263, 163, 181, 184,  
604/198, 227, 19; 62/50.1

See application file for complete search history.

(56) **References Cited**

**U.S. PATENT DOCUMENTS**

D417,082	S	*	11/1999	Classen et al.	.....	D24/111
D435,905	S	*	1/2001	Bachman et al.	.....	D24/111
D509,585	S	*	9/2005	Kling et al.	.....	D24/111
7,370,759	B2	*	5/2008	Hommann	.....	604/192
D586,465	S	*	2/2009	Faulkner et al.	.....	D24/146

D586,916	S	*	2/2009	Faulkner et al.	.....	D24/146
D592,524	S	*	5/2009	Padain et al.	.....	D9/691
7,578,319	B2	*	8/2009	Behar et al.	.....	141/2
D612,051	S	*	3/2010	Ruf	.....	D24/146
D621,042	S	*	8/2010	Ruf	.....	D24/146
D626,222	S	*	10/2010	Studenec	.....	D24/133
D628,692	S	*	12/2010	Greenhalgh	.....	D24/133
D629,066	S	*	12/2010	Thompson	.....	D9/682

\* cited by examiner

*Primary Examiner* — David Muller

(74) *Attorney, Agent, or Firm* — J.A. Lindeman & Co., PLLC

(57) **CLAIM**

The ornamental design for a device for dispensing a cryogenic fluid, as shown and described.

**DESCRIPTION**

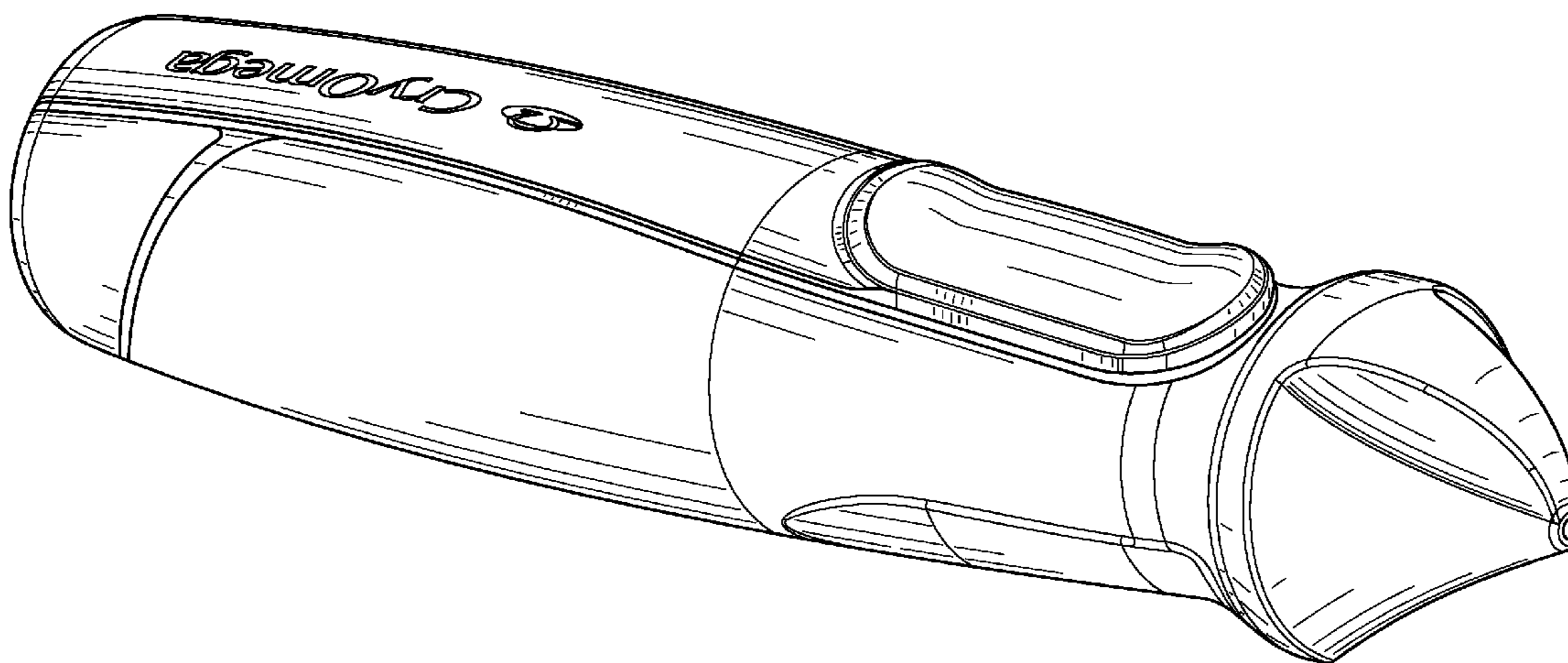
This design patent application is related to application Ser. No. 12/974,430, filed on Dec. 21, 2010, which is a continuation-in-part application of U.S. patent application Ser. No. 12/489,875, entitled Devices and Methods for Dispensing a Cryogenic Fluid, filed on Jun. 23, 2009. The entire contents of these related applications are incorporated herein by reference.

FIG. 1 is an isometric view of a top, front, and a right side of an exemplary embodiment of a device for dispensing a cryogenic fluid in accordance with our new design;

FIG. 2 is a top plan view of the device for dispensing a cryogenic fluid of FIG. 1; and,

FIG. 3 is a side elevational view of a right side of the device for dispensing a cryogenic fluid of FIG. 1.

**1 Claim, 2 Drawing Sheets**



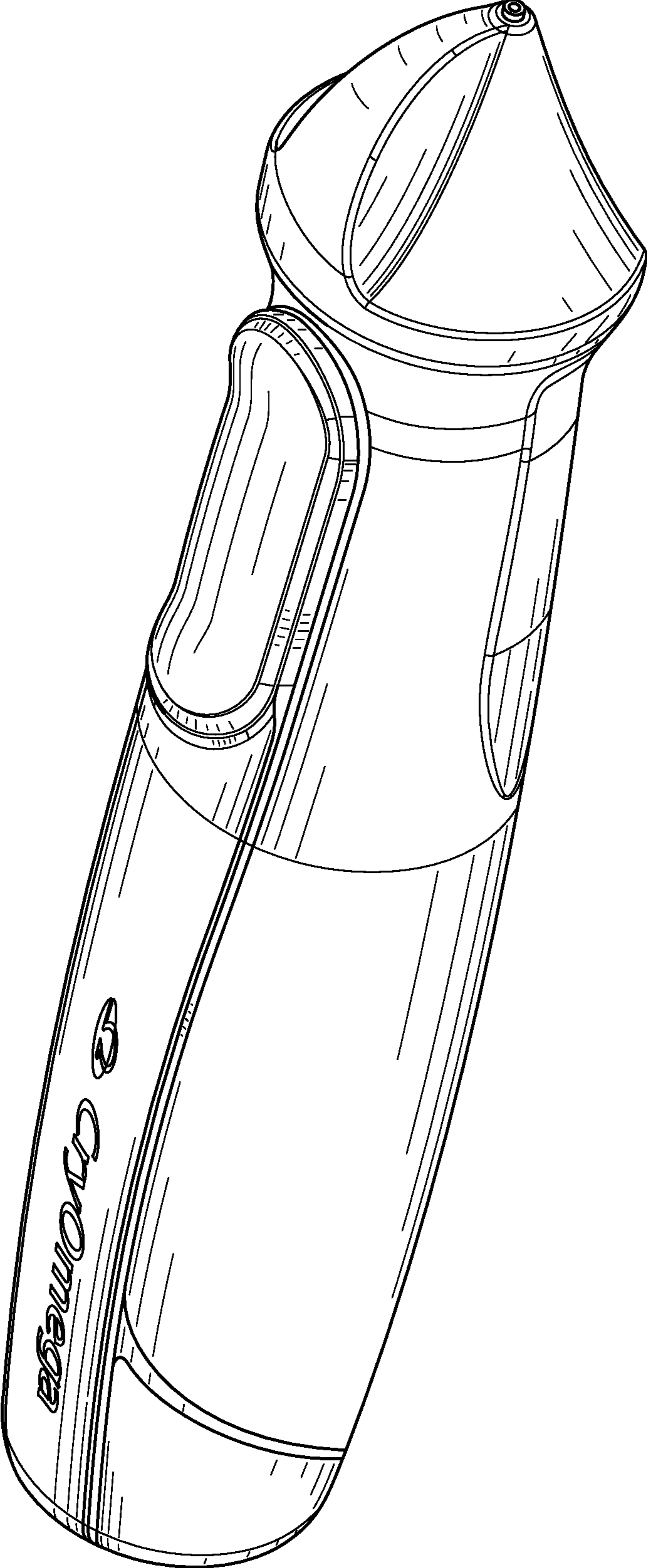


FIG. 1

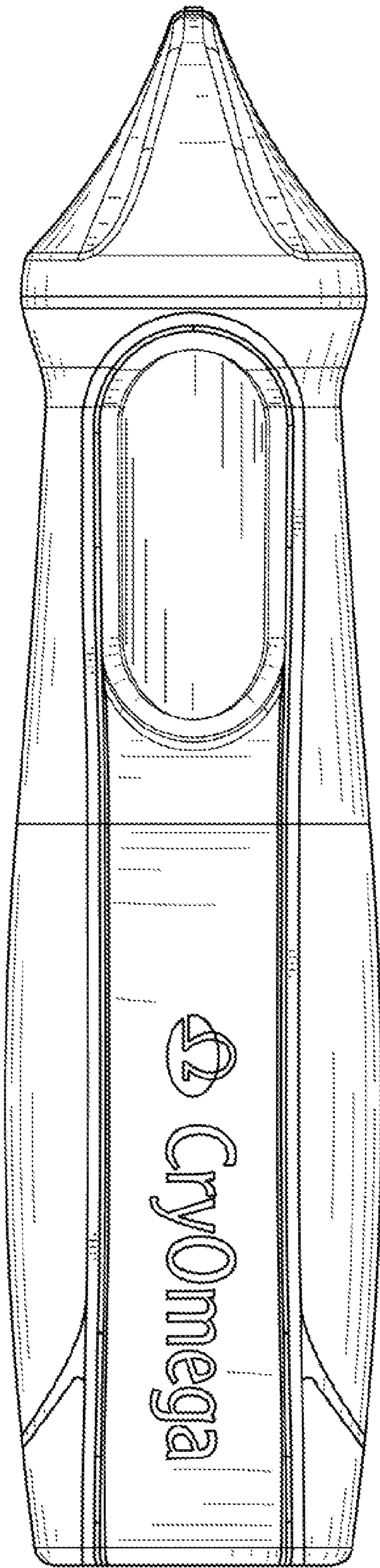


FIG. 2

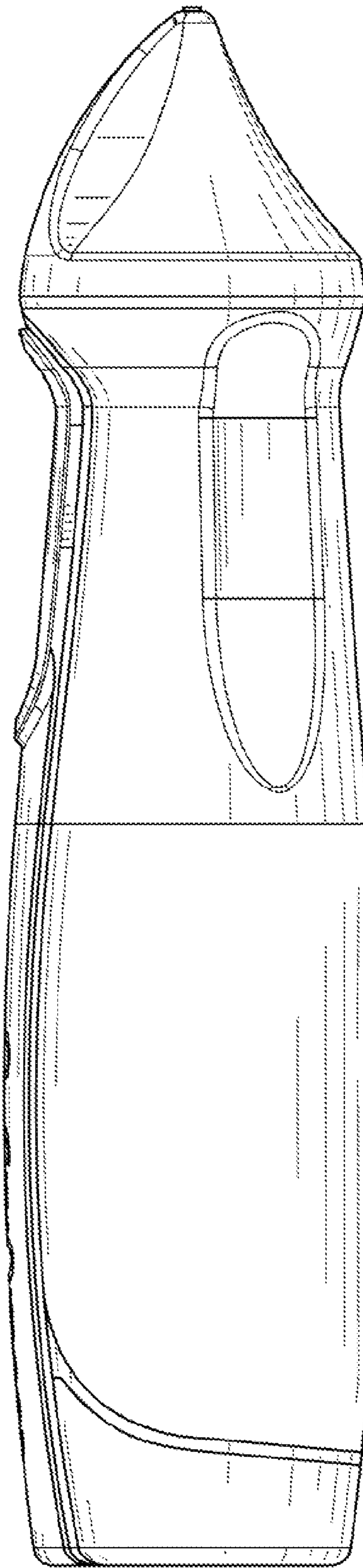


FIG. 3