



US00D681806S

(12) **United States Design Patent**
Kataoka et al.

(10) **Patent No.:** **US D681,806 S**
(45) **Date of Patent:** **** May 7, 2013**

(54) **INFUSION PUMP FOR PHARMACEUTICAL DRUGS**

(75) Inventors: **Yutaka Kataoka**, Lindome (SE); **Erik Andreén**, Göteborg (SE); **Martin Nilsson**, Hovas (SE)

(73) Assignee: **Astra Tech AB**, Mölndal (SE)

(**) Term: **14 Years**

(21) Appl. No.: **29/366,546**

(22) Filed: **Jul. 27, 2010**

(30) **Foreign Application Priority Data**

Feb. 2, 2010 (EM) 001664251

(51) **LOC (9) Cl.** **24-02**

(52) **U.S. Cl.**
USPC **D24/111**

(58) **Field of Classification Search** D24/111,
D24/108; D15/7, 9; 128/DIG. 1, DIG. 12;
604/30, 33, 35, 138, 125, 151-154

See application file for complete search history.

(56) **References Cited**

U.S. PATENT DOCUMENTS

D287,277	S	*	12/1986	Kosako et al.	D24/111
D294,733	S	*	3/1988	Peterson et al.	D24/111
D430,288	S	*	8/2000	Mason et al.	D24/111
D430,289	S	*	8/2000	Mason et al.	D24/111
6,305,908	B1	*	10/2001	Hermann et al.	417/234
D461,241	S	*	8/2002	Moberg et al.	D24/111
D461,891	S	*	8/2002	Moberg	D24/111
7,931,620	B2	*	4/2011	De Polo et al.	604/131

* cited by examiner

Primary Examiner — Wan Laymon

(74) *Attorney, Agent, or Firm* — Birch, Stewart, Kolasch & Birch, LLP

(57) **CLAIM**

The ornamental design for an infusion pump for pharmaceutical drugs, as shown and described.

DESCRIPTION

FIG. 1 is a perspective view of an infusion pump for pharmaceutical drugs showing our new design; FIG. 2 is a front elevational view thereof; FIG. 3 is a right side elevational view thereof; FIG. 4 is a left side elevational view thereof; FIG. 5 is a rear elevational view thereof; FIG. 6 is a top plan view thereof; FIG. 7 is a bottom plan view thereof; and, FIG. 8 is a bottom perspective thereof.

1 Claim, 7 Drawing Sheets

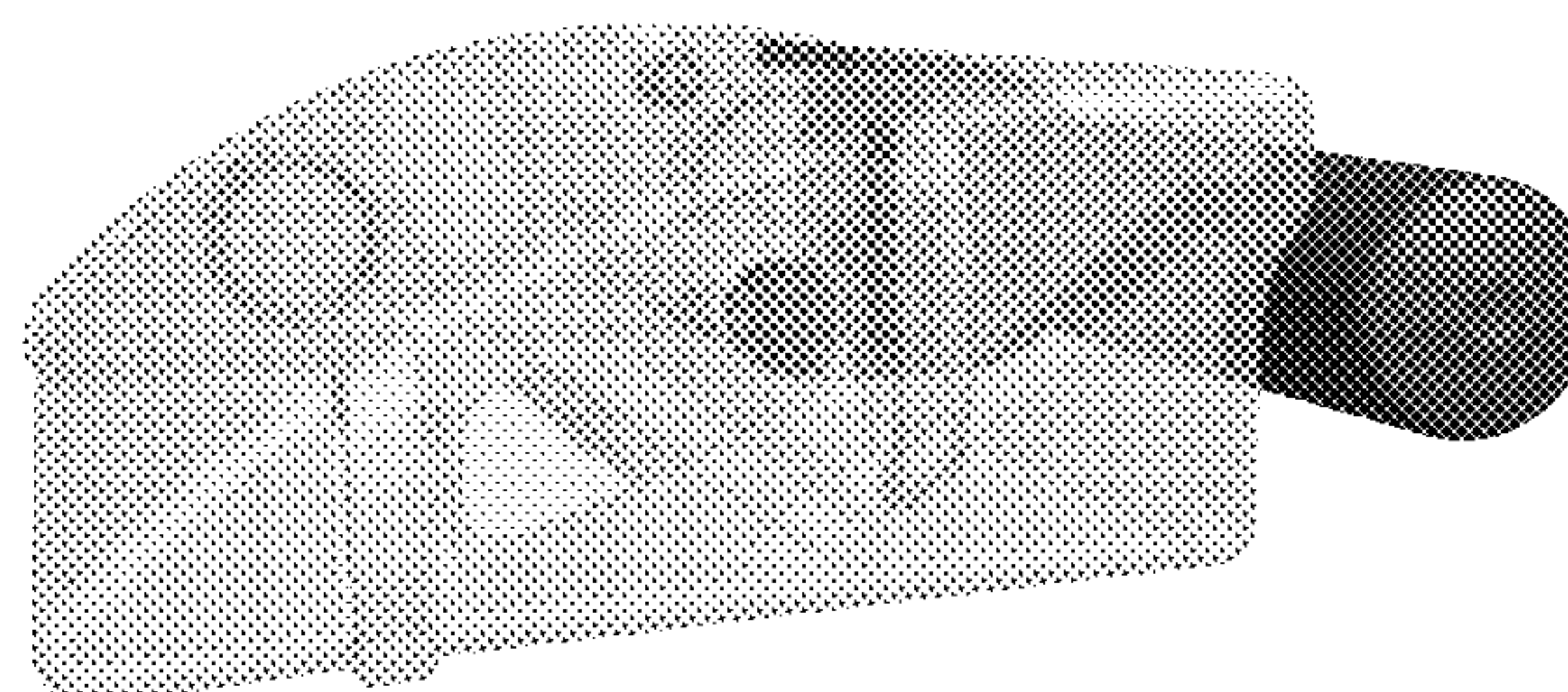
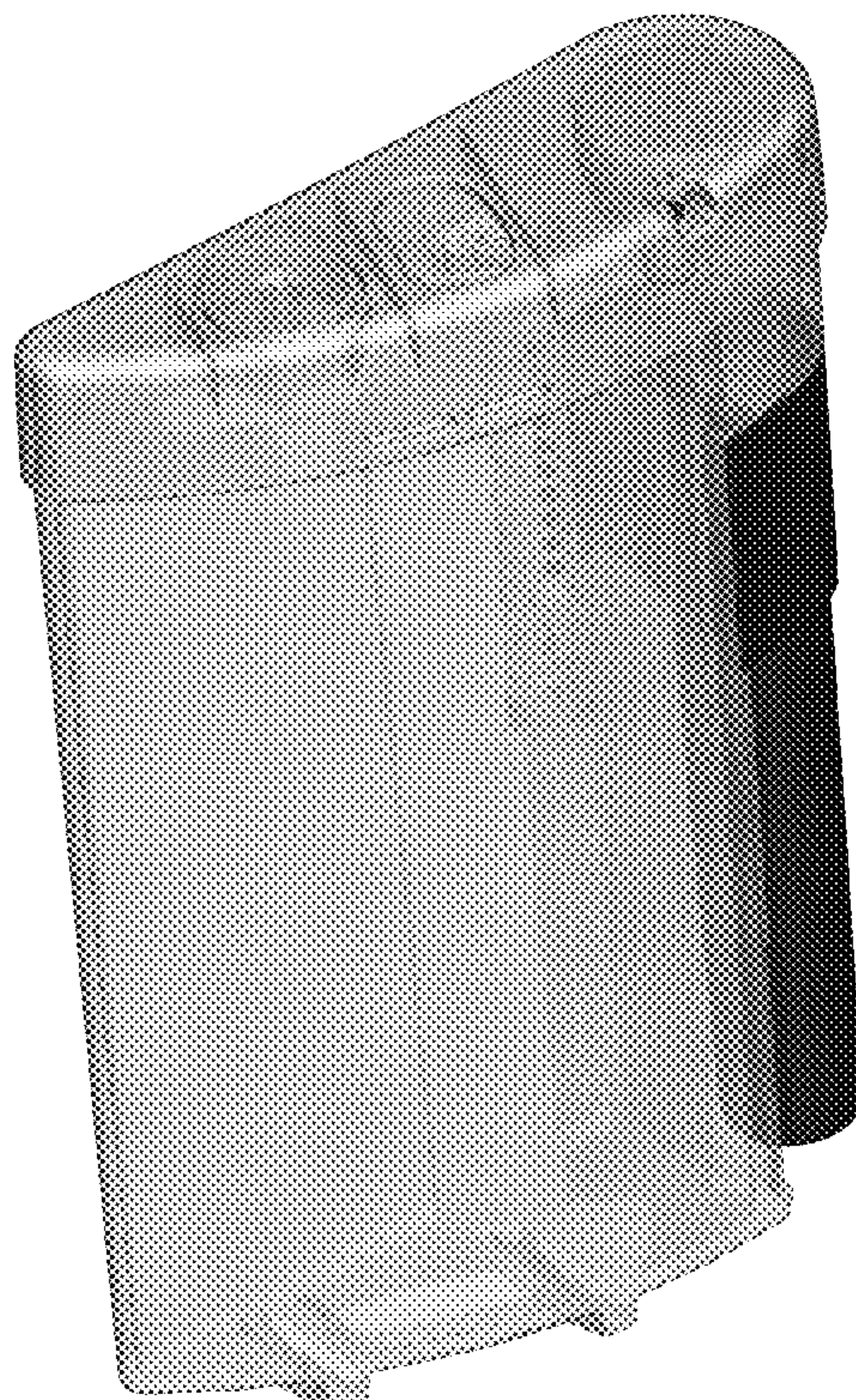




Figure 1



Figure 2

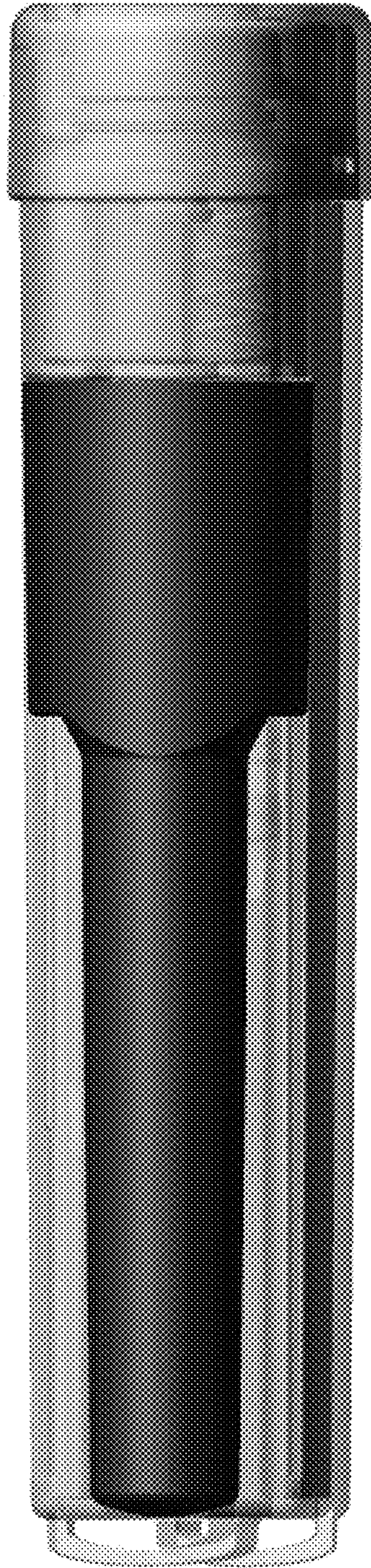


Figure 3

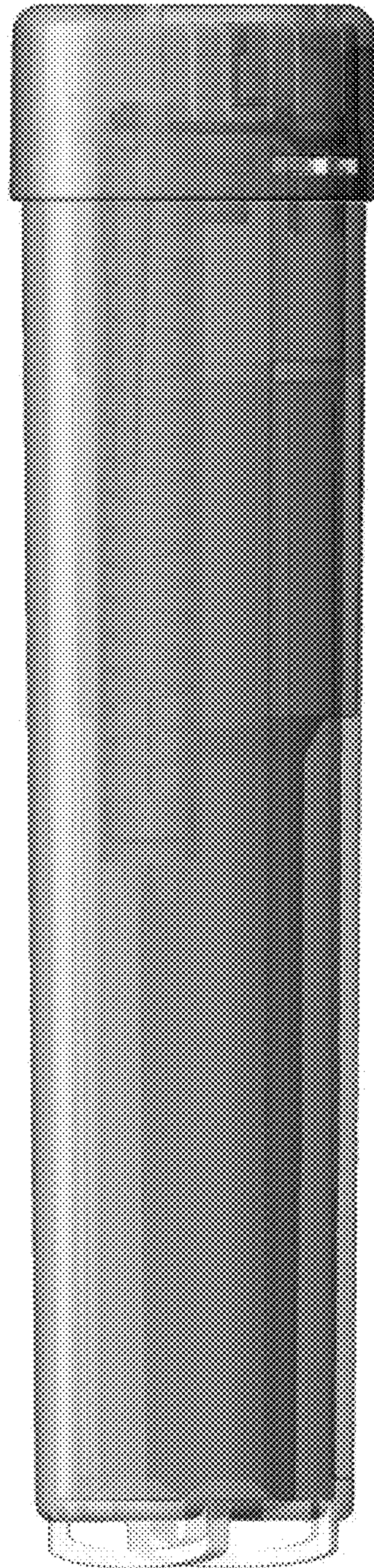


Figure 4

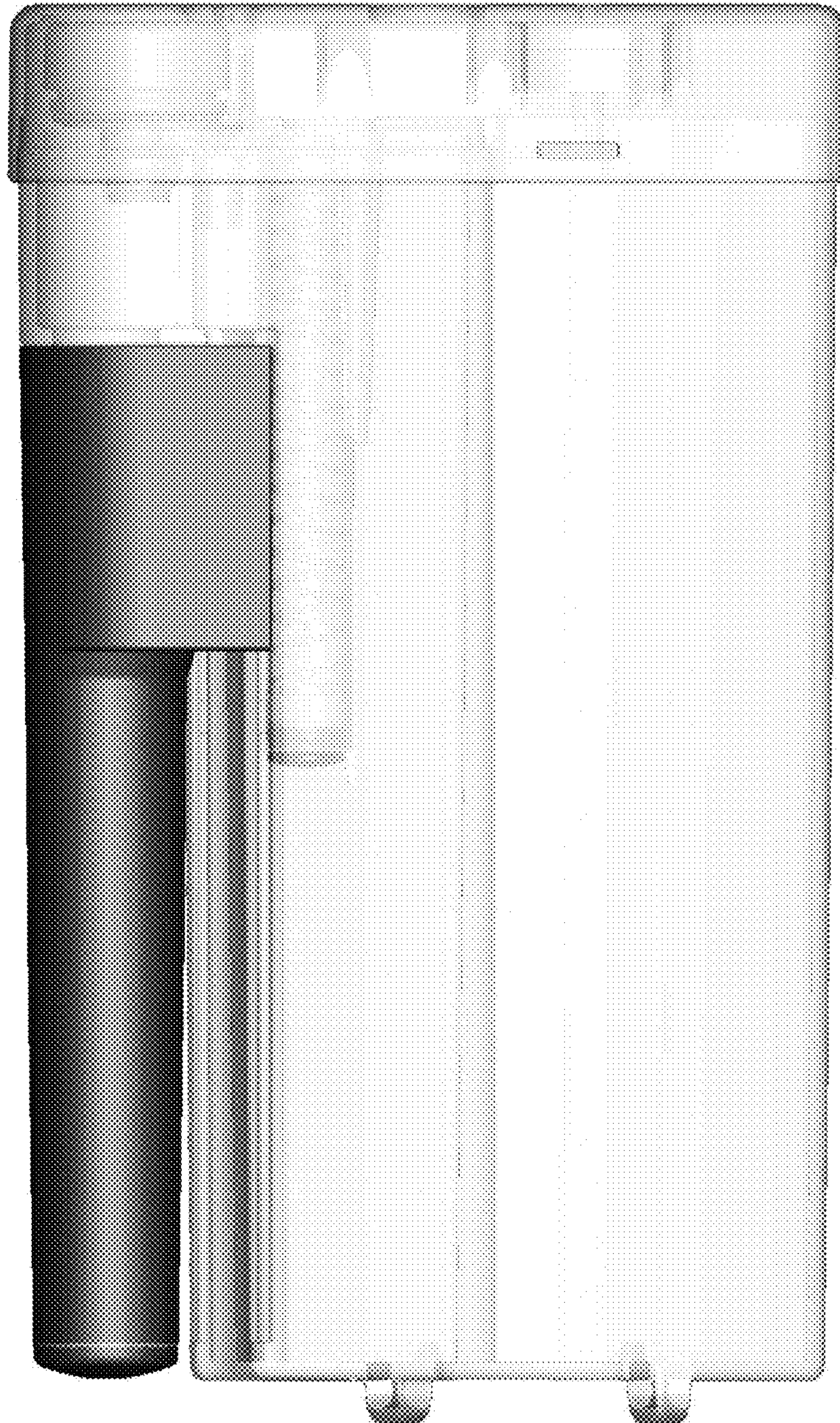


Figure 5

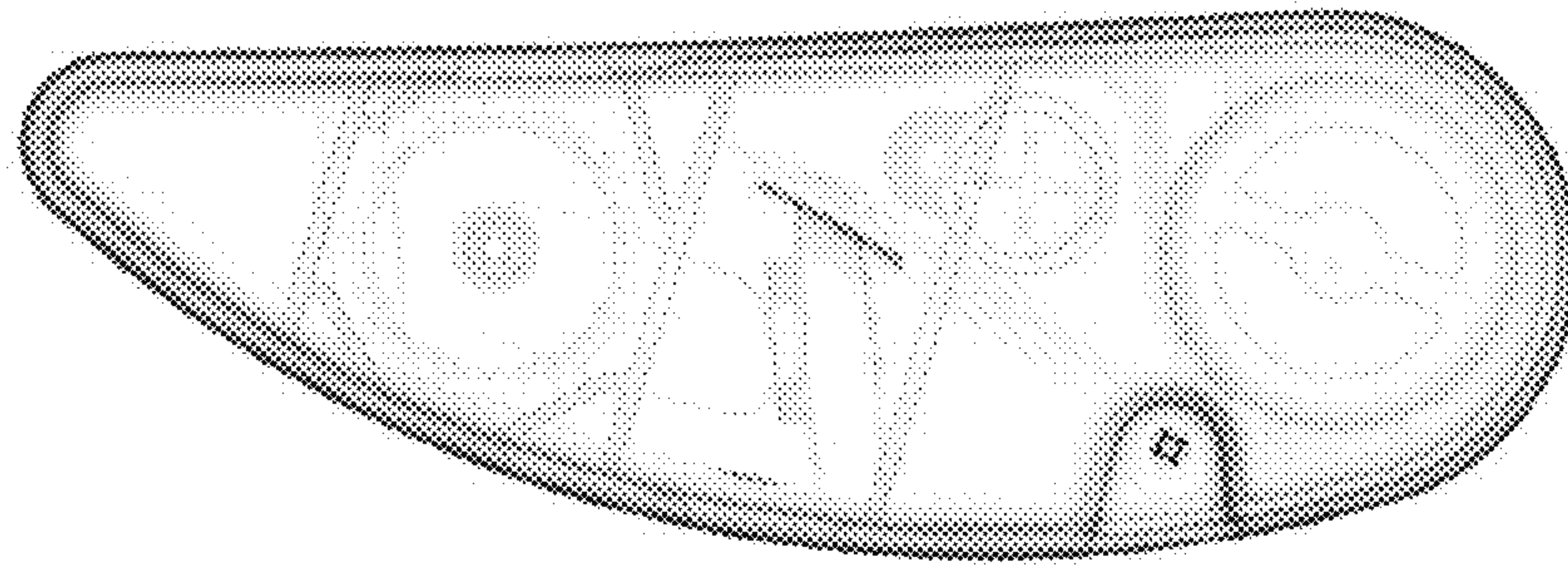


Figure 6

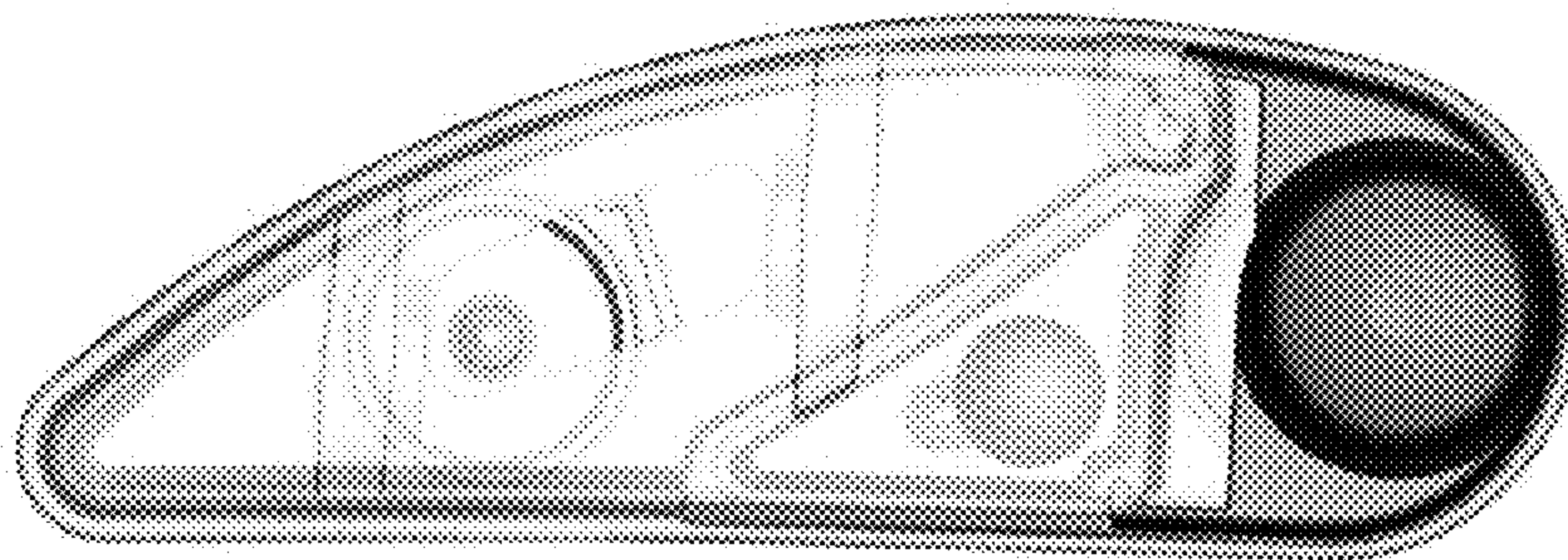


Figure 7

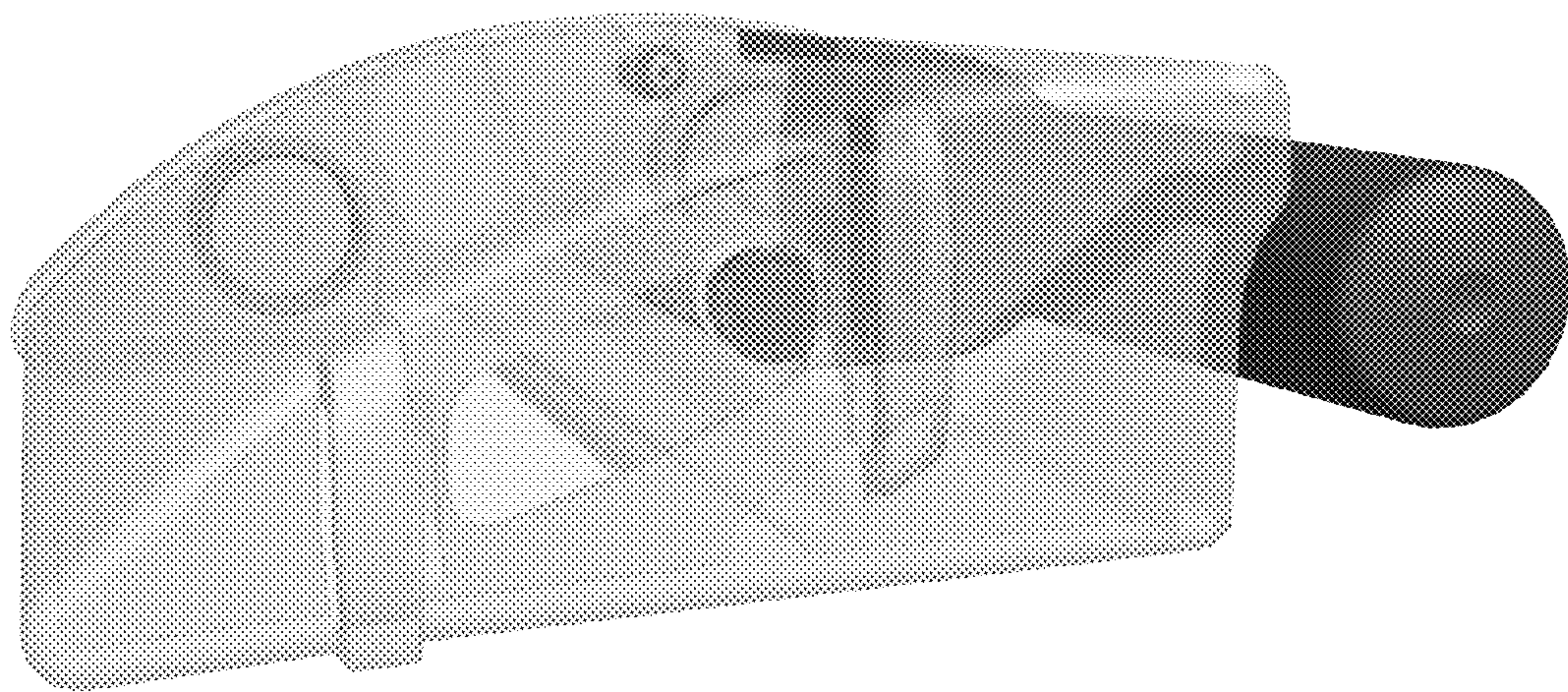


Figure 8