

US00D681805S

(12) **United States Design Patent**
Chu et al.

(10) **Patent No.:** **US D681,805 S**
(45) **Date of Patent:** **** May 7, 2013**

(54) **FOREHEAD SUPPORT FRAME COMPONENT FOR A PATIENT INTERFACE**

D486,226 S 2/2004 Guney et al.
D486,907 S 2/2004 Guney
D493,885 S 8/2004 Raje

(75) Inventors: **Vincent Chu**, Darlington (AU); **Joshua Adam Gudiksen**, Mortdale (AU); **Scott Alexander Howard**, Harbord (AU)

(Continued)

(73) Assignee: **ResMed Limited**, Bella Vista (AU)

FOREIGN PATENT DOCUMENTS

WO 2005/018523 3/2005
WO 2005/021075 3/2005
WO 2005/032634 4/2005

(**) Term: **14 Years**

OTHER PUBLICATIONS

(21) Appl. No.: **29/347,612**

Chu et al., Parent U.S. Appl. No. 29/311,149, filed Jan. 5, 2009.

(22) Filed: **Mar. 12, 2010**

(Continued)

Related U.S. Application Data

Primary Examiner — Rashida Johnson

(63) Continuation of application No. 29/311,149, filed on Jan. 5, 2009, now Pat. No. Des. 614,287, which is a continuation of application No. 29/261,578, filed on Jun. 16, 2006, now Pat. No. Des. 587,801.

(74) *Attorney, Agent, or Firm* — Nixon & Vanderhye P.C.

(51) **LOC (9) Cl.** **29-02**

(57) **CLAIM**

(52) **U.S. Cl.**

The ornamental design for a forehead support frame component for a patient interface, as shown and described.

USPC **D24/110.1**

(58) **Field of Classification Search** D24/110.1, D24/110.4, 110.5, 164; 128/205.25, 206.27, 128/207.11, 206.12, 206.21

See application file for complete search history.

DESCRIPTION

(56) **References Cited**

FIG. 1 is a perspective view of a forehead support frame component for a patient interface of our design; FIG. 2 is a front view thereof; FIG. 3 is a rear view thereof; FIG. 4 is a top view thereof; FIG. 5 is a bottom view thereof; FIG. 6 is a right side view thereof, with the left side view being a mirror image thereof; and, FIG. 7 is a reverse perspective view thereof.

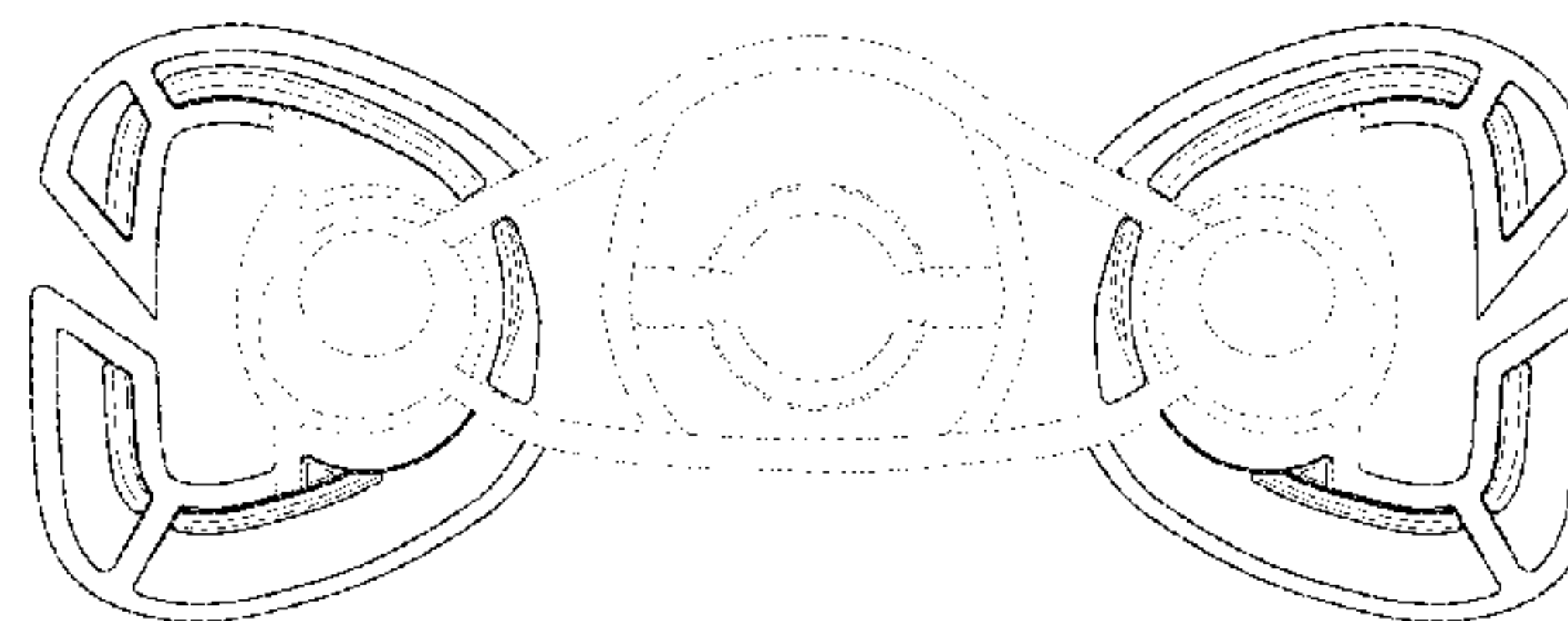
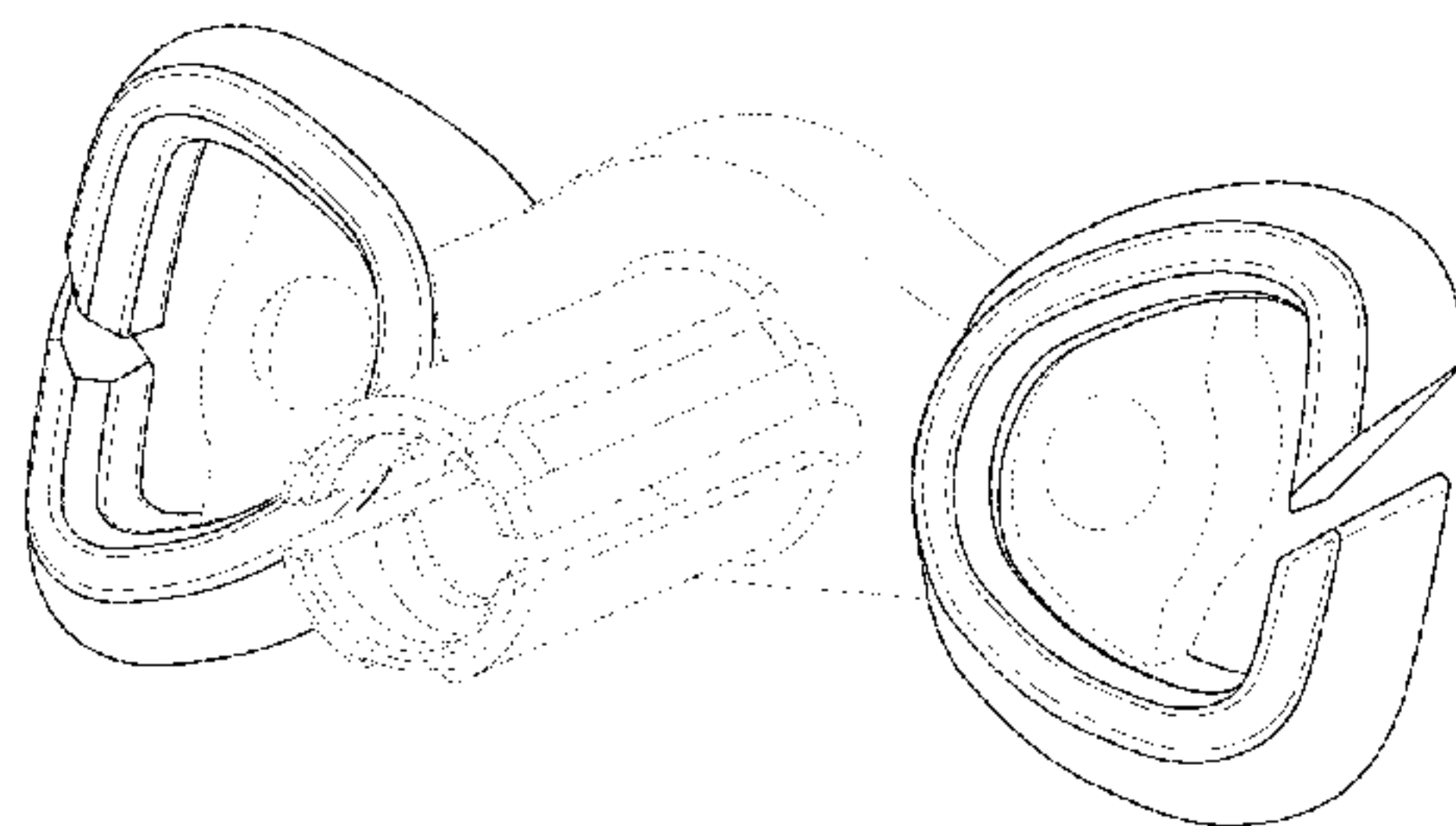
U.S. PATENT DOCUMENTS

3,850,168 A * 11/1974 Ferguson et al. 128/206.27
D428,139 S 7/2000 Smart
D430,663 S 9/2000 Smart
D443,355 S * 6/2001 Gunaratnam et al. D24/110.4
6,374,826 B1 4/2002 Gunaratnam
D459,800 S 7/2002 Smart
D464,427 S 10/2002 Smart
D464,728 S 10/2002 Paul
D468,421 S 1/2003 Smart
6,581,594 B1 6/2003 Drew

The broken lines showing environment or structure of the forehead support frame component for a patient interface are for illustrative purposes only and form no part of the claimed design.

The dotted lines in FIGS. 5 and 7 represent the border between claimed and non-claimed subject matter and form no part of the claimed design.

1 Claim, 3 Drawing Sheets



US D681,805 S

Page 2

U.S. PATENT DOCUMENTS

D502,260 S 2/2005 Lang et al.
6,860,269 B2 3/2005 Kwok et al.
D519,207 S 4/2006 Raje et al.
D534,274 S 12/2006 Smart
D549,322 S 8/2007 Stallard et al.
D558,332 S * 12/2007 Ng et al. D24/110.1
D558,334 S 12/2007 Stallard et al.
D578,640 S * 10/2008 Ng et al. D24/110.1
D586,906 S 2/2009 Stallard et al.
D586,908 S 2/2009 Stallard et al.
D587,801 S 3/2009 Chu et al.
D588,498 S 3/2009 Cicione
D597,661 S * 8/2009 Reid et al. D24/110.1
D612,932 S * 3/2010 Davidson et al. D24/110.1
D614,287 S * 4/2010 Chu et al. D24/110.1

D665,494 S * 8/2012 Stallard et al. D24/110.1
2003/0005931 A1 1/2003 Jaffre
2003/0034034 A1* 2/2003 Kwok et al. 128/206.21
2004/0045551 A1 3/2004 Eaton et al.
2004/0118406 A1 6/2004 Lithgow et al.
2005/0172969 A1 8/2005 Ging
2006/0231103 A1 10/2006 Matula
2008/0066759 A1* 3/2008 Howard et al. 128/206.21
2008/0314390 A1* 12/2008 Kwok et al. 128/207.11
2012/0204876 A1* 8/2012 Matula, Jr. 128/205.25

OTHER PUBLICATIONS

Stallard et al., U.S. Appl. No. 29/268,823, filed Nov. 14, 2006.

* cited by examiner

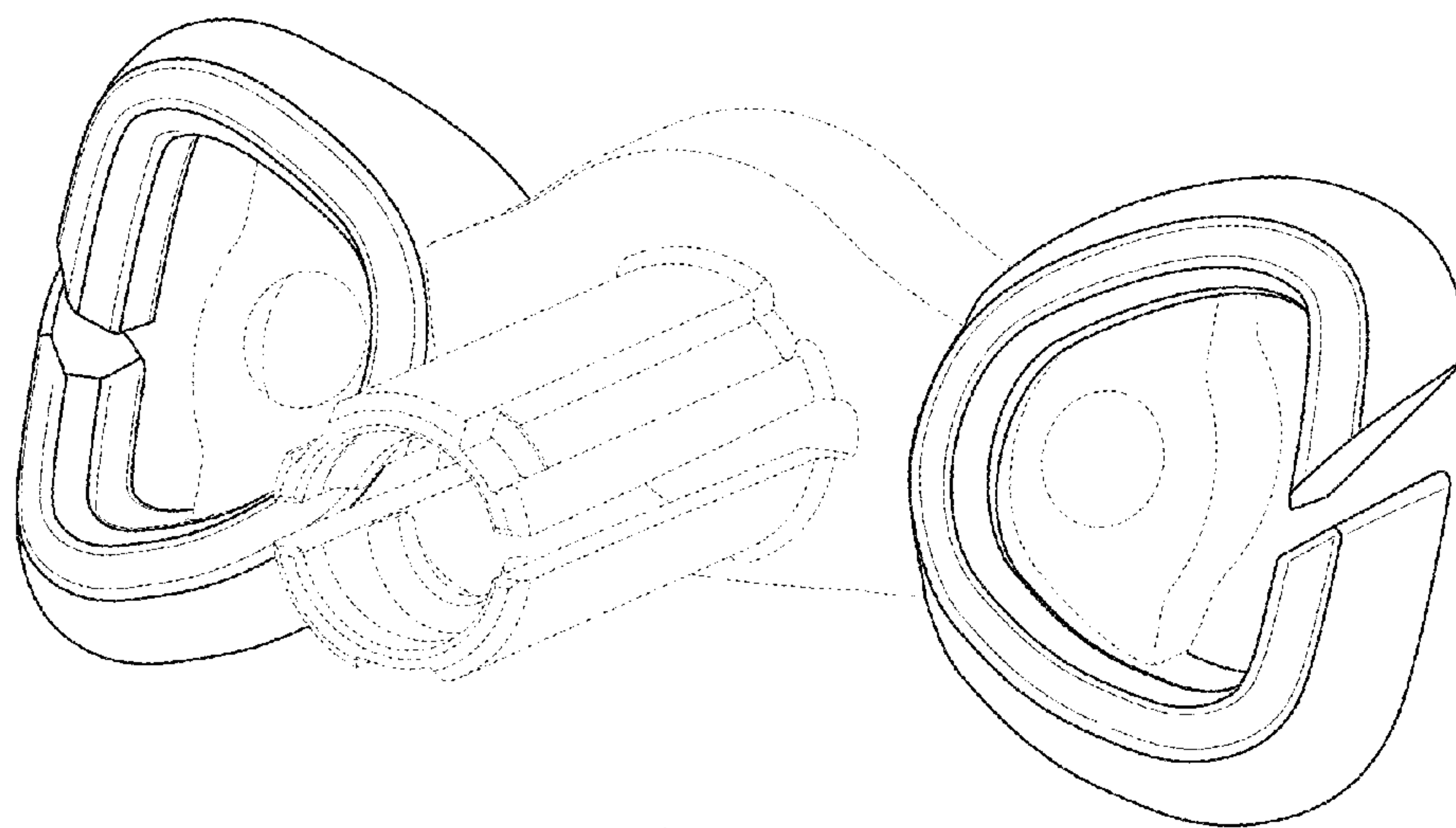


Fig. 1

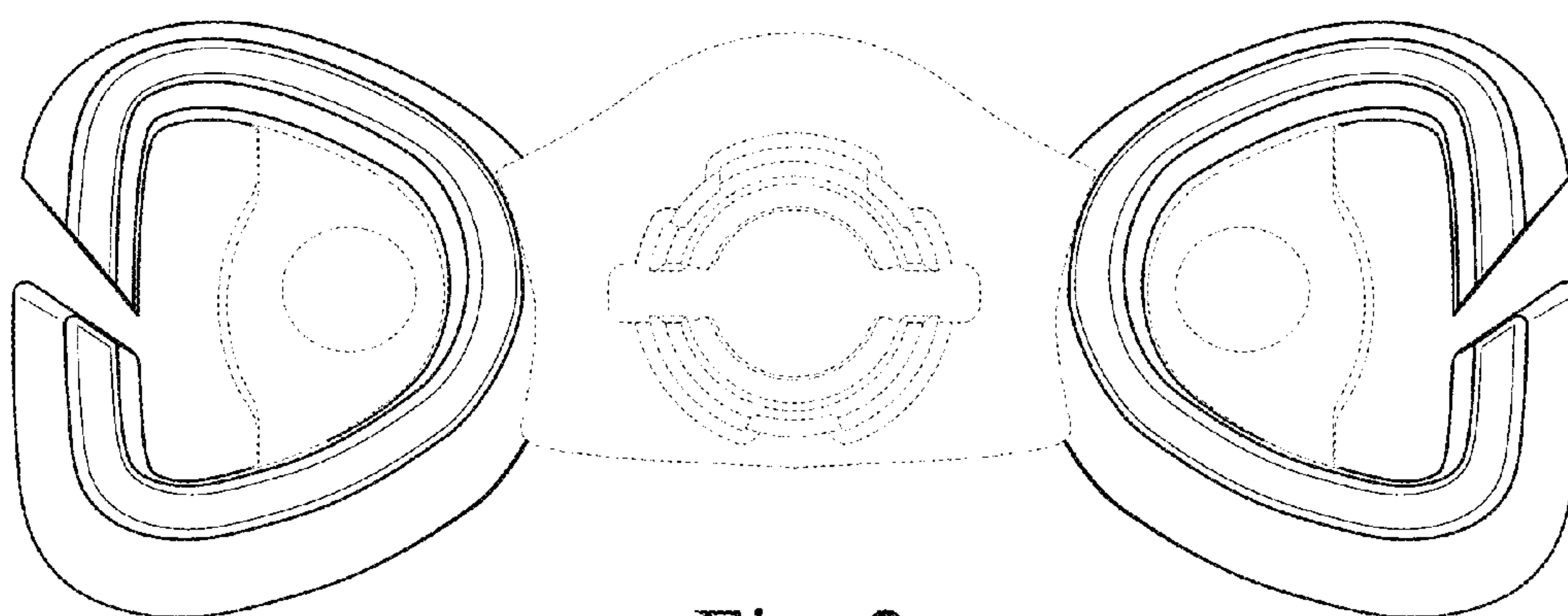


Fig. 2

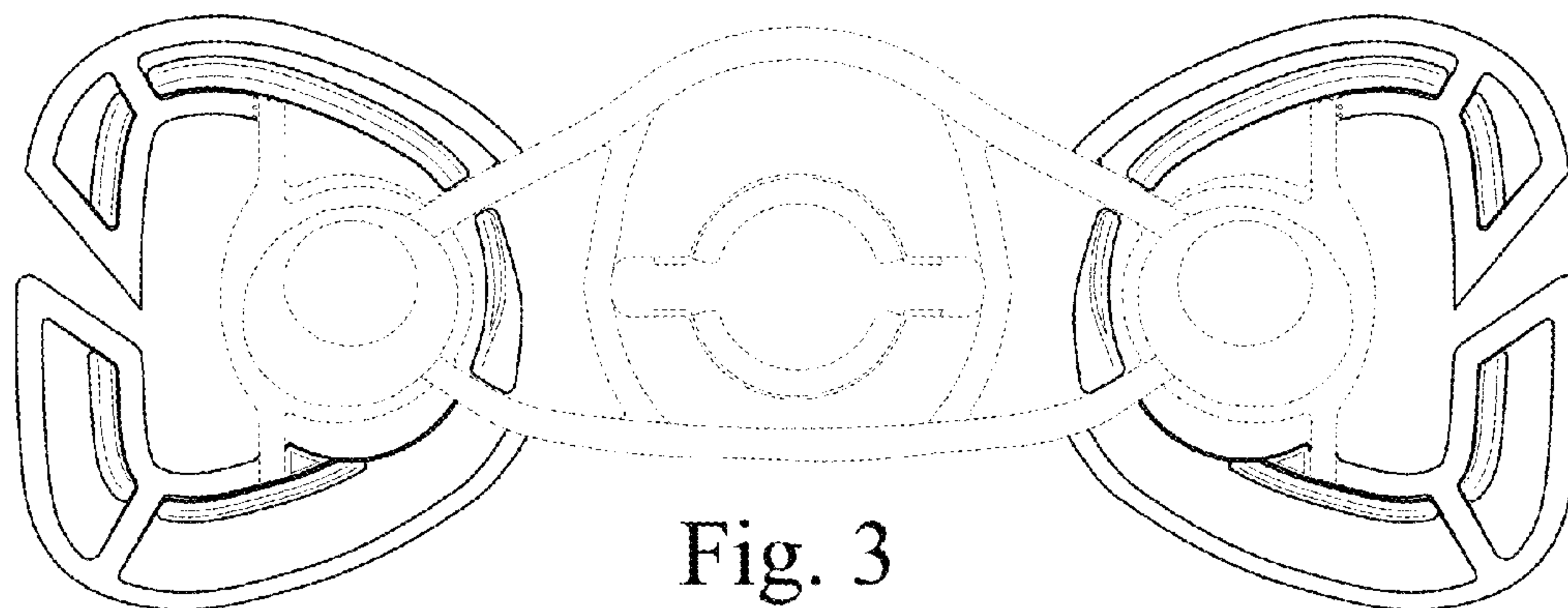


Fig. 3

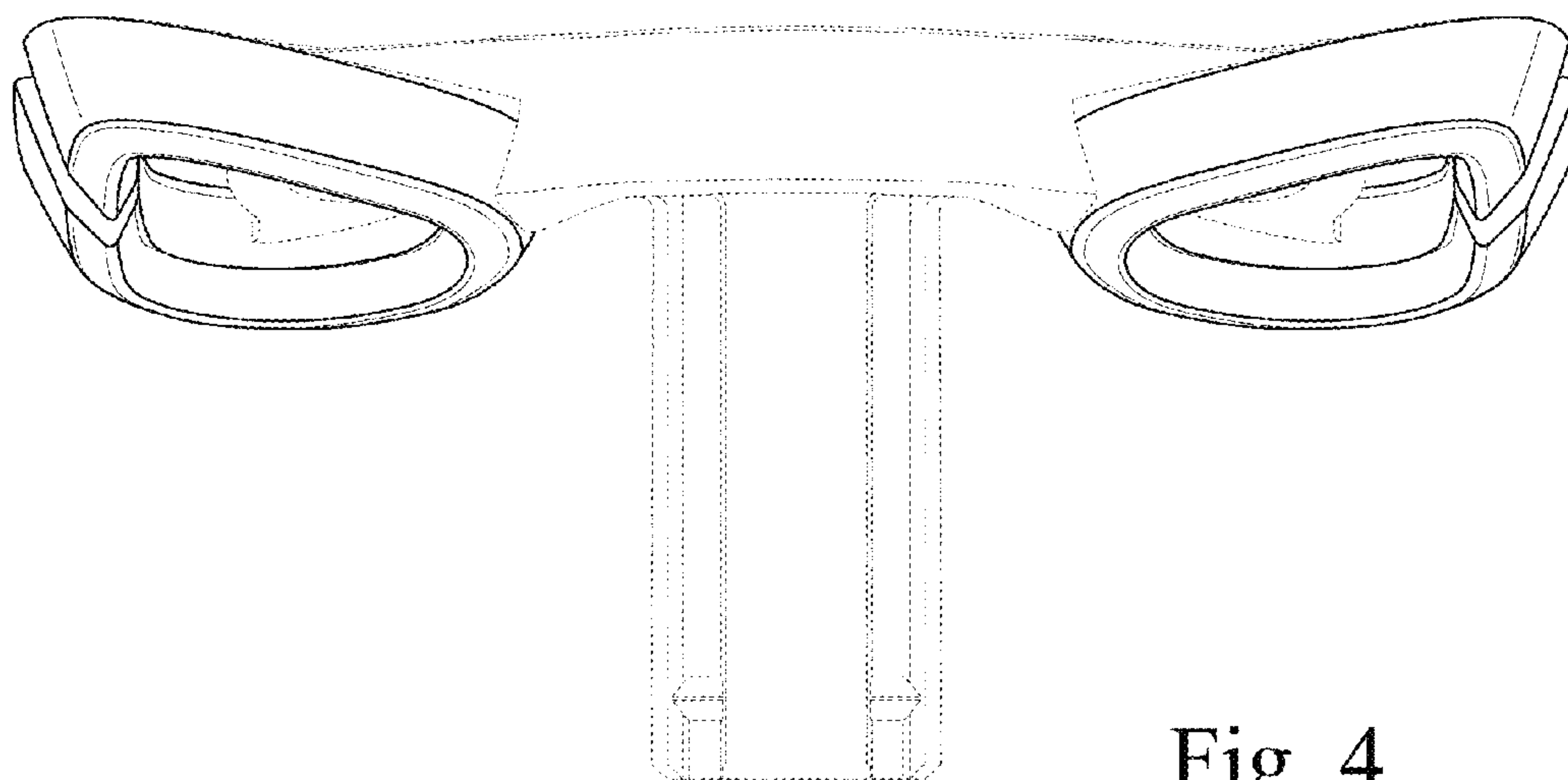


Fig. 4

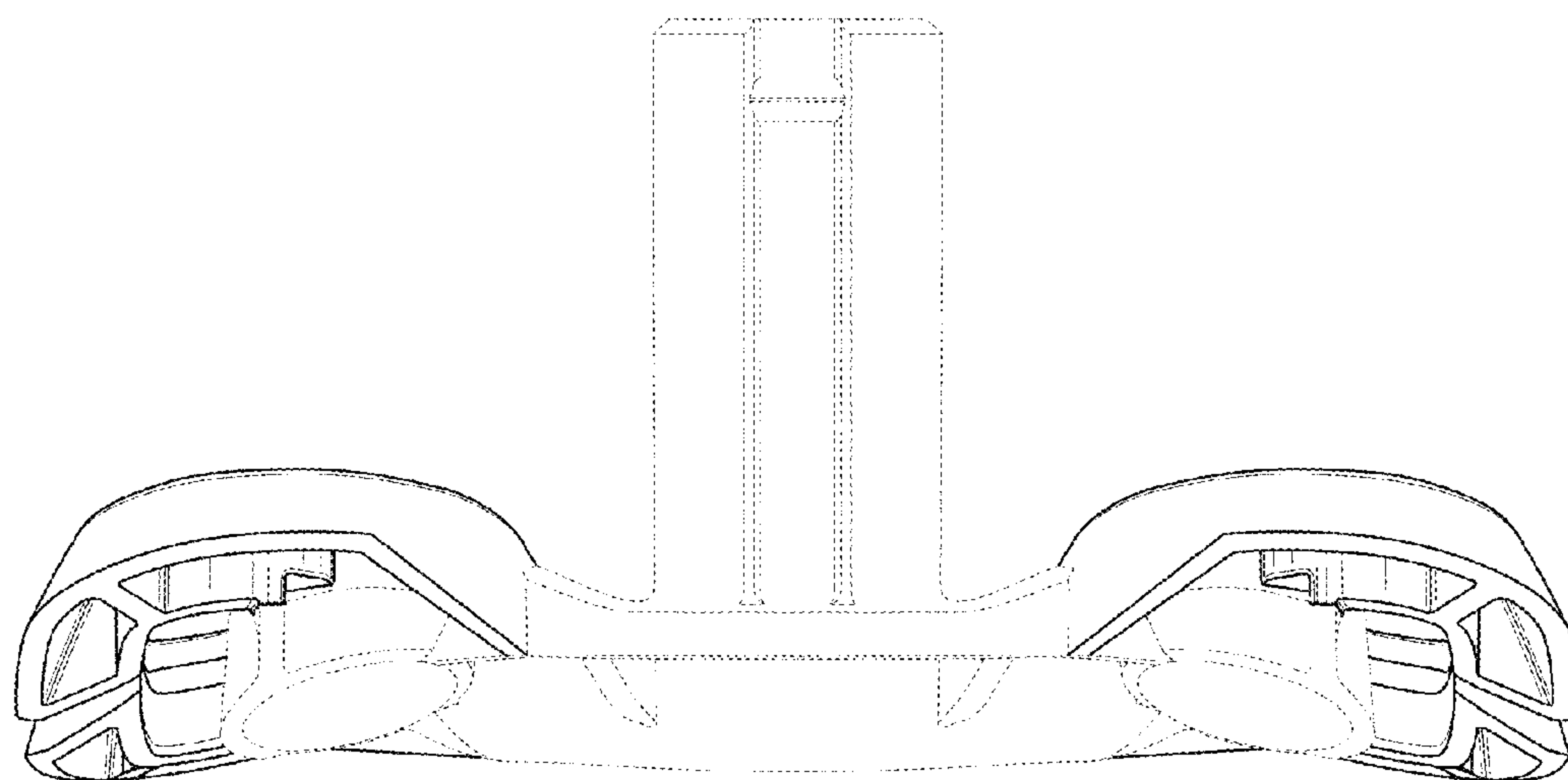


Fig. 5

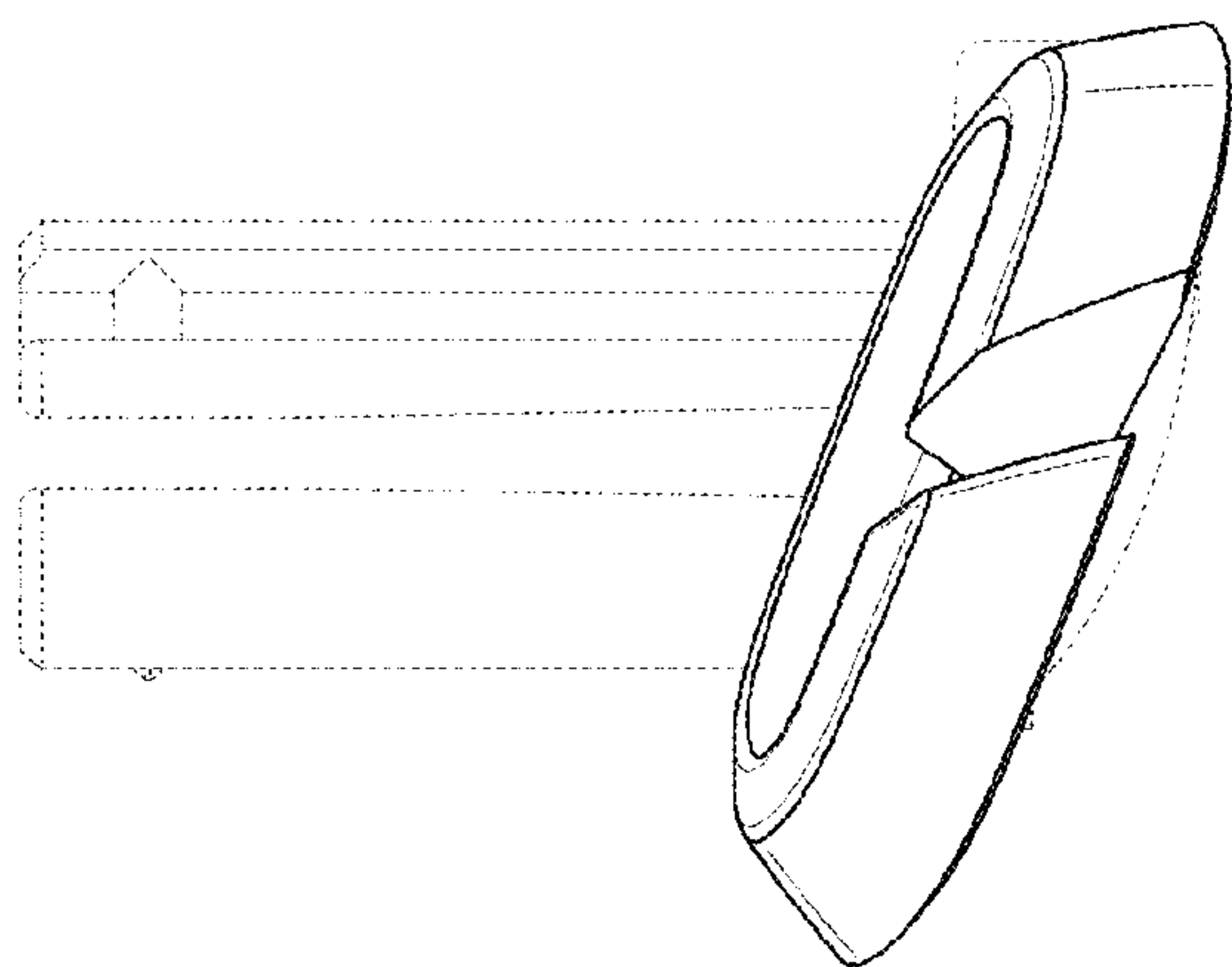


Fig. 6

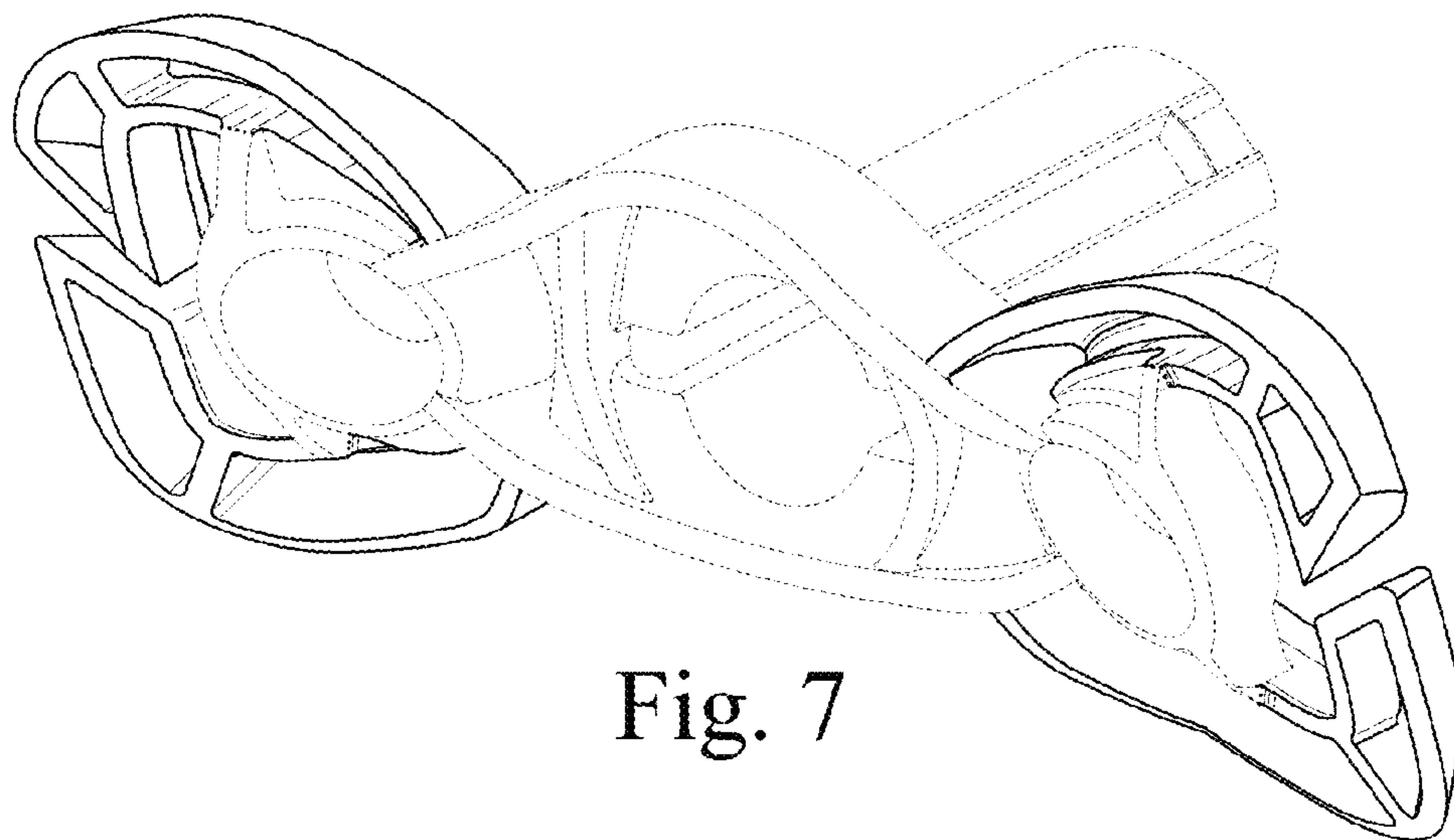


Fig. 7