



US00D681804S

(12) **United States Design Patent**
Sheehy

(10) **Patent No.:** **US D681,804 S**

(45) **Date of Patent:** **** *May 7, 2013**

(54) **INHALER**

(75) Inventor: **Robert Sheehy**, North Attleborough,
MA (US)

(73) Assignee: **IVAX International BV**, Utrecht (NL)

(*) Notice: This patent is subject to a terminal disclaimer.

(**) Term: **14 Years**

(21) Appl. No.: **29/362,175**

(22) Filed: **May 20, 2010**

(30) **Foreign Application Priority Data**

Nov. 24, 2009 (EM) 001179816-0001

(51) **LOC (9) Cl.** **29-02**

(52) **U.S. Cl.**
USPC **D24/110**

(58) **Field of Classification Search** D24/110,
D24/110.5, 110.4; 128/97.1, 200.12, 200.13,
128/200.4, 200.17, 200.2, 200.14, 200.15,
128/200.16, 200.18, 200.19, 200.21, 200.22,
128/200.23

See application file for complete search history.

(56) **References Cited**

U.S. PATENT DOCUMENTS

D311,443	S	10/1990	Long	
5,809,997	A *	9/1998	Wolf	128/200.23
5,855,307	A	1/1999	Biddick	
6,116,234	A *	9/2000	Genova et al.	128/200.23
D433,502	S	11/2000	Rand	
6,164,275	A	12/2000	Van Iderstine	
6,202,642	B1 *	3/2001	McKinnon et al.	128/200.23
6,234,168	B1 *	5/2001	Bruna	128/203.12

(Continued)

FOREIGN PATENT DOCUMENTS

DE	000873914-0001	*	4/2008
NL	001178859-0001	*	11/2009
NL	001213938-0001	*	5/2012

OTHER PUBLICATIONS

Pfizer, BI Inhaler May Raise Risk of Death, Study Says [on-line] Fox News.com newsletter, posted on Jun. 14, 2011, [retrieved from the internet]. <URL: www.foxnews.com/health/2011/06/15/pfizer-bi-inhaler-may-raise-risk-death-study-says>.*

(Continued)

Primary Examiner — Ian Simmons

Assistant Examiner — Eleni H Aldridge

(74) *Attorney, Agent, or Firm* — Christensen O'Connor Johnson Kindness PLLC

(57) **CLAIM**

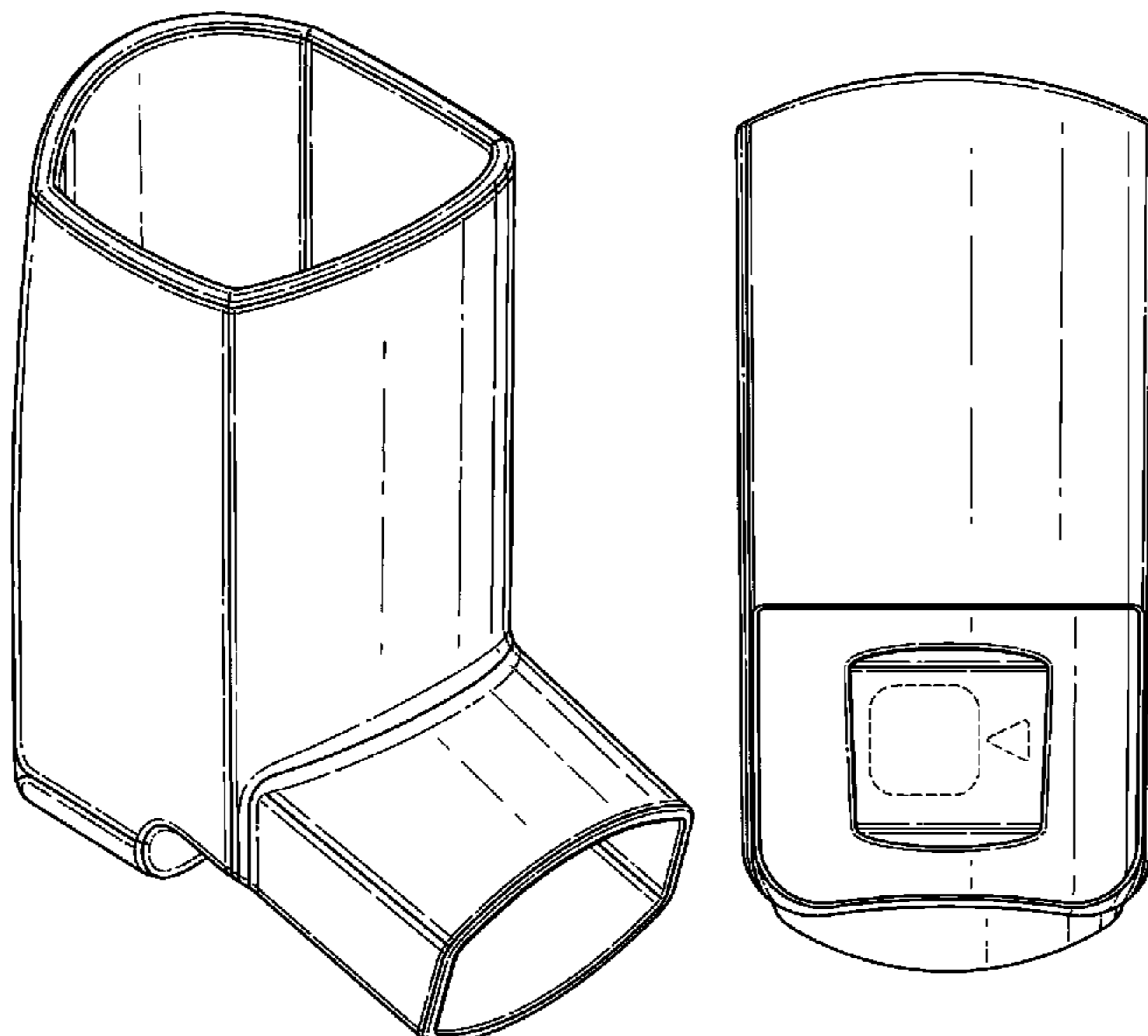
The ornamental design for an inhaler, as shown and described.

DESCRIPTION

FIG. 1 is an isometric view of an inhaler constructed in accordance with aspects of the present disclosure; FIG. 2 is a first side planar view of the inhaler of FIG. 1; FIG. 3 is a first end planar view of the inhaler of FIG. 1; FIG. 4 is a second side planar view of the inhaler of FIG. 1; FIG. 5 is a second end planar view of the inhaler of FIG. 1; FIG. 6 is a bottom planar view of the inhaler of FIG. 1; and, FIG. 7 is a top planar view of the inhaler of FIG. 1.

The broken lines immediately adjacent the shaded areas represent the bounds of the claimed design while all other broken lines are directed to environment and are for illustrative purposes only; the broken lines form no part of the claimed design.

1 Claim, 7 Drawing Sheets



U.S. PATENT DOCUMENTS

D461,239	S	8/2002	Cassidy	
D475,133	S	5/2003	McLuckie	
6,752,145	B1	6/2004	Bonney	
6,805,116	B2	10/2004	Hodson	
D529,605	S	10/2006	Huxham	
D556,896	S	12/2007	Logan	
D571,001	S	6/2008	Warby	
D610,249	S	2/2010	Robinson	
D629,504	S *	12/2010	Zuyderhoudt D24/110
D629,507	S *	12/2010	Zuyderhoudt D24/110.5
D629,508	S *	12/2010	Zuyderhoudt D24/110.5
D629,889	S *	12/2010	Zuyderhoudt D24/110.5
D660,411	S *	5/2012	Zuyderhoudt D24/110
8,215,299	B2 *	7/2012	Wu 128/200.23
2002/0189611	A1 *	12/2002	Greenwood et al. 128/200.23
2005/0005930	A1 *	1/2005	Rubel 128/200.23
2008/0105253	A1 *	5/2008	Pearson et al. 128/200.14

OTHER PUBLICATIONS

How Do I Use My Inhaler? [on-line]. Senior.com, Its Your Internet Community Newsletter, in Asthma section, posted on Aug. 14, 2011 [retrieved from the internet] <URL: www.senior.com/health/asthma/how-do-i-use-my-inhaler>.*

Ozone Friendly Inhalers Are Not Friendly to Asthmatics [on-line]. African American Environmentalist Association Newsletter, posted on May 12, 2006 [retrieved from the internet]. <URL: aaenvironment.blogspot.com/2006/05/ozone-friendly-inhalers-are-not.html>.*

The Immune System [on-line]. Physiology Blog, posted on May 14, 2010. retrieved from the internet: <URL: lillysphysiologyblog.blogspot.com>.*

* cited by examiner

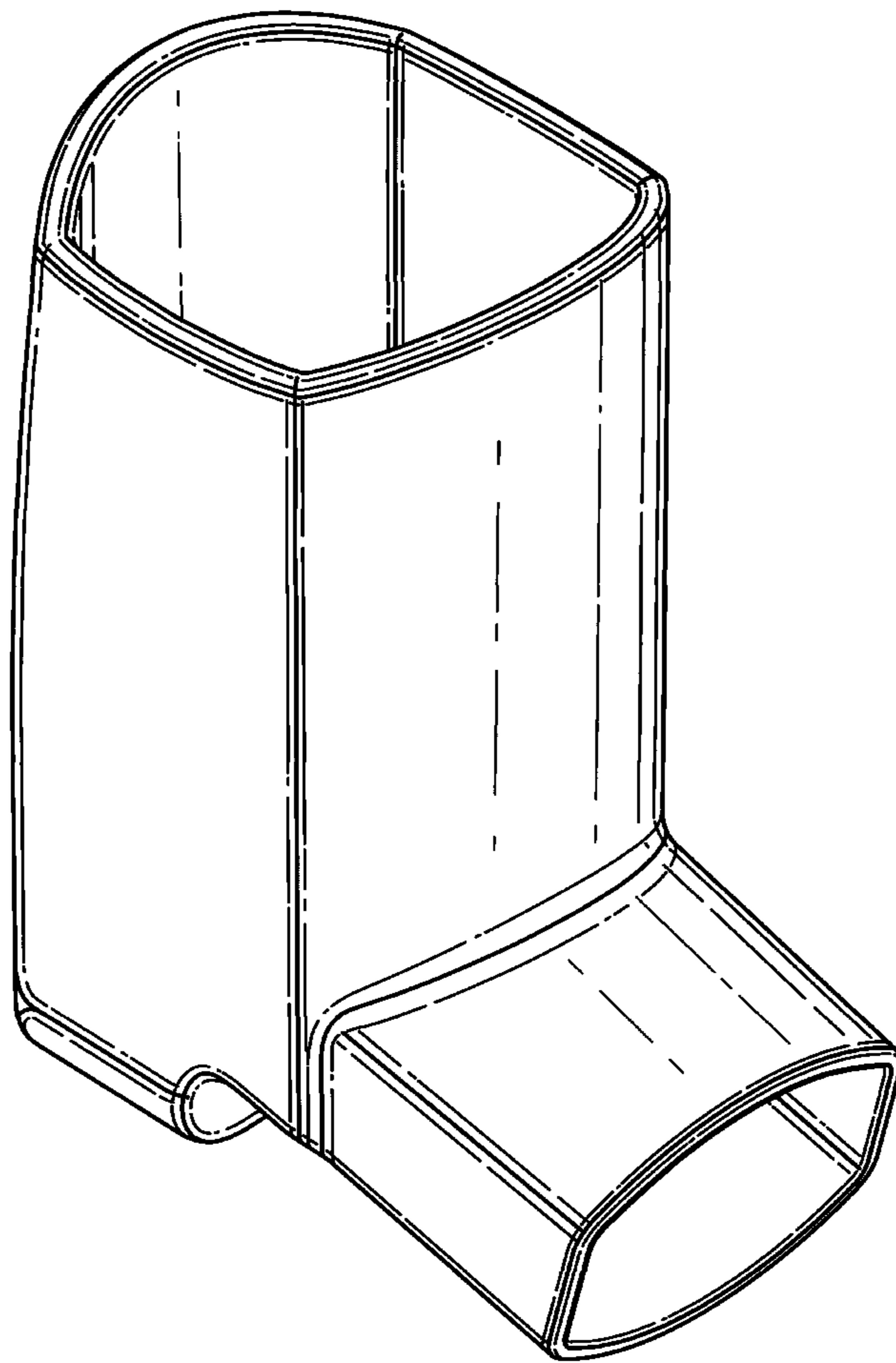


Fig. 1.

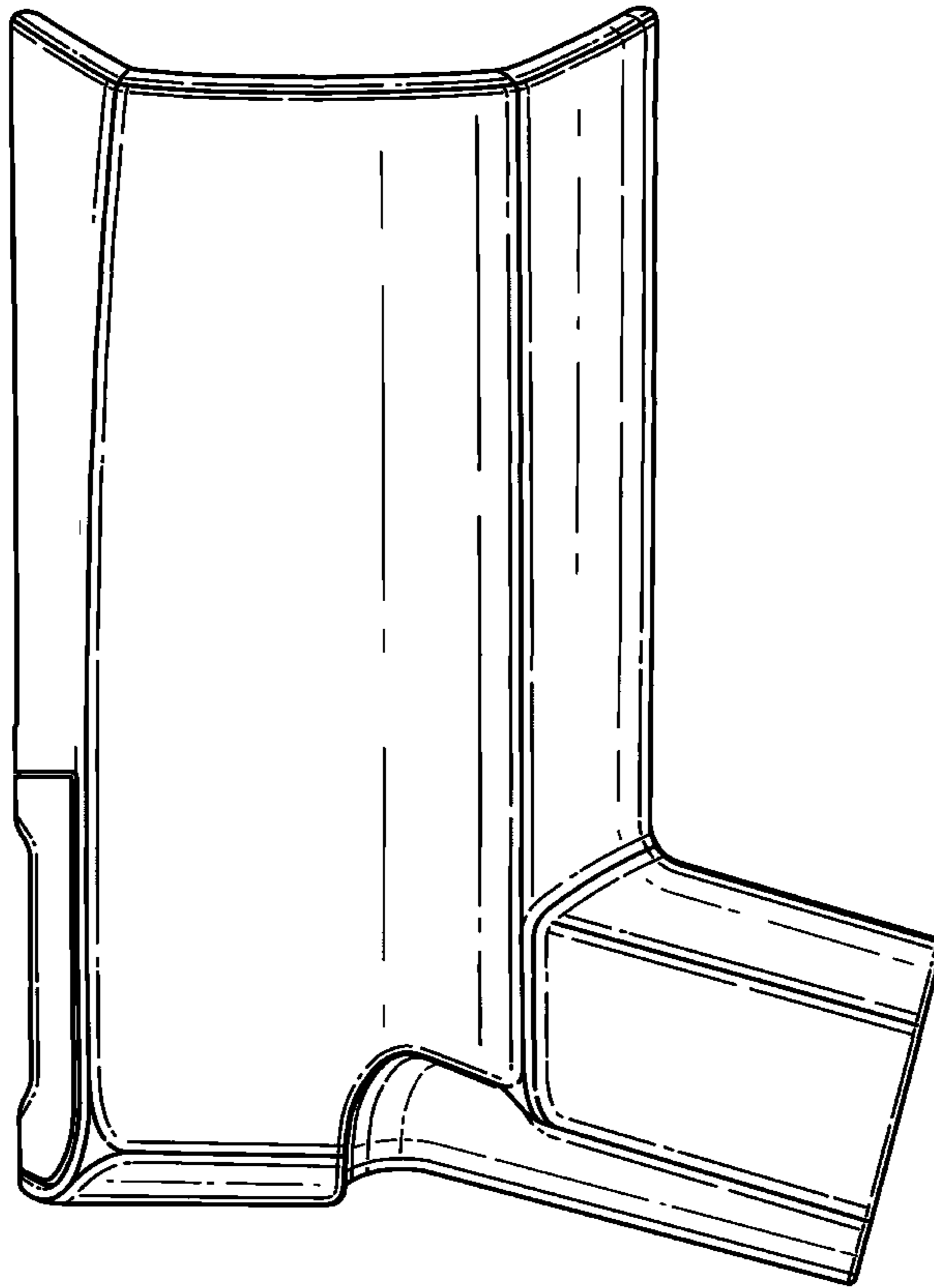


Fig. 2.

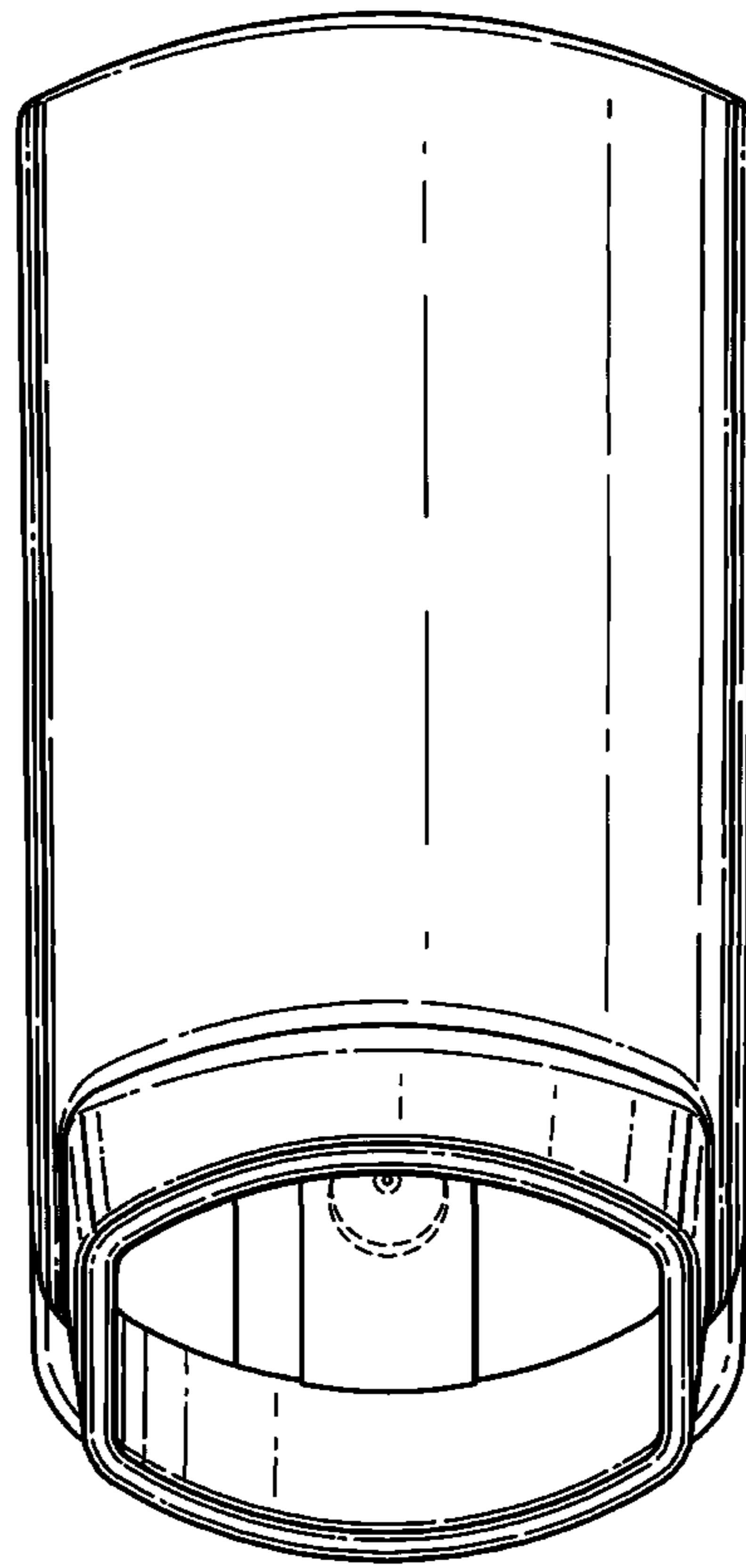


Fig. 3.

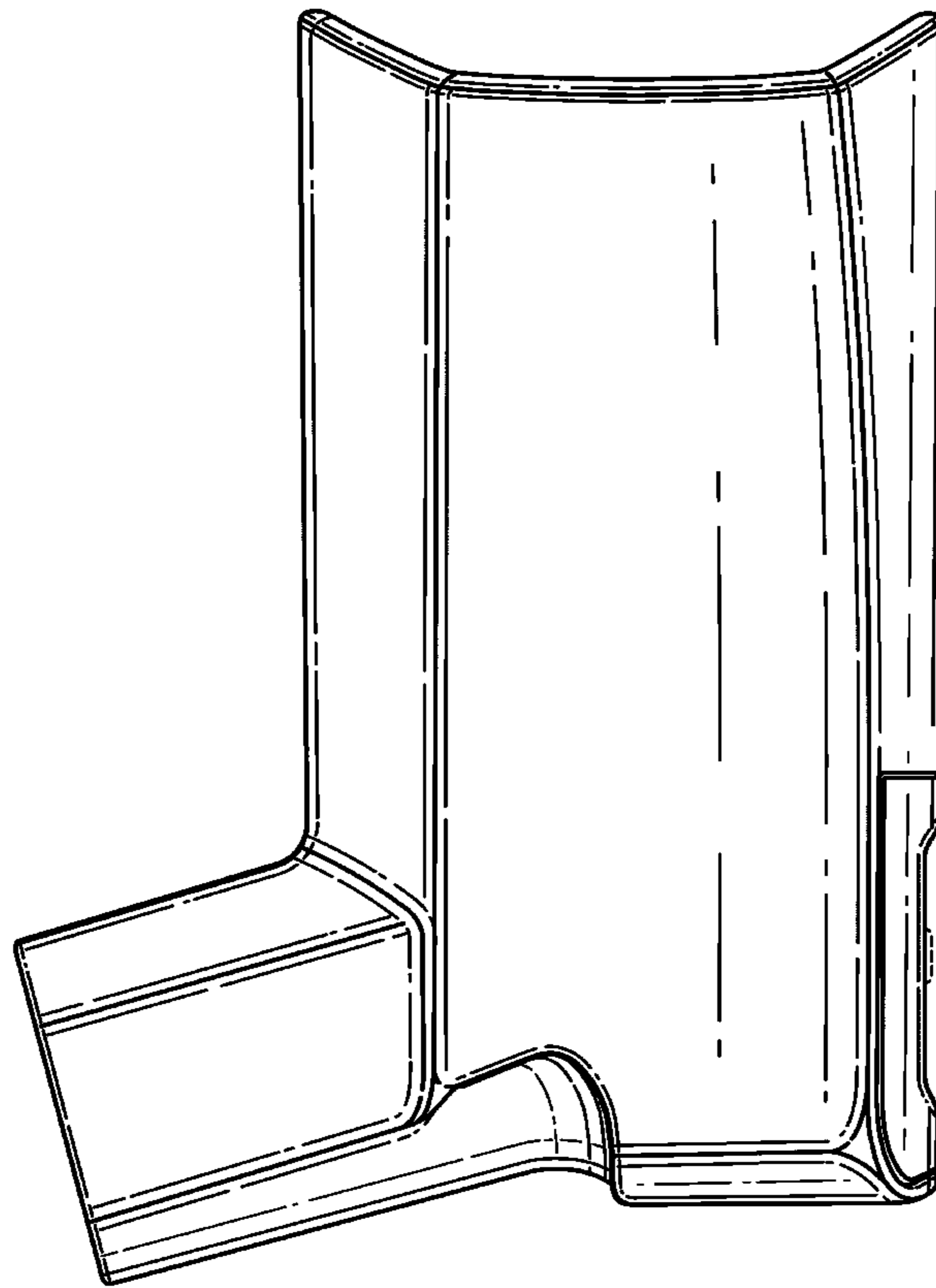


Fig. 4.

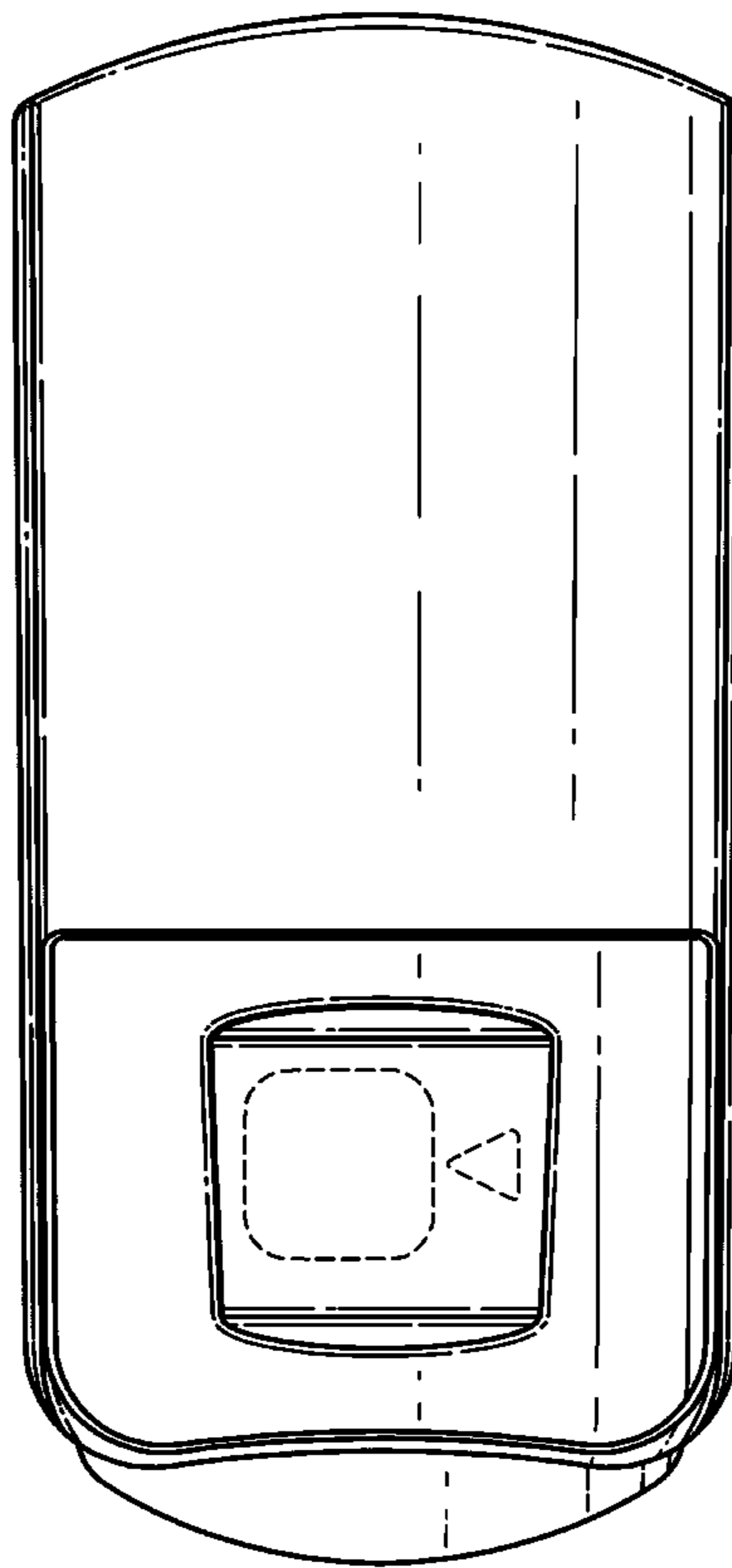


Fig. 5.

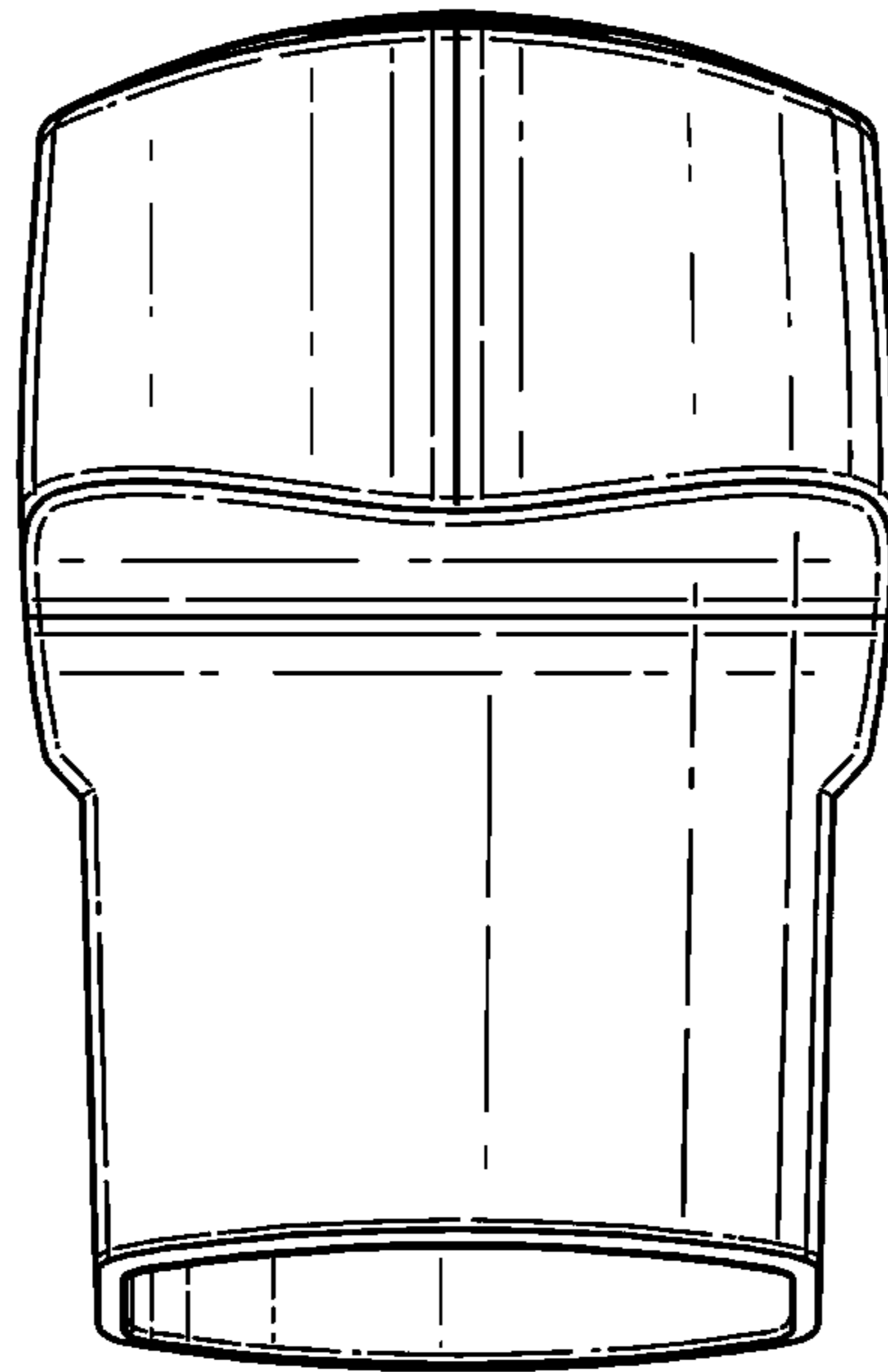


Fig. 6.

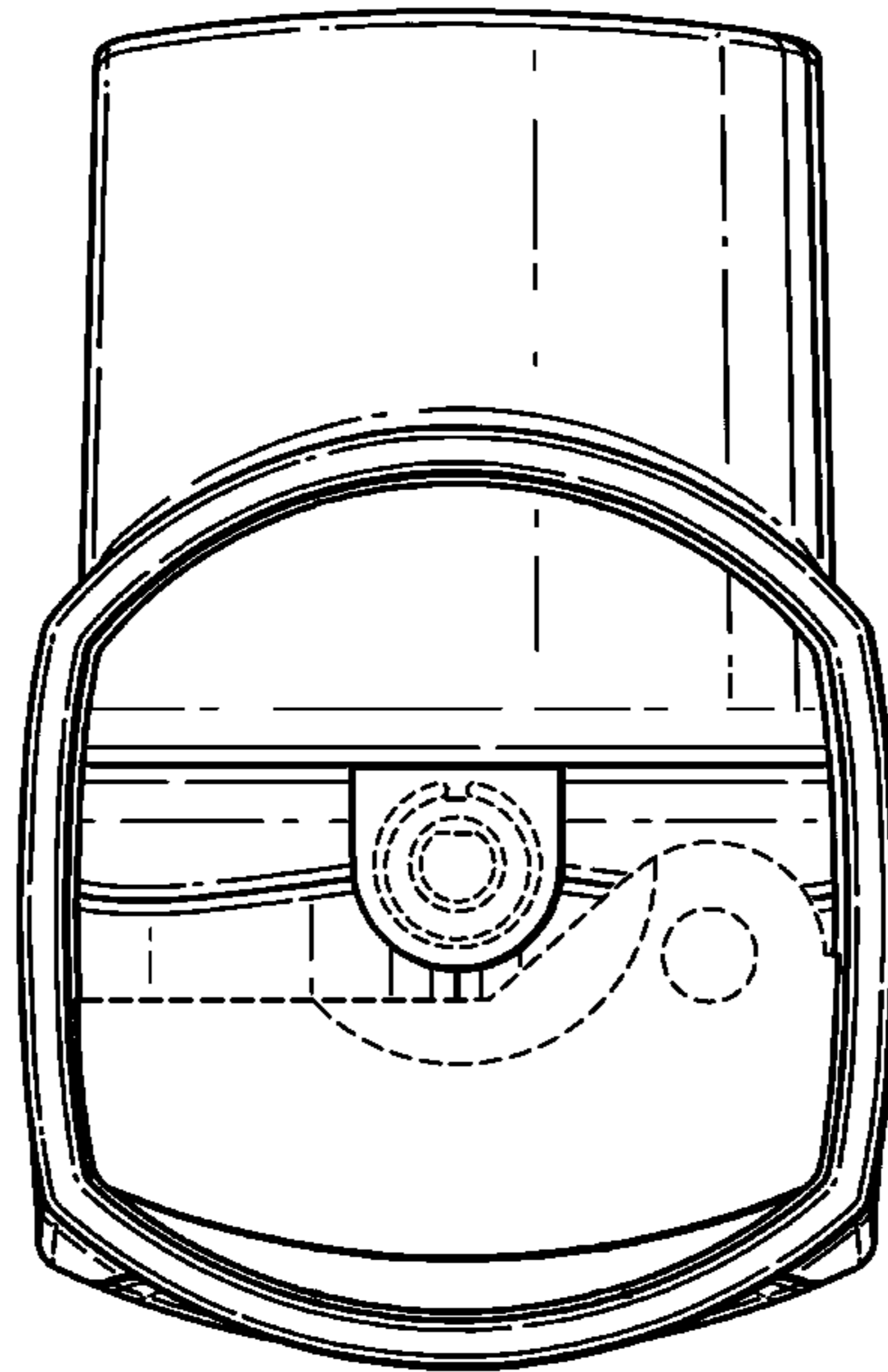


Fig. 7.