



US00D681803S

(12) **United States Design Patent**  
**Sheehy**

(10) **Patent No.:** **US D681,803 S**

(45) **Date of Patent:** **\*\* \*May 7, 2013**

(54) **INHALER**

(75) Inventor: **Robert Sheehy**, North Attleborough,  
MA (US)

(73) Assignee: **IVAX International BV**, Utrecht (NL)

(\*) Notice: This patent is subject to a terminal disclaimer.

(\*\*) Term: **14 Years**

(21) Appl. No.: **29/362,173**

(22) Filed: **May 20, 2010**

(30) **Foreign Application Priority Data**

Nov. 20, 2009 (EM) ..... 001178859-0001

(51) **LOC (9) Cl.** ..... **29-02**

(52) **U.S. Cl.**  
USPC ..... **D24/110**

(58) **Field of Classification Search** ..... D24/110,  
D24/110.5, 110.04; 128/97.1, 200.12–200.23  
See application file for complete search history.

(56) **References Cited**

**U.S. PATENT DOCUMENTS**

D311,443 S 10/1990 Long  
5,809,997 A \* 9/1998 Wolf ..... 128/200.23

(Continued)

**FOREIGN PATENT DOCUMENTS**

DE 000873914-0001 \* 4/2008  
NL 001178859-0001 \* 11/2009  
NL 001213938-0001 \* 5/2012

**OTHER PUBLICATIONS**

‘Pfizer, BI Inhaler May Raise Risk of Death, Study Says’ [on-line]  
Fox News.com newsletter, published on Jun. 15, 2011, Reuters,  
posted on Jun. 15, 2011, [retrieved on Jul. 25, 2012]. Retrieved from

the Internet. <URL: www.foxnews.com/health/2011/06/15/pfizer-bi-inhaler-may-raise-risk-death-study-says>.\*

(Continued)

*Primary Examiner* — Ian Simmons  
*Assistant Examiner* — Eleni H Aldridge

(74) *Attorney, Agent, or Firm* — Christensen O’Connor  
Johnson Kindness PLLC

(57) **CLAIM**

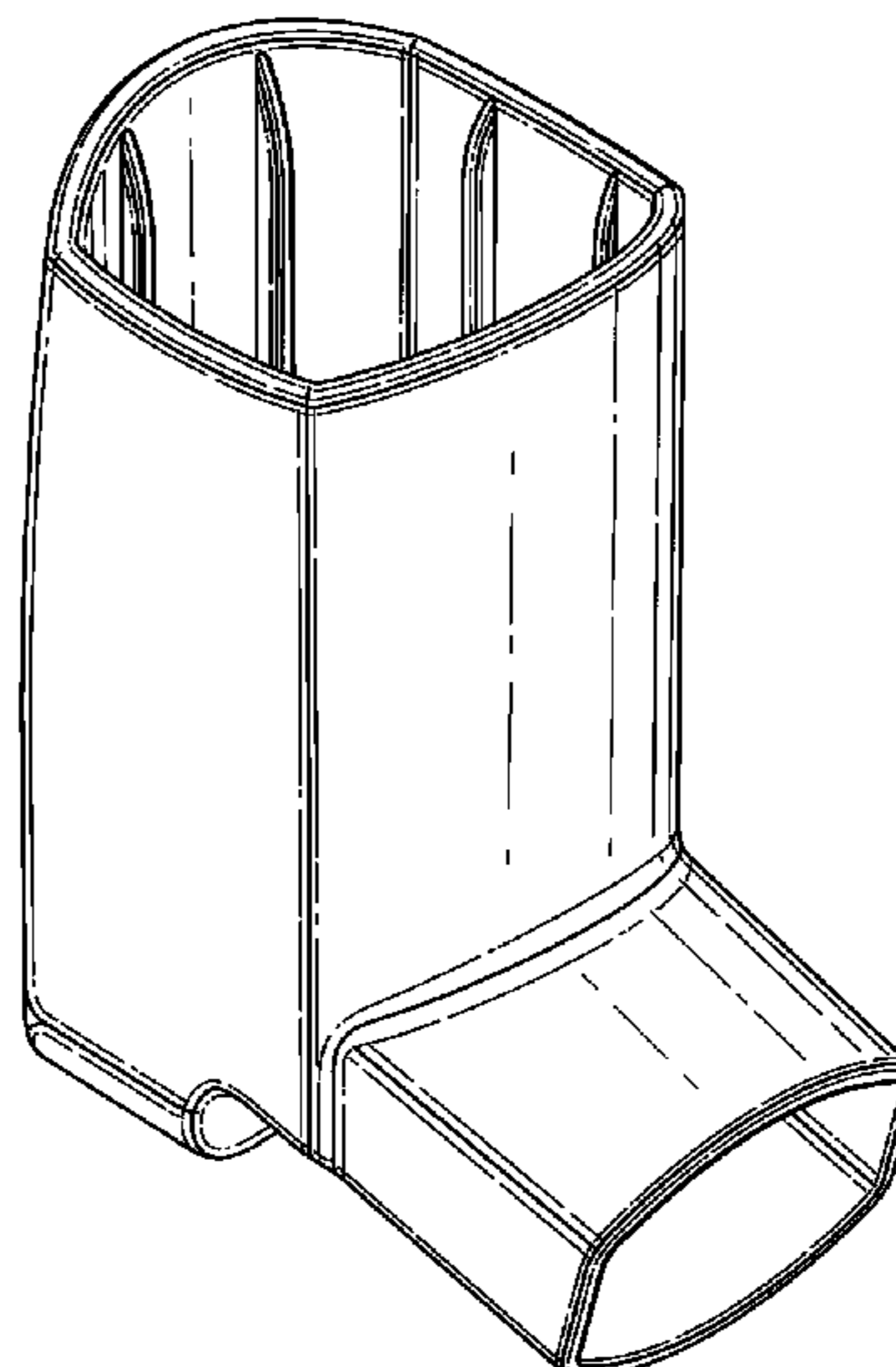
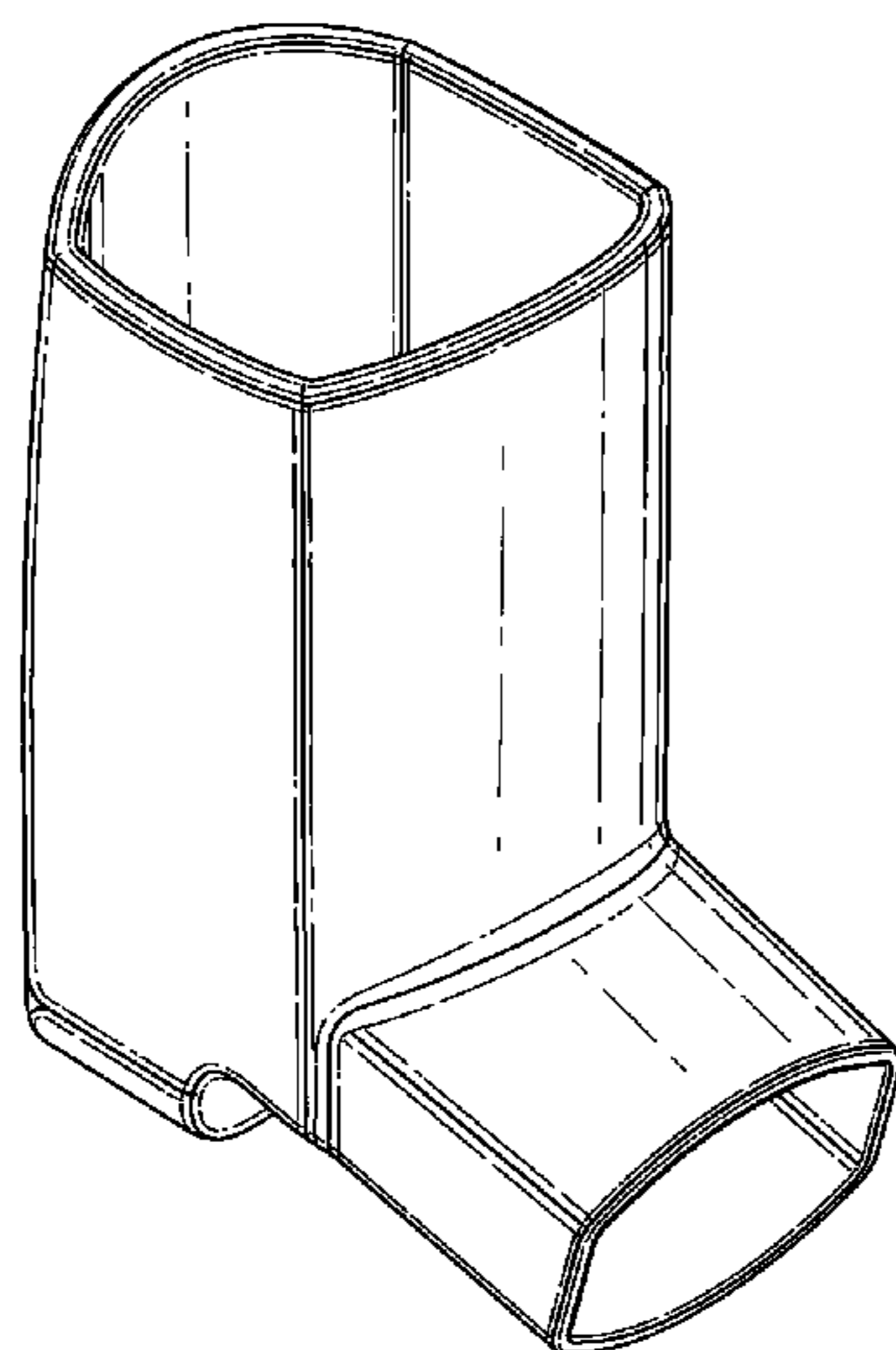
The ornamental design for an inhaler, as shown and described.

**DESCRIPTION**

FIG. 1 is an isometric view of an inhaler constructed in accordance with one embodiment of the present disclosure; FIG. 2 is a first side planar view of the inhaler of FIG. 1; FIG. 3 is a first end planar view of the inhaler of FIG. 1; FIG. 4 is a second side planar view of the inhaler of FIG. 1; FIG. 5 is a second end planar view of the inhaler of FIG. 1; FIG. 6 is a bottom planar view of the inhaler of FIG. 1; FIG. 7 is a top planar view of the inhaler of FIG. 1; FIG. 8 is an isometric view of an inhaler constructed in accordance with a second embodiment of the present disclosure; FIG. 9 is a first side planar view of the inhaler of FIG. 8; FIG. 10 is a first end planar view of the inhaler of FIG. 8; FIG. 11 is a second side planar view of the inhaler of FIG. 8; FIG. 12 is a second end planar view of the inhaler of FIG. 8; FIG. 13 is a bottom planar view of the inhaler of FIG. 8; FIG. 14 is a top planar view of the inhaler of FIG. 8; FIG. 15 is a cross-section view of the inhaler of FIG. 8; and, FIG. 16 is a cross-section planar view of the inhaler of FIG. 15.

The broken lines immediately adjacent the shaded areas represent the bounds of the claimed design while all other broken lines are directed to environment and are for illustrative purposes only; the broken lines form no part of the claimed design.

**1 Claim, 16 Drawing Sheets**



# US D681,803 S

Page 2

## U.S. PATENT DOCUMENTS

5,855,307 A 1/1999 Biddick  
6,116,234 A \* 9/2000 Genova et al. .... 128/200.23  
D433,502 S 11/2000 Rand  
6,164,275 A 12/2000 Van Iderstine  
6,202,642 B1 \* 3/2001 McKinnon et al. .... 128/200.23  
6,234,168 B1 \* 5/2001 Bruna ..... 128/203.12  
D461,239 S 8/2002 Cassidy  
D475,133 S 5/2003 McLuckie  
6,752,145 B1 6/2004 Bonney  
6,805,116 B2 10/2004 Hodson  
D529,605 S 10/2006 Huxham  
D556,896 S 12/2007 Logan  
D571,001 S 6/2008 Warby  
D610,249 S 2/2010 Robinson  
D629,504 S \* 12/2010 Zuyderhoudt ..... D24/110  
D629,507 S \* 12/2010 Zuyderhoudt ..... D24/110.5  
D629,508 S \* 12/2010 Zuyderhoudt ..... D24/110.5  
D629,889 S \* 12/2010 Zuyderhoudt ..... D24/110.5  
D660,411 S \* 5/2012 Zuyderhoudt ..... D24/110  
8,215,299 B2 \* 7/2012 Wu ..... 128/200.23

2002/0189611 A1\* 12/2002 Greenwood et al. .... 128/200.23  
2005/0005930 A1\* 1/2005 Rubel ..... 128/200.23  
2008/0105253 A1\* 5/2008 Pearson et al. .... 128/200.14

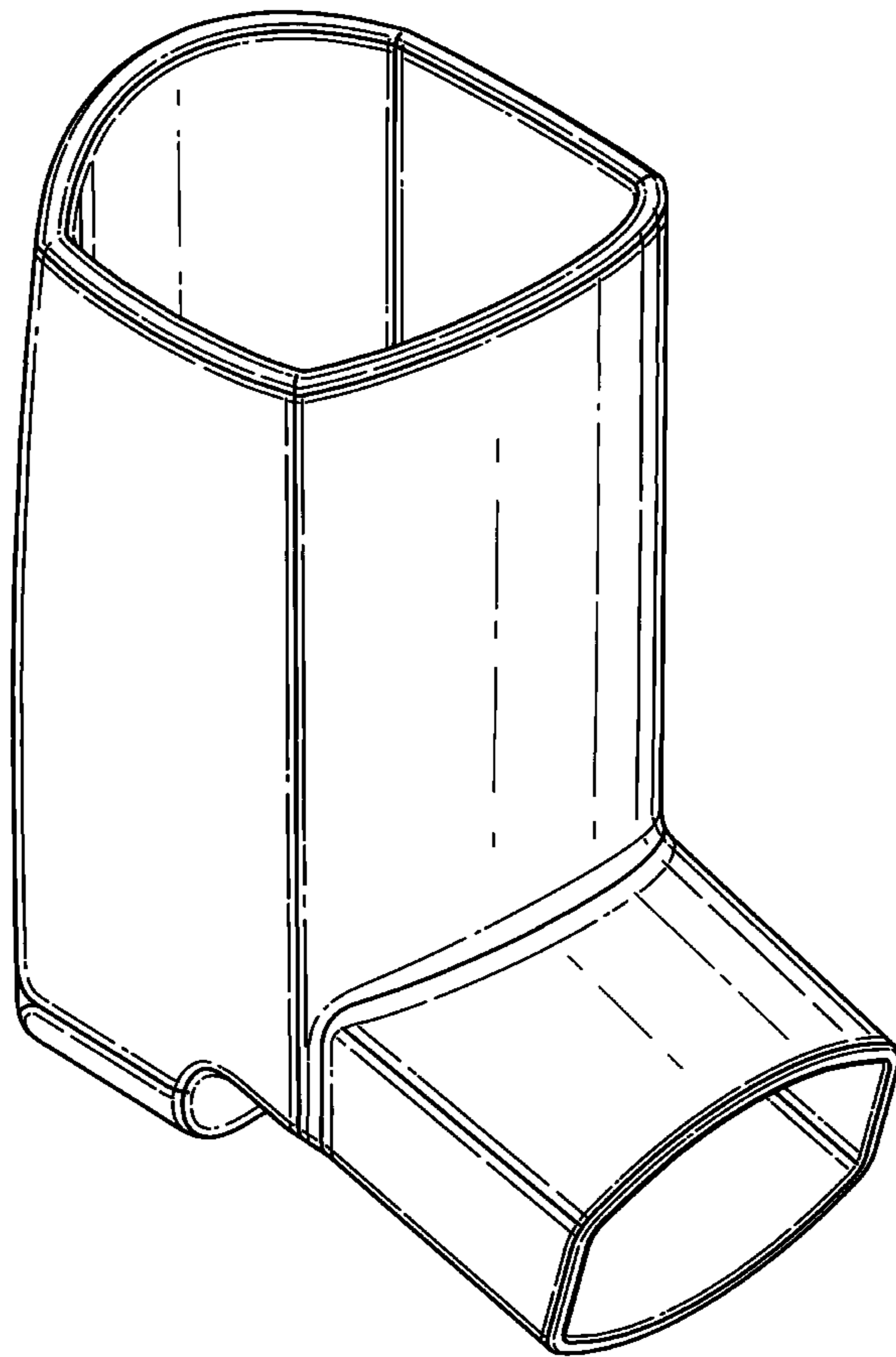
## OTHER PUBLICATIONS

'How Do I Use My Inhaler?' [on-line]. Senior.com, It's Your Internet Community Newsletter, in Asthma section, posted on Aug. 14, 2011, [retrieved on Jul. 25, 2012]. Retrieved from the Internet. <URL: [www.senior.com/health/asthma/how-do-i-use-my-inhaler](http://www.senior.com/health/asthma/how-do-i-use-my-inhaler)>.\*

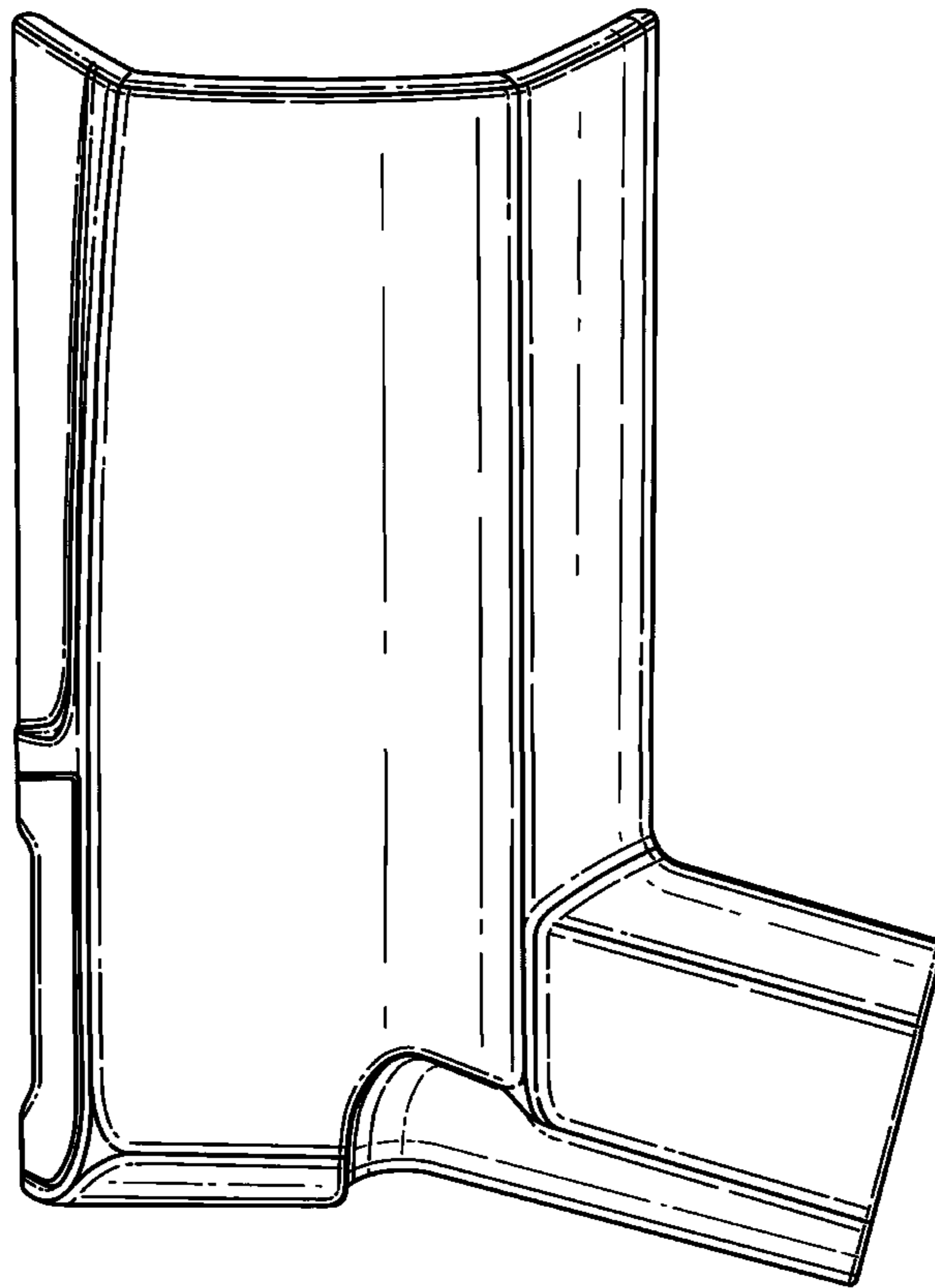
'Ozone Friendly Inhalers Are Not Friendly to Asthmatics' [on-line]. African American Environmentalist Association Newsletter, posted on May 12, 2006, [retrieved on Jul. 25, 2012]. Retrieved from the Internet. <URL: [aaenvironment.blogspot.com/2006/05/ozone-friendly-inhalers-are-not.html](http://aaenvironment.blogspot.com/2006/05/ozone-friendly-inhalers-are-not.html)>.\*

'The Immune System' [on-line]. Physiology Blog, posted on May 14, 2010, [retrieved on Jul. 25, 2012]. Retrieved from the Internet. <URL: [lillysphysiologyblog.blogspot.com](http://lillysphysiologyblog.blogspot.com)>.\*

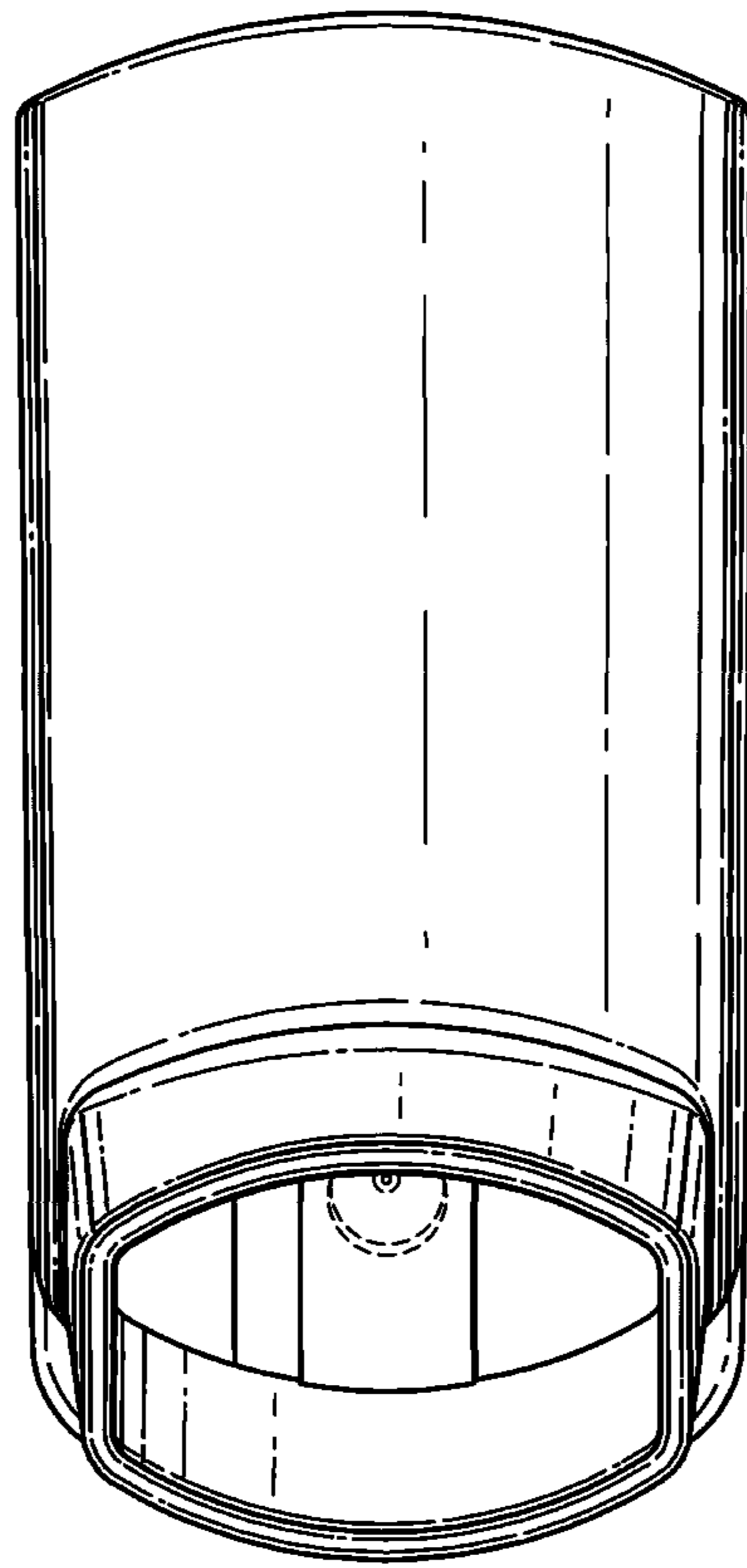
\* cited by examiner



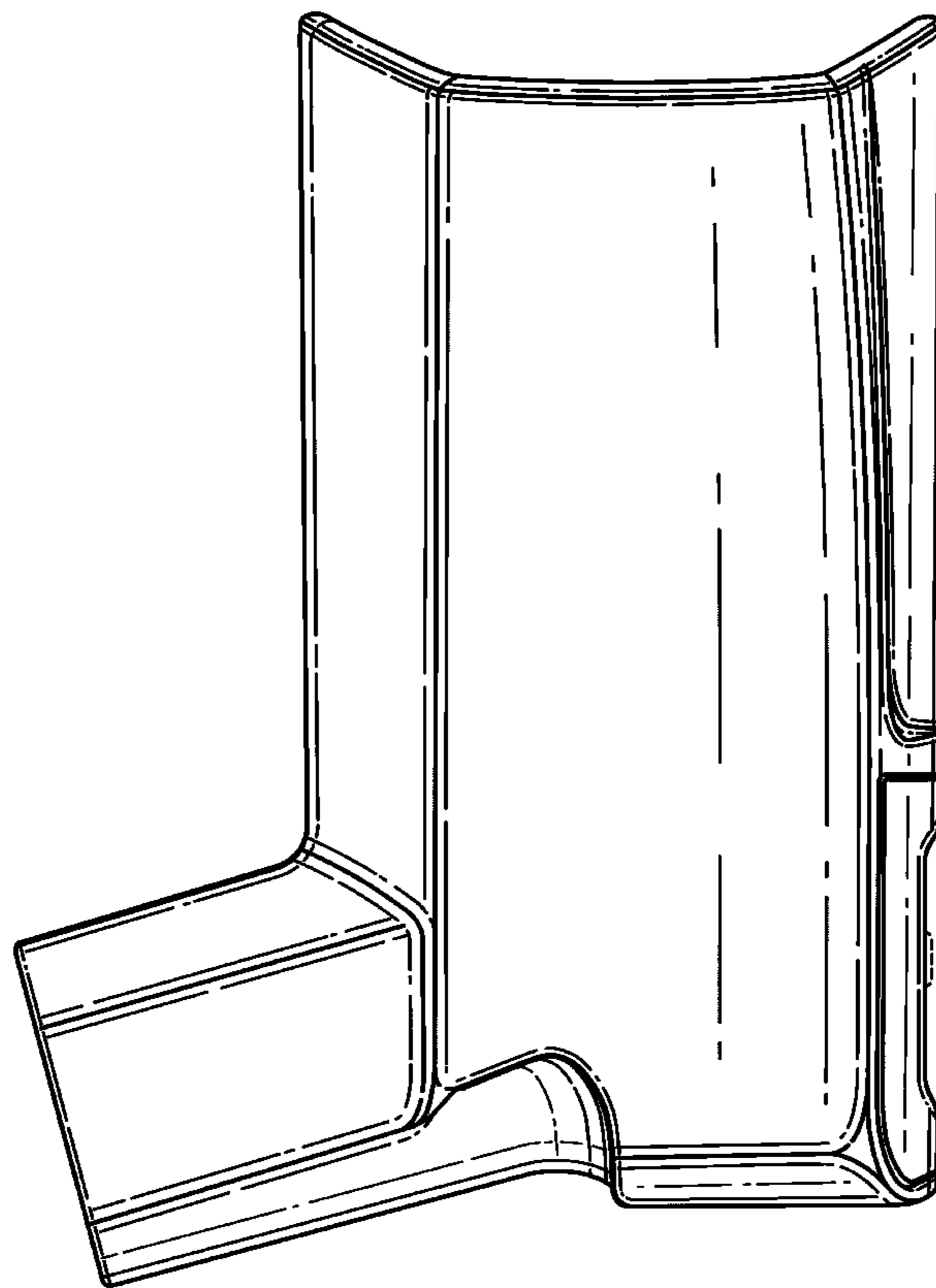
*Fig. 1.*



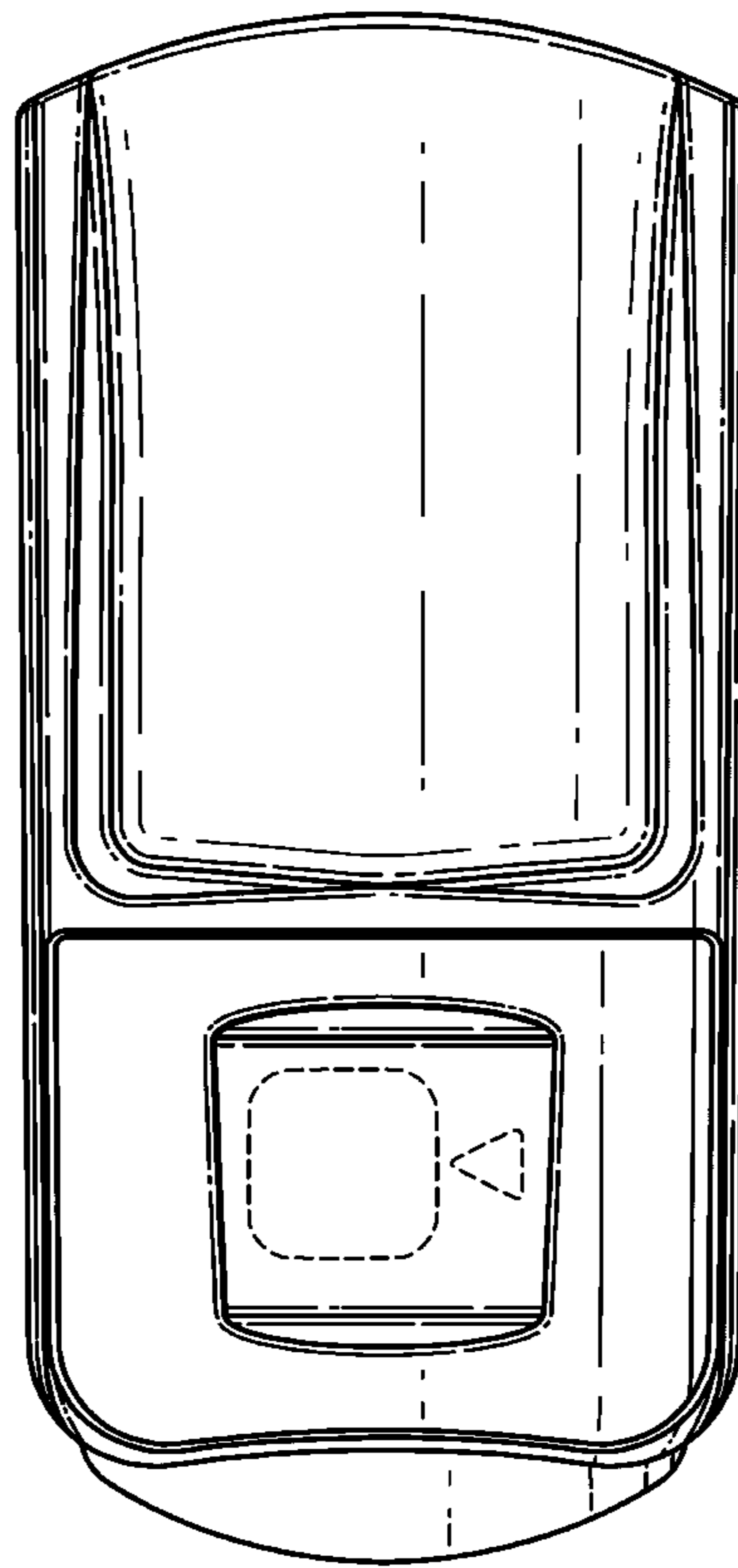
*Fig. 2.*



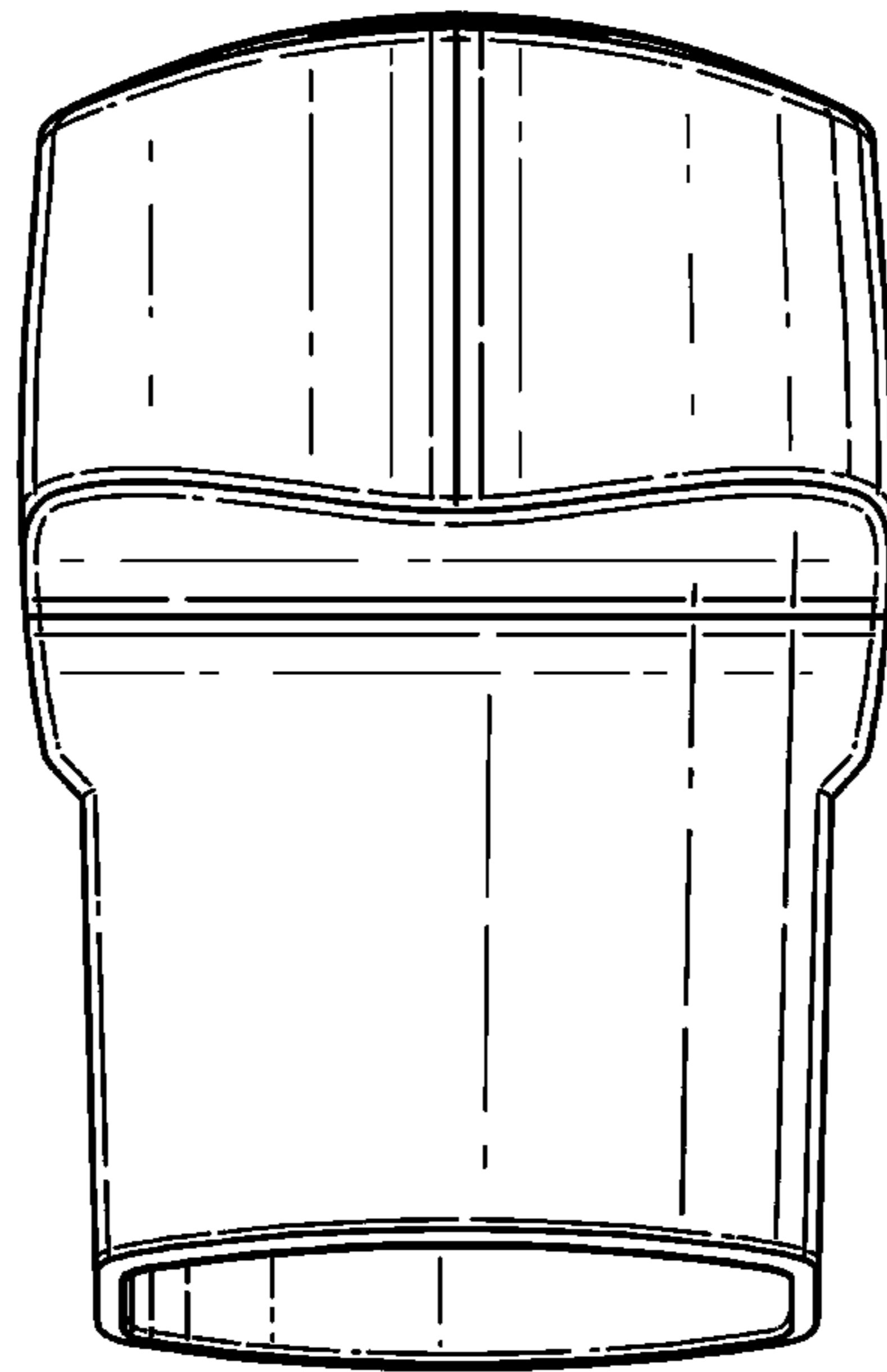
*Fig. 3.*



*Fig. 4.*

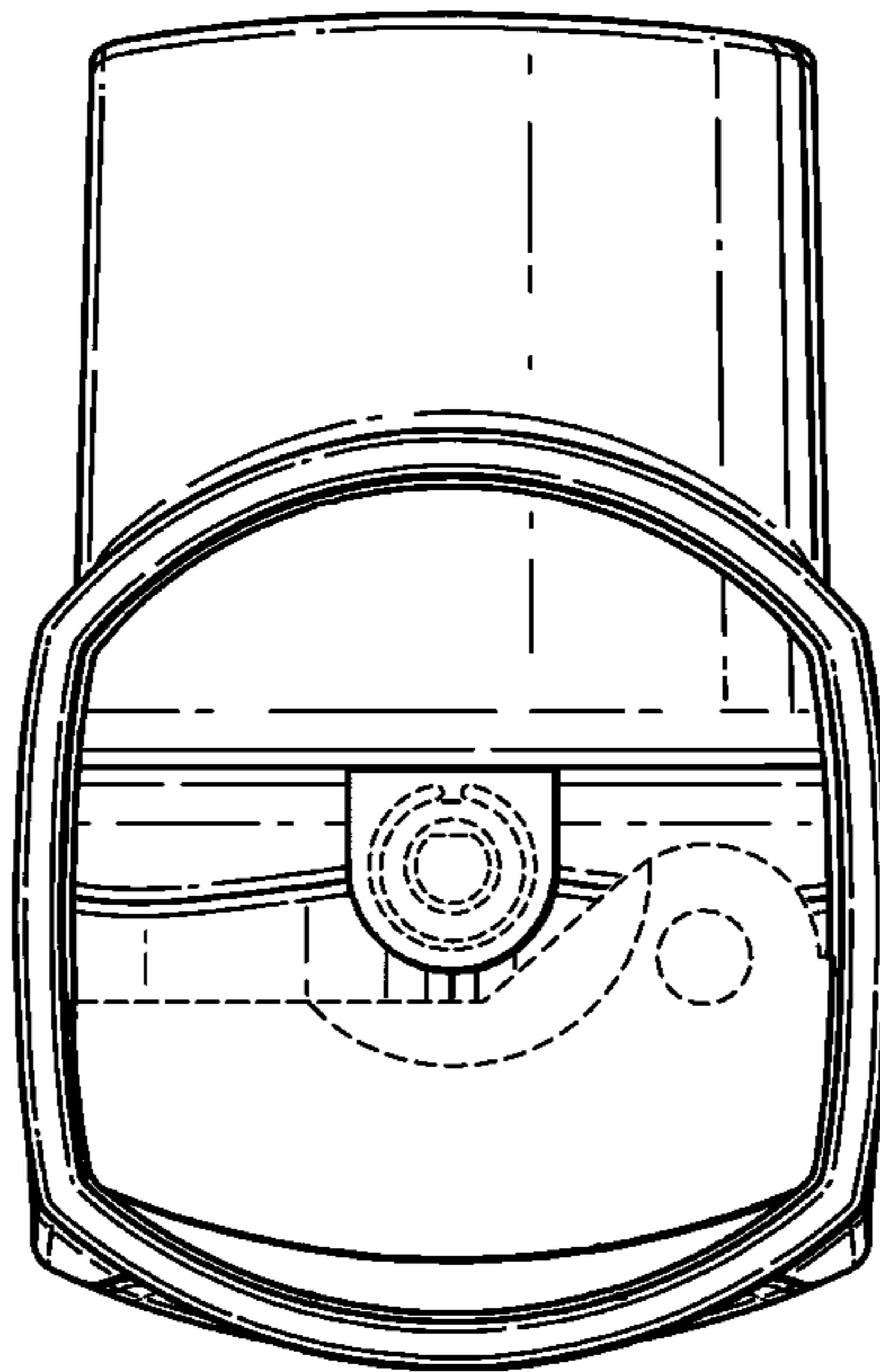


*Fig. 5.*

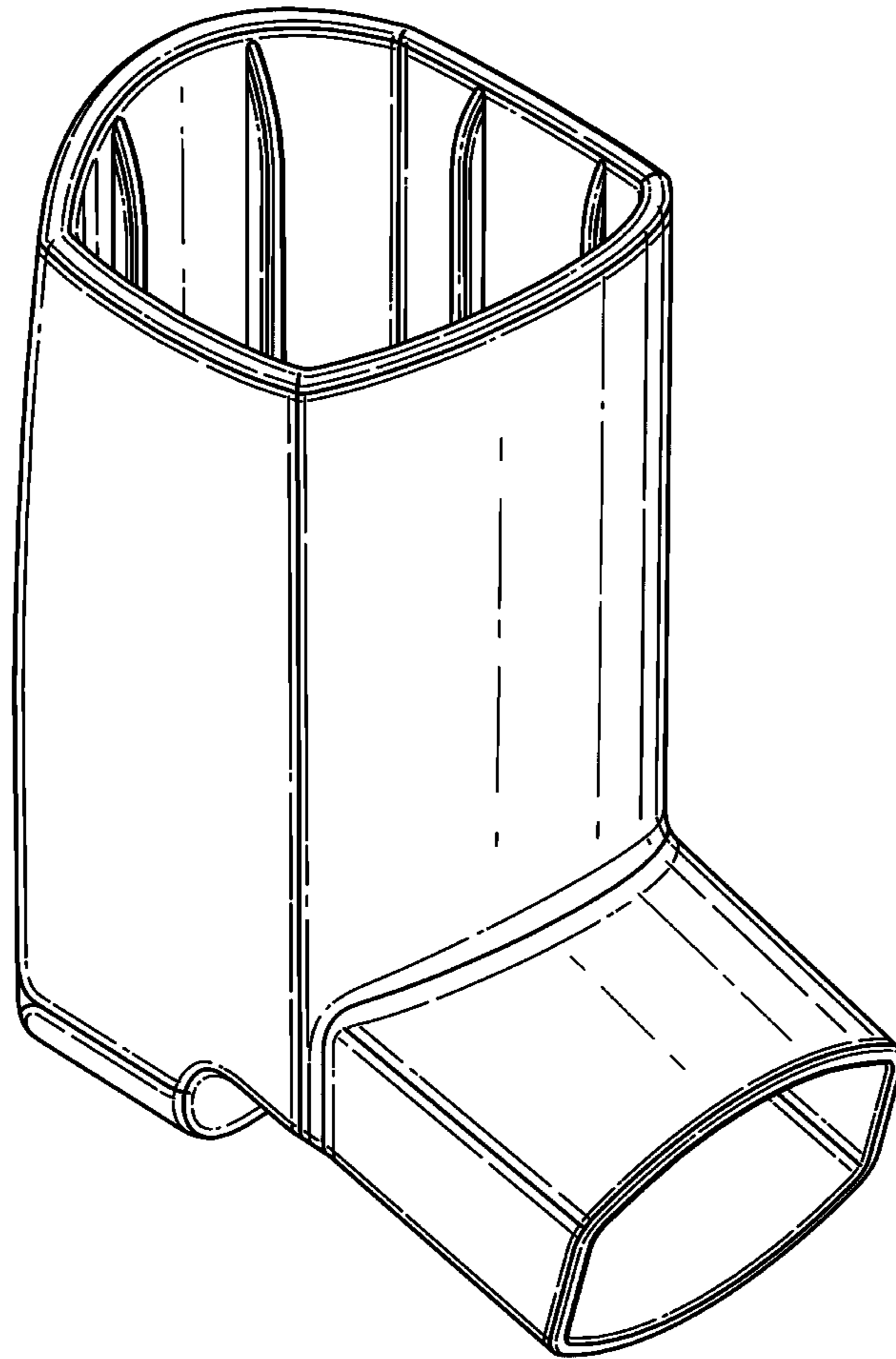


*Fig. 6.*

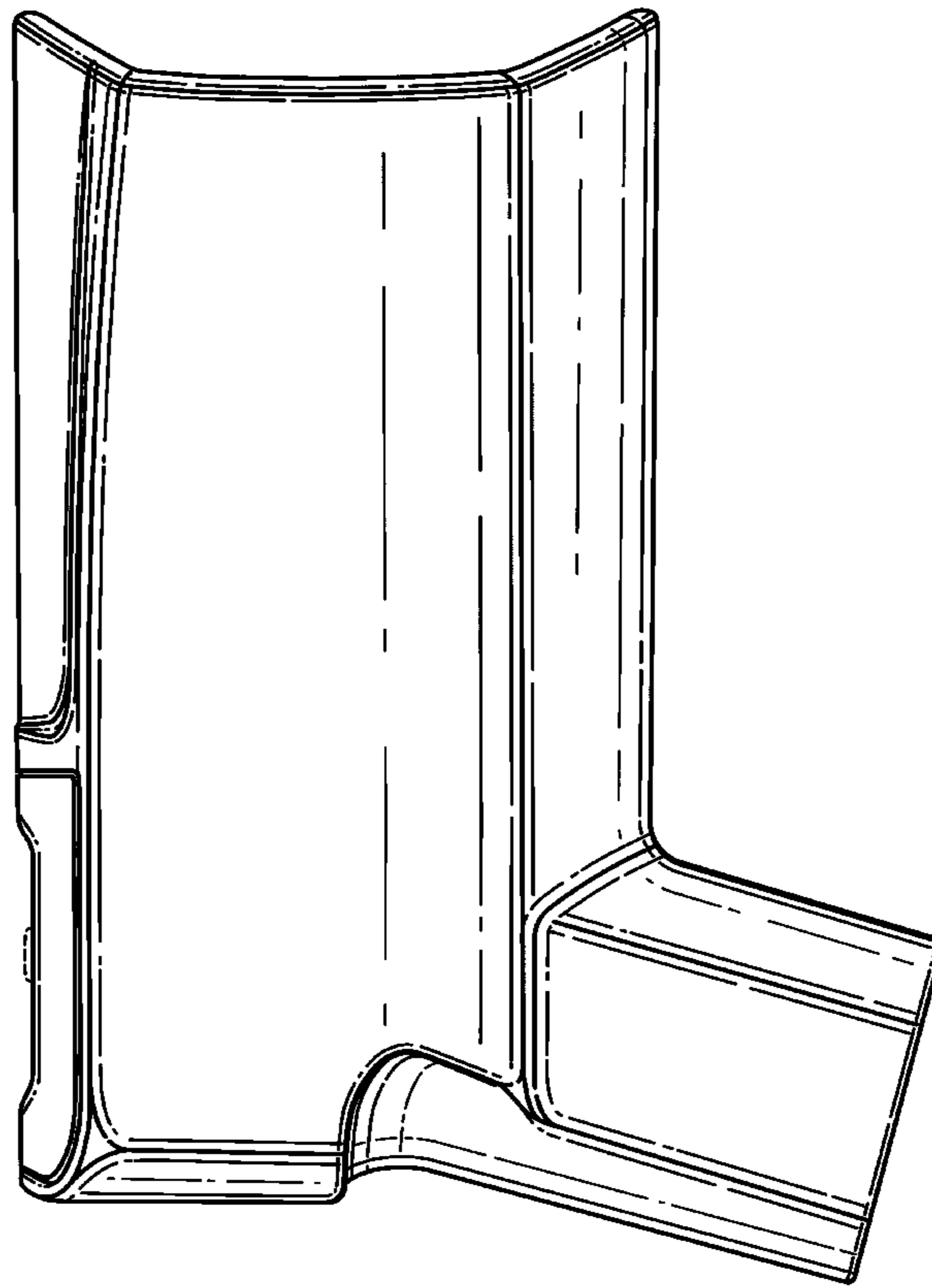




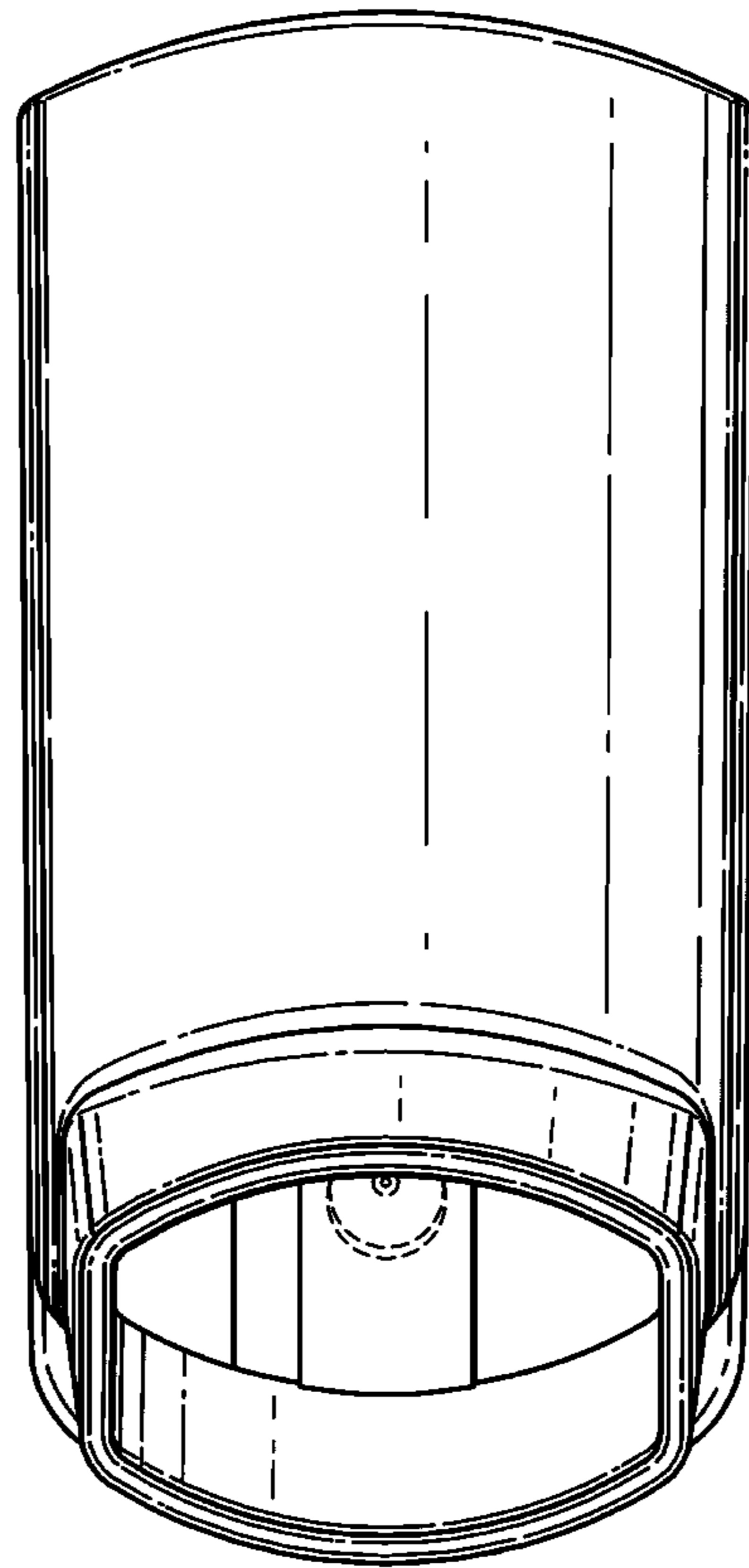
*Fig. 7.*



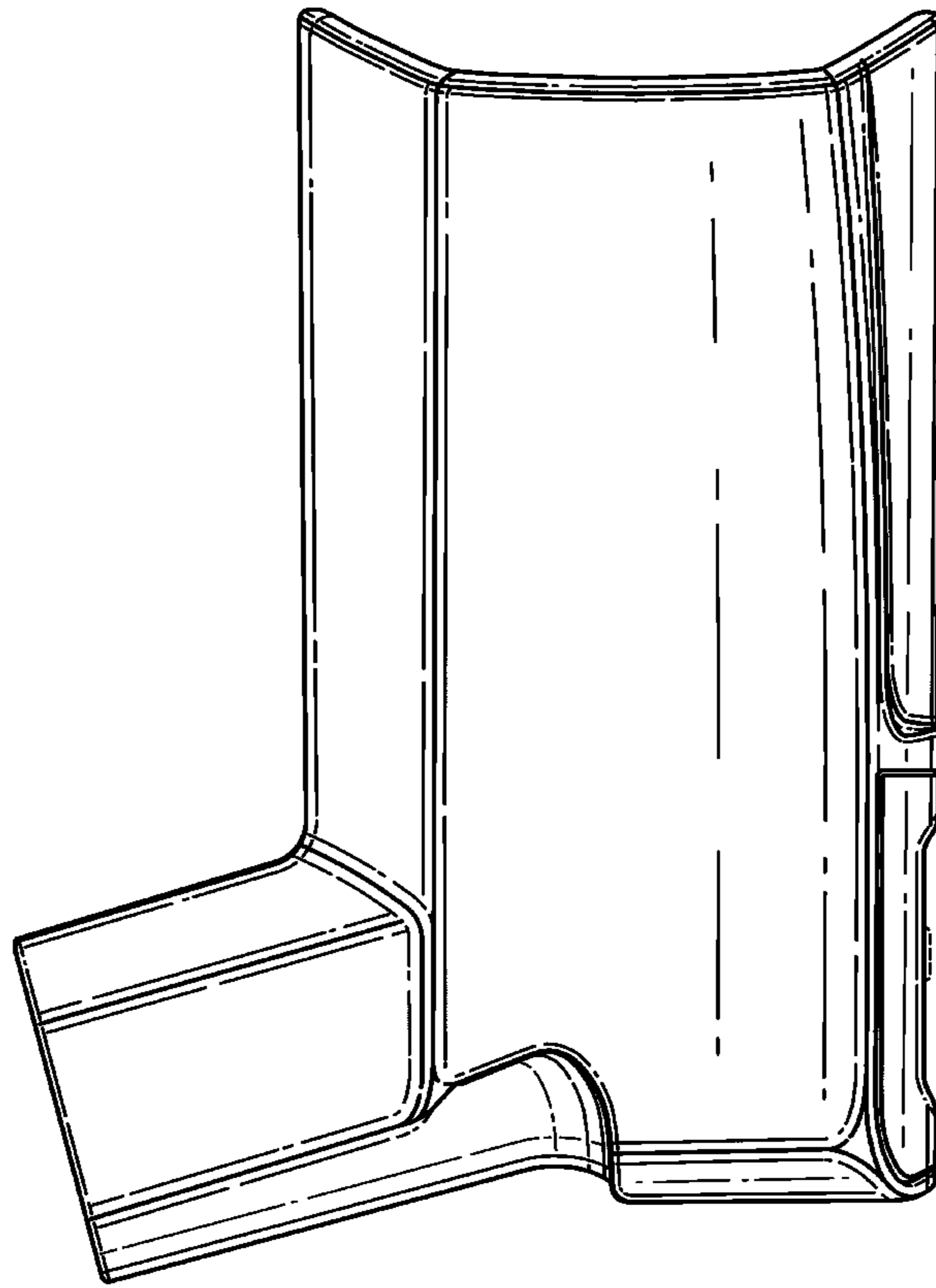
*Fig. 8.*



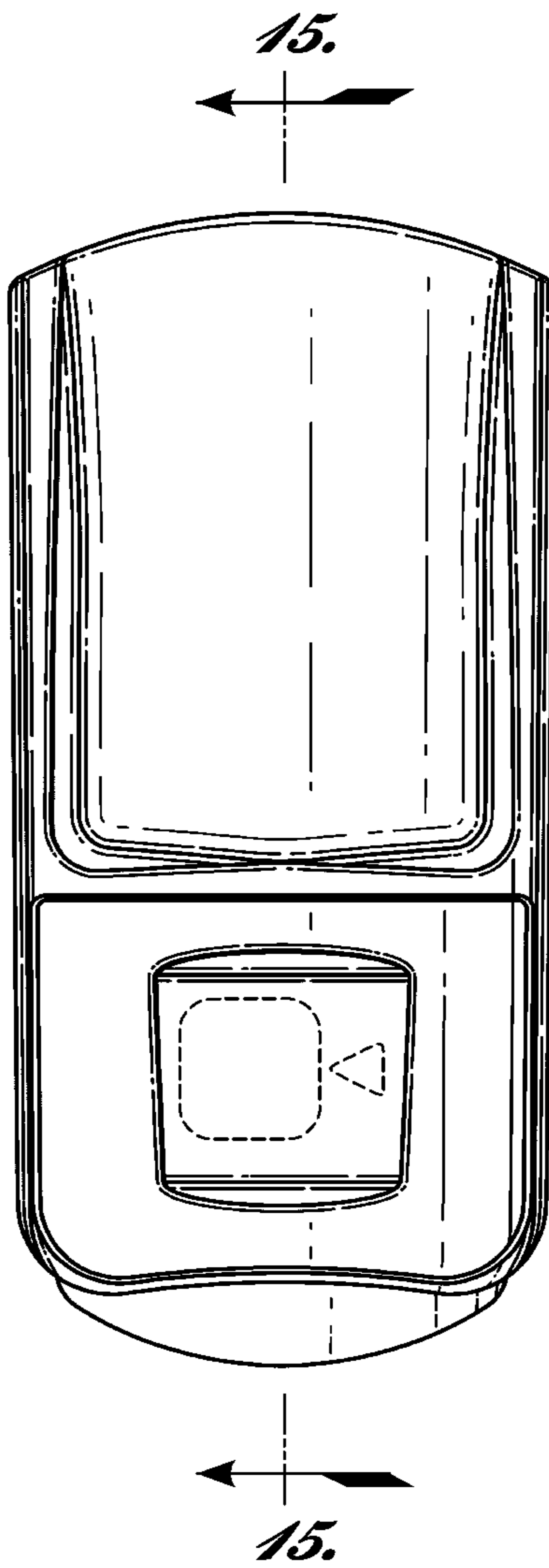
*Fig. 9.*



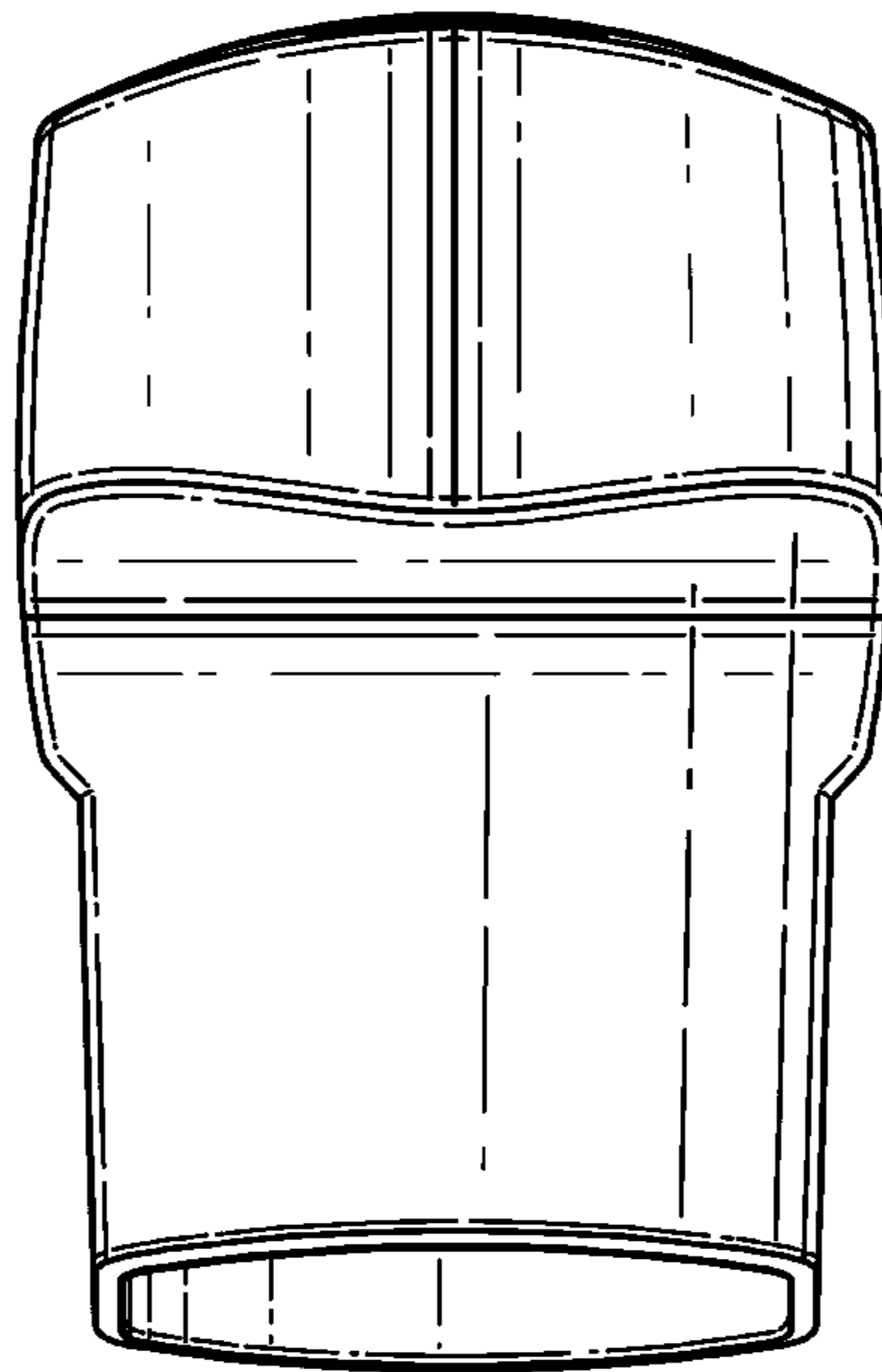
*Fig. 10.*



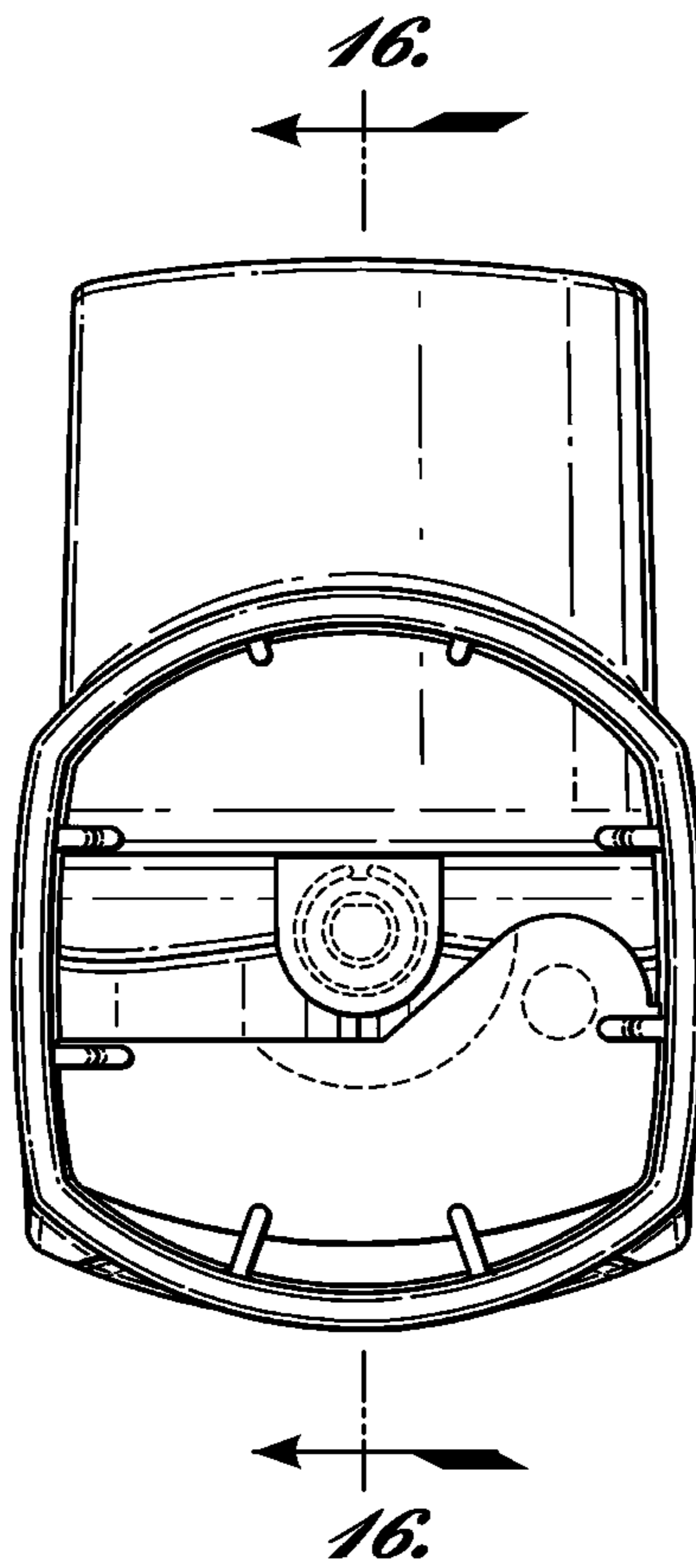
*Fig. 11.*



*Fig. 12.*

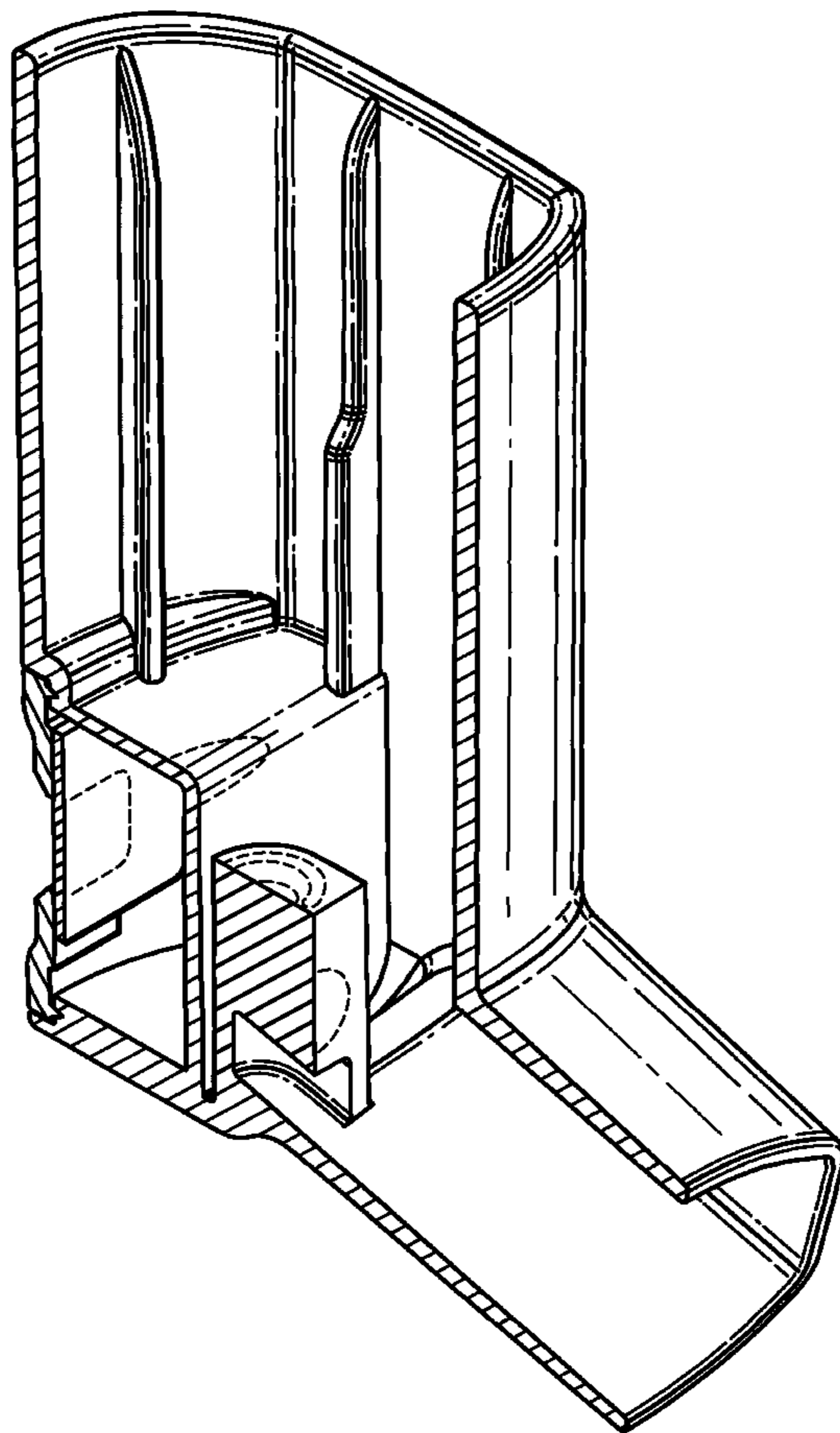


*Fig. 13.*

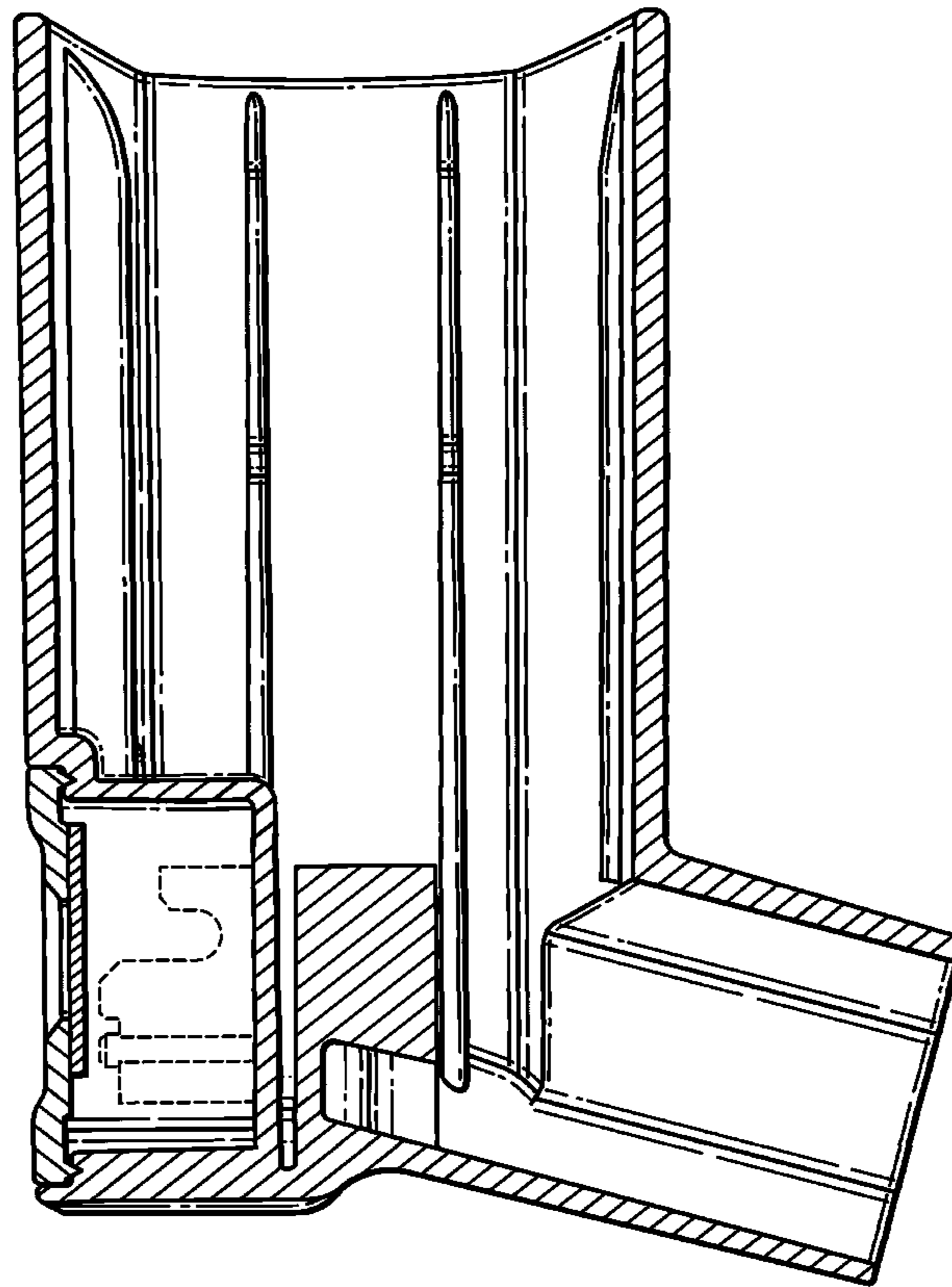


*Fig. 14.*





*Fig. 15.*



*Fig. 16.*