



US00D681802S

(12) **United States Design Patent**
Marks

(10) **Patent No.:** **US D681,802 S**

(45) **Date of Patent:** **** May 7, 2013**

(54) **BREAST PUMP**

(75) **Inventor:** **Tracey Constance Marks**, Gardena, CA (US)

(73) **Assignee:** **Tracey C. Marks**, Gardena, CA (US)

(**) **Term:** **14 Years**

(21) **Appl. No.:** **29/372,901**

(22) **Filed:** **Feb. 3, 2011**

(51) **LOC (9) Cl.** **24-02**

(52) **U.S. Cl.**
USPC **D24/109**

(58) **Field of Classification Search** D24/108-109,
D24/111, 231; D9/436, 455; D15/7-9; D14/172,
D14/204; 604/73-76, 35-36; 119/14.01,
119/14.02, 14.25

See application file for complete search history.

(56) **References Cited**

U.S. PATENT DOCUMENTS

5,601,531	A *	2/1997	Silver	604/74
6,547,756	B1 *	4/2003	Greter et al.	604/74
D484,970	S *	1/2004	Renz et al.	D24/109
6,699,213	B1 *	3/2004	Annis et al.	604/74
7,381,197	B2 *	6/2008	Kelly et al.	604/74

7,479,125	B2 *	1/2009	Tashiro	604/74
D609,330	S *	2/2010	Paterson et al.	D24/109
D609,332	S *	2/2010	Paterson et al.	D24/109
2010/0324478	A1 *	12/2010	Kazazoglu et al.	604/74
2011/0270162	A1 *	11/2011	Guo	604/74
2011/0301533	A1 *	12/2011	Holshouser et al.	604/74
2012/0289934	A1 *	11/2012	Greter et al.	604/74

* cited by examiner

Primary Examiner — Wan Laymon

(74) *Attorney, Agent, or Firm* — Tracey C. Marks

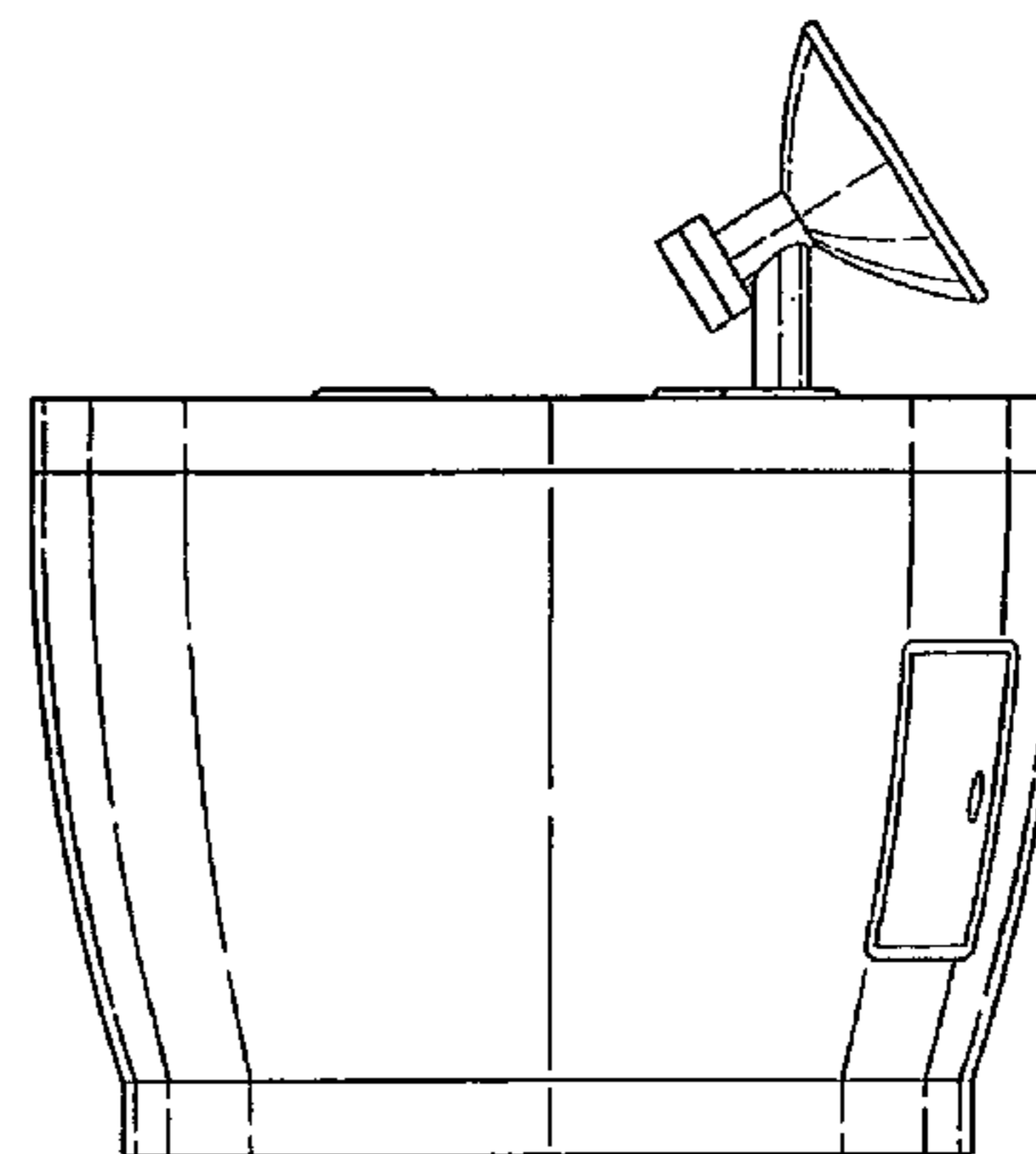
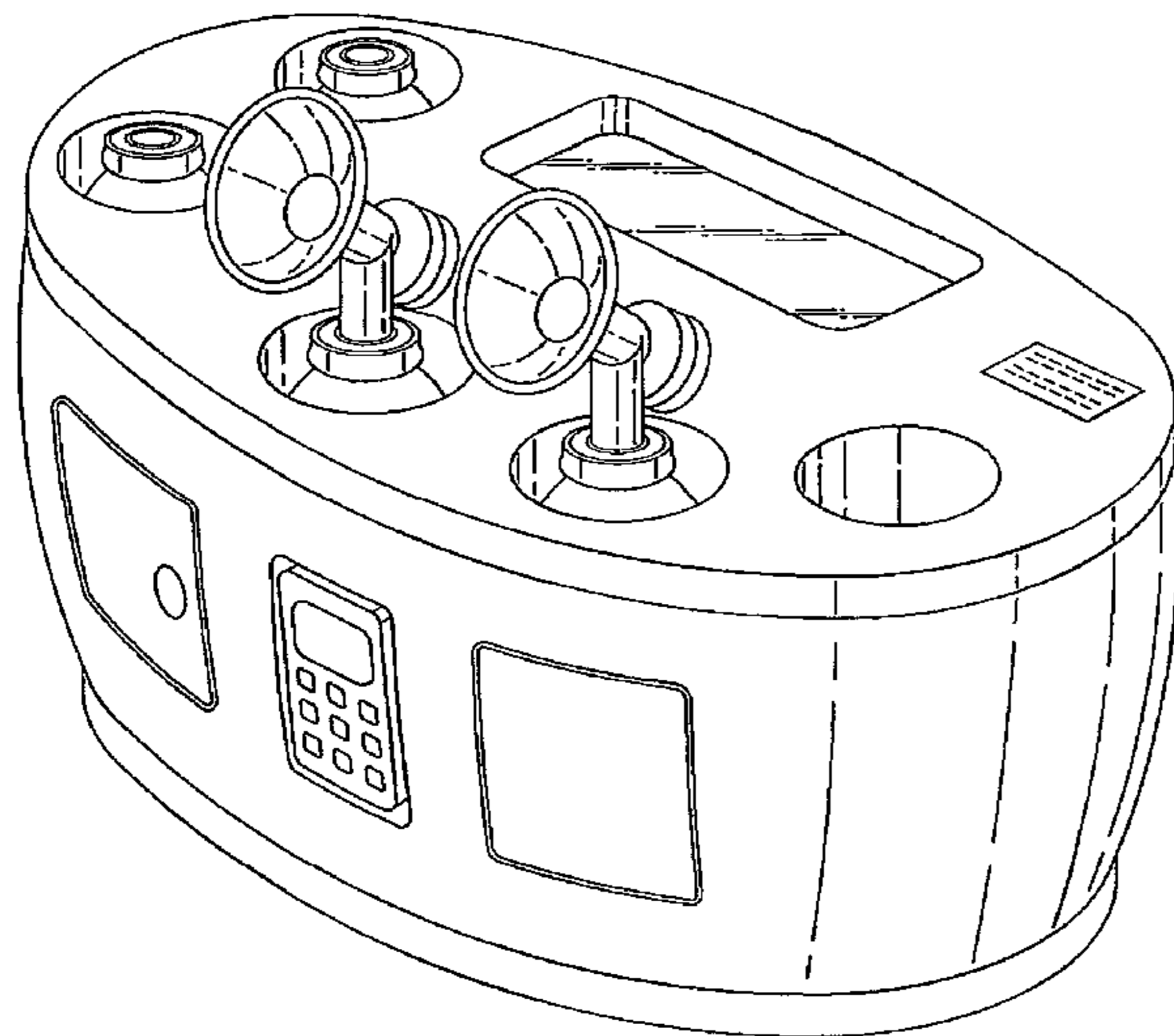
(57) **CLAIM**

The ornamental design for a breast pump, as shown and described.

DESCRIPTION

FIG. 1 is a top, front and side perspective view of a breast pump showing my design;
 FIG. 2 is a front view thereof;
 FIG. 3 is a rear view thereof;
 FIG. 4 is a side view thereof;
 FIG. 5 is an opposite side view thereof;
 FIG. 6 is a top view thereof; and,
 FIG. 7 is a bottom view thereof.
 Portions of the breast pump shown in broken lines form no part of the claimed design.

1 Claim, 4 Drawing Sheets



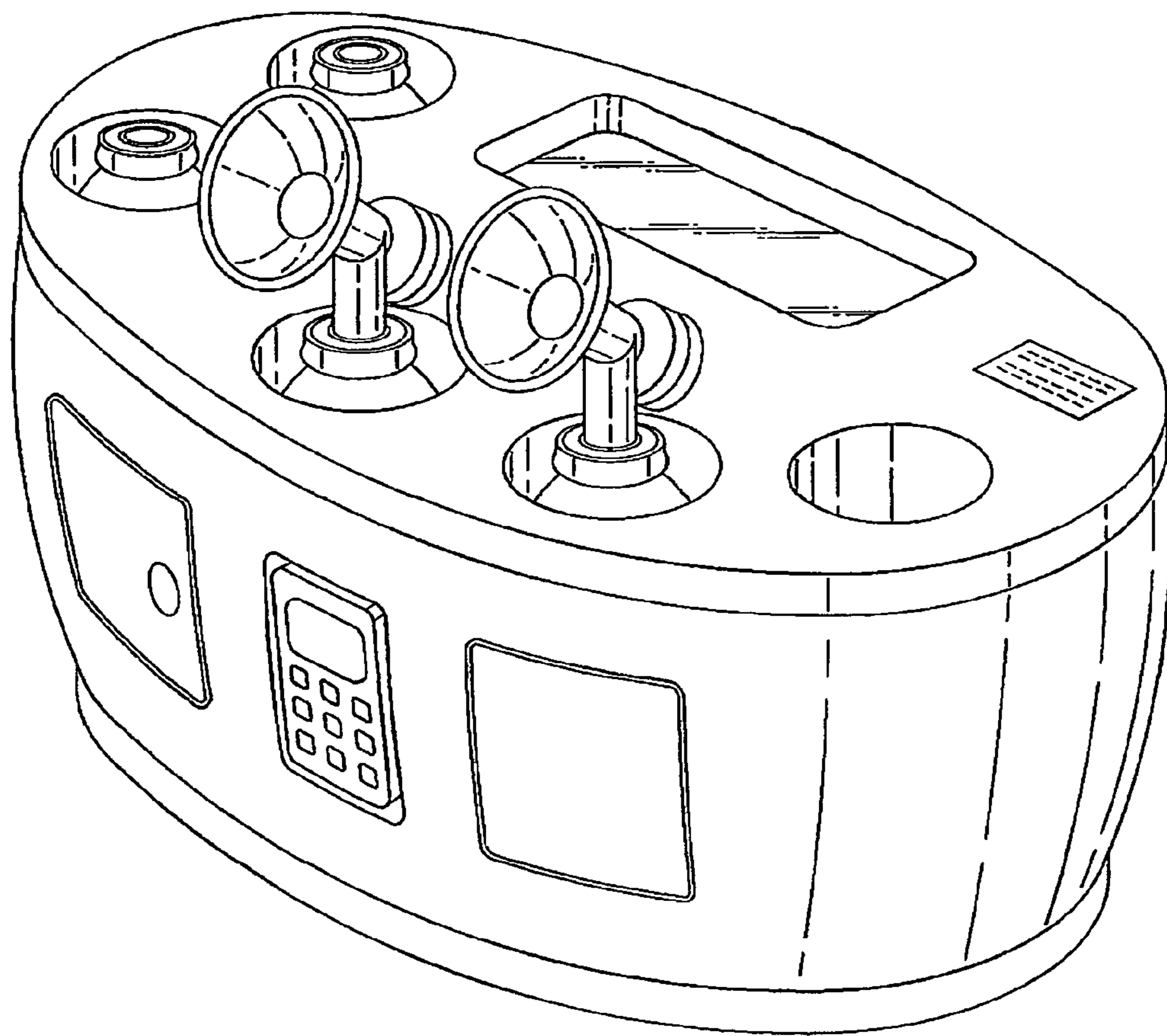


Fig. 1

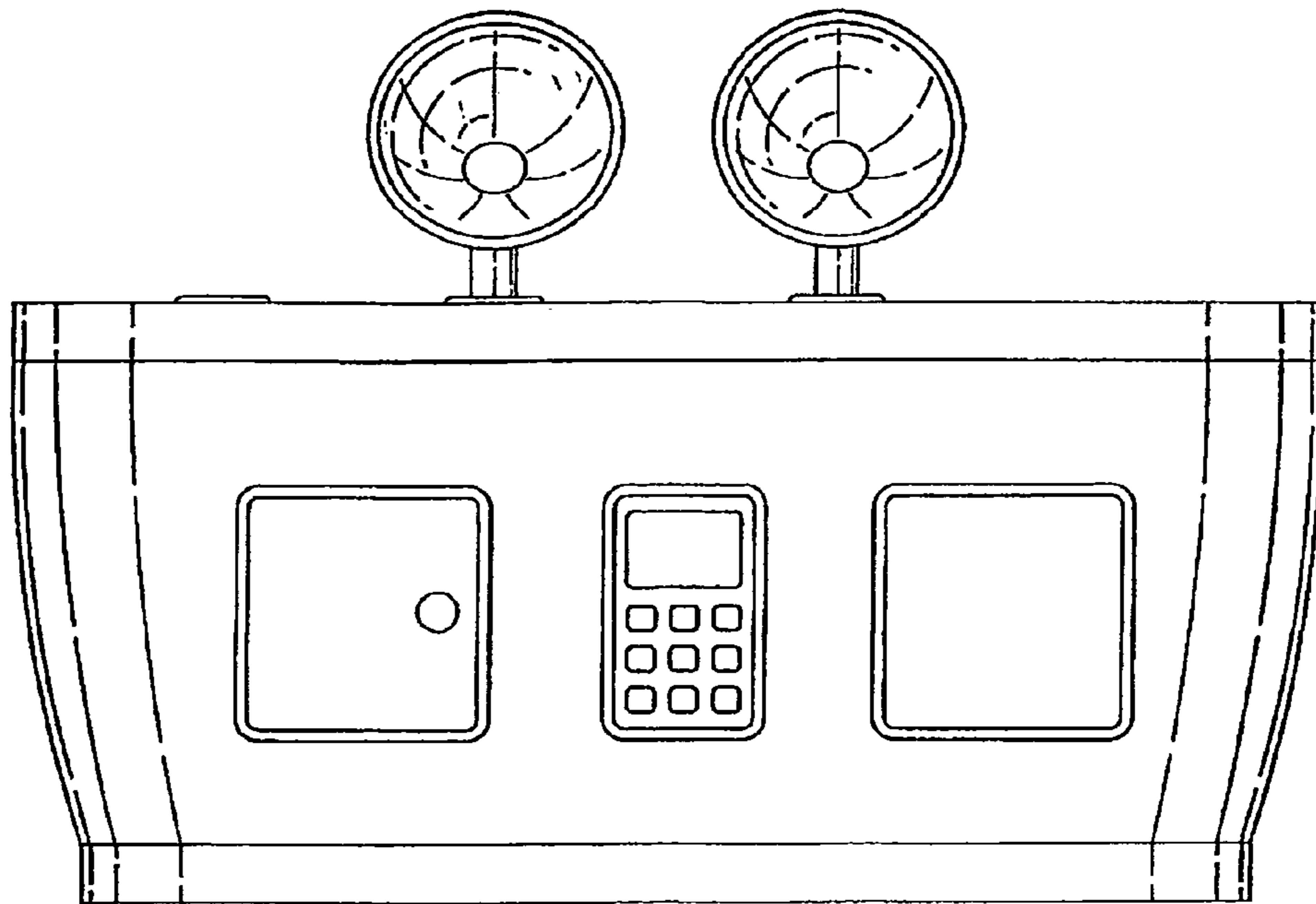


Fig.2

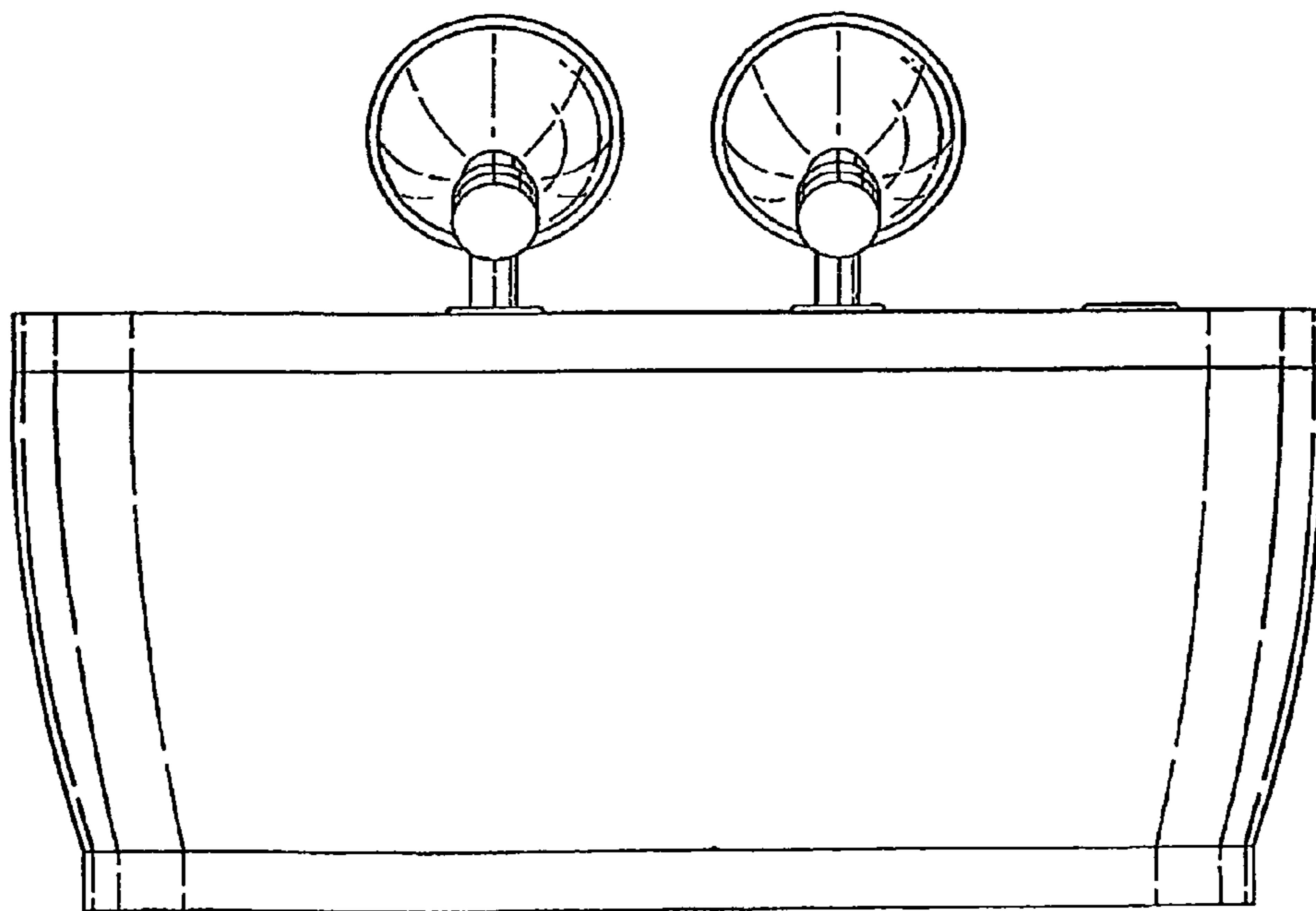


Fig.3

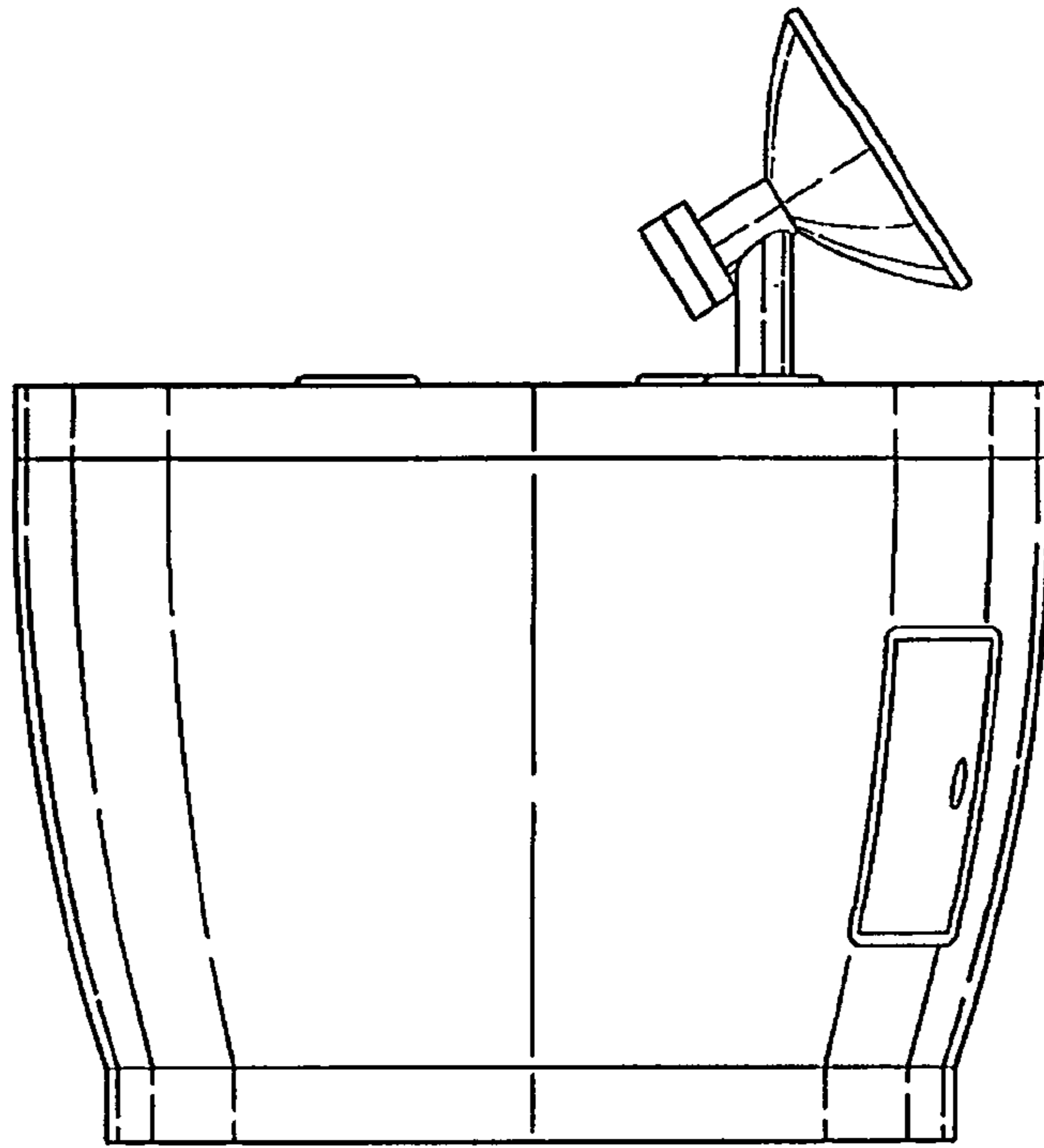


Fig.4

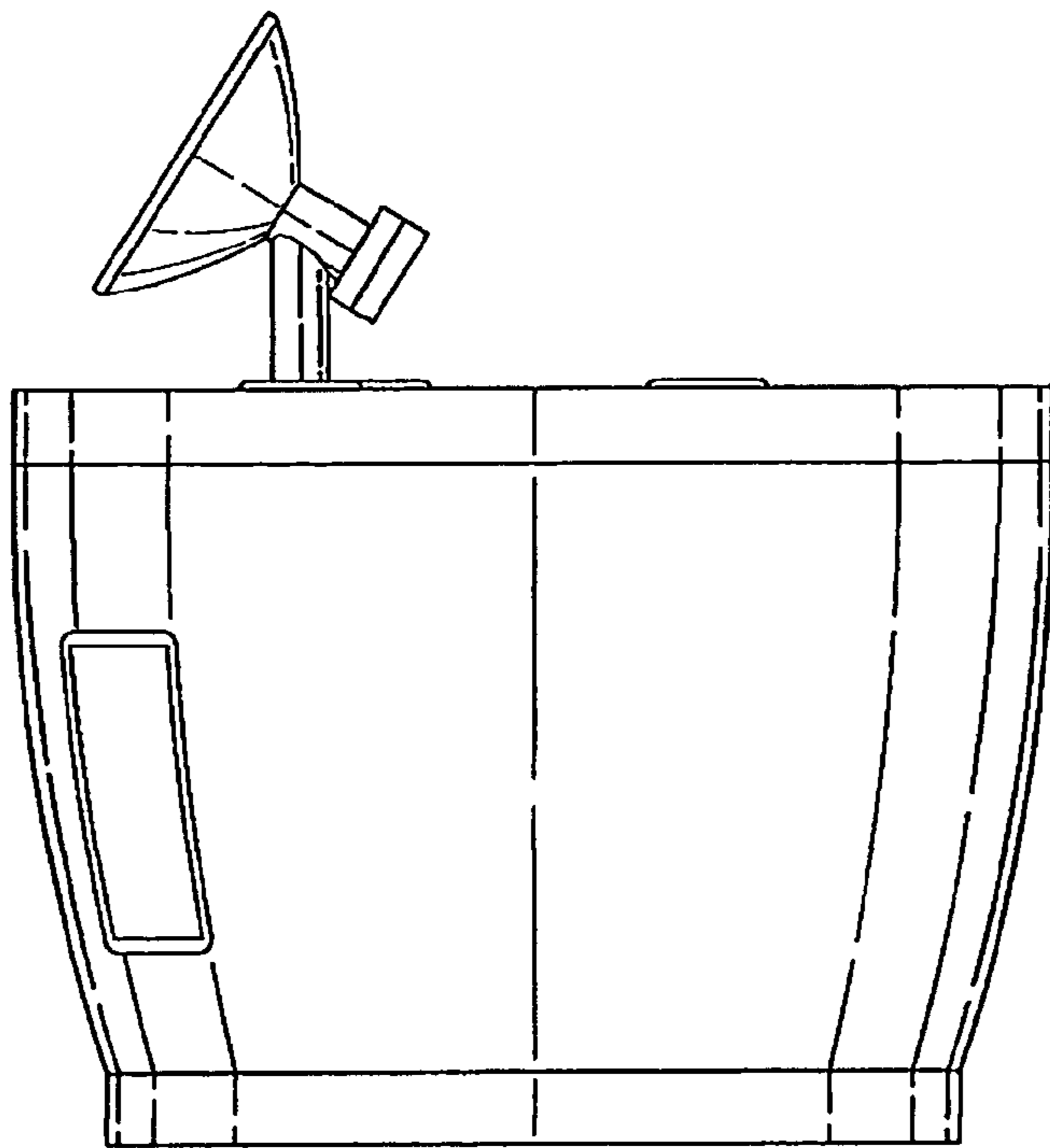


Fig.5

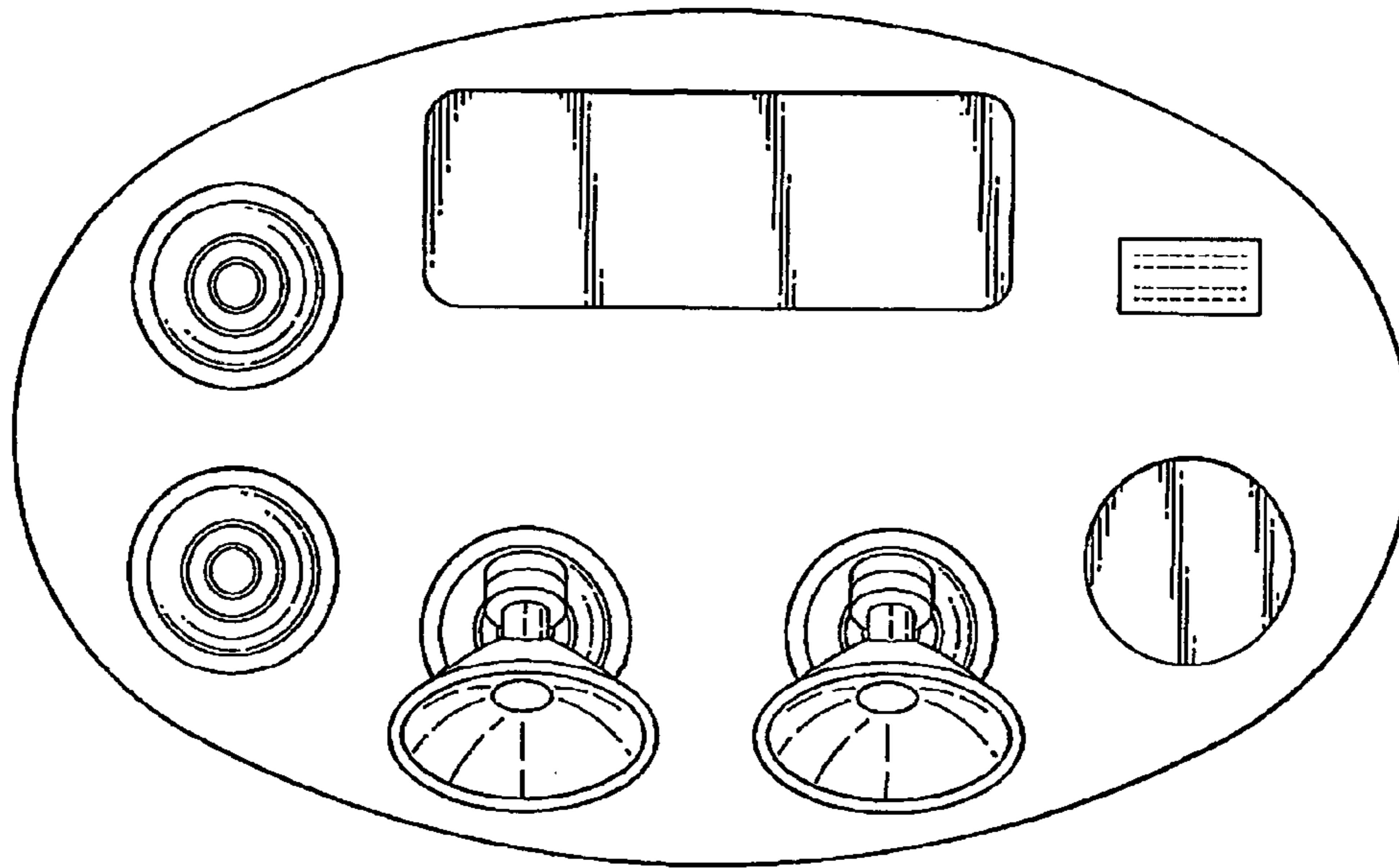


Fig. 6

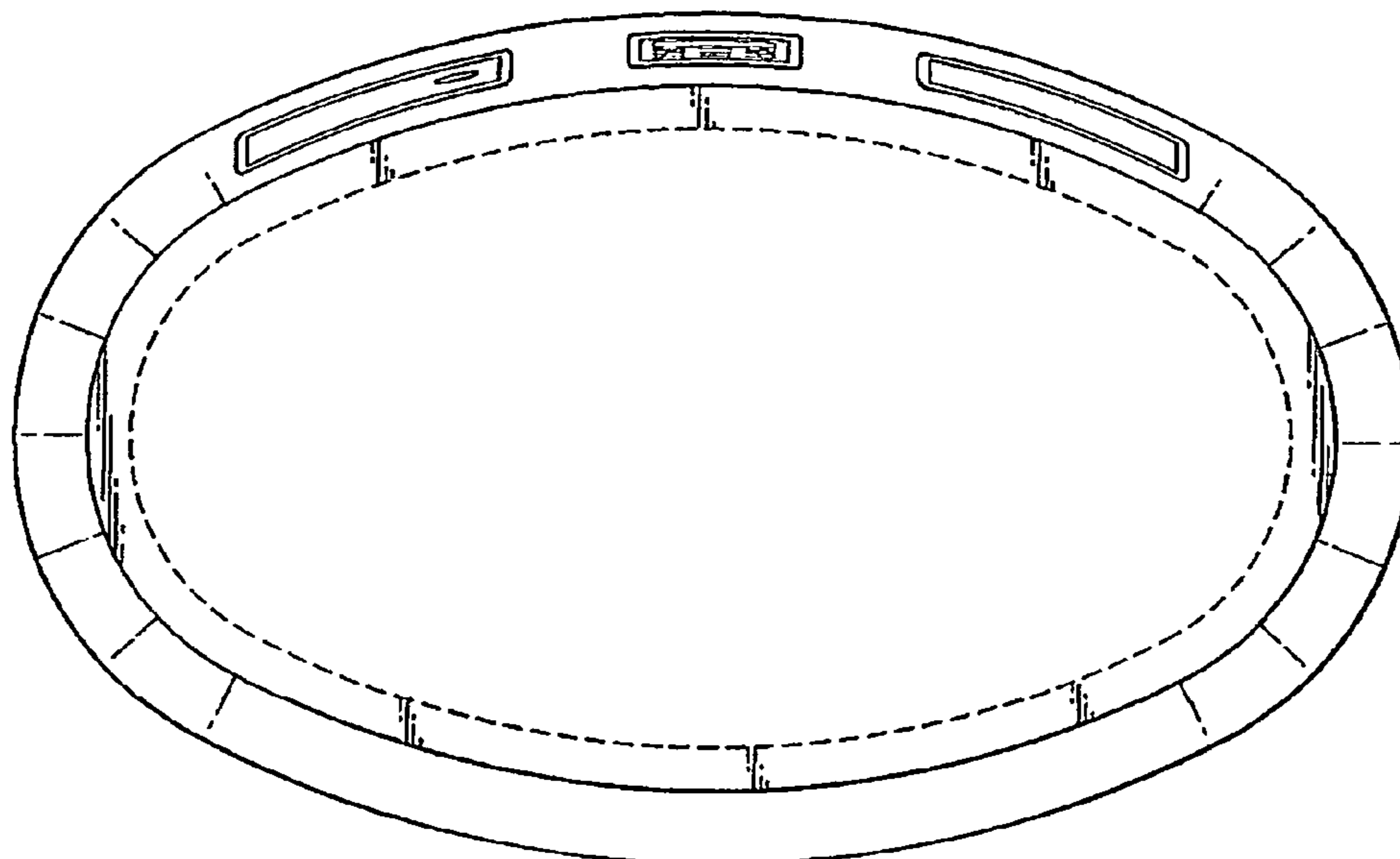


Fig. 7