



US00D681800S

(12) **United States Design Patent**  
**Hu et al.**

(10) **Patent No.:** **US D681,800 S**

(45) **Date of Patent:** **\*\* May 7, 2013**

(54) **FAN**

(71) Applicants: **Kai-Hsiang Hu**, New Taipei (TW);  
**Shi-Man Xu**, New Taipei (TW);  
**Jia-Sheng Lai**, New Taipei (TW);  
**Hai-Jun He**, New Taipei (TW)

(72) Inventors: **Kai-Hsiang Hu**, New Taipei (TW);  
**Shi-Man Xu**, New Taipei (TW);  
**Jia-Sheng Lai**, New Taipei (TW);  
**Hai-Jun He**, New Taipei (TW)

(73) Assignee: **Cooler Master Co., Ltd.**, New Taipei (TW)

(\*\*) Term: **14 Years**

(21) Appl. No.: **29/436,139**

(22) Filed: **Nov. 1, 2012**

(51) **LOC (9) Cl.** ..... **23-04**

(52) **U.S. Cl.**  
USPC ..... **D23/413**

(58) **Field of Classification Search** ..... D23/381-383,  
D23/370-379, 385-388, 393, 394, 399, 411-414,  
D23/355, 356; 454/237-253, 186, 228-236;  
52/302.1; 417/423.1, 423.14; 415/182.1,  
415/200, 90; 416/244 R, 246, 247 R; D6/309;  
D21/430, 436, 442, 447, 450, 453, 458  
See application file for complete search history.

(56) **References Cited**

U.S. PATENT DOCUMENTS

D438,609 S \* 3/2001 Colliver ..... D23/411  
D453,827 S \* 2/2002 Kuo et al. .... D23/413

D485,904 S \* 1/2004 Tsai et al. .... D23/413  
D486,572 S \* 2/2004 Chen et al. .... D23/413  
6,877,958 B2 \* 4/2005 Lin et al. .... 416/228  
D509,584 S \* 9/2005 Li et al. .... D23/413  
D511,824 S \* 11/2005 Chen et al. .... D23/370  
D558,324 S \* 12/2007 Hong ..... D23/379  
D561,888 S \* 2/2008 Yang et al. .... D23/379  
D571,000 S \* 6/2008 Bei et al. .... D23/413  
D594,955 S \* 6/2009 Noda ..... D23/370  
D645,134 S \* 9/2011 Lee et al. .... D23/411  
D670,803 S \* 11/2012 Spaggiari ..... D23/413

\* cited by examiner

*Primary Examiner* — Robert M Spear

*Assistant Examiner* — Janice Hallmark

(74) *Attorney, Agent, or Firm* — Chun-Ming Shih; HDLS IPR Services

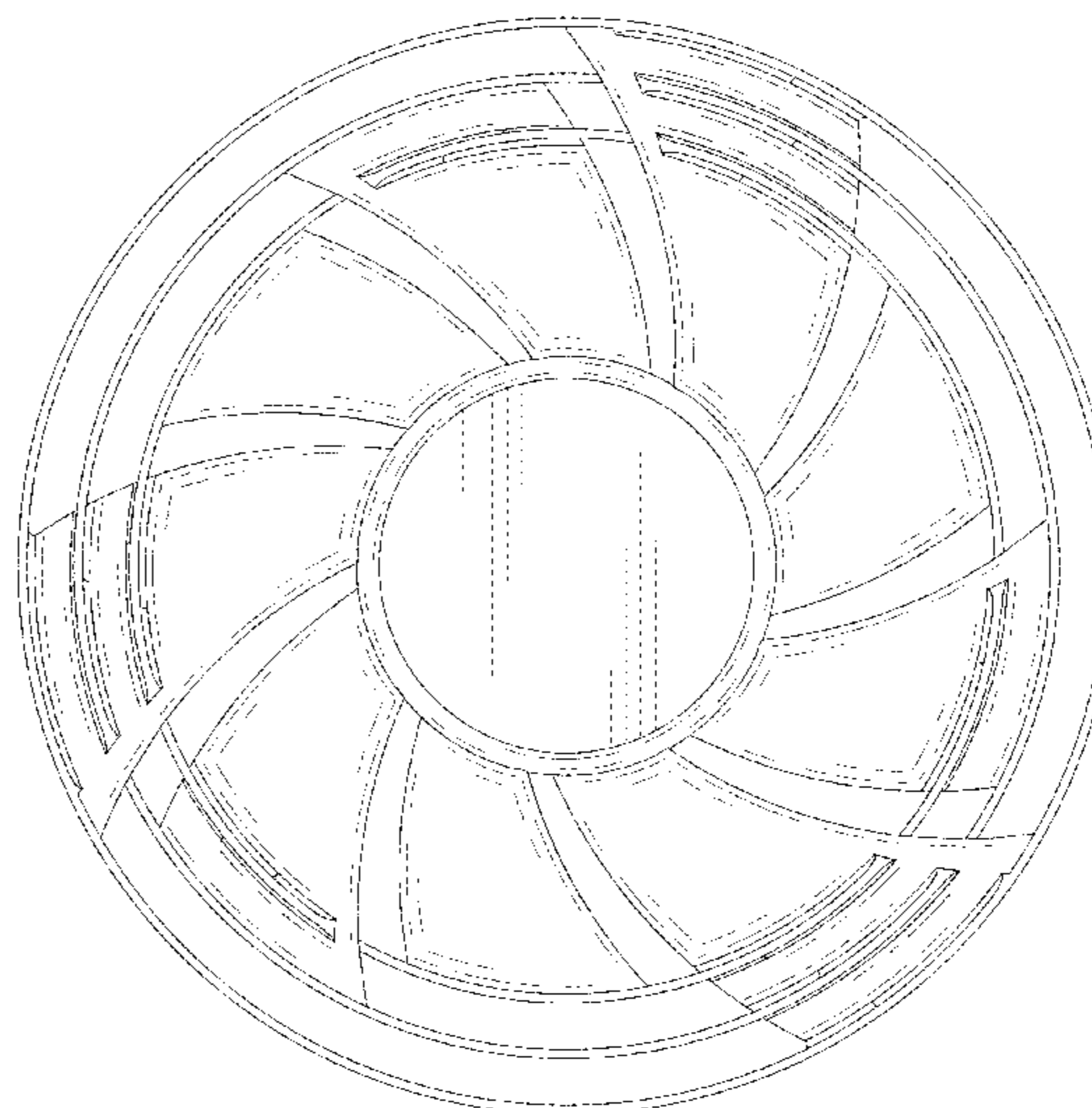
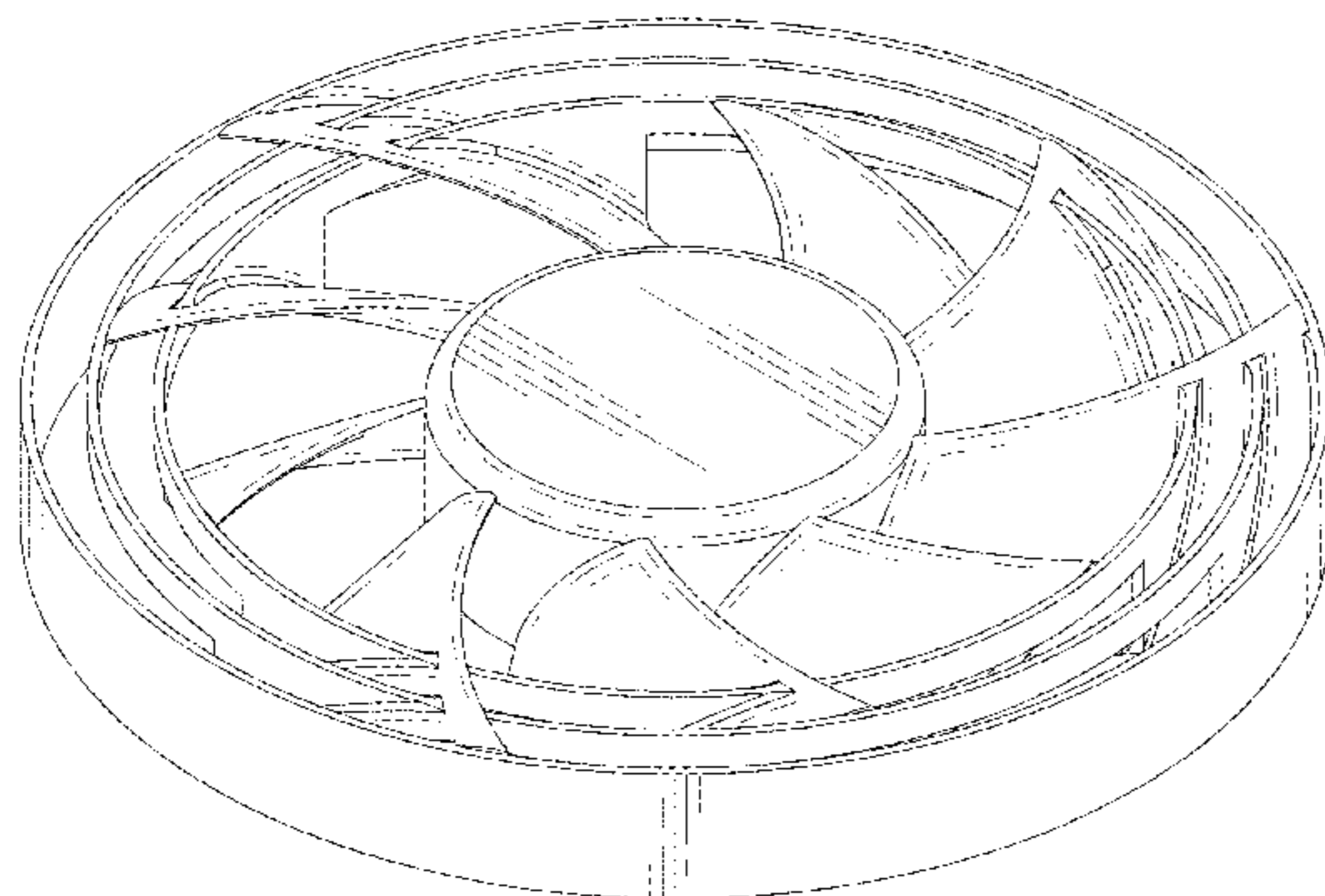
(57) **CLAIM**

The ornamental design for a fan, as shown and described.

**DESCRIPTION**

FIG. 1 is a perspective view of a fan showing my new design;  
FIG. 2 is a front view thereof;  
FIG. 3 is a rear view thereof;  
FIG. 4 is a left side view thereof;  
FIG. 5 is a right side view thereof;  
FIG. 6 is a top view thereof;  
FIG. 7 is a bottom view thereof; and,  
FIG. 8 is another perspective view showing the fan.

**1 Claim, 6 Drawing Sheets**



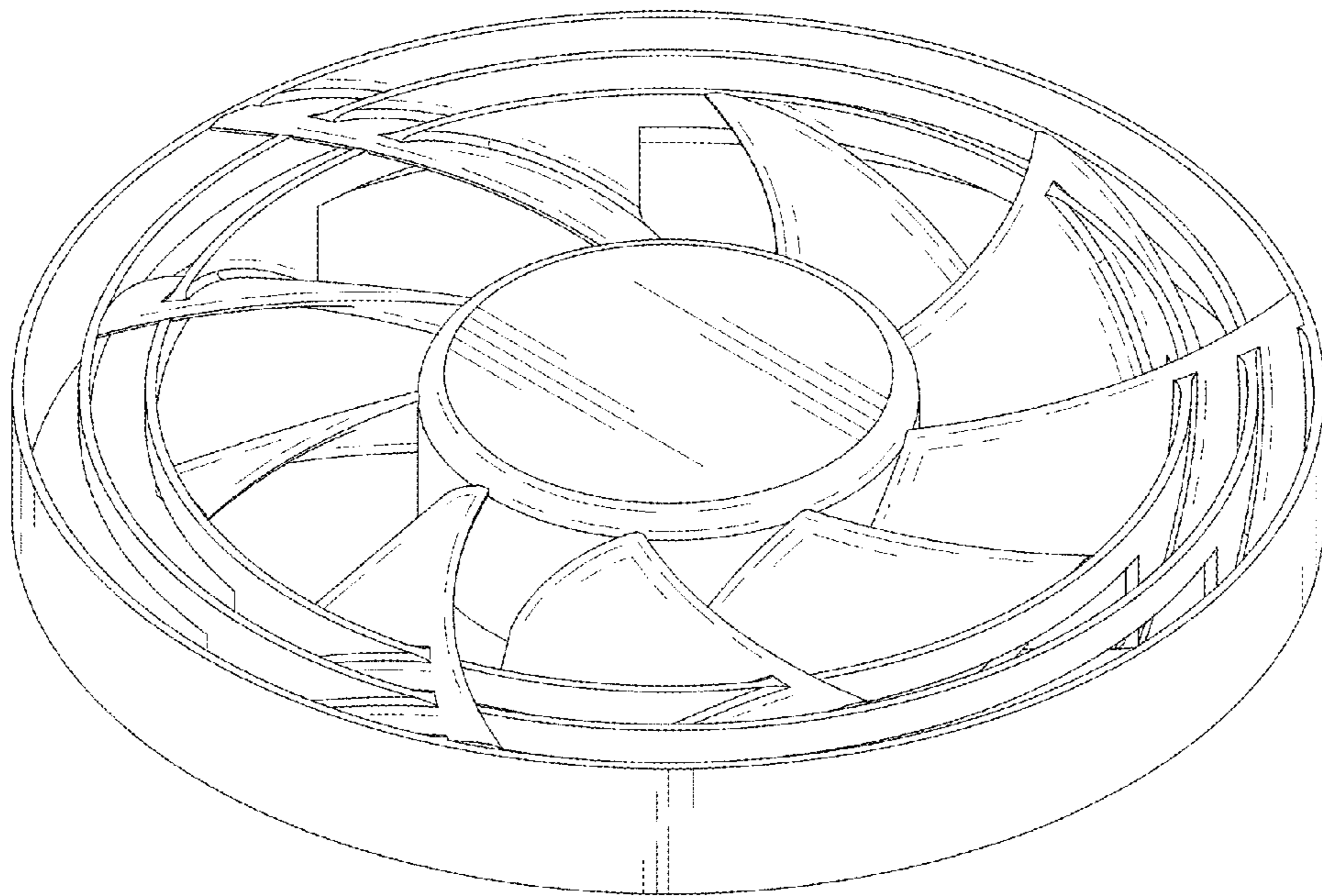


FIG.1

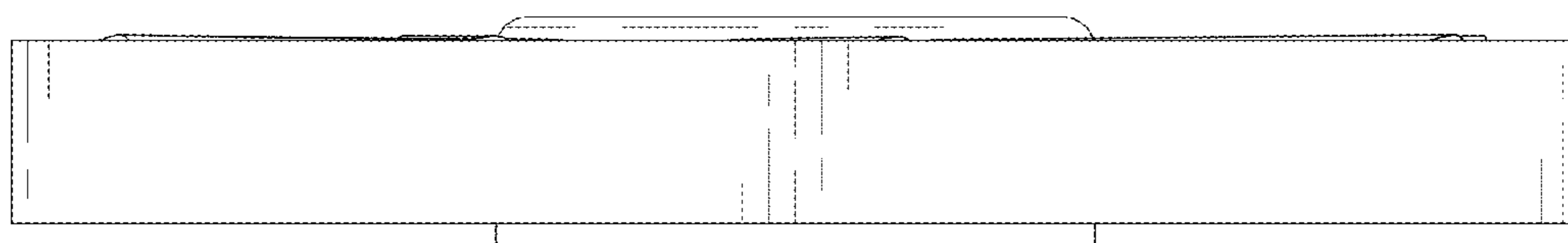


FIG. 2

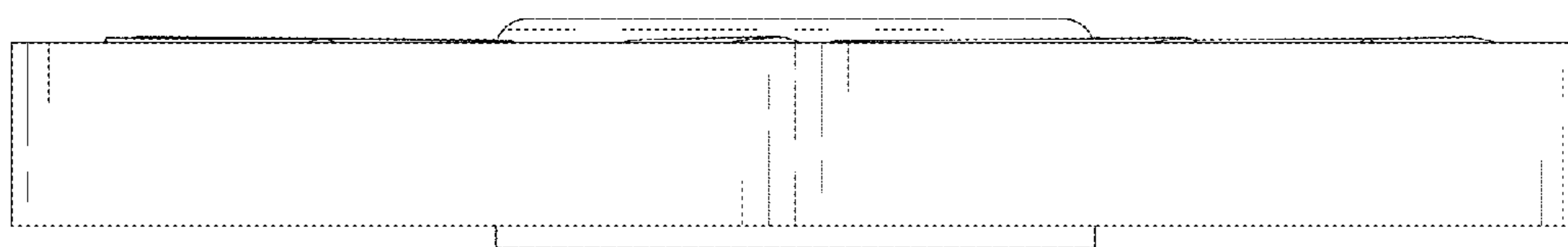


FIG. 3

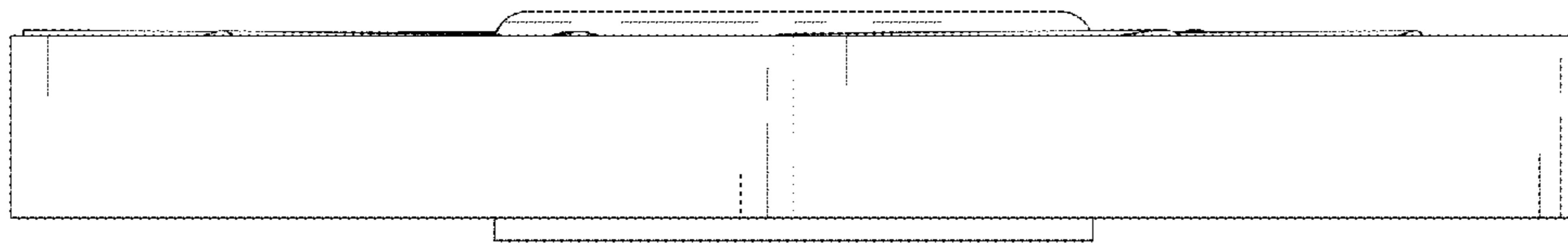


FIG.4

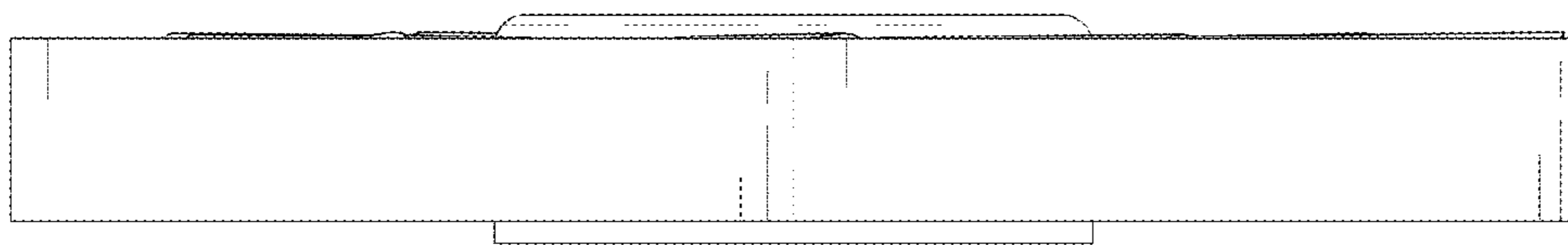


FIG.5

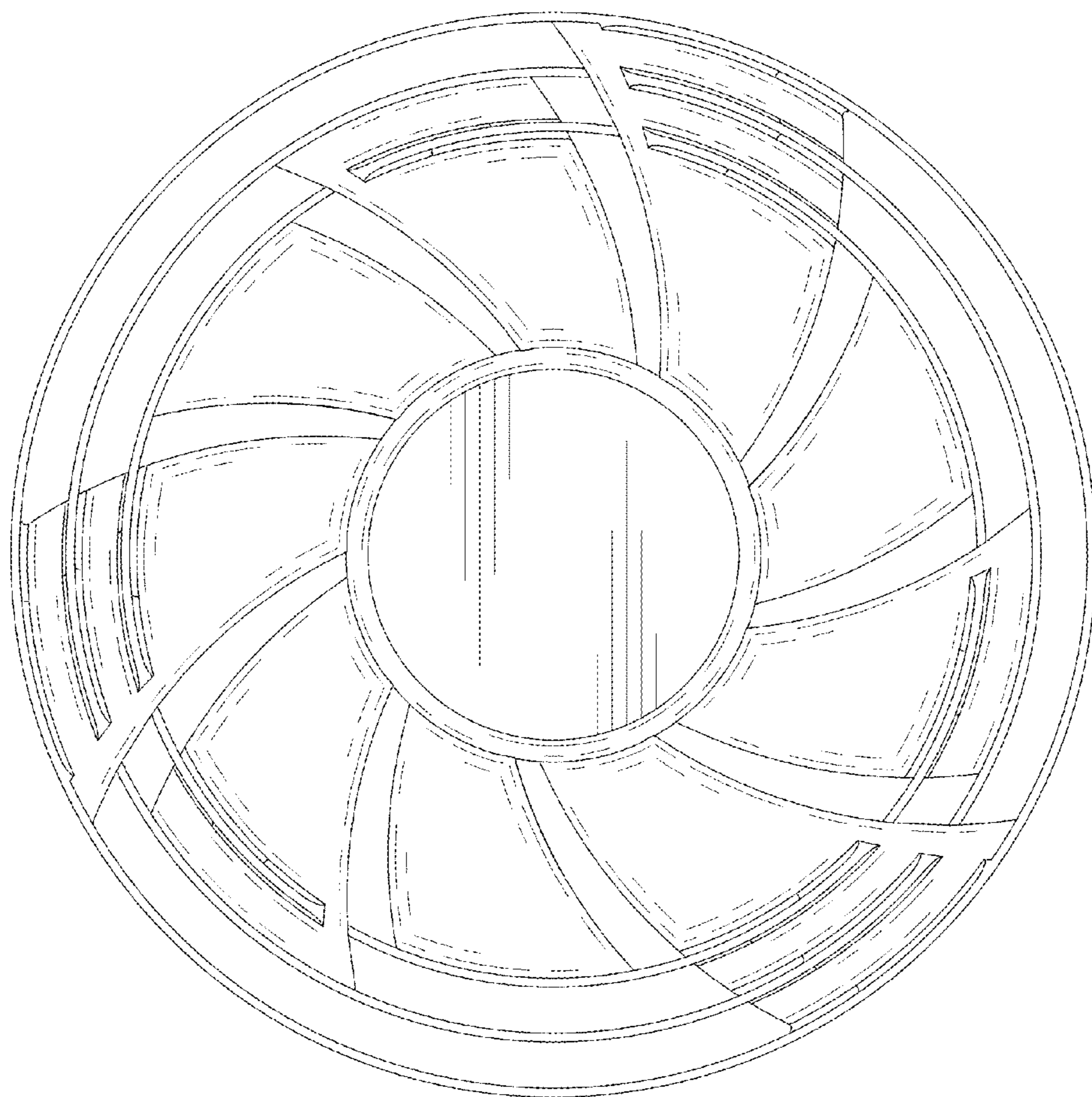


FIG.6

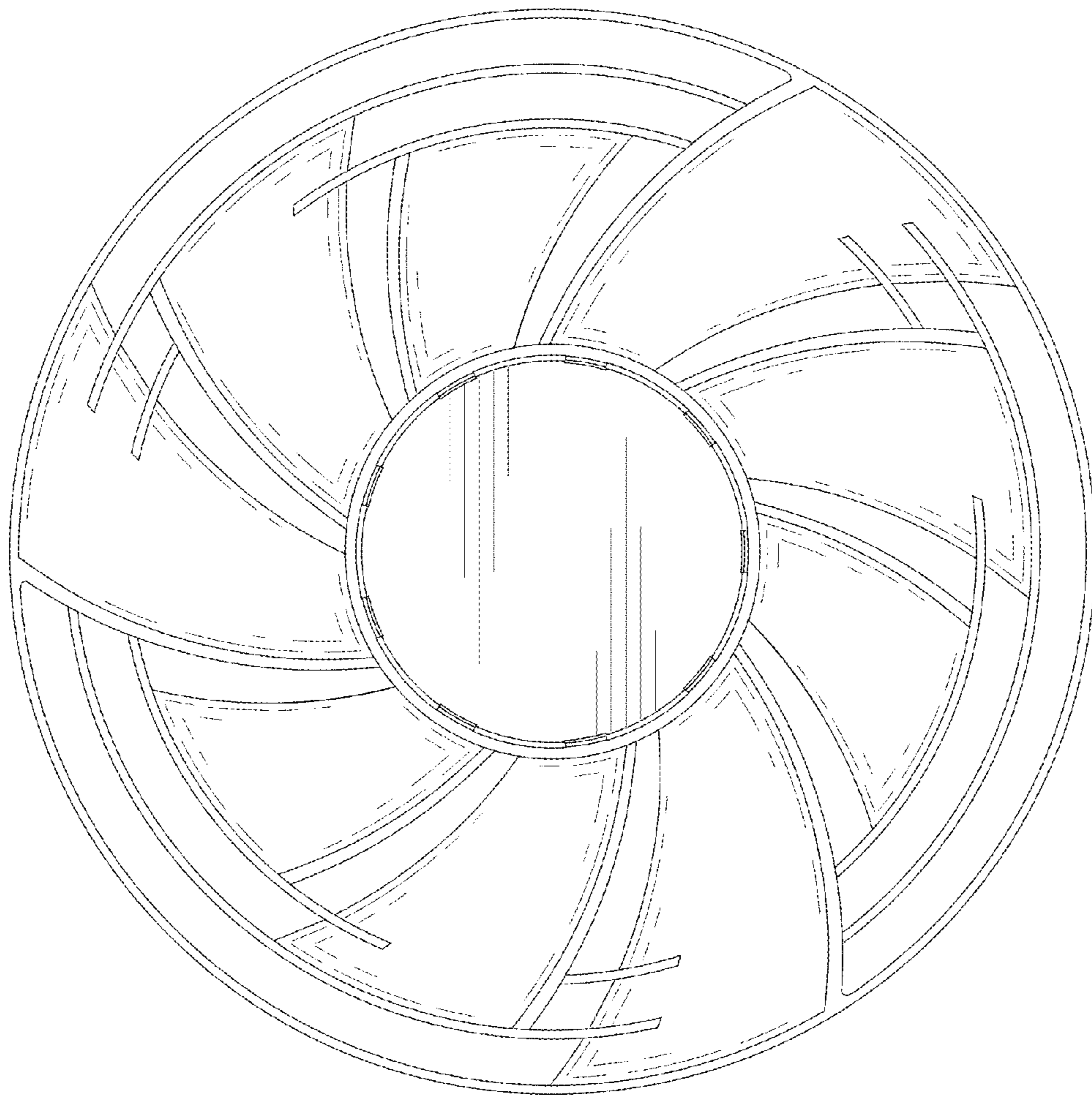


FIG. 7

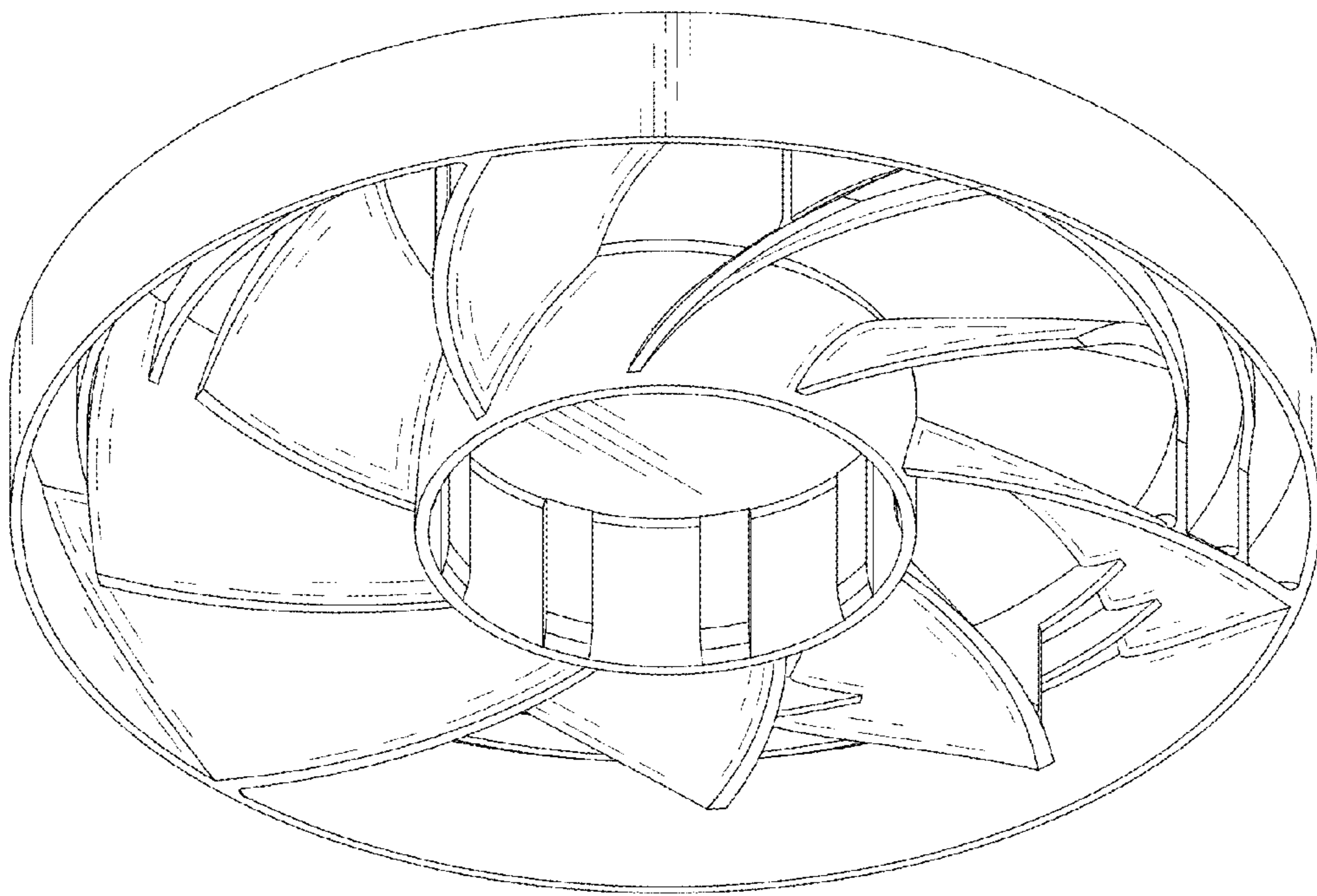


FIG.8