



US00D681798S

(12) **United States Design Patent**
Nagasaka et al.

(10) **Patent No.:** **US D681,798 S**

(45) **Date of Patent:** **** May 7, 2013**

(54) **SHOCK ABSORBING DAMPER**

(75) Inventors: **Satoshi Nagasaka**, Tokyo (JP); **Keigo Ozaki**, Tokyo (JP); **Tatsuya Kitada**, Tokyo (JP)

(73) Assignee: **Kabushiki Kaisha Somic Ishikawa**, Tokyo (JP)

(**) Term: **14 Years**

(21) Appl. No.: **29/403,441**

(22) Filed: **Oct. 6, 2011**

(30) **Foreign Application Priority Data**

Apr. 11, 2011 (JP) 2011-008291

(51) **LOC (9) Cl.** **23-04**

(52) **U.S. Cl.**
USPC **D23/393**

(58) **Field of Classification Search** D23/385–395,
D23/397, 370–373, 365, 351, 354, 399–403,
D23/421, 499, 262, 269; 454/309, 275–277,
454/284, 287–291, 358–363; 52/302.1, 32.07;
55/306, 502

See application file for complete search history.

(56) **References Cited**

U.S. PATENT DOCUMENTS

5,106,397 A * 4/1992 Jaroszczyk et al. 55/306
D327,540 S * 6/1992 Vogelzang D23/392
D336,952 S * 6/1993 Raneo D23/393
D338,262 S * 8/1993 Oliphant et al. D23/370
D401,684 S * 11/1998 Shelton et al. D23/365
D403,059 S * 12/1998 Flor et al. D23/365
D449,678 S * 10/2001 Ng-Gee-Quan D23/365
7,156,890 B1 * 1/2007 Thompson et al. 55/502

D544,090 S * 6/2007 Tomasiak D23/388
D590,933 S * 4/2009 Vansell et al. D23/393
D599,894 S * 9/2009 Price et al. D23/262
D650,050 S * 12/2011 Berghuijs D23/262
D655,795 S * 3/2012 DeWitt et al. D23/269

* cited by examiner

Primary Examiner — David Muller

(74) *Attorney, Agent, or Firm* — Cozen O'Connor

(57) **CLAIM**

I claim the ornamental design for a shock absorbing damper, as shown and described.

DESCRIPTION

FIG. 1 illustrates a sectional view of a shock absorbing damper taken along line I-I of FIG. 5 showing the new design; FIG. 2 illustrates a back view of the shock absorbing damper of FIG. 1;

FIG. 3 illustrates a bottom view of the shock absorbing damper of FIG. 1;

FIG. 4 illustrates a front view of the shock absorbing damper of FIG. 1;

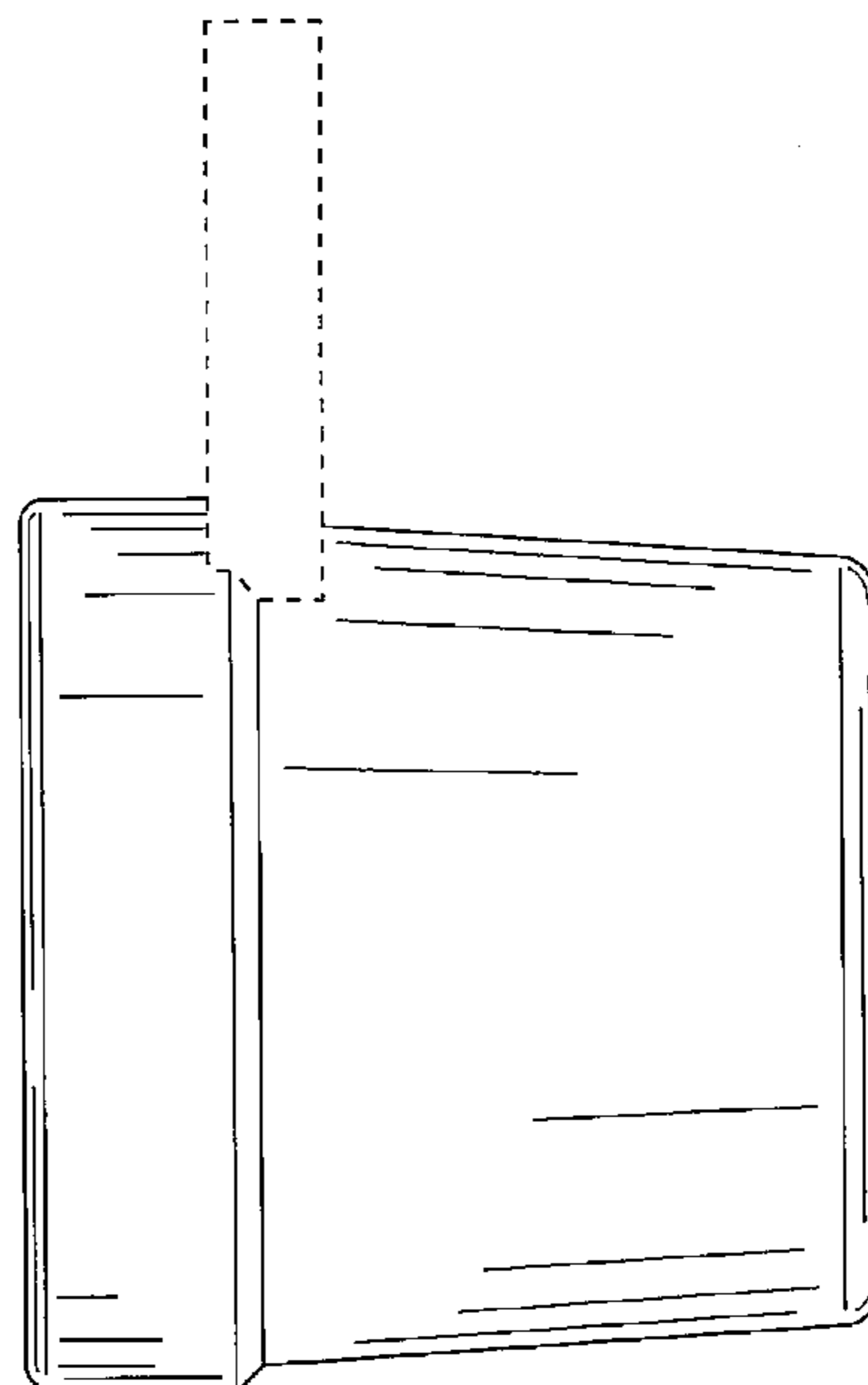
FIG. 5 illustrates a left side view of the shock absorbing damper of FIG. 1;

FIG. 6 illustrates a plan view of the shock absorbing damper of FIG. 1; and,

FIG. 7 illustrates a right side view of the shock absorbing damper of FIG. 1.

The dash dot lines immediately adjacent to the claimed areas in FIGS. 1 and 4 represent the boundaries of the claimed design. The dashed lines in the figures illustrate the portions of the design that form no part of the claimed design. None of the broken lines form any part of the claimed design.

1 Claim, 7 Drawing Sheets



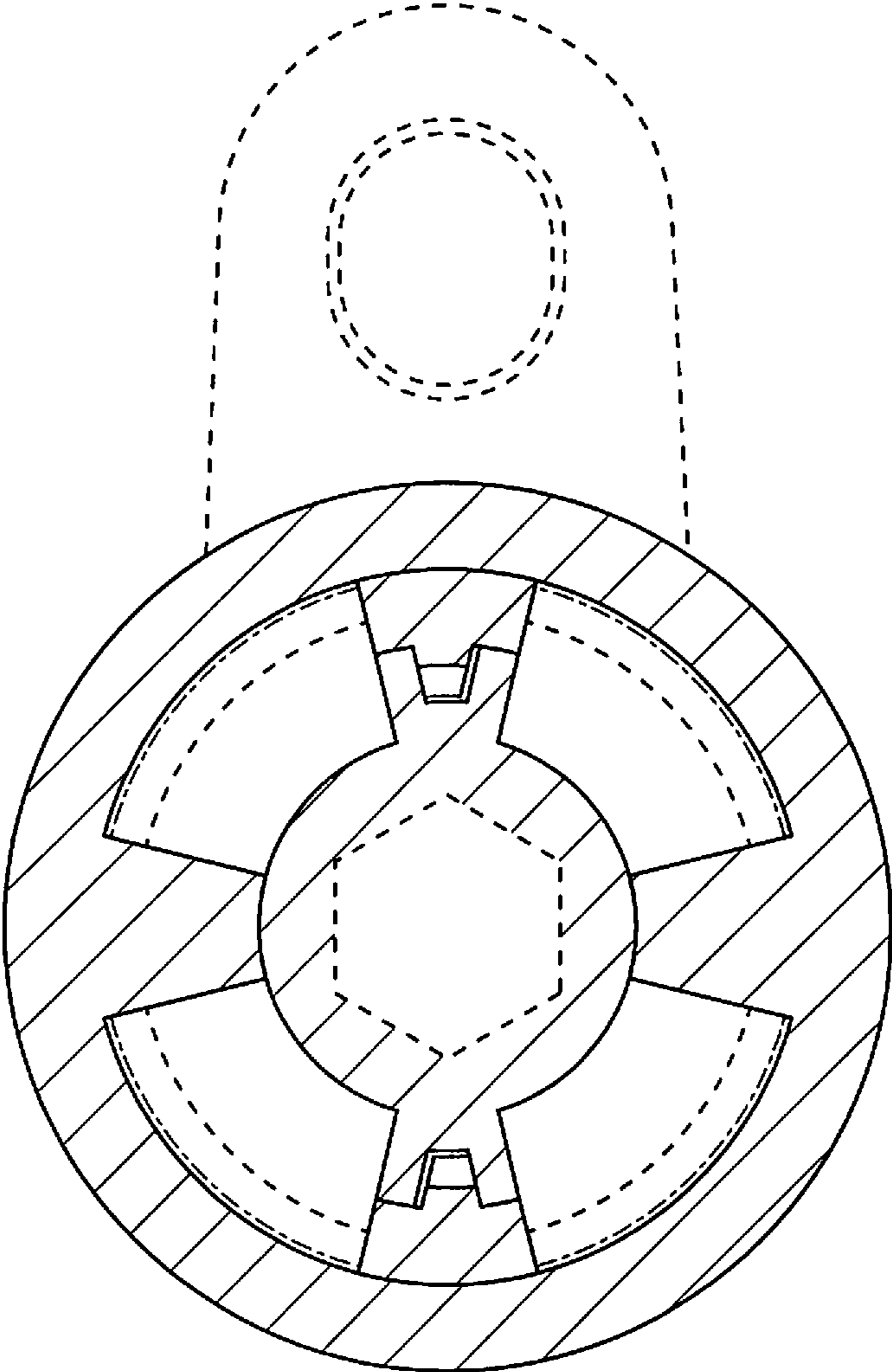


FIG. 1

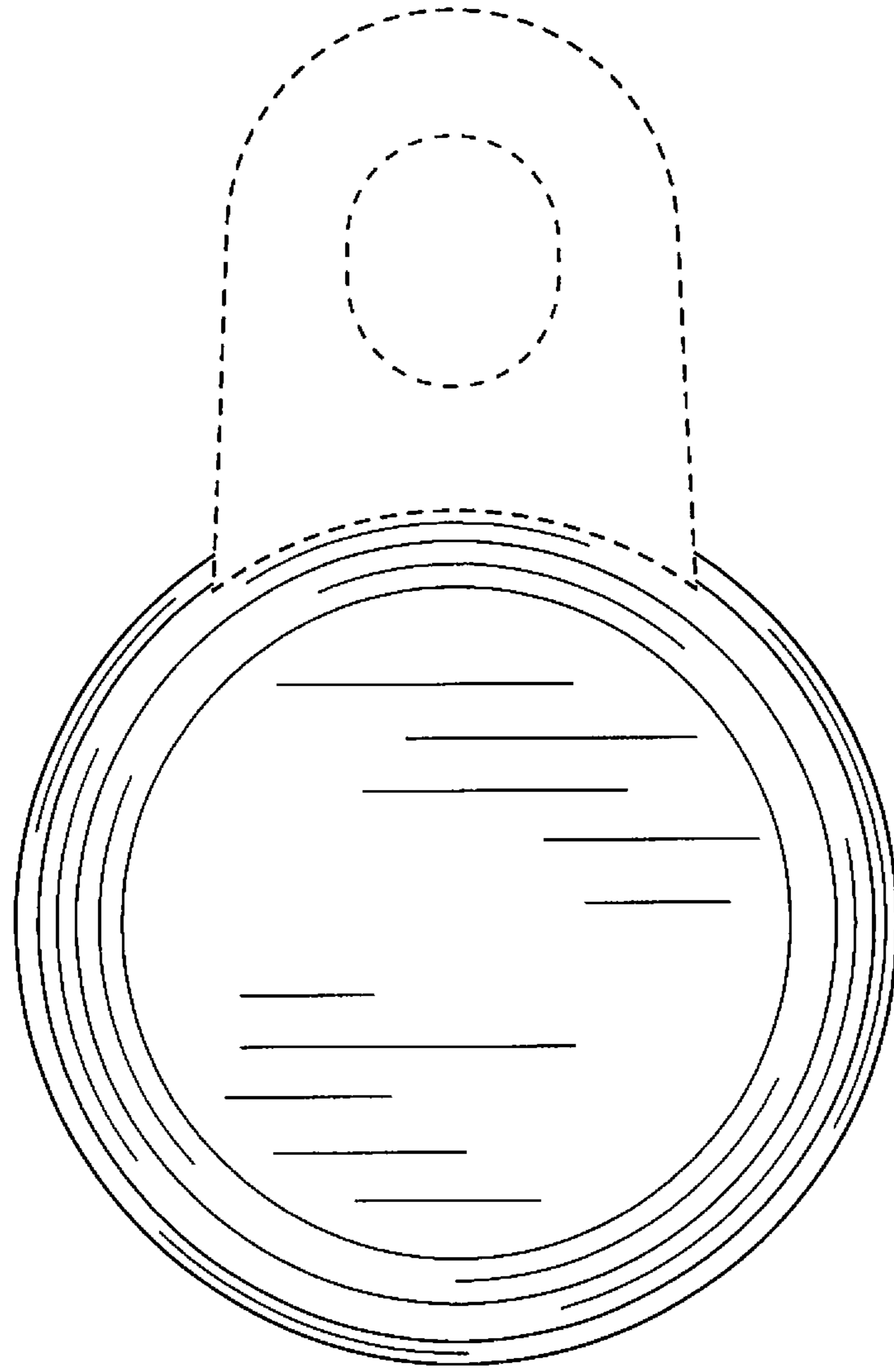


FIG. 2

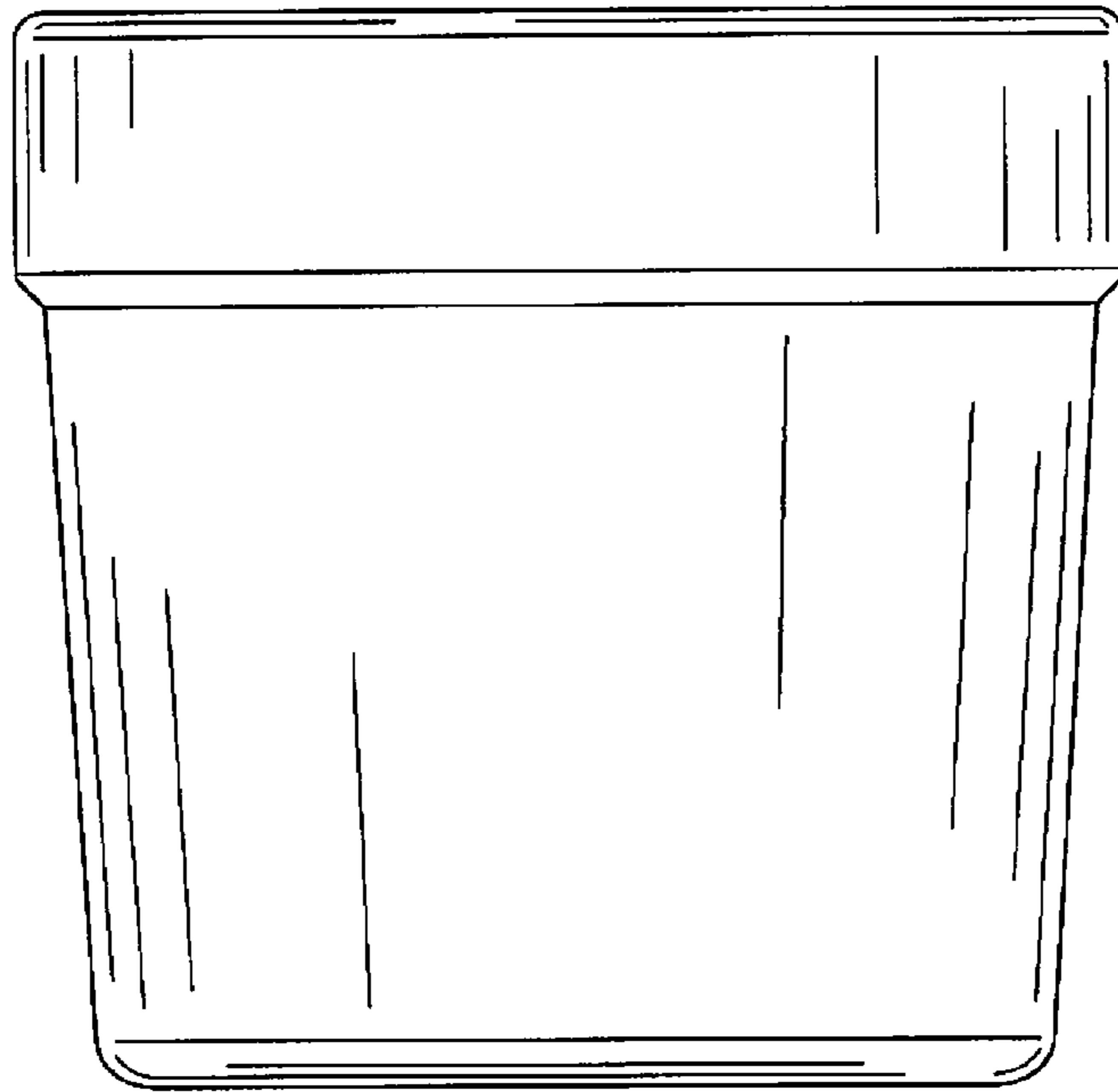


FIG. 3

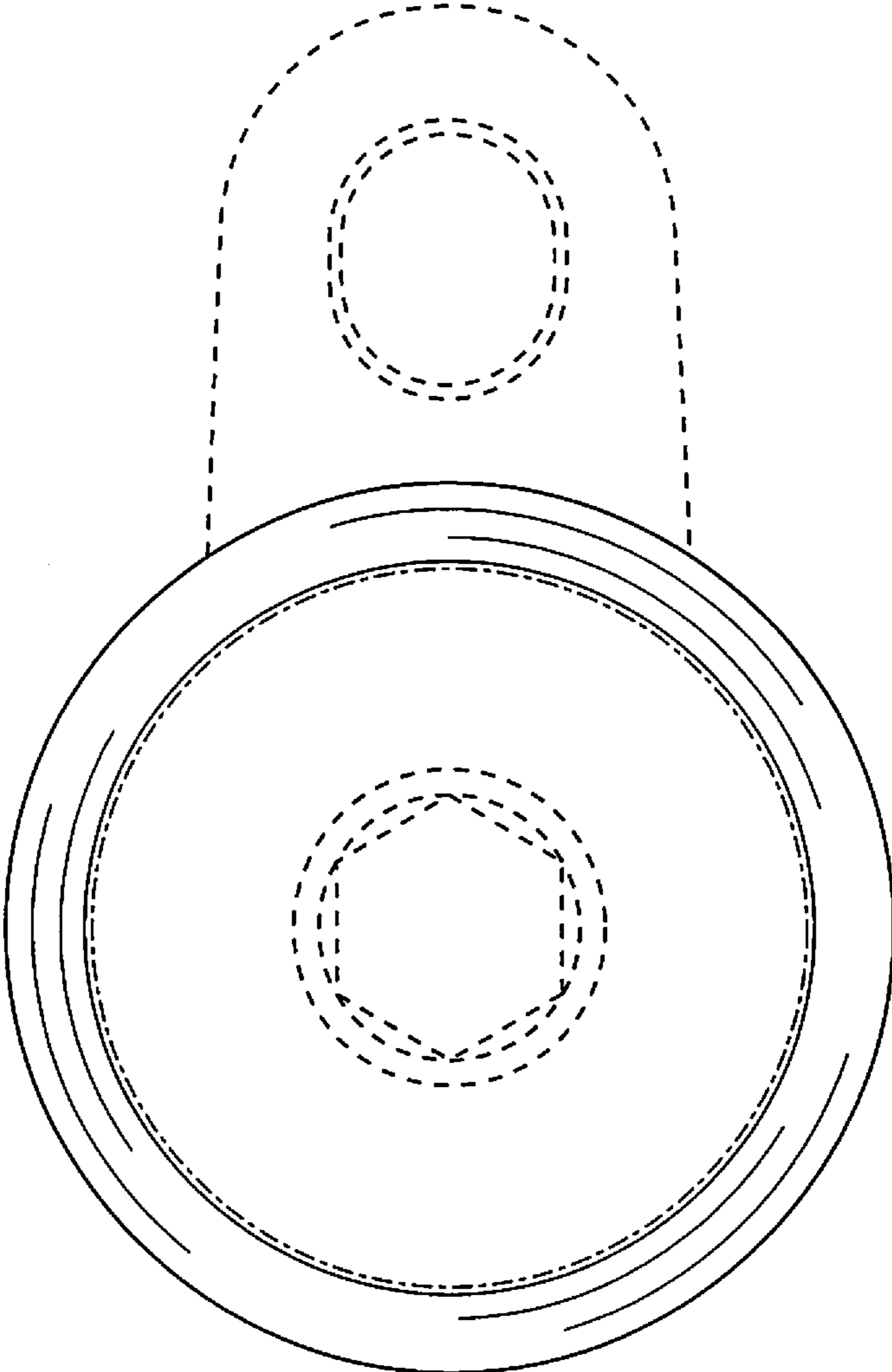


FIG. 4

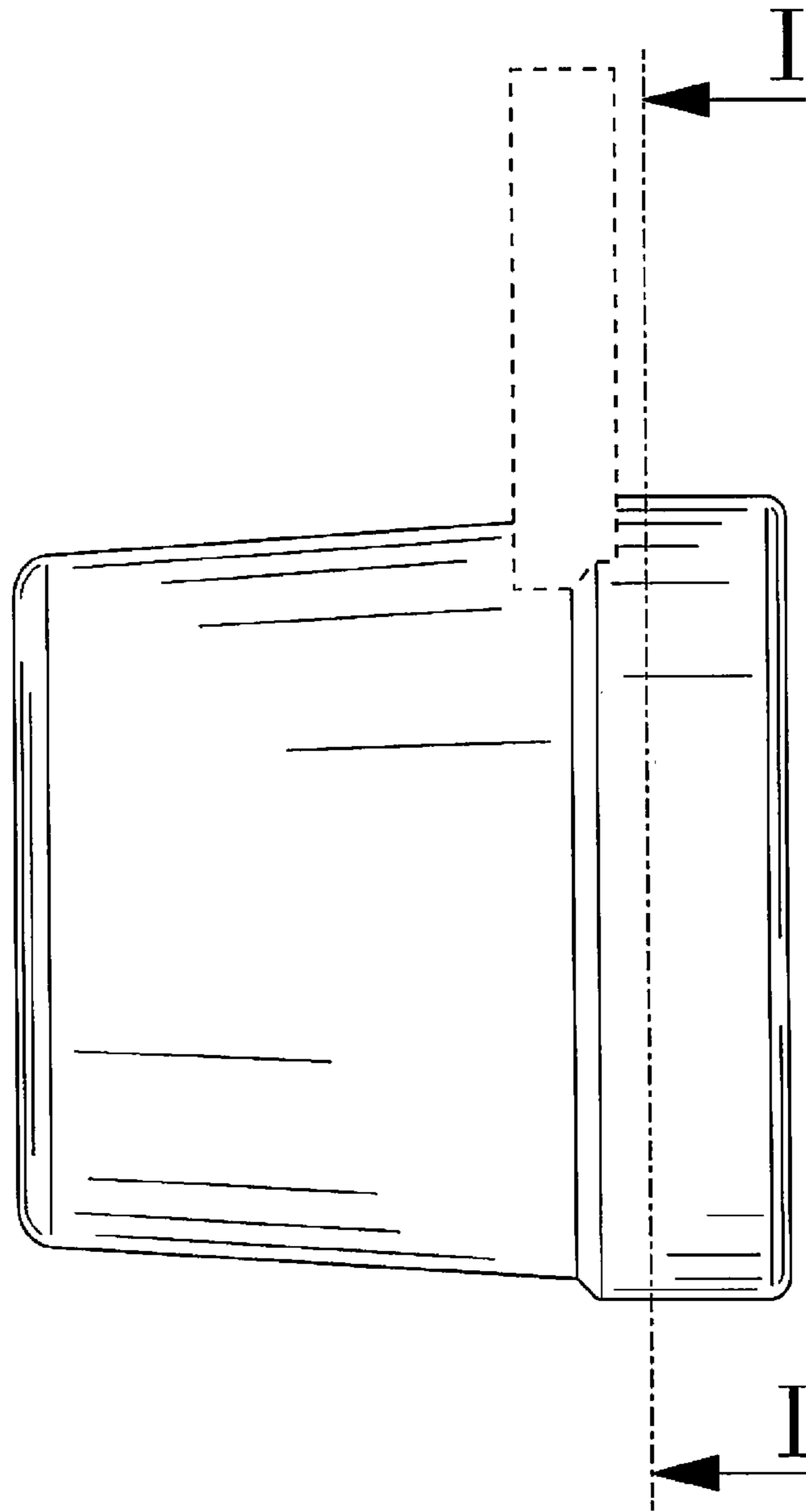


FIG. 5

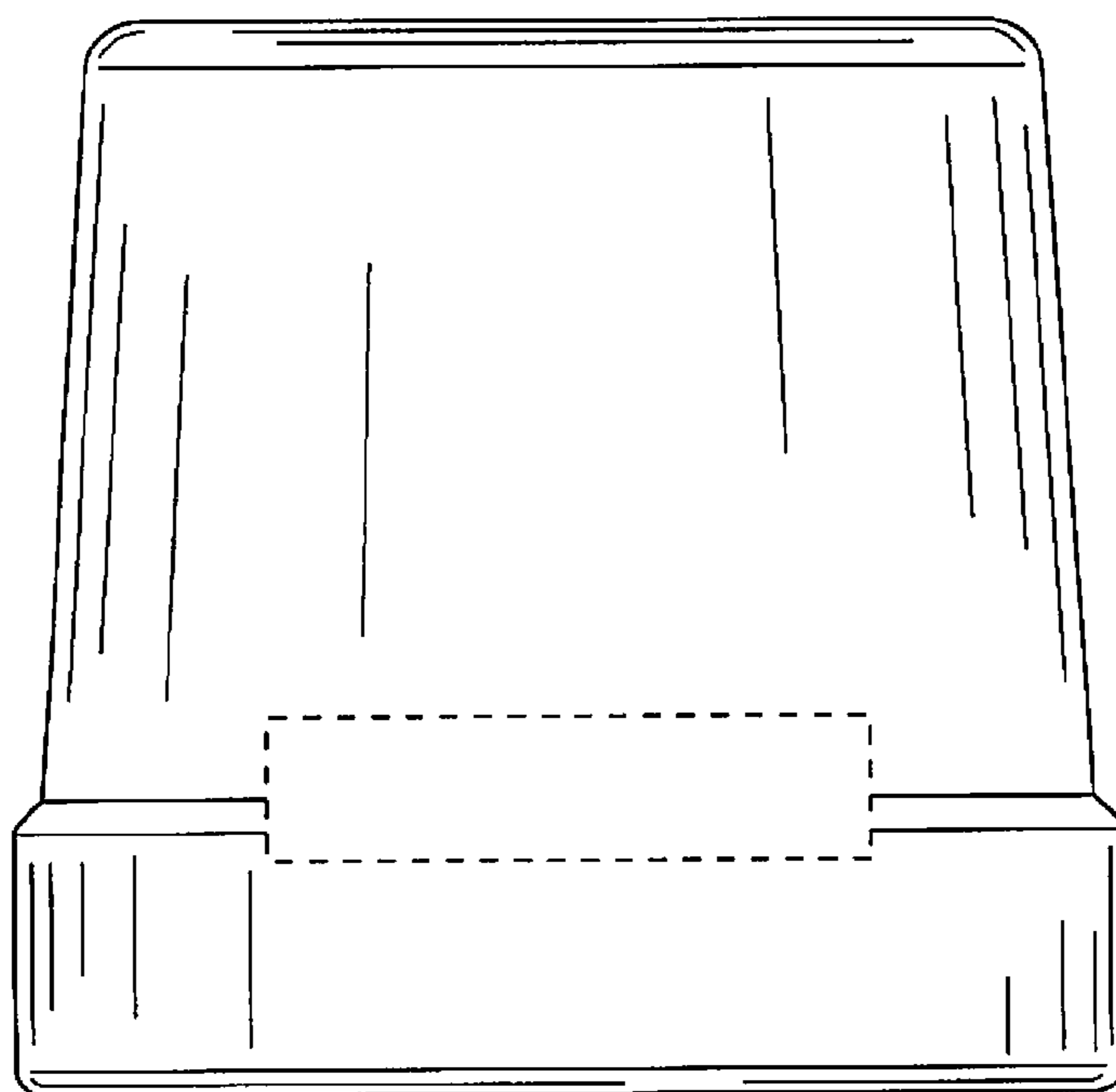


FIG. 6

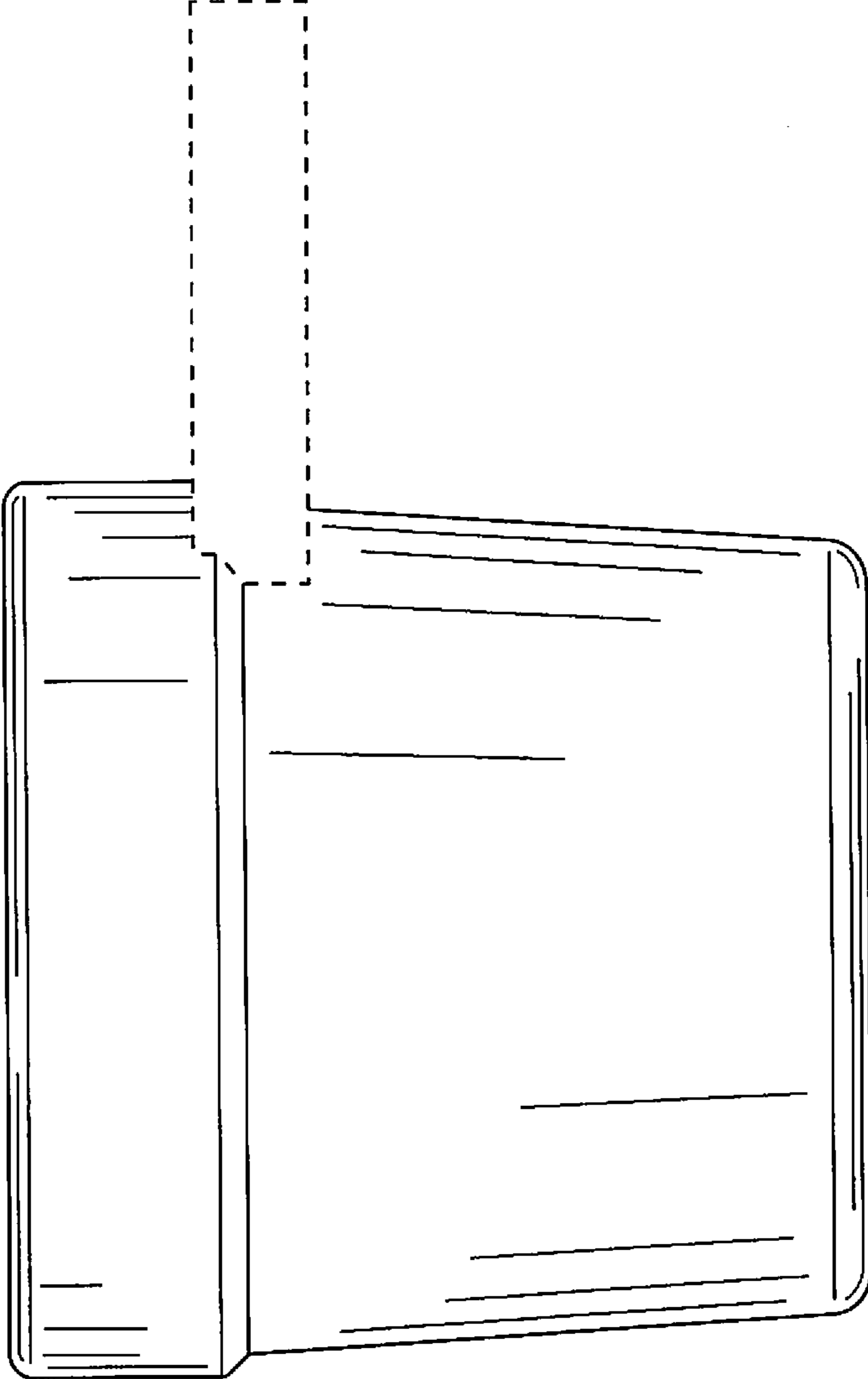


FIG. 7