



US00D681797S

(12) **United States Design Patent**
Gustafsson et al.

(10) **Patent No.:** **US D681,797 S**

(45) **Date of Patent:** **** May 7, 2013**

(54) **VENTILATION DUCT JOINT**

(75) Inventors: **Johan Gustafsson**, Umeå (SE); **Lars Hedlund**, Skellefteå (SE)

(73) Assignee: **Fumex AB**, Skelleftea (SE)

(**) Term: **14 Years**

(21) Appl. No.: **29/387,162**

(22) Filed: **Mar. 9, 2011**

(30) **Foreign Application Priority Data**

Sep. 10, 2010 (EM) 001753237

(51) **LOC (9) Cl.** **23-04**

(52) **U.S. Cl.**
USPC **D23/393**

(58) **Field of Classification Search** D23/370,
D23/383, 371, 385-388, 390-391, 393, 263,
D23/364; 165/152; 415/126; 454/349, 354-355;
484/349

See application file for complete search history.

(56) **References Cited**

U.S. PATENT DOCUMENTS

D239,939	S	*	5/1976	Whitbread	D23/393
D273,702	S	*	5/1984	Widerby et al.	D23/393
D315,949	S	*	4/1991	Sello	D23/393
D394,101	S	*	5/1998	Hayashi et al.	D23/370
5,879,232	A	*	3/1999	Luteret al.	454/349

6,890,149	B2	*	5/2005	Metz et al.	415/126
D510,995	S	*	10/2005	Tam	D23/383
D527,091	S	*	8/2006	Stout, Jr.	D23/393
D537,517	S	*	2/2007	Hancock	D23/383
D568,459	S	*	5/2008	Wang	D23/383
D579,100	S	*	10/2008	Lin	D23/383
8,197,193	B2	*	6/2012	Messmer	415/126
2003/0035735	A1	*	2/2003	Wang et al.	417/234

* cited by examiner

Primary Examiner — Cathy A MacCormac

(74) *Attorney, Agent, or Firm* — Renner, Otto, Boisselle & Sklar, LLP

(57) **CLAIM**

The ornamental design for ventilation duct joint, as shown and described.

DESCRIPTION

FIG. 1 is a perspective view of ventilation duct joint showing our design according to a first embodiment;
FIG. 2 is a front view thereof;
FIG. 3 is a rear view thereof;
FIG. 4 is a top view thereof;
FIG. 5 is a bottom view thereof;
FIG. 6 is a left side view thereof; and,
FIG. 7 is a right side view thereof.

The broken lines shown herein are for illustrative purposes only and form no part of the claimed design.

1 Claim, 7 Drawing Sheets

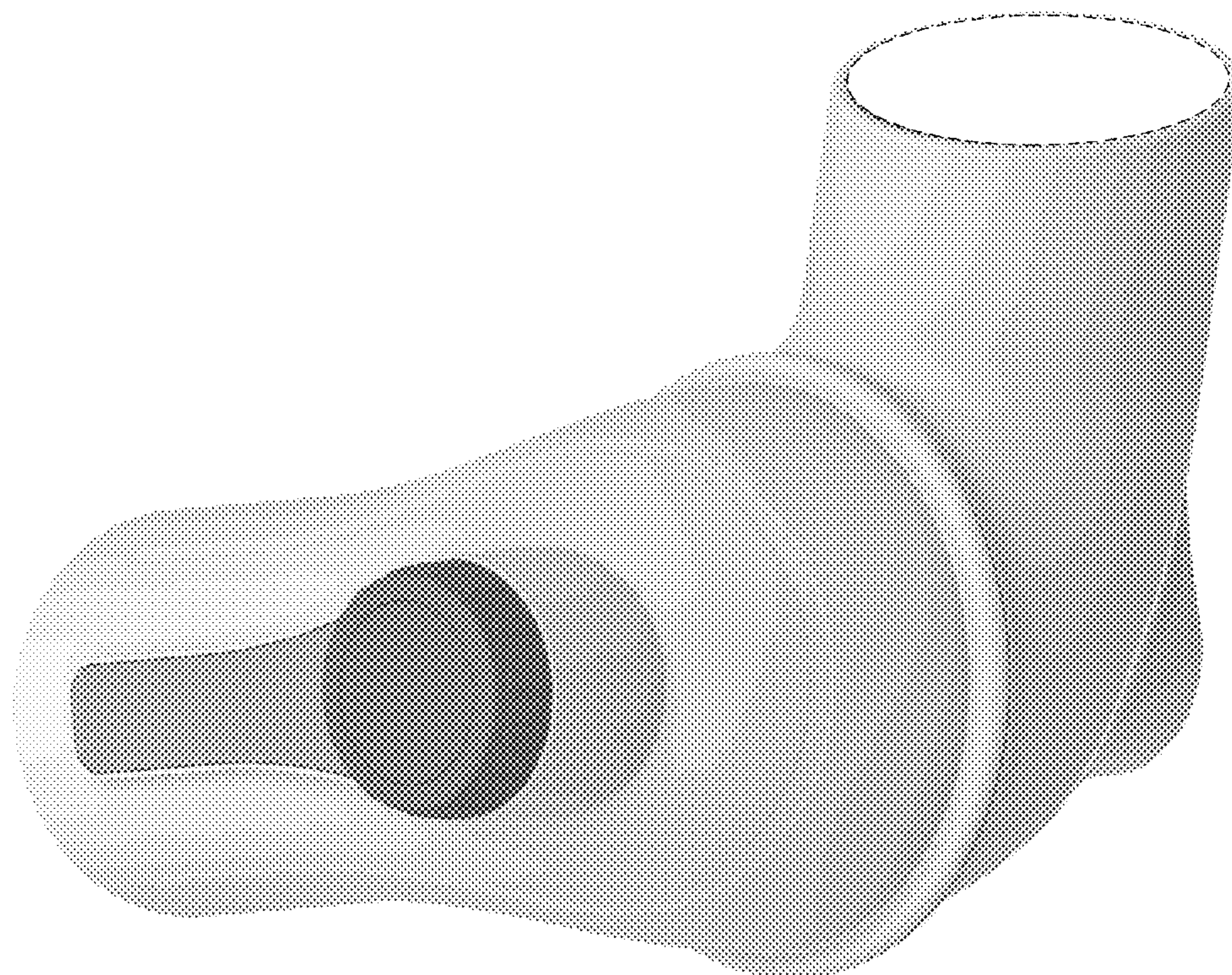




FIG. 1

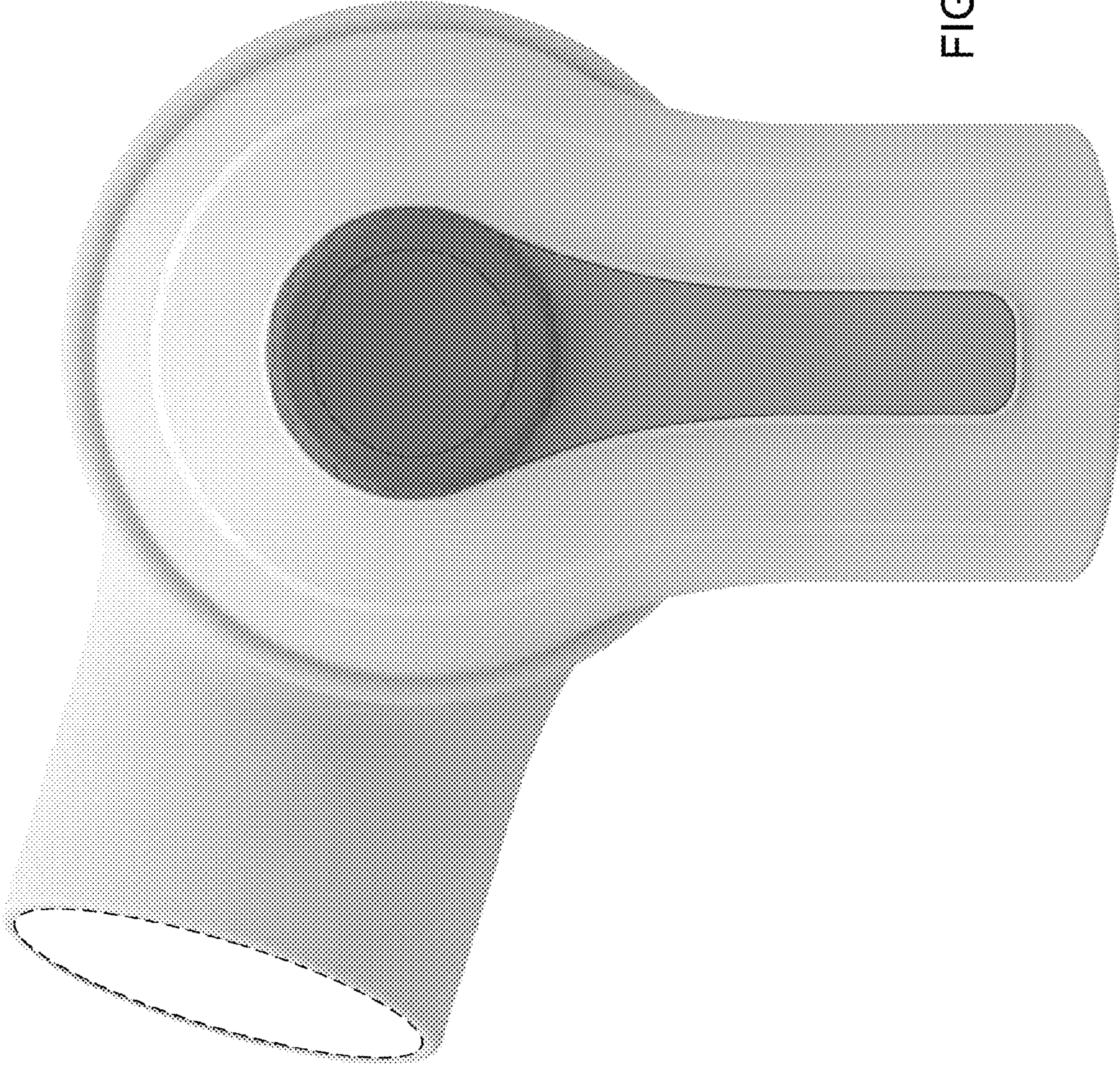


FIG. 2

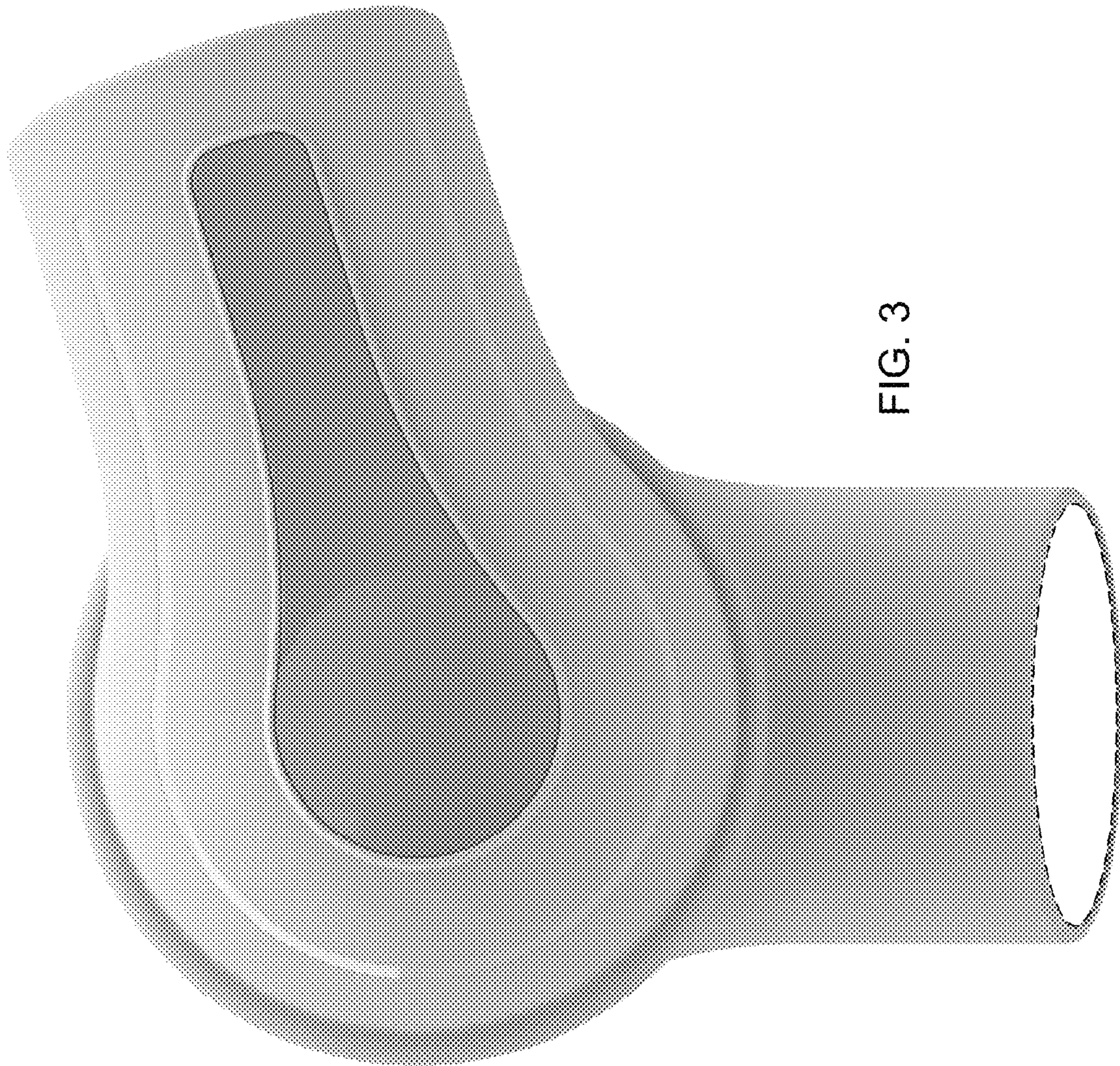


FIG. 3

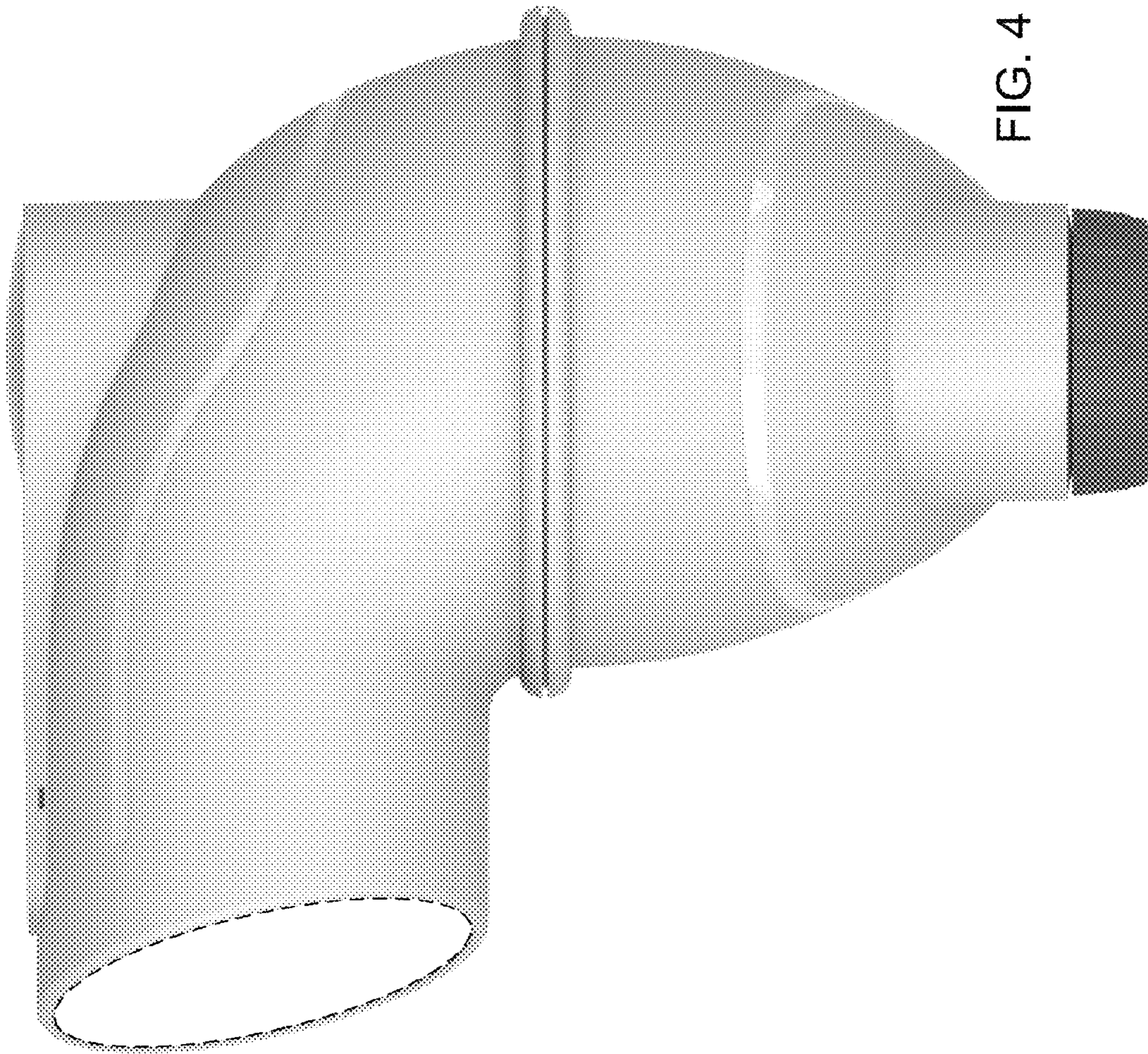


FIG. 4

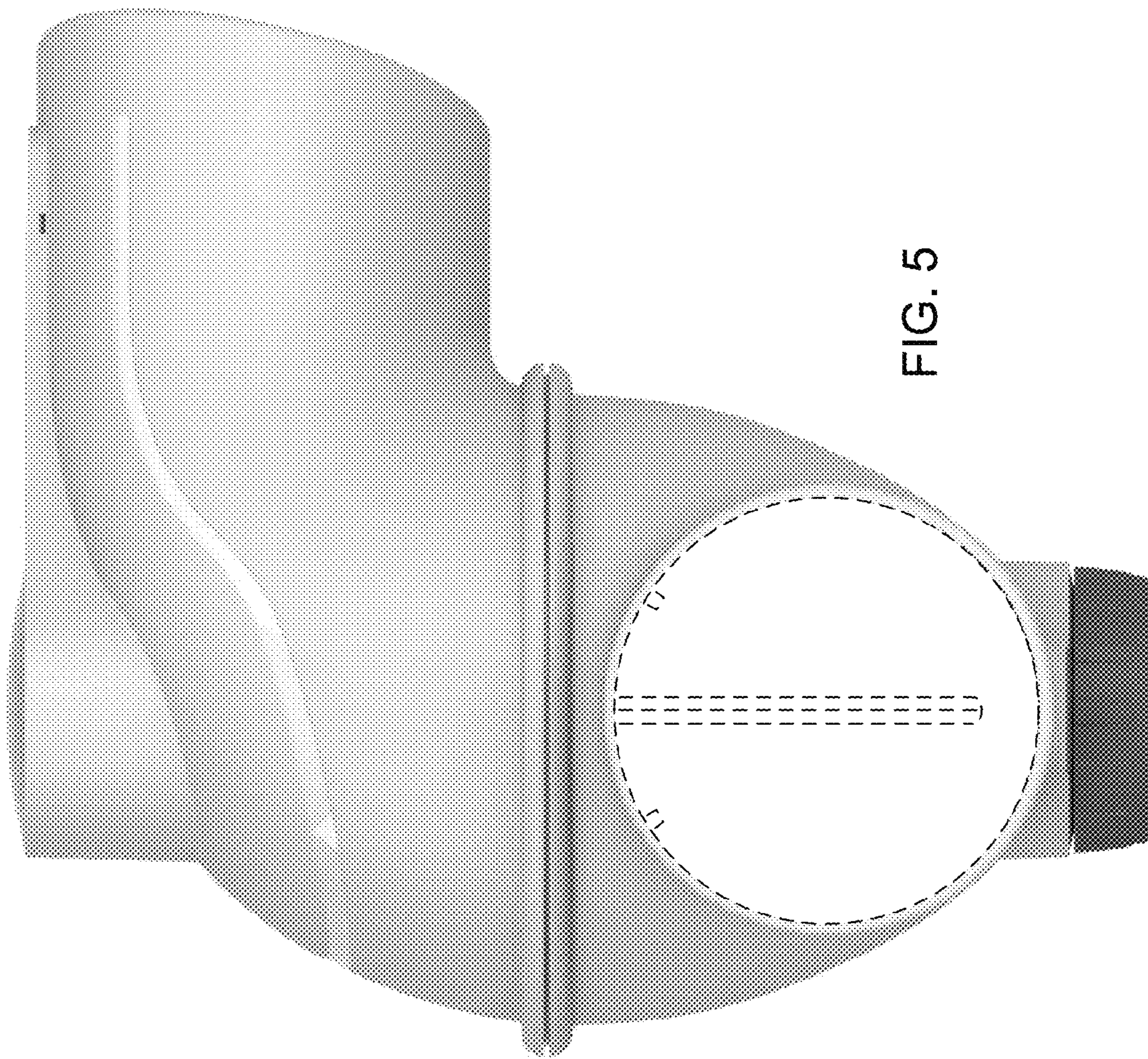


FIG. 5

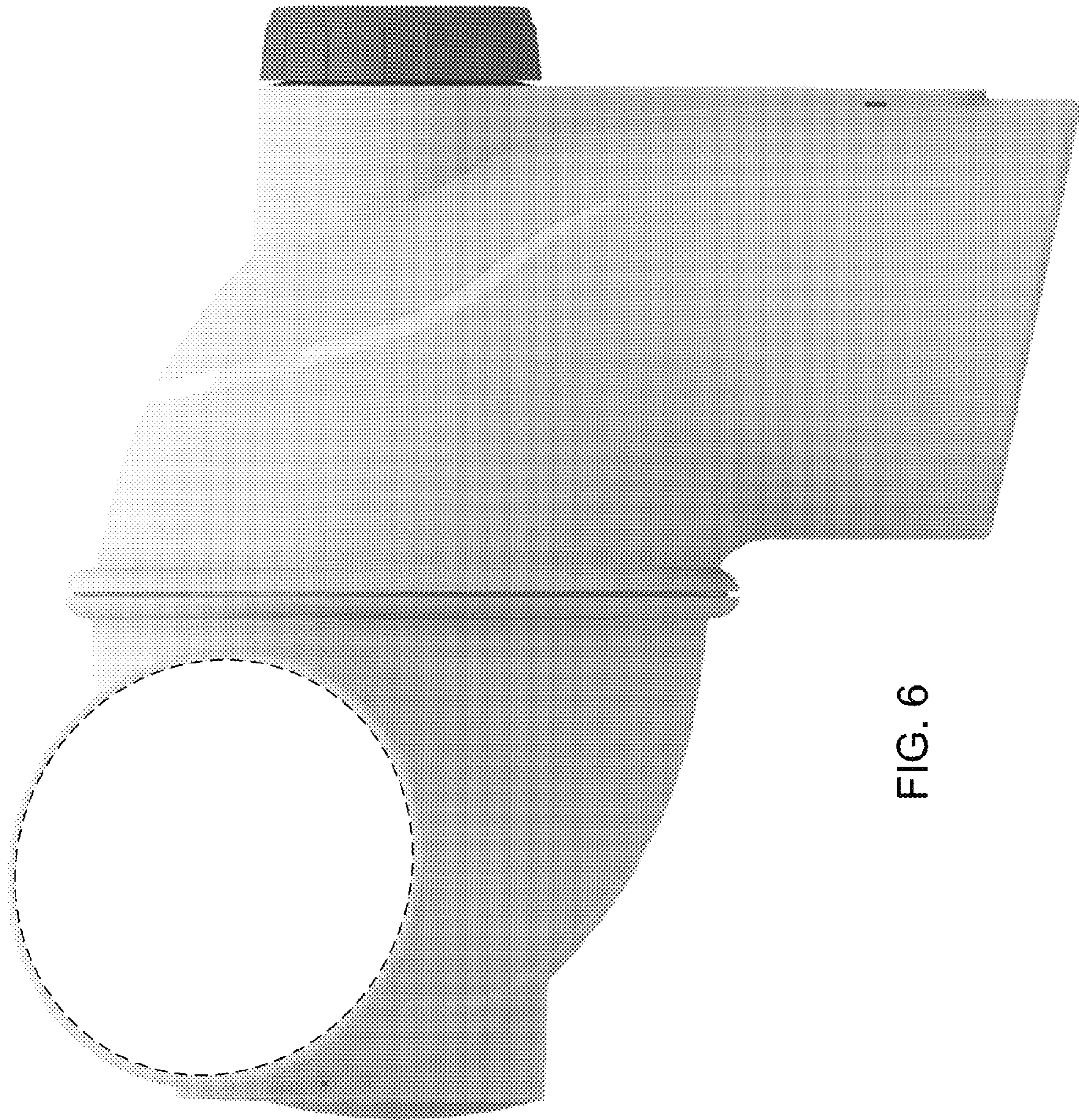


FIG. 6

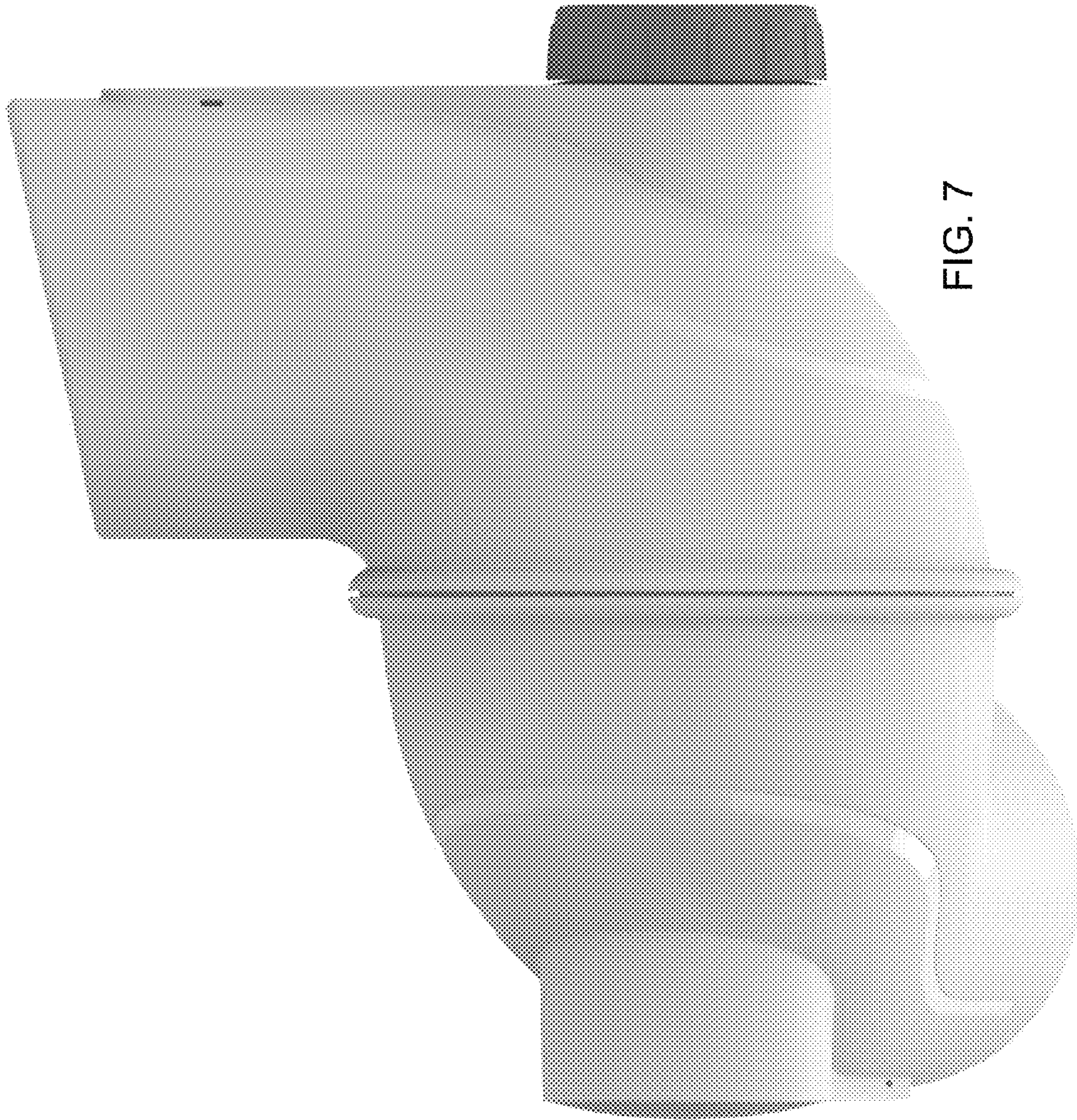


FIG. 7