



US00D681796S

(12) **United States Design Patent**  
**Han et al.**

(10) **Patent No.:** **US D681,796 S**

(45) **Date of Patent:** **\*\* May 7, 2013**

(54) **AIR DIRECTING APPARATUS**

(75) Inventors: **Kyusang Han**, Port Washington, NY  
(US); **Kyoung Hak Lee**, Plainview, NY  
(US); **Won Seok Oh**, Port Washington,  
NY (US)

(73) Assignee: **Kiss Nail Products, Inc.**, Port  
Washington, NY (US)

(\*\*) Term: **14 Years**

(21) Appl. No.: **29/423,264**

(22) Filed: **May 30, 2012**

**Related U.S. Application Data**

(63) Continuation-in-part of application No. 13/088,005,  
filed on Apr. 15, 2011.

(51) **LOC (9) Cl.** ..... **23-04**

(52) **U.S. Cl.**  
USPC ..... **D23/390**

(58) **Field of Classification Search** ..... D23/386-393,  
D23/370, 365, 399, 499, 263, 342, 371, 366;  
454/309, 275-277, 284, 287-291, 358-363;  
52/302.1, 32.07; 285/229, 189, 183, 123.1,  
285/15, 114, 110, 424, 197, 332; 138/39,  
138/106; 422/124

See application file for complete search history.

(56) **References Cited**

**U.S. PATENT DOCUMENTS**

5,376,338 A \* 12/1994 Zlotnik ..... 422/124  
D410,707 S \* 6/1999 Krog ..... D23/370  
6,080,367 A \* 6/2000 Lin ..... 422/124  
D436,657 S \* 1/2001 Heatter ..... D23/366  
6,342,003 B1 \* 1/2002 Wang ..... 454/155  
D485,340 S \* 1/2004 Wu ..... D23/366

D489,441 S \* 5/2004 Wagner ..... D23/370  
D506,818 S \* 6/2005 Lin ..... D23/370  
D509,580 S \* 9/2005 Lin ..... D23/370  
D509,896 S \* 9/2005 Chen et al. .... D23/370  
D544,090 S \* 6/2007 Tomasiak ..... D23/388  
7,513,719 B2 \* 4/2009 Keiper ..... 285/332  
D603,493 S \* 11/2009 Fraser et al. .... D23/327

\* cited by examiner

*Primary Examiner* — David Muller

(74) *Attorney, Agent, or Firm* — The Farrell Law Firm, P.C.

(57) **CLAIM**

The ornamental design for an air directing apparatus, as  
shown and described.

**DESCRIPTION**

FIG. 1 is a front-perspective view of an air directing appara-  
tus, showing our new design;

FIG. 2 is a right-side view of the air directing apparatus, the  
left-side view being a mirror image of the right-side view;

FIG. 3 is a front-elevation view of the air directing apparatus;

FIG. 4 is a rear-elevation view of the air directing apparatus;

FIG. 5 is a top-plan view of the air directing apparatus, the  
bottom-plan view being a mirror image of the top-plan view;

FIG. 6 is a rear-perspective view of the air directing appara-  
tus;

FIG. 7 is a tilted front-prospective view of the air directing  
apparatus;

FIG. 8 is a titled rear-perspective view of the air directing  
apparatus; and,

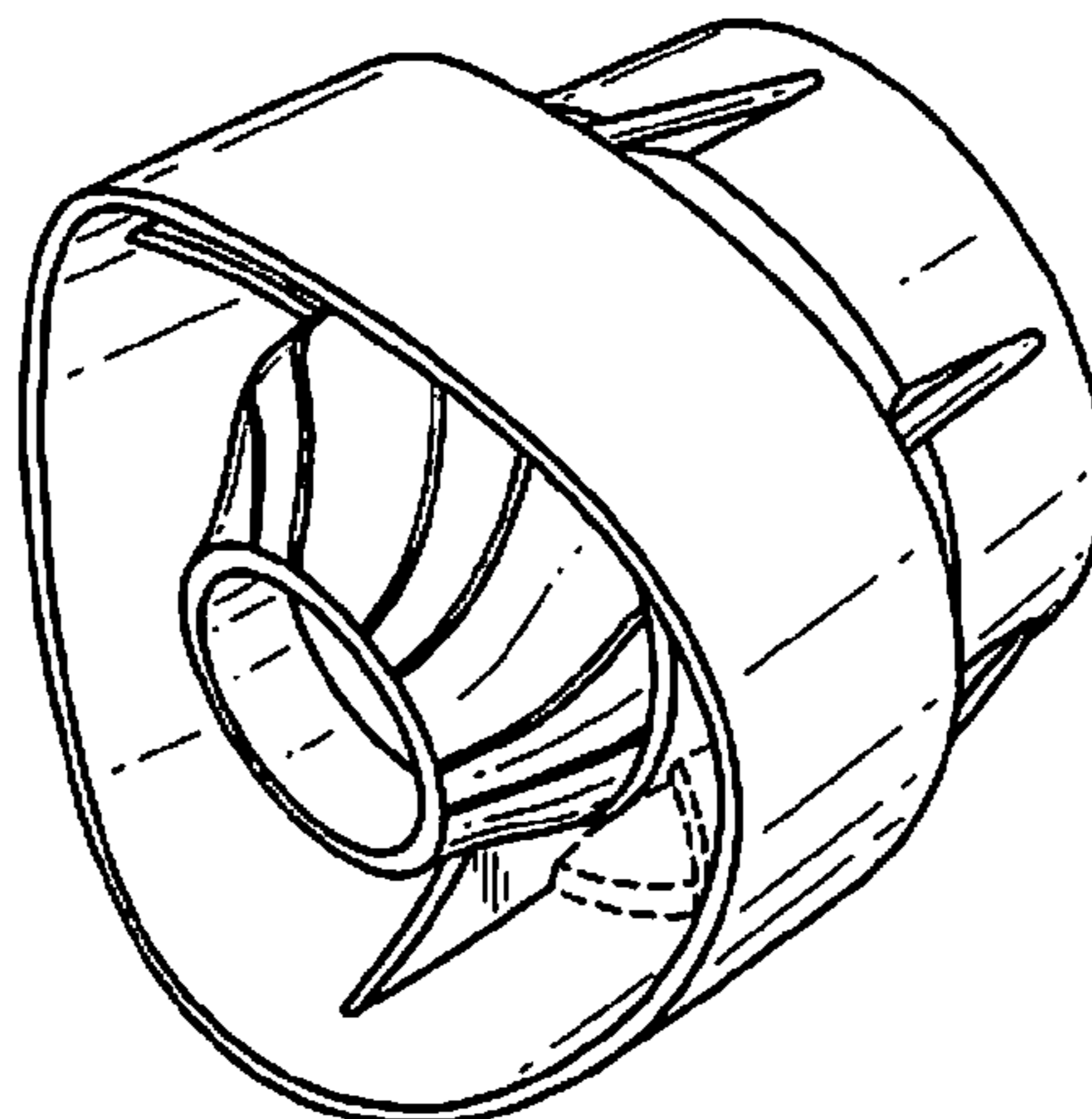
FIG. 9 is an exploded view of the air directing apparatus.

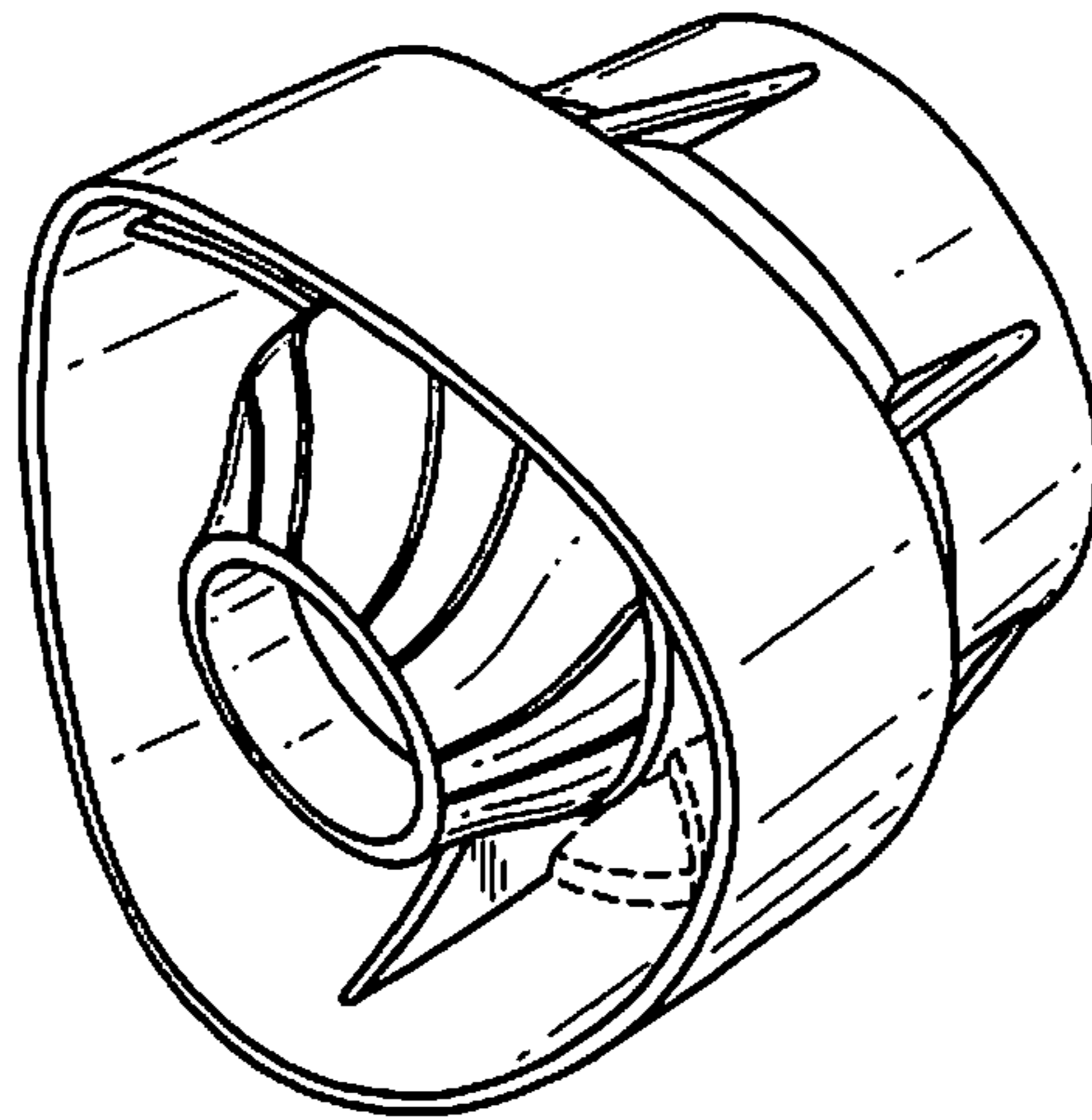
The broken line showing of parts of the drawings is included  
for the purpose of illustrating use and environment and forms  
no part of the claimed design.

The broken line showing of parts of the drawings is included  
for the purpose of illustrating use and environment and forms  
no part of the claimed design.

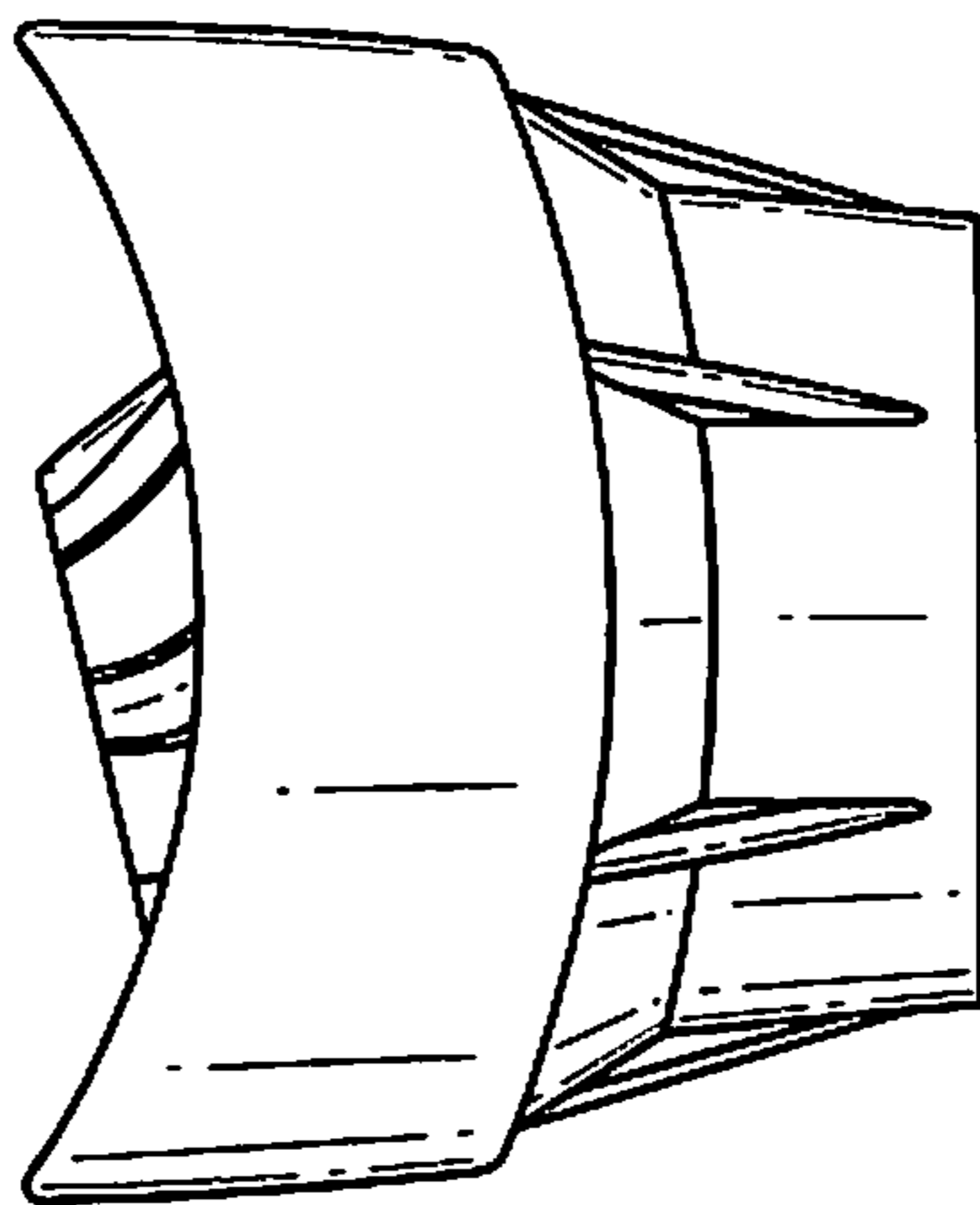
The broken line showing of parts of the drawings is included  
for the purpose of illustrating use and environment and forms  
no part of the claimed design.

**1 Claim, 5 Drawing Sheets**

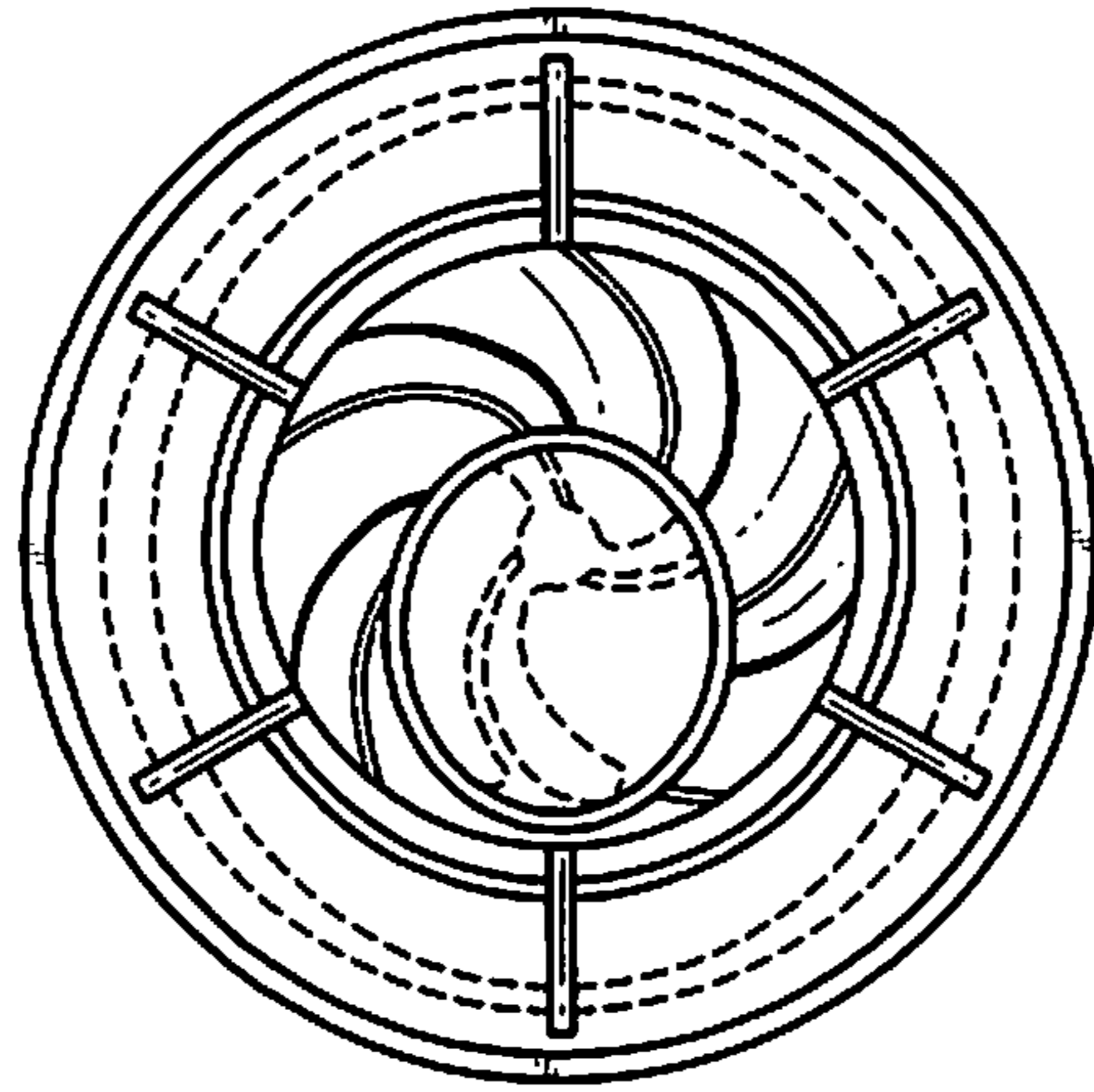




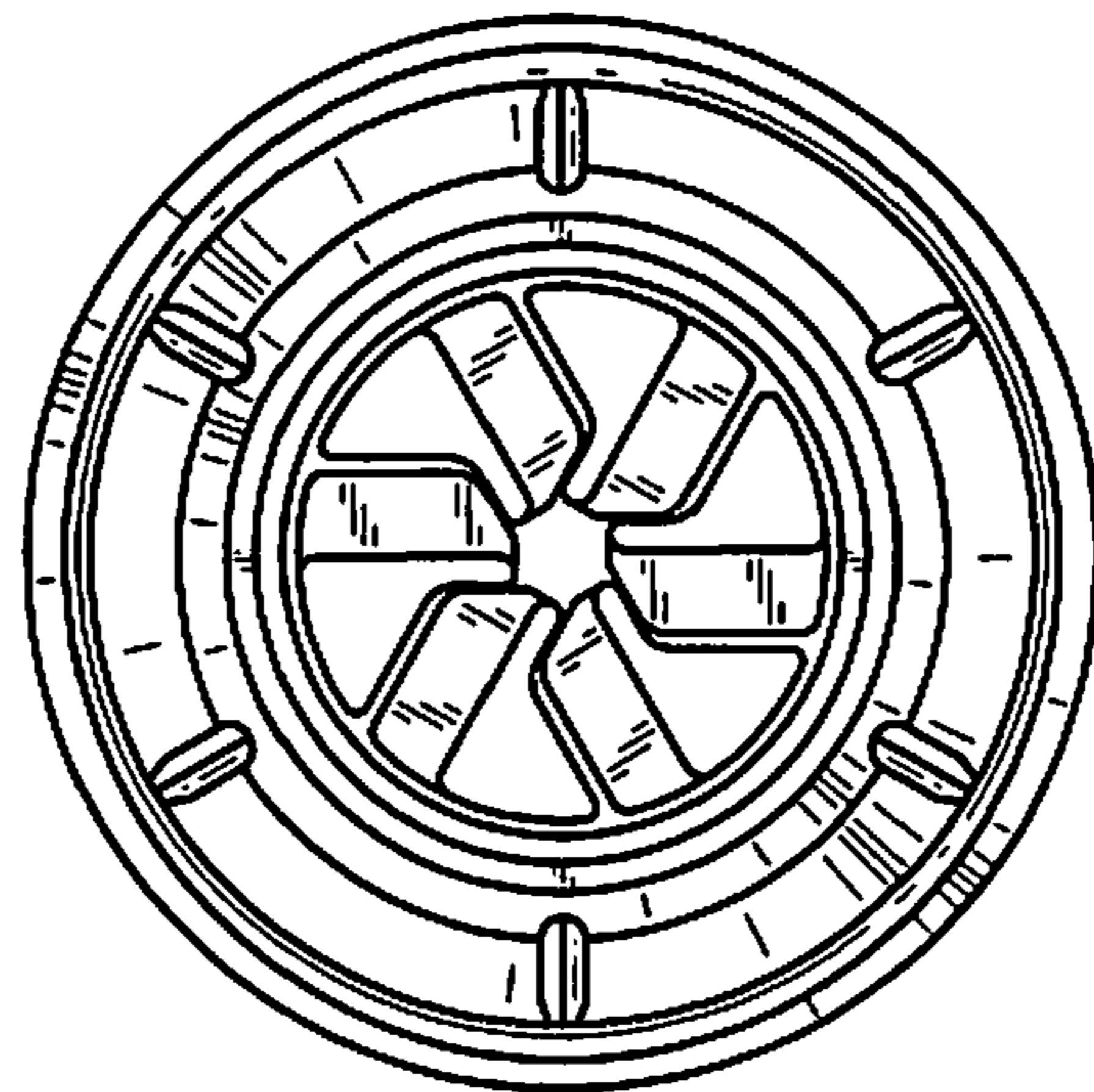
*FIG. 1*



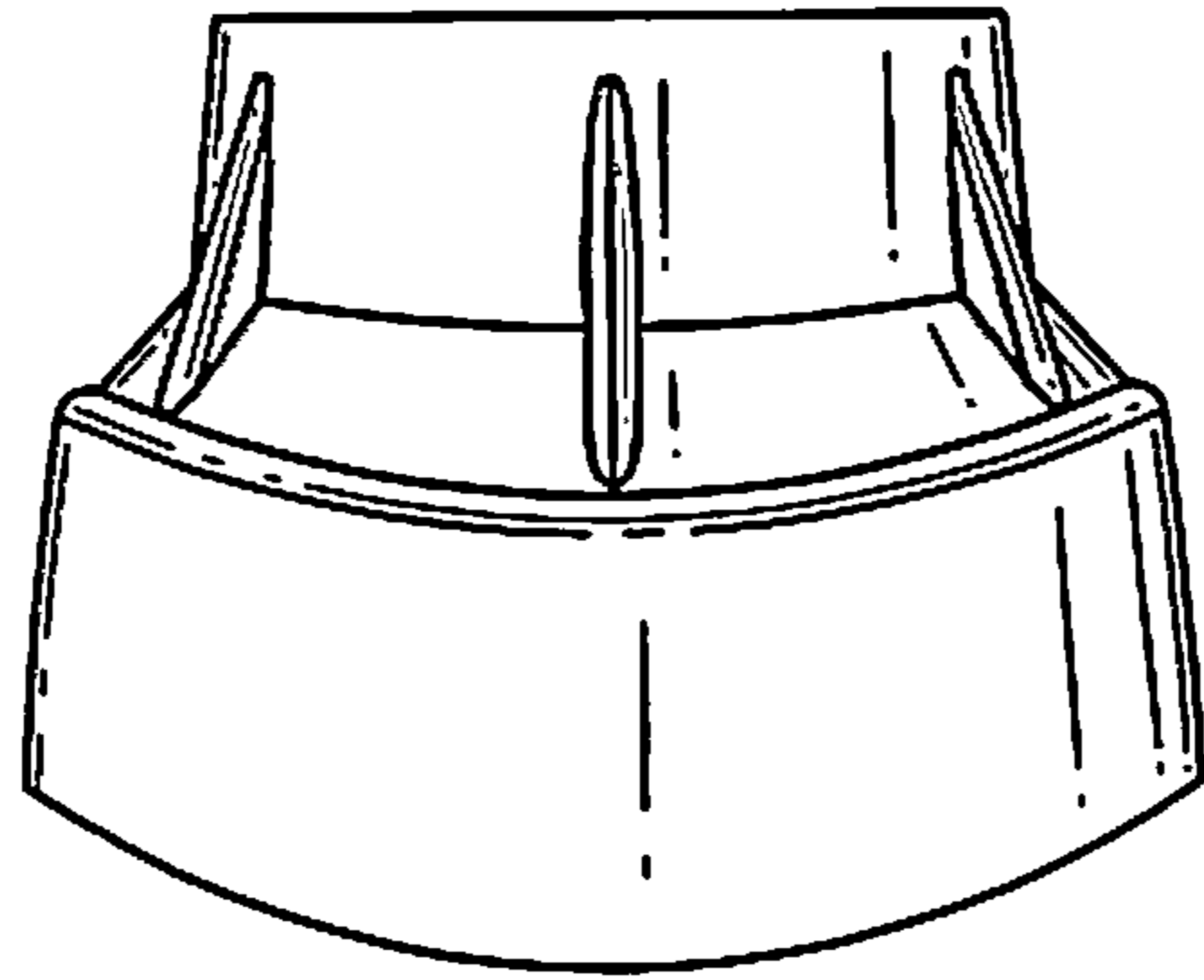
*FIG. 2*



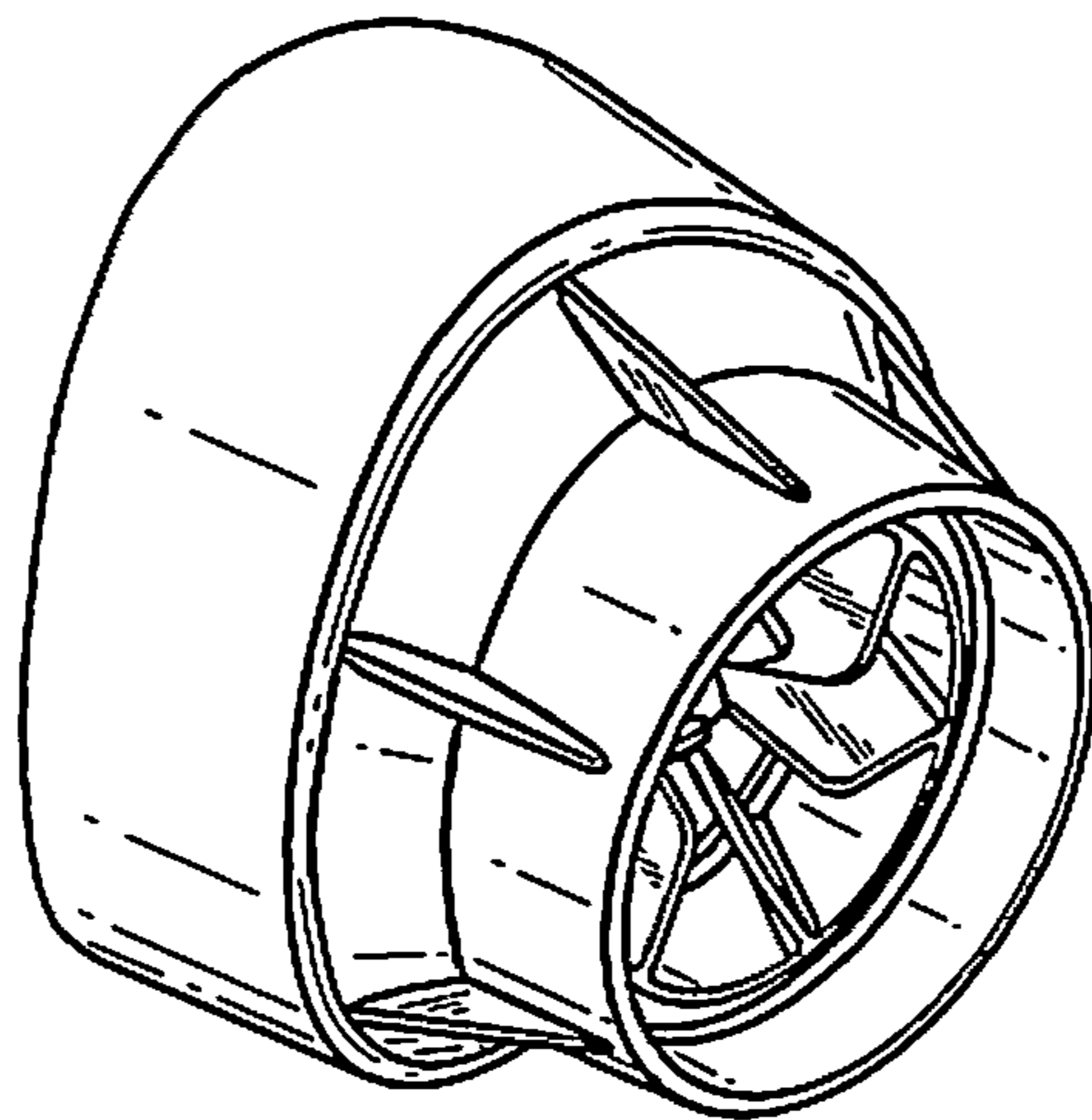
*FIG. 3*



*FIG. 4*



*FIG. 5*



*FIG. 6*

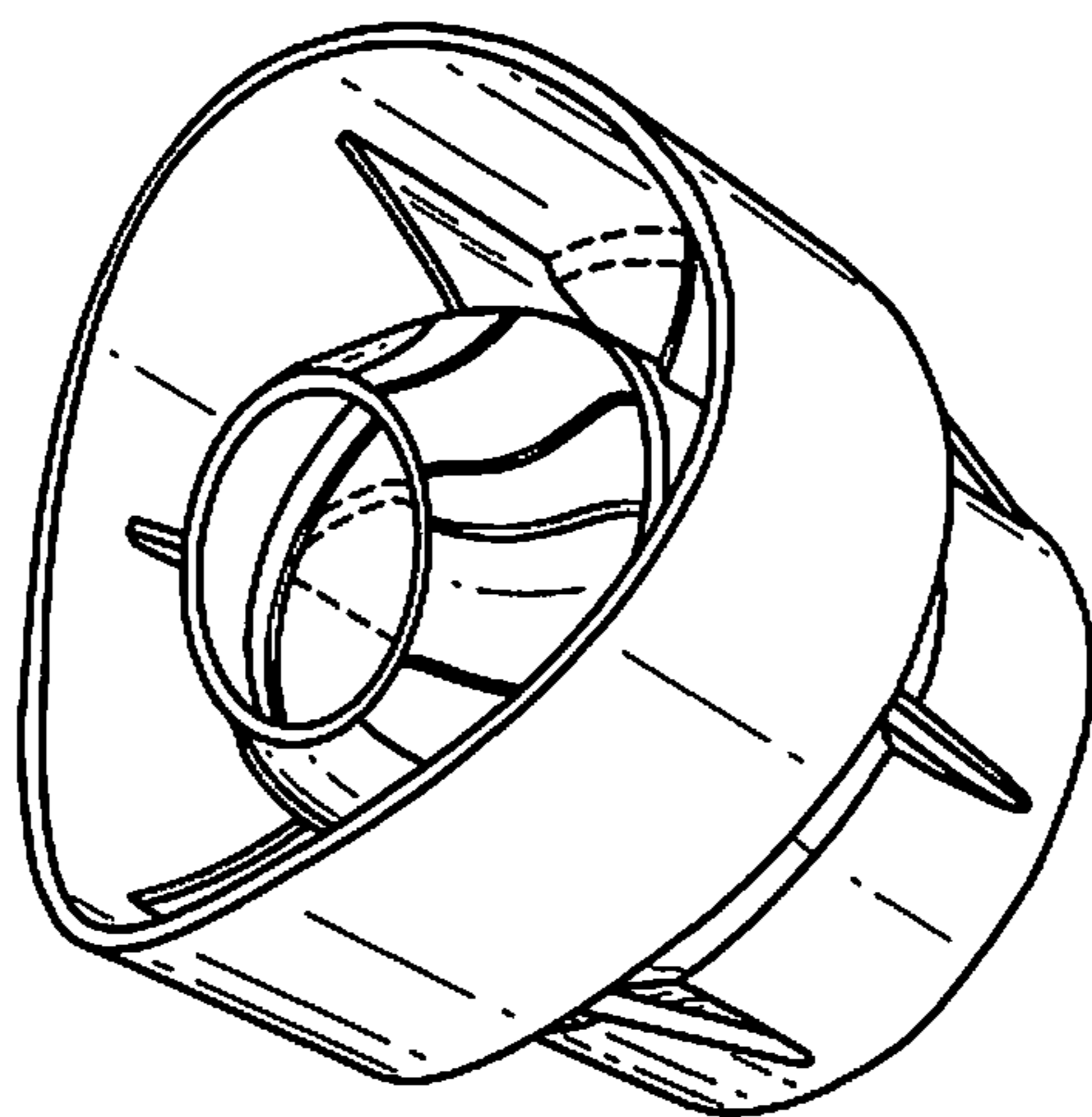


FIG. 7

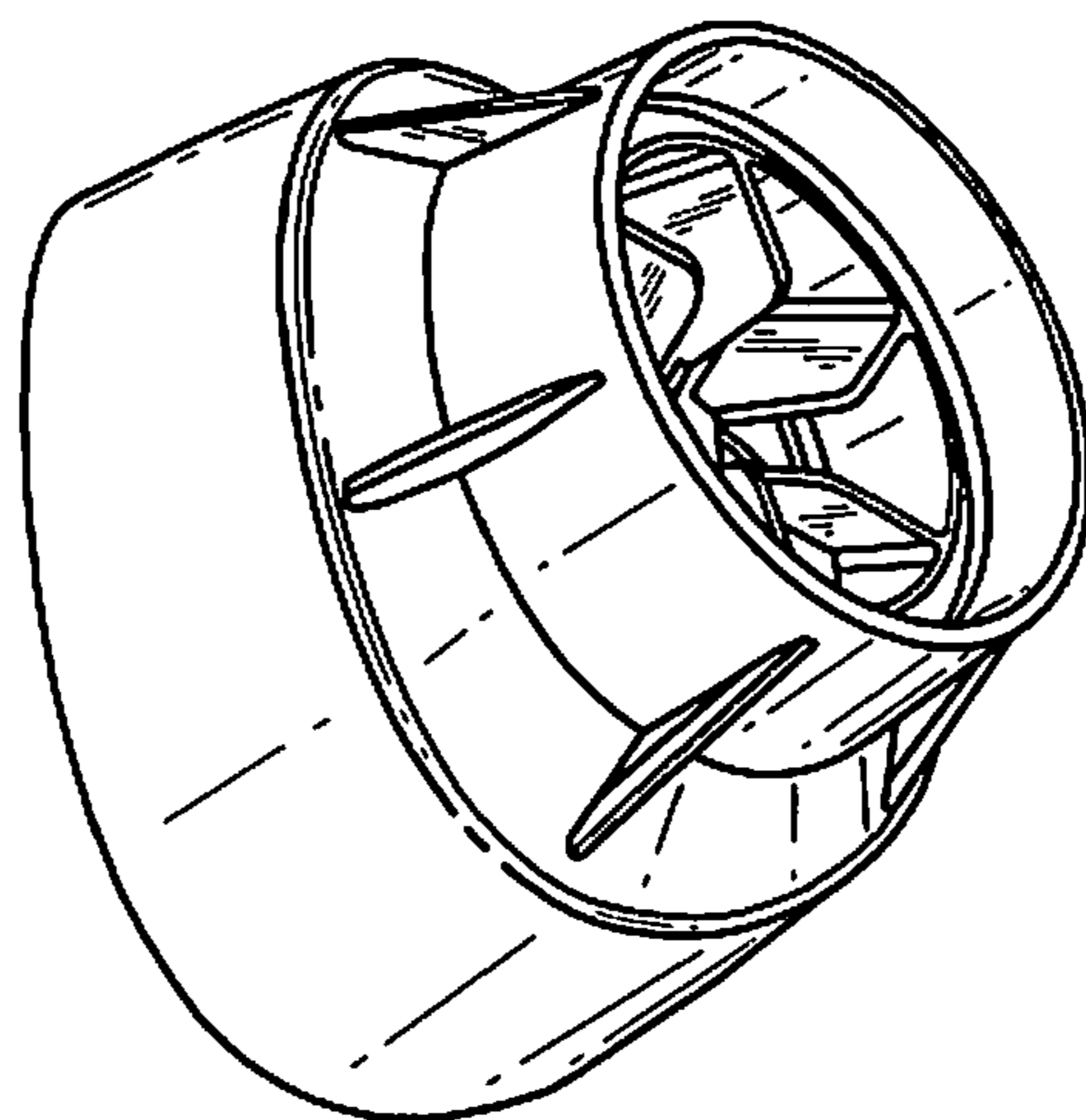


FIG. 8

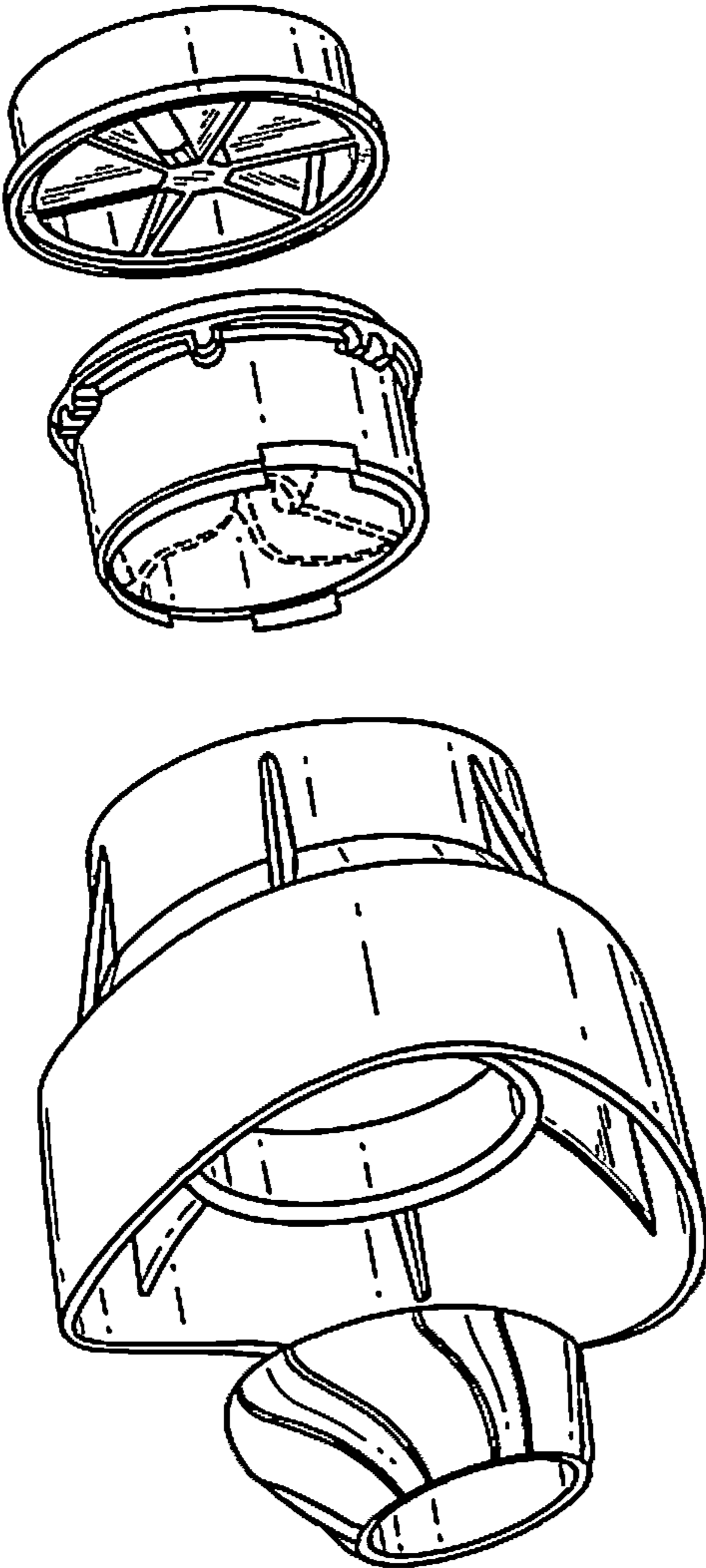


FIG. 9