



US00D681793S

(12) **United States Design Patent**
Li

(10) **Patent No.:** **US D681,793 S**

(45) **Date of Patent:** **** *May 7, 2013**

(54) **AIR MULTIPLIER**

(75) Inventor: **De-Zheng Li**, Nanxiong (CN)

(73) Assignee: **Kable Enterprise, Co., Ltd.**, Taipei (TW)

(*) Notice: This patent is subject to a terminal disclaimer.

(**) Term: **14 Years**

(21) Appl. No.: **29/401,630**

(22) Filed: **Sep. 13, 2011**

(30) **Foreign Application Priority Data**

Apr. 22, 2011 (TW) 100301950

(51) **LOC (9) Cl.** **23-04**

(52) **U.S. Cl.**
USPC **D23/370**

(58) **Field of Classification Search** D23/355,
D23/370, 385, 386, 411; 239/434.5, 568;
415/90, 126-128, 182.1, 209.2; 417/423.1,
417/198, 84; 454/292, 296; 261/116
See application file for complete search history.

(56) **References Cited**

U.S. PATENT DOCUMENTS

D206,973	S	*	2/1967	De Lisio	D23/370
D374,074	S	*	9/1996	Chen	D23/411
D459,460	S	*	6/2002	Melwani	D23/370
D605,748	S	*	12/2009	Gammack et al.	D23/370
D614,280	S	*	4/2010	Dyson et al.	D23/370
D625,404	S	*	10/2010	Yu	D23/386
D633,997	S	*	3/2011	Hideharu et al.	D23/370

D638,114	S	*	5/2011	Li et al.	D23/370
D644,726	S	*	9/2011	Hideharu et al.	D23/370
8,092,166	B2	*	1/2012	Nicolas et al.	415/209.2
8,197,226	B2	*	6/2012	Fitton et al.	417/198
8,246,317	B2	*	8/2012	Gammack	417/84
2009/0060710	A1	*	3/2009	Gammack et al.	415/90
2009/0060711	A1	*	3/2009	Gammack et al.	415/90
2010/0225012	A1	*	9/2010	Fitton et al.	261/116
2010/0226763	A1	*	9/2010	Gammack et al.	415/182.1
2010/0254800	A1	*	10/2010	Fitton et al.	415/90
2011/0164959	A1	*	7/2011	Fitton et al.	415/90

* cited by examiner

Primary Examiner — Caron D Veynar

Assistant Examiner — Martie K Holtje

(74) *Attorney, Agent, or Firm* — Muncy, Geissler, Olds & Lowe, PLLC

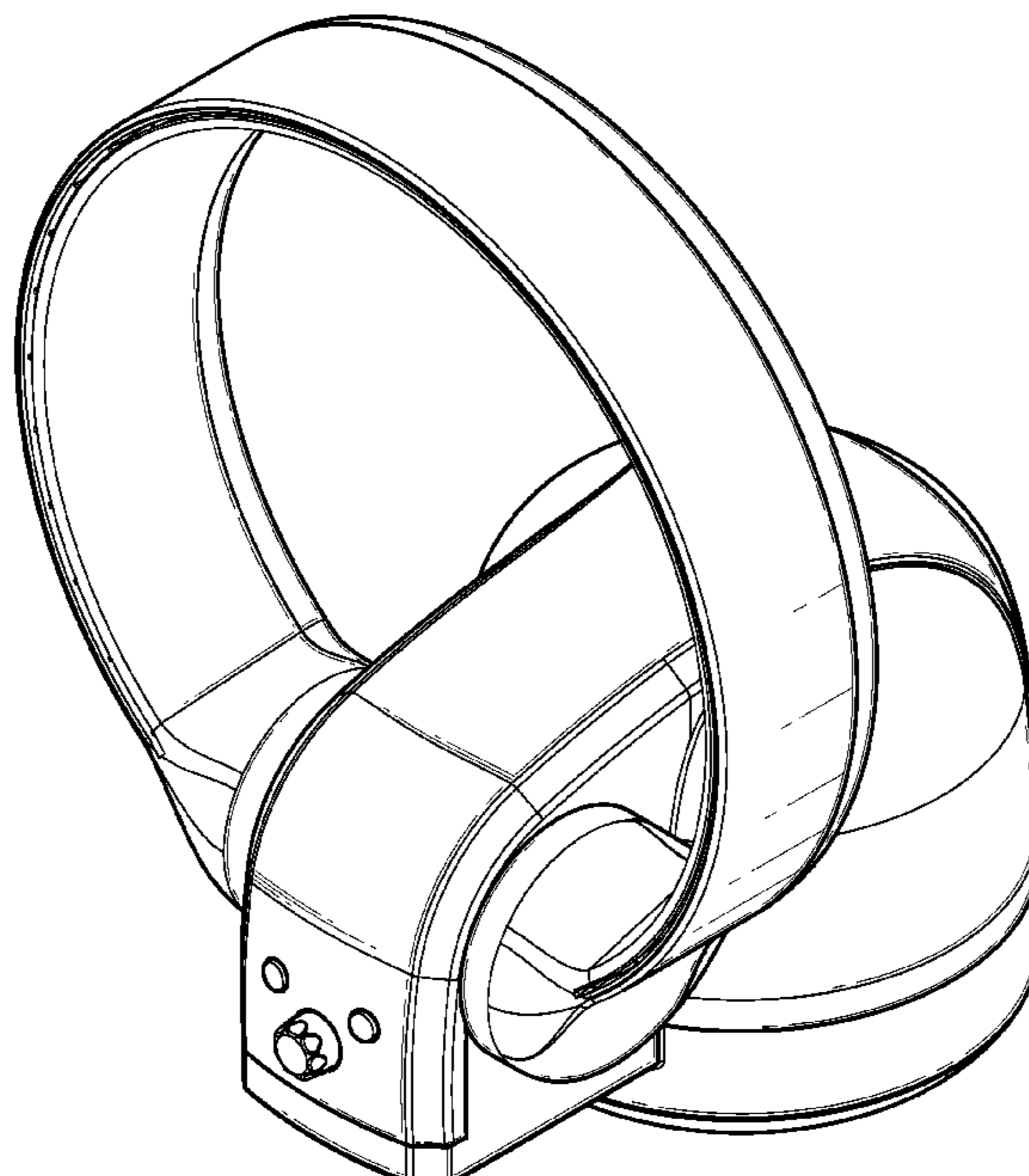
(57) **CLAIM**

The ornamental design for “air multiplier,” as shown and described.

DESCRIPTION

FIG. 1 is a perspective view of “air multiplier” showing my new design thereof;
FIG. 2 is a right side elevational view, the left side being a mirror image thereof;
FIG. 3 is a top plan view thereof;
FIG. 4 is a front elevational view thereof;
FIG. 5 is a bottom plan view thereof;
FIG. 6 is a rear elevational view thereof; and,
FIG. 7 is a bottom perspective view taken from the side opposite that shown in FIG. 1.
The inner circles of the two sets of concentric circles in the FIG. 5 view, depicted by means of broken lines, form no part of the claimed design.

1 Claim, 7 Drawing Sheets



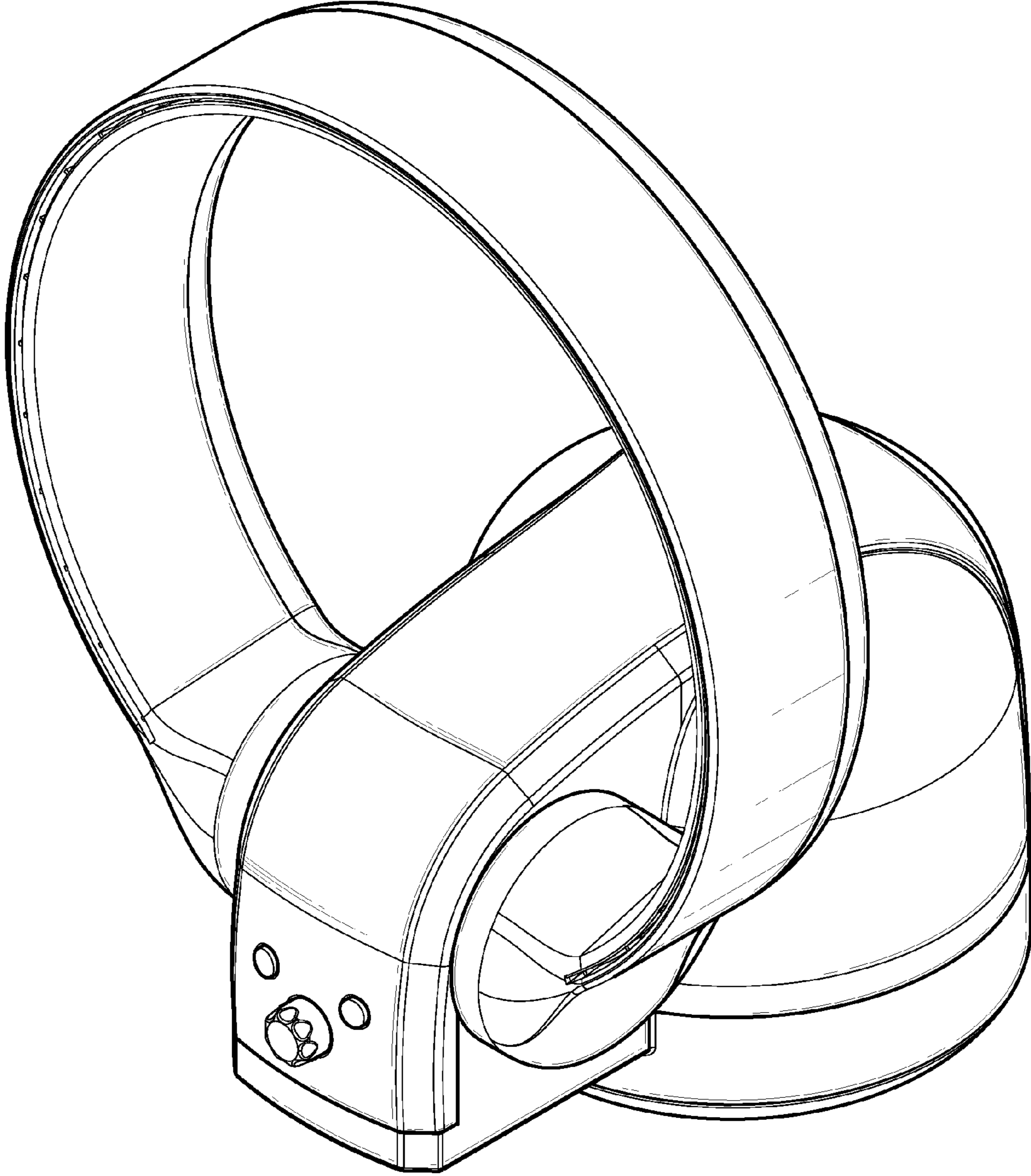


Fig. 1

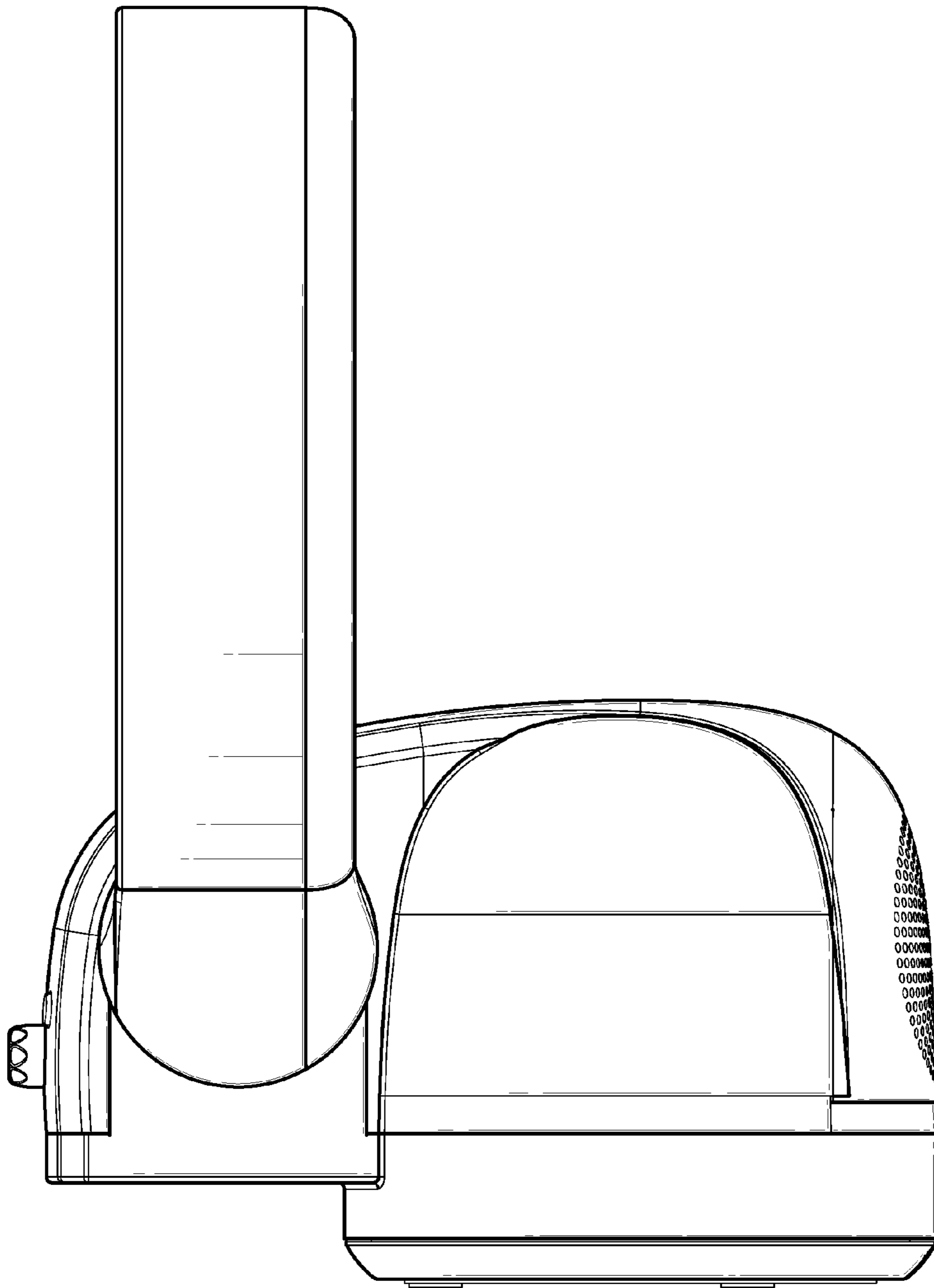


Fig. 2

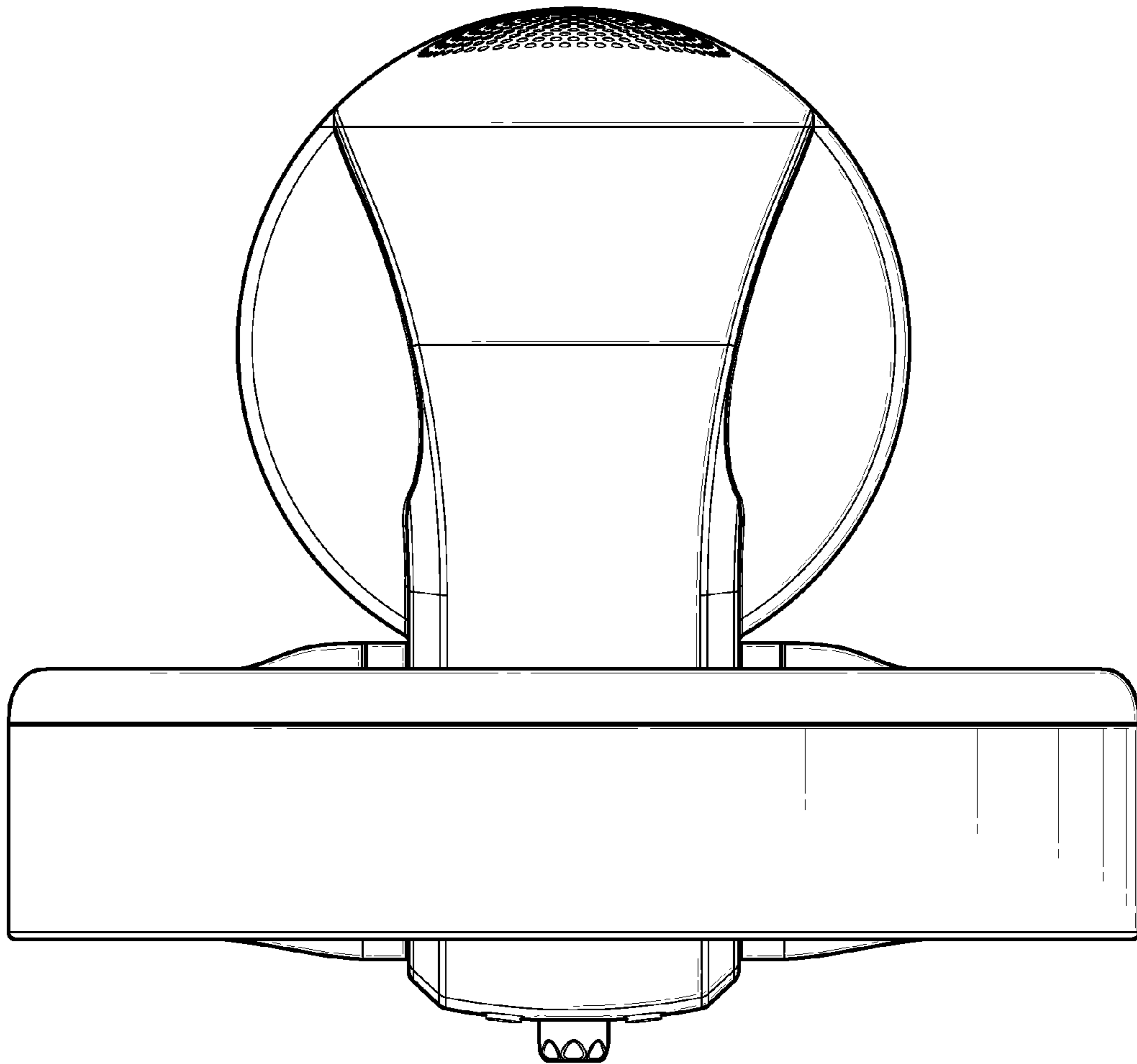


Fig. 3

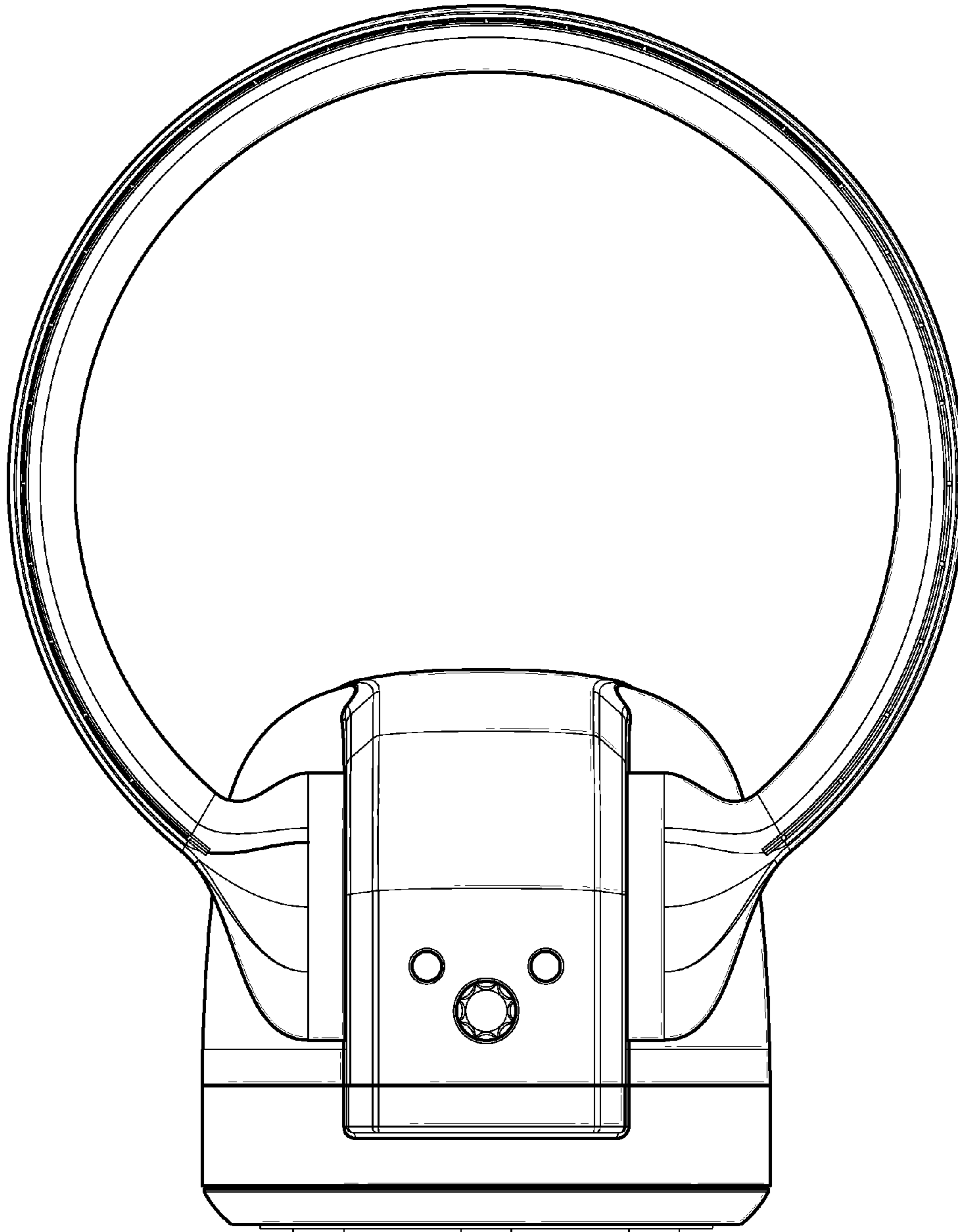


Fig. 4

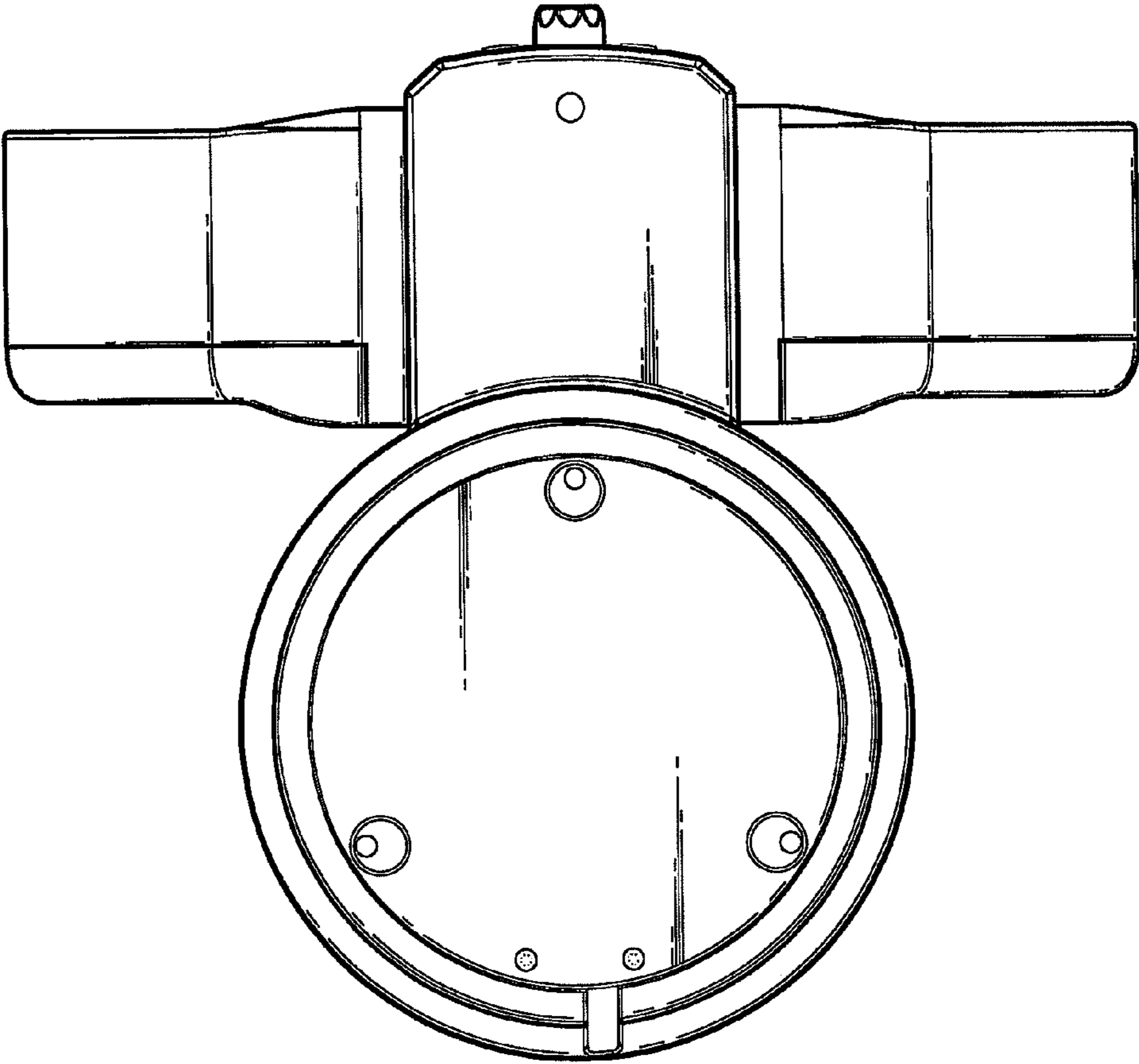


Fig. 5

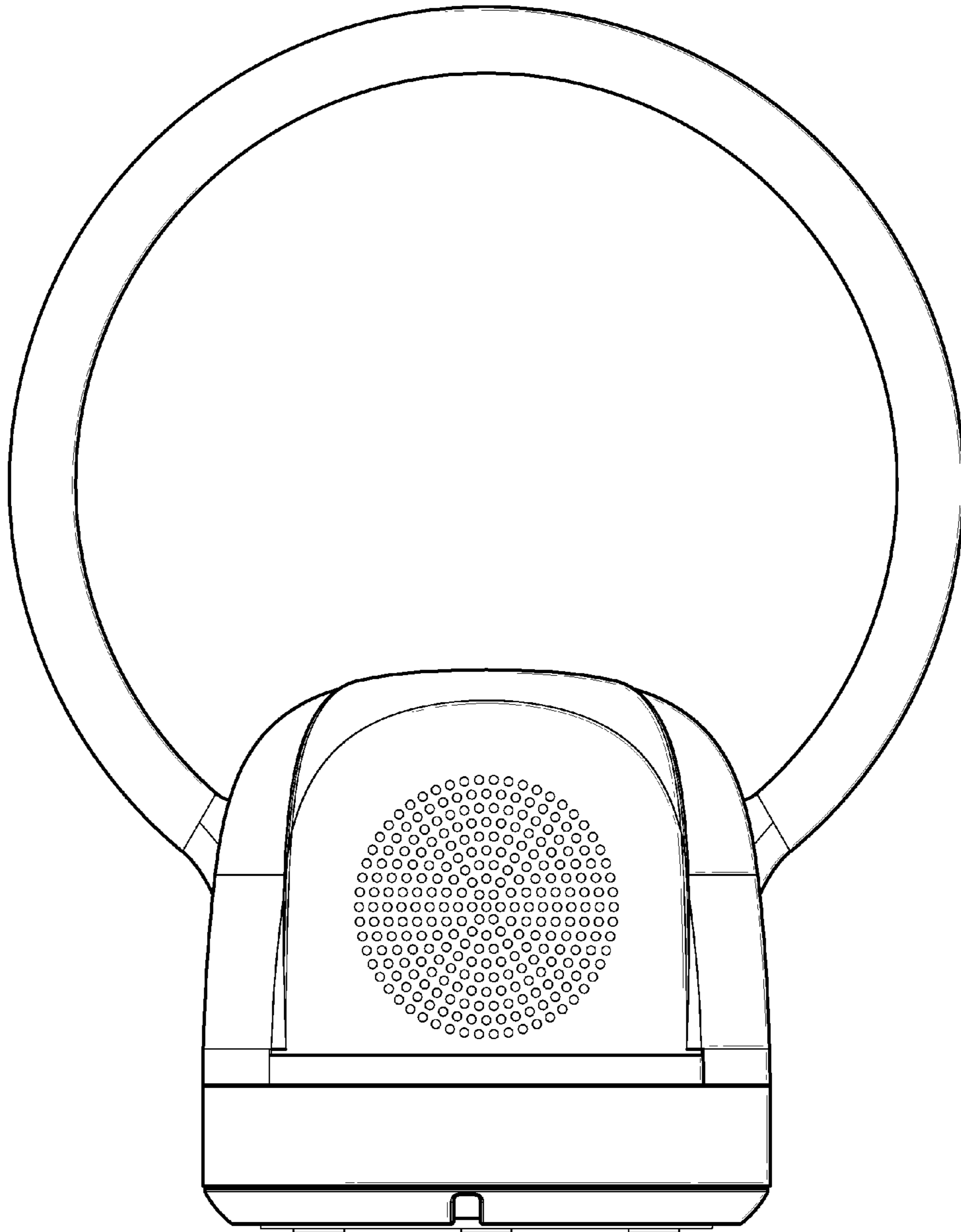


Fig. 6

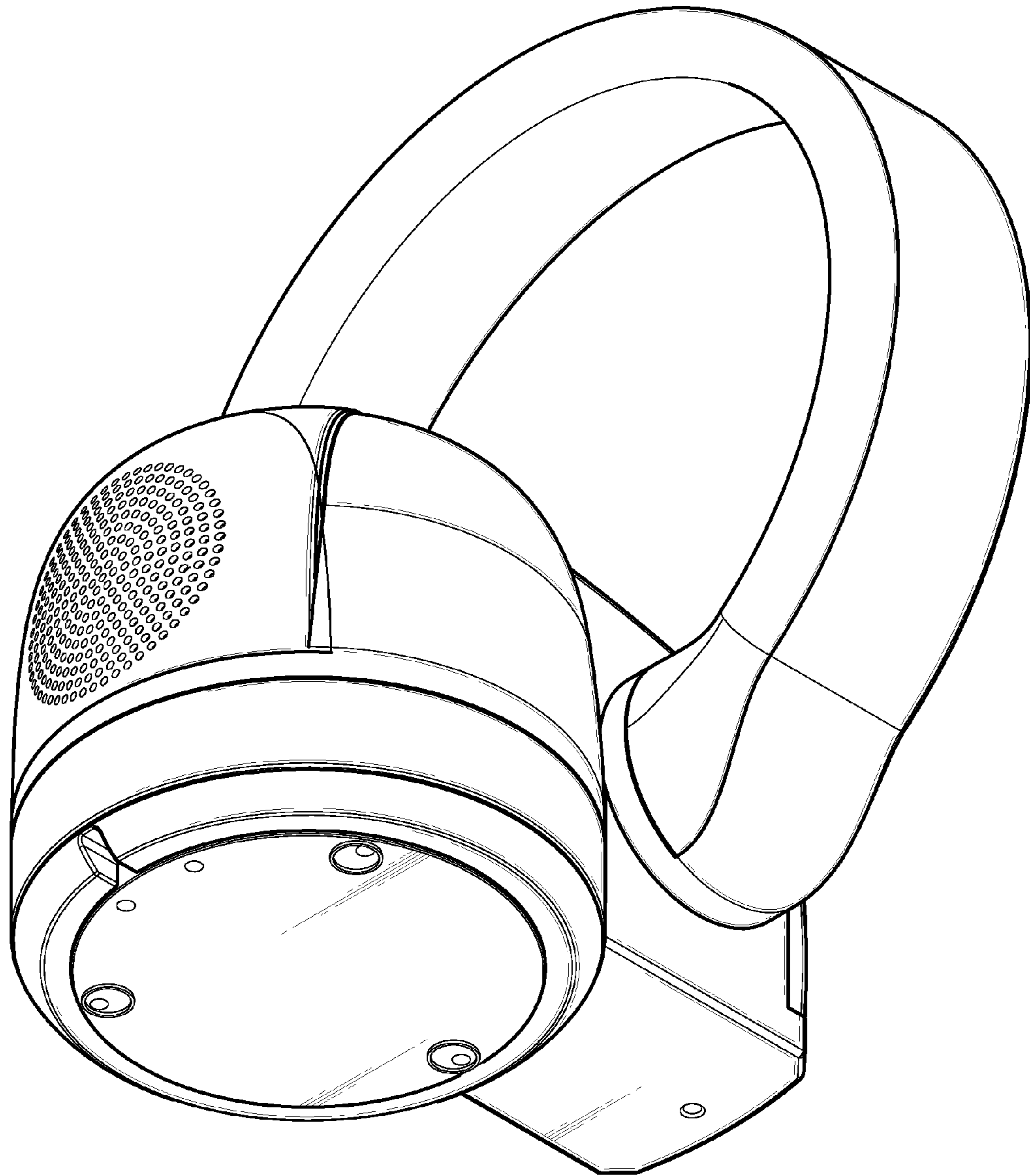


Fig. 7