



US00D681791S

(12) **United States Design Patent**
Jörgensen

(10) **Patent No.:** **US D681,791 S**

(45) **Date of Patent:** **** May 7, 2013**

(54) **AROMA DIFFUSER**

(75) **Inventor:** **Carsten Jörgensen**, Kastanienbaum
(CH)

(73) **Assignee:** **Ming Jen Hsiao**, Miaoli County (TW)

(**) **Term:** **14 Years**

(21) **Appl. No.:** **29/430,606**

(22) **Filed:** **Aug. 28, 2012**

(51) **LOC (9) Cl.** **28-99**

(52) **U.S. Cl.**
USPC **D23/366**

(58) **Field of Classification Search** D23/355-369;
D28/5, 6; 261/DIG. 17, DIG. 42, DIG. 65,
261/DIG. 88, DIG. 89, DIG. 47, DIG. 55,
261/DIG. 70; 392/356, 390, 392, 394, 395;
239/34, 44, 53, 55, 56, 326, 60, 308; D9/687;
D7/591

See application file for complete search history.

(56) **References Cited**

U.S. PATENT DOCUMENTS

D270,468 S * 9/1983 Hoyt D23/369
D275,222 S * 8/1984 Hoyt D23/369
D280,757 S * 9/1985 Paulovich et al. D23/207

D384,451 S * 9/1997 Leu D32/29.1
D392,032 S * 3/1998 Zaragoza et al. D23/369
D454,190 S * 3/2002 Trocola D23/366
6,435,694 B1 * 8/2002 Bell et al. 362/161
D535,376 S * 1/2007 Michaels et al. D23/366
D544,084 S * 6/2007 Michaels et al. D23/366
D614,277 S * 4/2010 Hsiao D23/366
D621,494 S * 8/2010 Li D23/366
D621,495 S * 8/2010 Li D23/366
D622,835 S * 8/2010 Mendheim D23/364
D650,056 S * 12/2011 Li D23/366
D662,581 S * 6/2012 Savegnago D23/366

* cited by examiner

Primary Examiner — Sandra Snapp

(74) *Attorney, Agent, or Firm* — Ming Chow; Sinorica, LLC

(57) **CLAIM**

The ornamental design for an aroma diffuser, as shown.

DESCRIPTION

FIG. 1 is a perspective view of an aroma diffuser showing my new design;

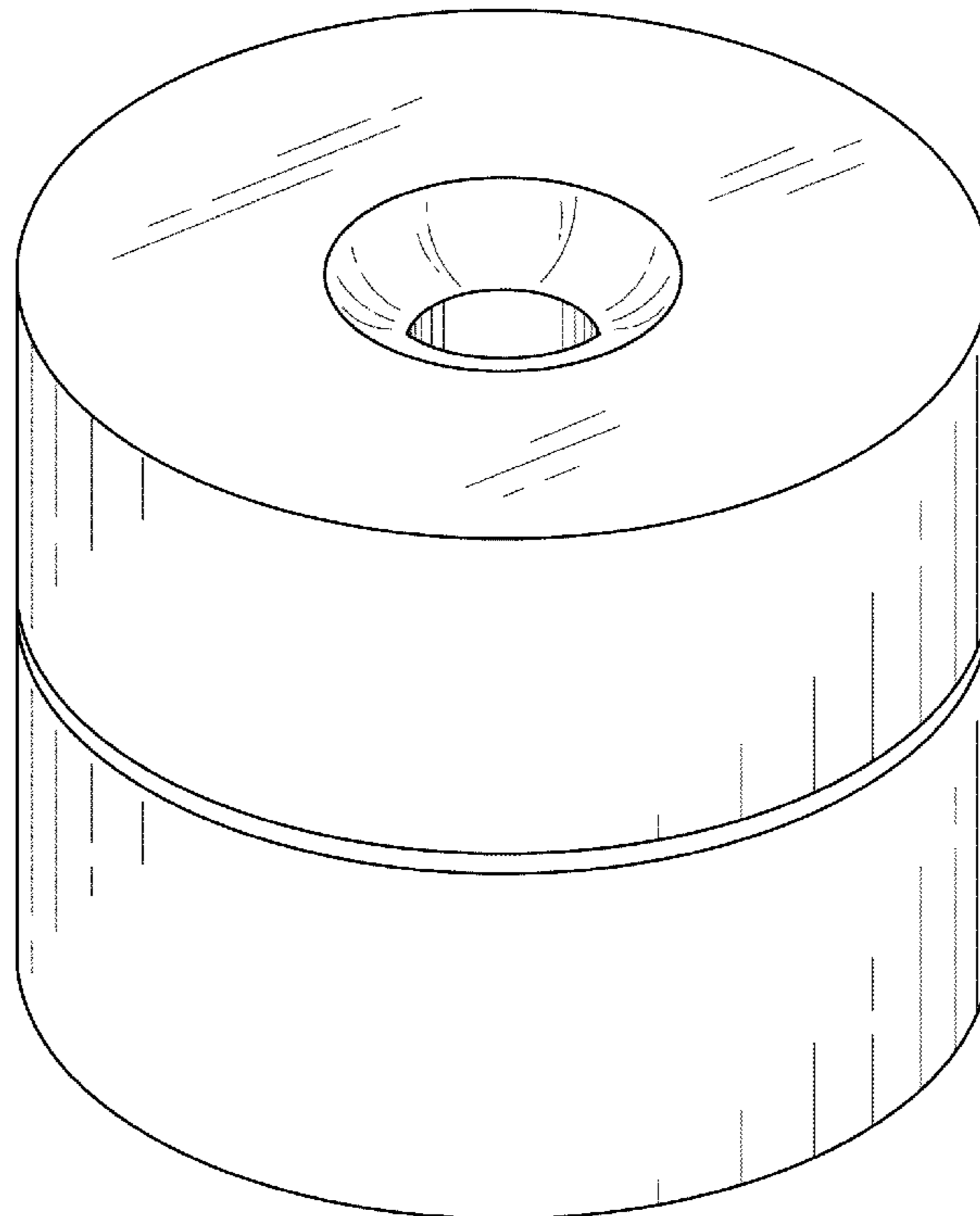
FIG. 2 is a front view, the rear view being a mirror image thereof;

FIG. 3 is a left side view, the right side view being a mirror image thereof;

FIG. 4 is a top view thereof; and,

FIG. 5 is a bottom view thereof.

1 Claim, 5 Drawing Sheets



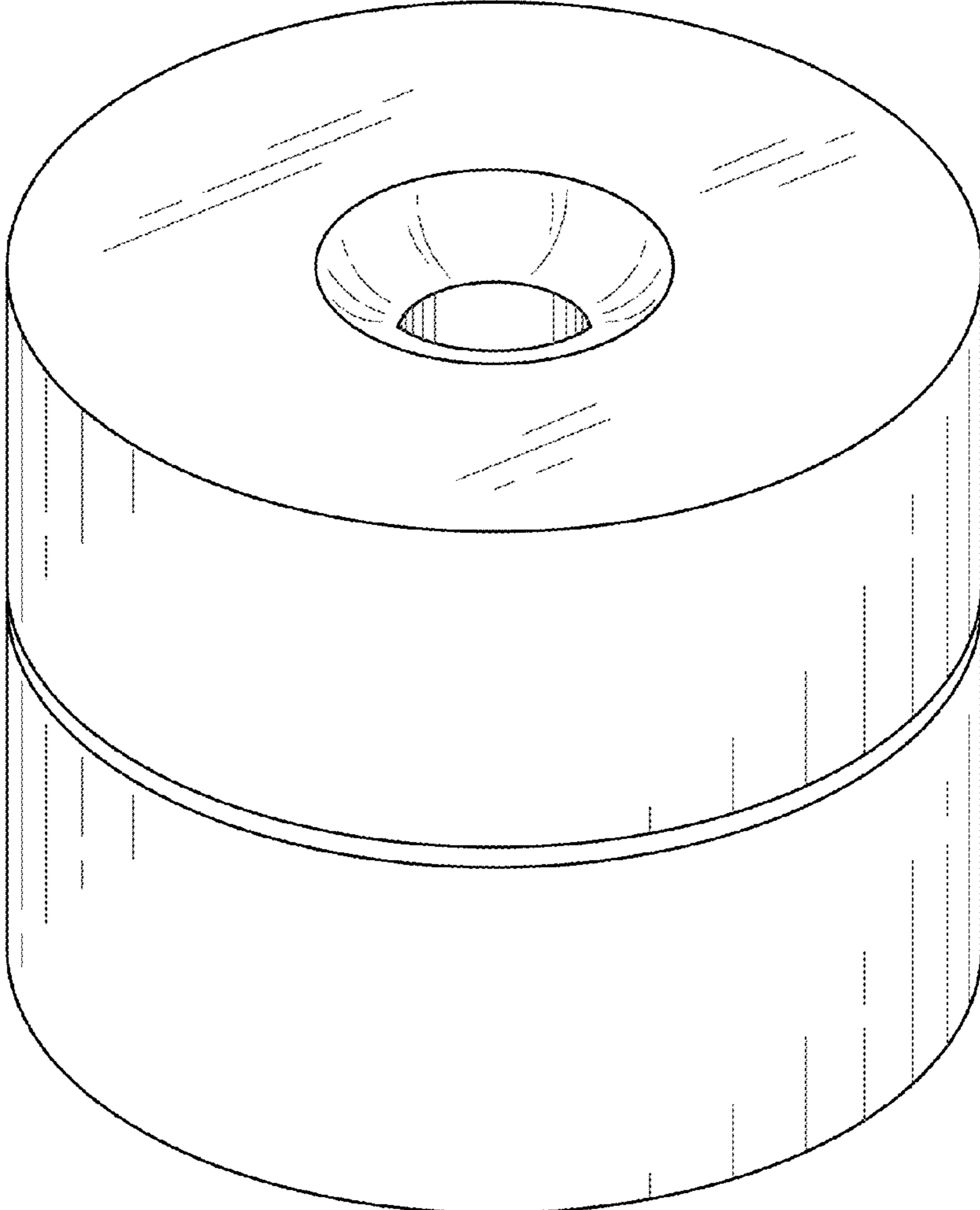


FIG. 1

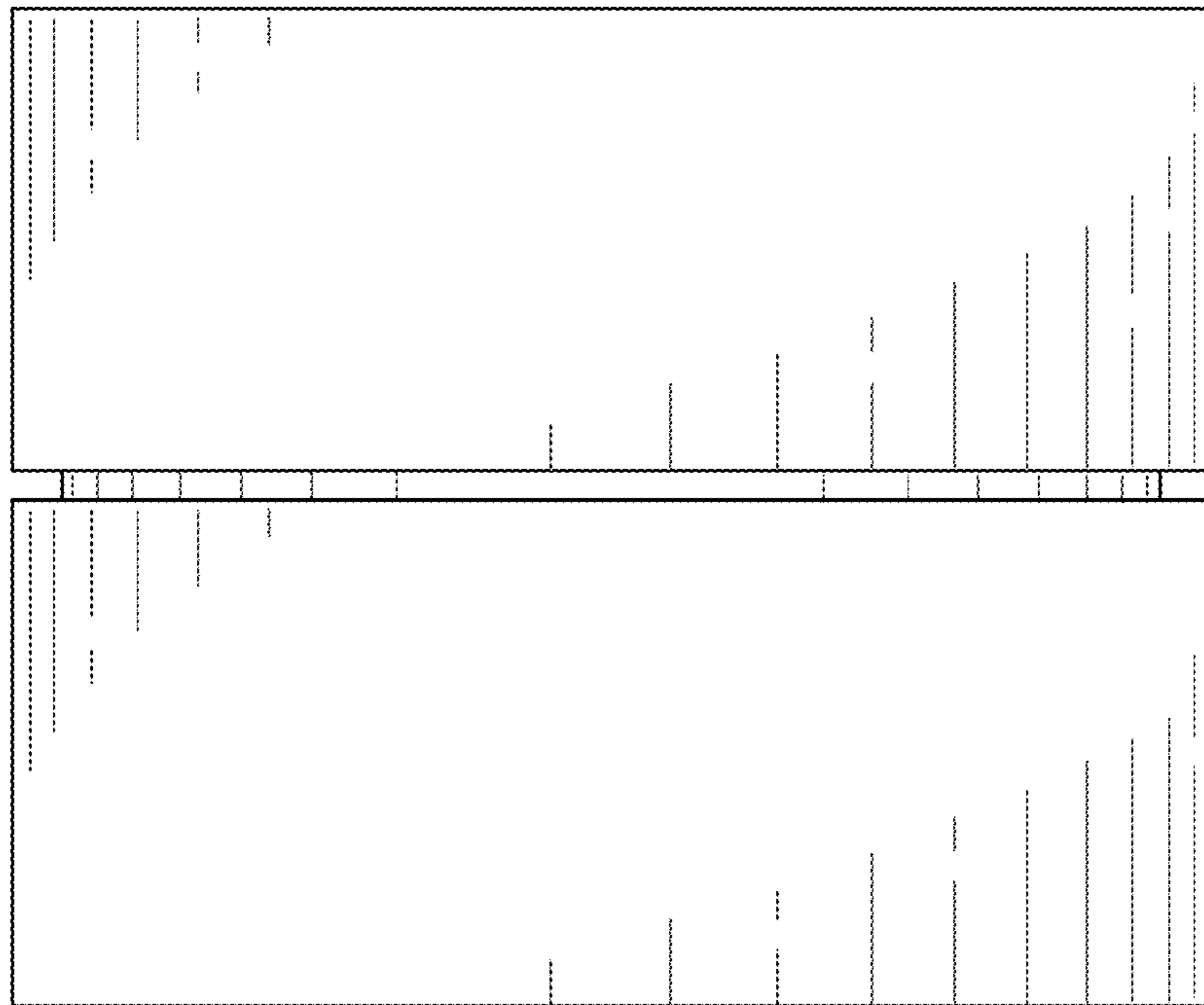


FIG.2

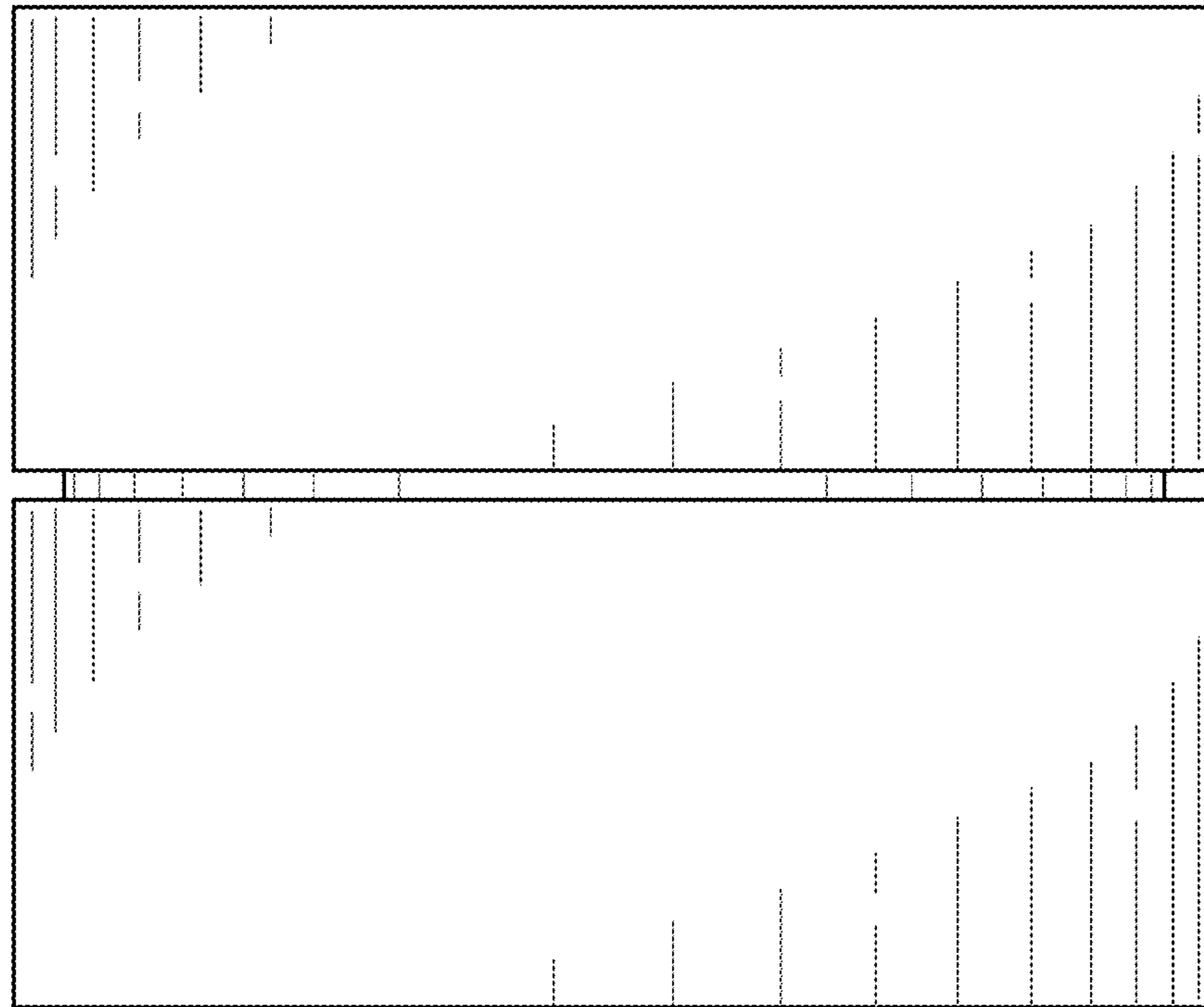


FIG. 3



FIG.4

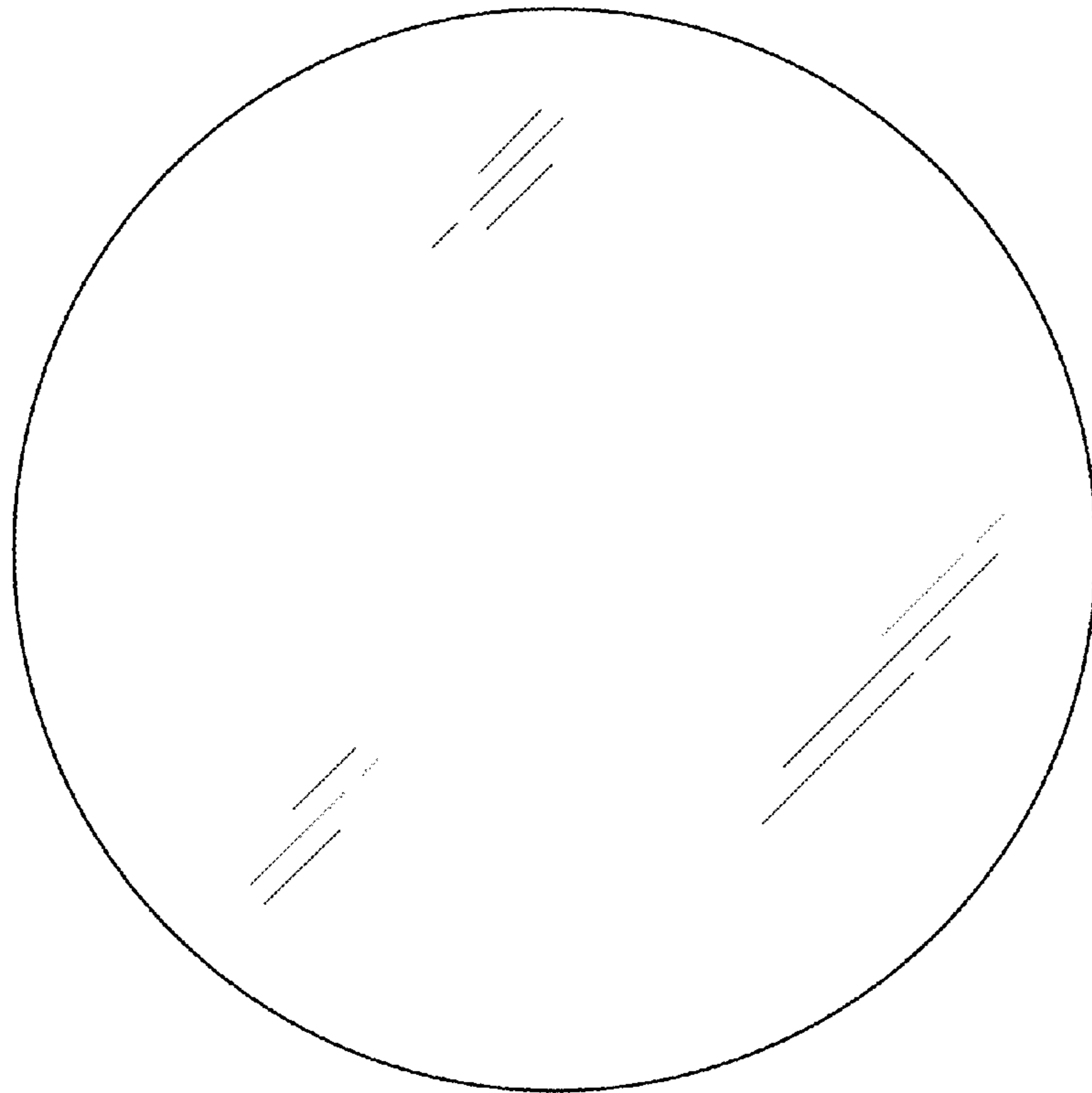


FIG. 5