



US00D681789S

(12) **United States Design Patent**  
**Chiu**

(10) **Patent No.:** **US D681,789 S**

(45) **Date of Patent:** **\*\* May 7, 2013**

- (54) **PORTABLE AIR CONDITIONER**
- (75) Inventor: **Ming-Tsung Chiu**, New Taipei (TW)
- (73) Assignee: **New Widetech Industries Co., Ltd.**,  
New Taipei (TW)
- (\*\*) Term: **14 Years**
- (21) Appl. No.: **29/431,199**
- (22) Filed: **Sep. 5, 2012**
- (51) **LOC (9) Cl.** ..... **23-04**
- (52) **U.S. Cl.**  
USPC ..... **D23/333**
- (58) **Field of Classification Search** ..... D23/333,  
D23/351-354; 62/262-263, 259.1, 261,  
62/297, 324.1, 371, 401, 457.1; 312/31,  
312/401, 236, 249.1  
See application file for complete search history.

- D532,888 S \* 11/2006 Chu ..... D23/351
- D539,403 S \* 3/2007 Pino ..... D23/351
- D564,646 S \* 3/2008 Chen ..... D23/351

\* cited by examiner

*Primary Examiner* — Brian N Vinson

(74) *Attorney, Agent, or Firm* — C. G. Mersereau; Nikolai & Mersereau, P.A.

(57) **CLAIM**

The ornamental design for a portable air conditioner, as shown and described.

**DESCRIPTION**

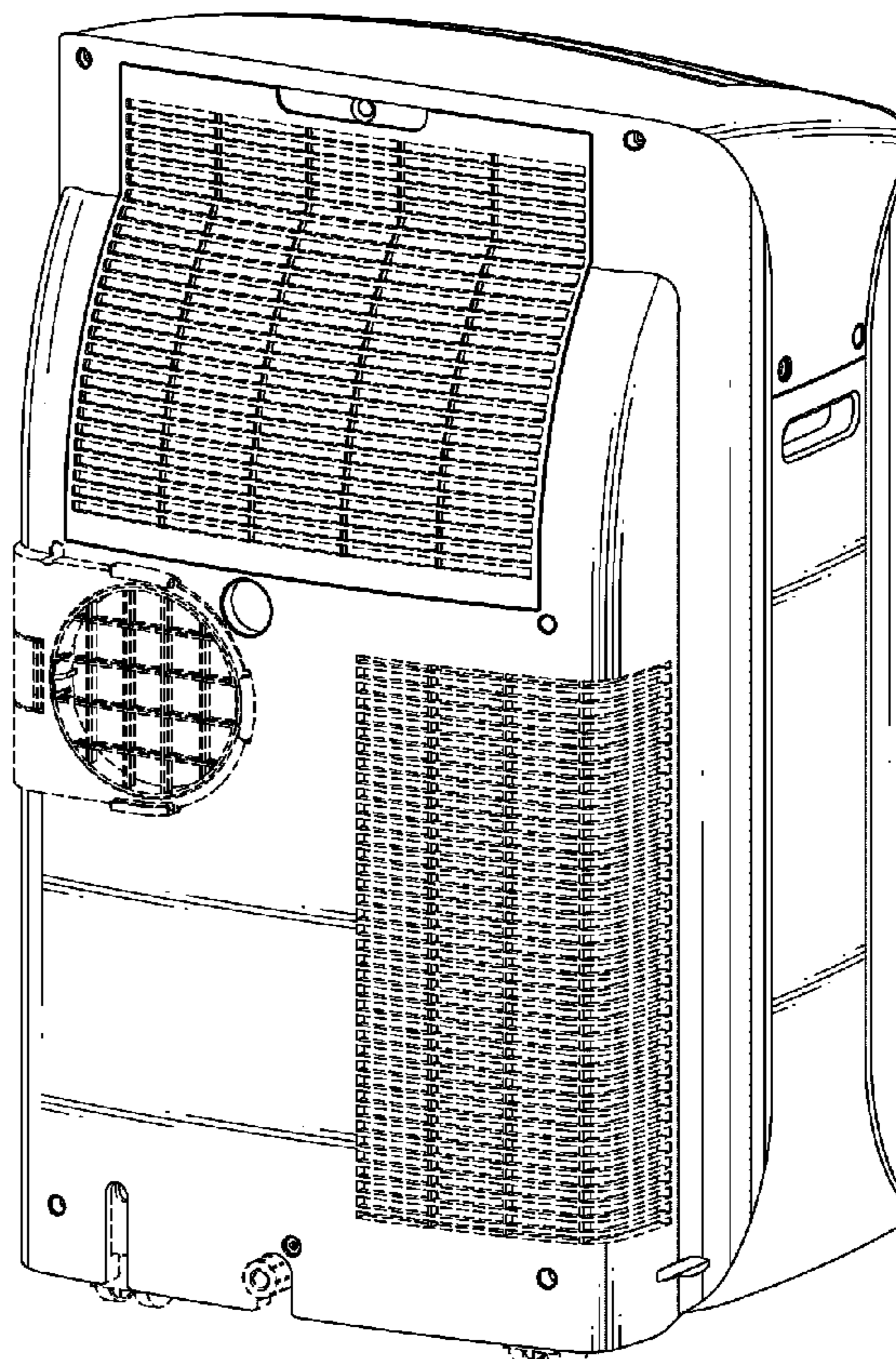
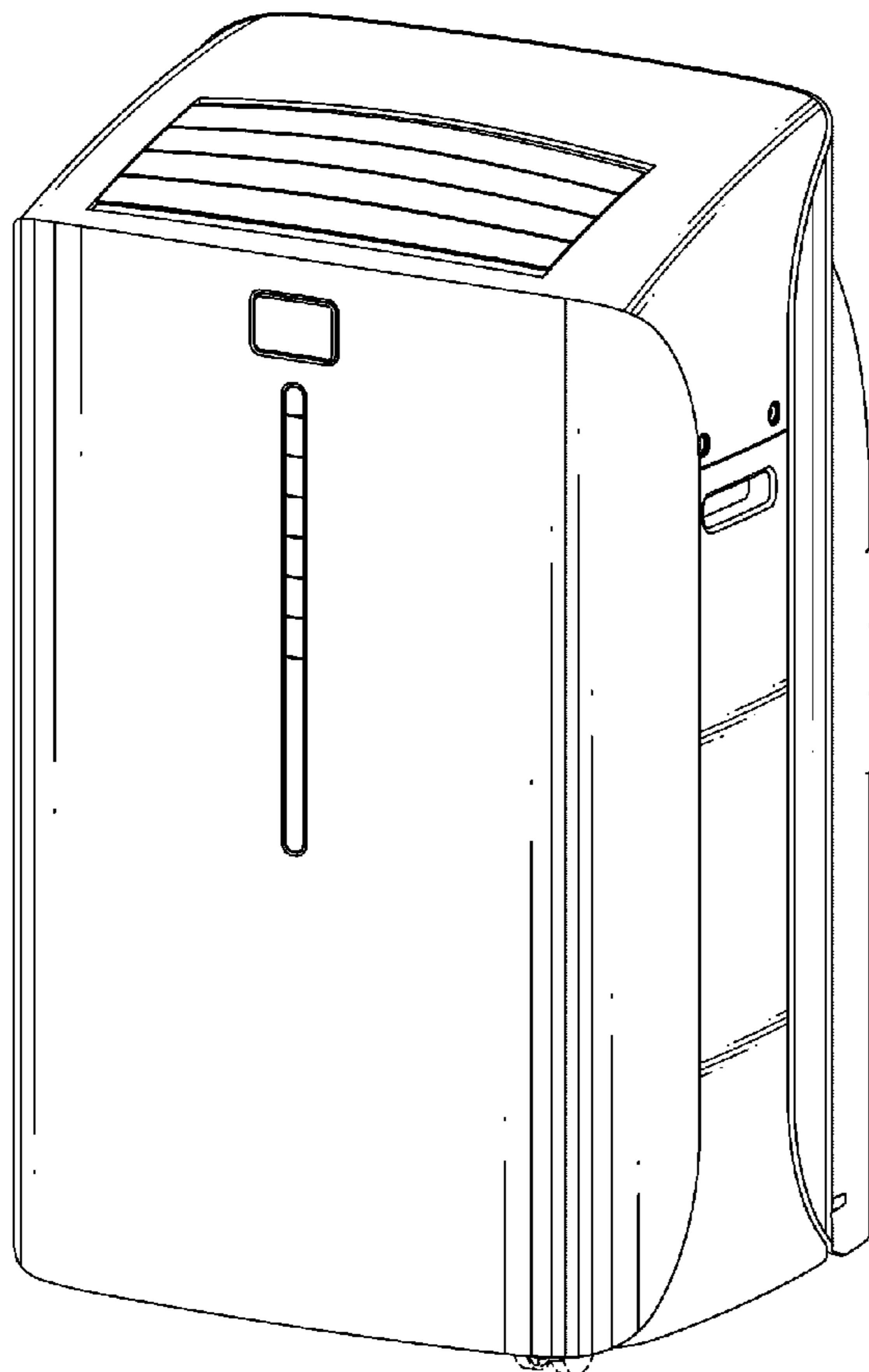
FIG. 1 is a perspective view of a portable air conditioner showing my new design;  
 FIG. 2 is a front view thereof;  
 FIG. 3 is a rear view thereof;  
 FIG. 4 is a left view thereof;  
 FIG. 5 is a right view thereof;  
 FIG. 6 is a top view thereof;  
 FIG. 7 is a bottom view thereof; and,  
 FIG. 8 is another perspective view thereof.  
 The broken-line disclosure represents unclaimed portions of the article in which the claimed design is embodied.

(56) **References Cited**

**U.S. PATENT DOCUMENTS**

- D319,306 S \* 8/1991 Yamazaki et al. .... D23/351
- D416,993 S \* 11/1999 Dong et al. .... D23/333
- D423,656 S \* 4/2000 De'Longhi ..... D23/333
- D448,836 S \* 10/2001 De' Longhi ..... D23/333

**1 Claim, 8 Drawing Sheets**



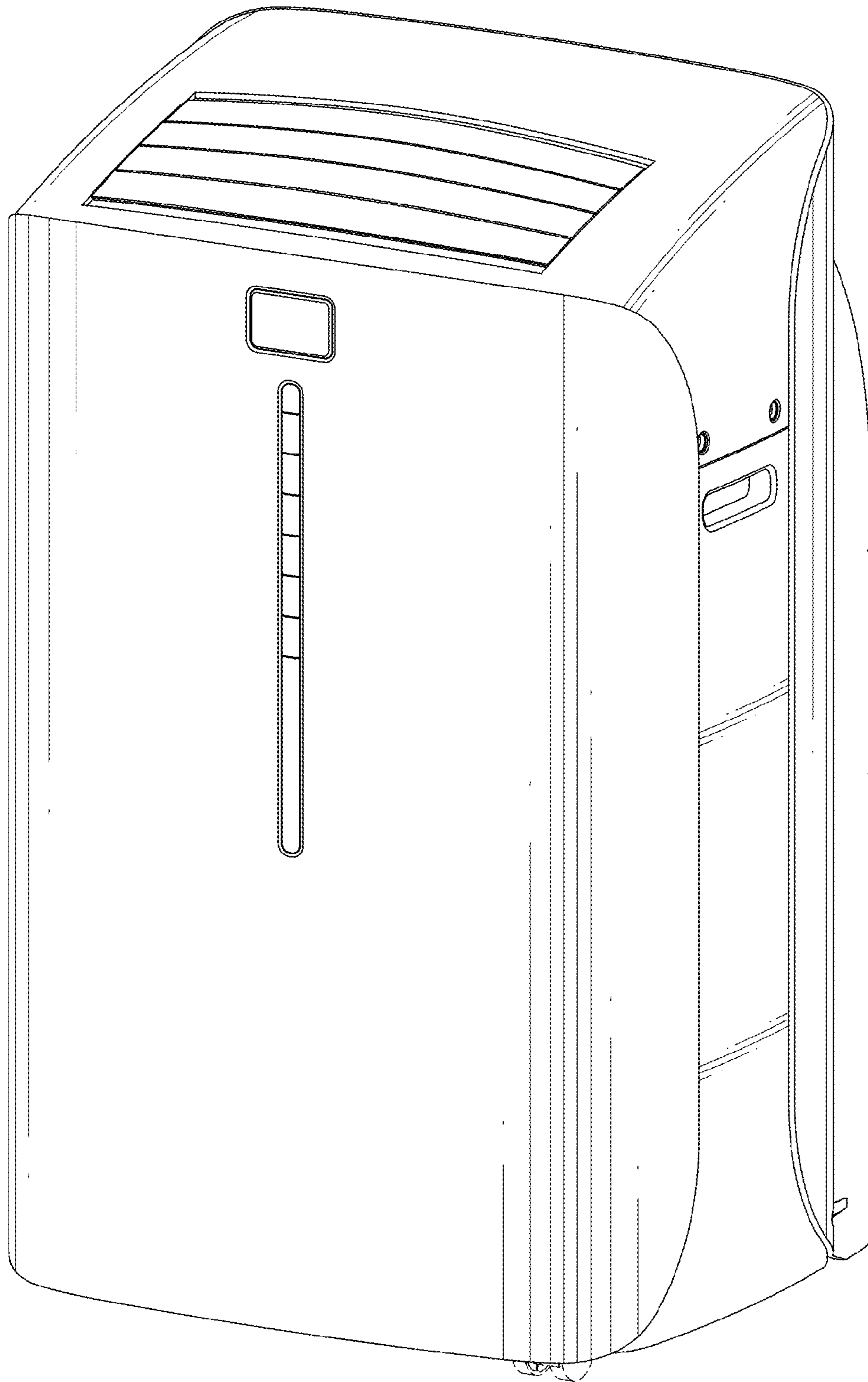


FIG.1

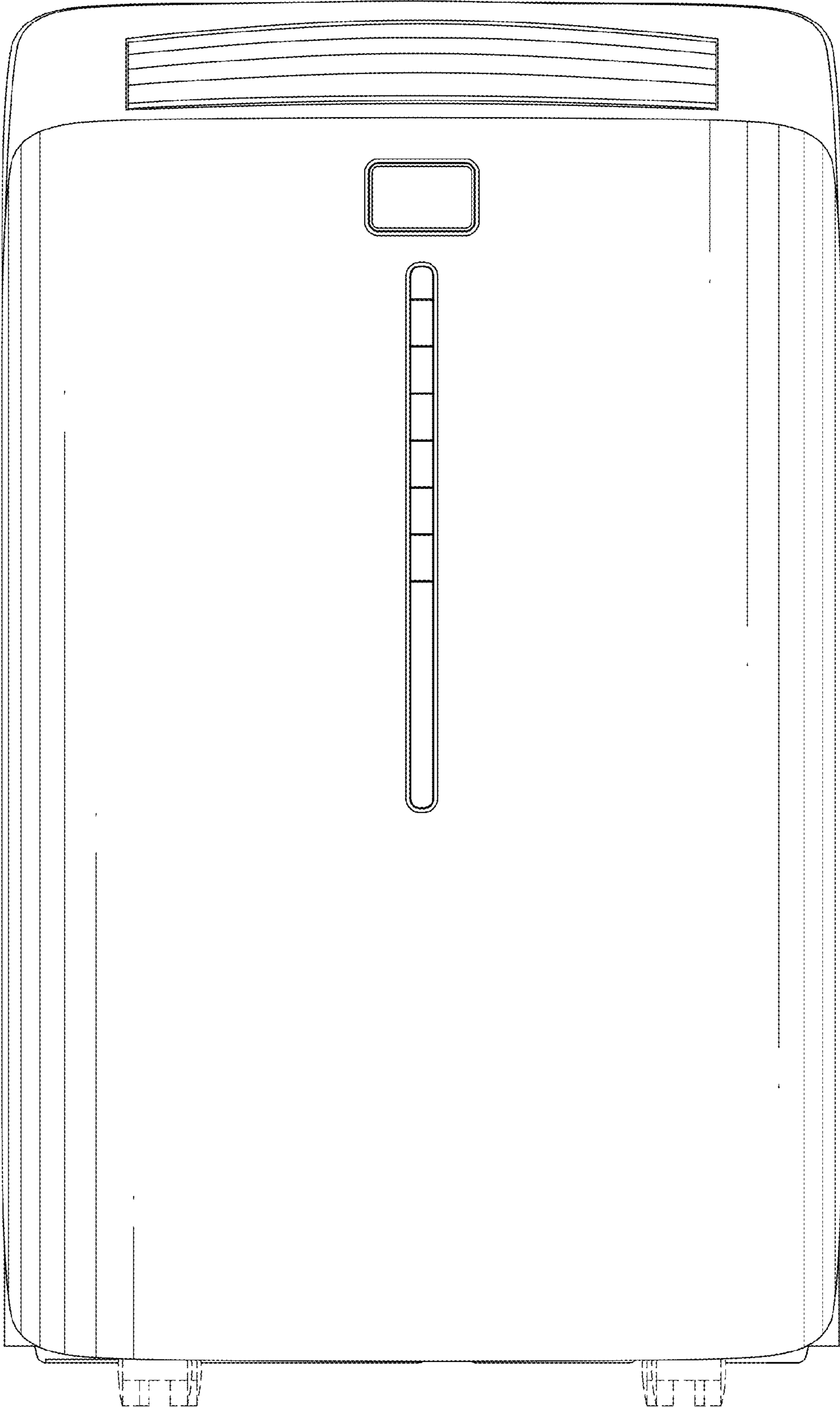


FIG.2



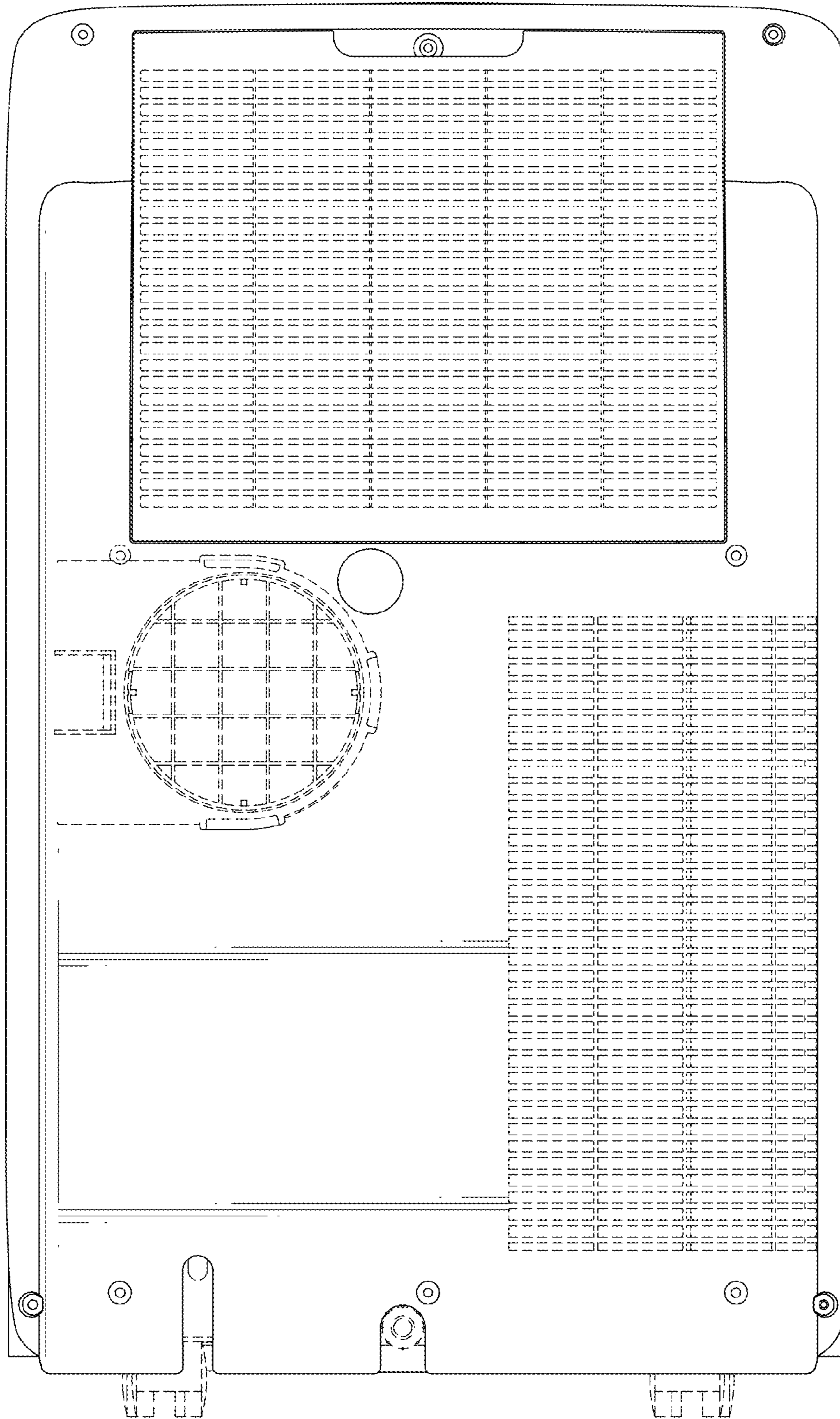


FIG.3

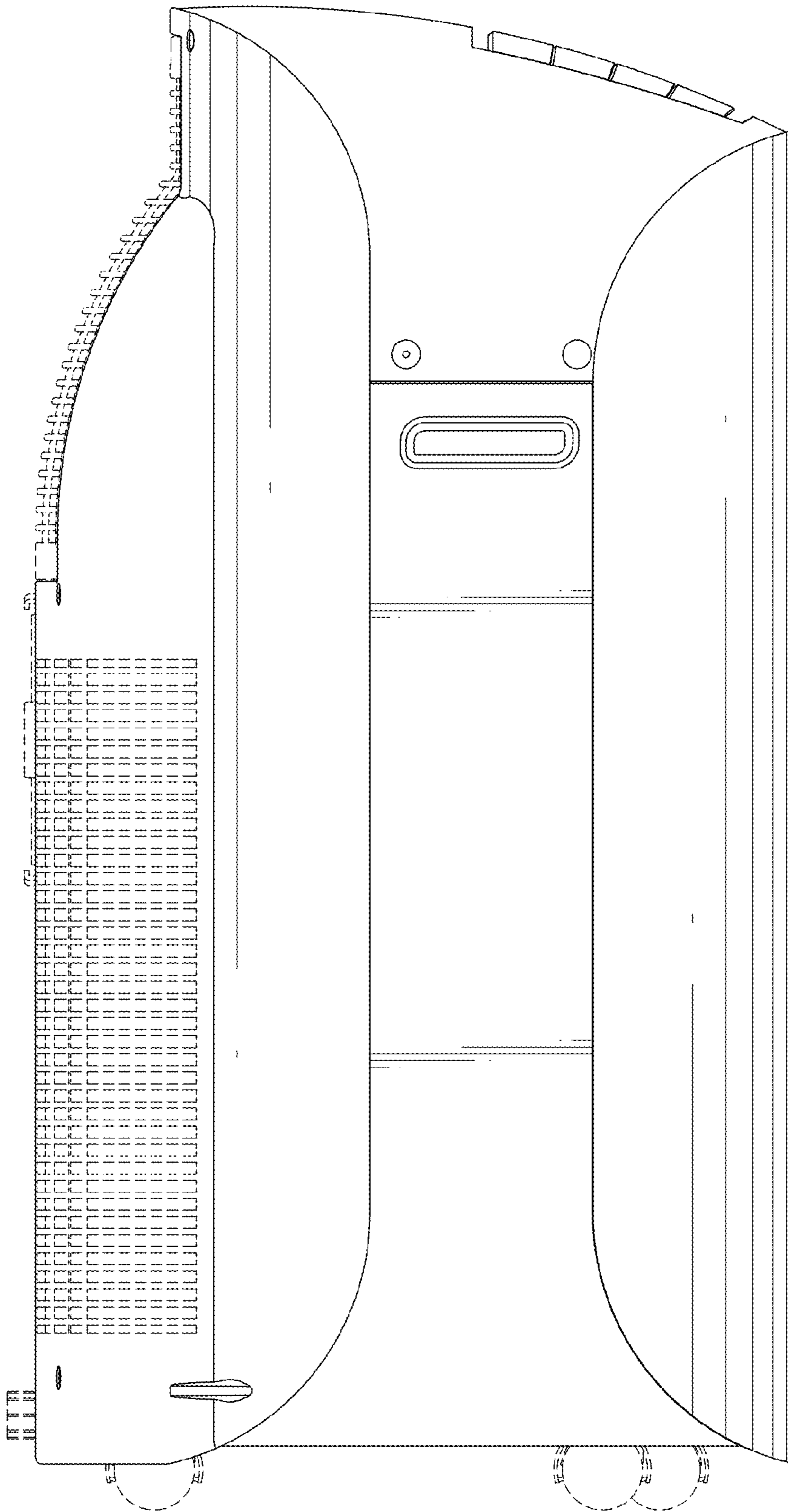


FIG.4

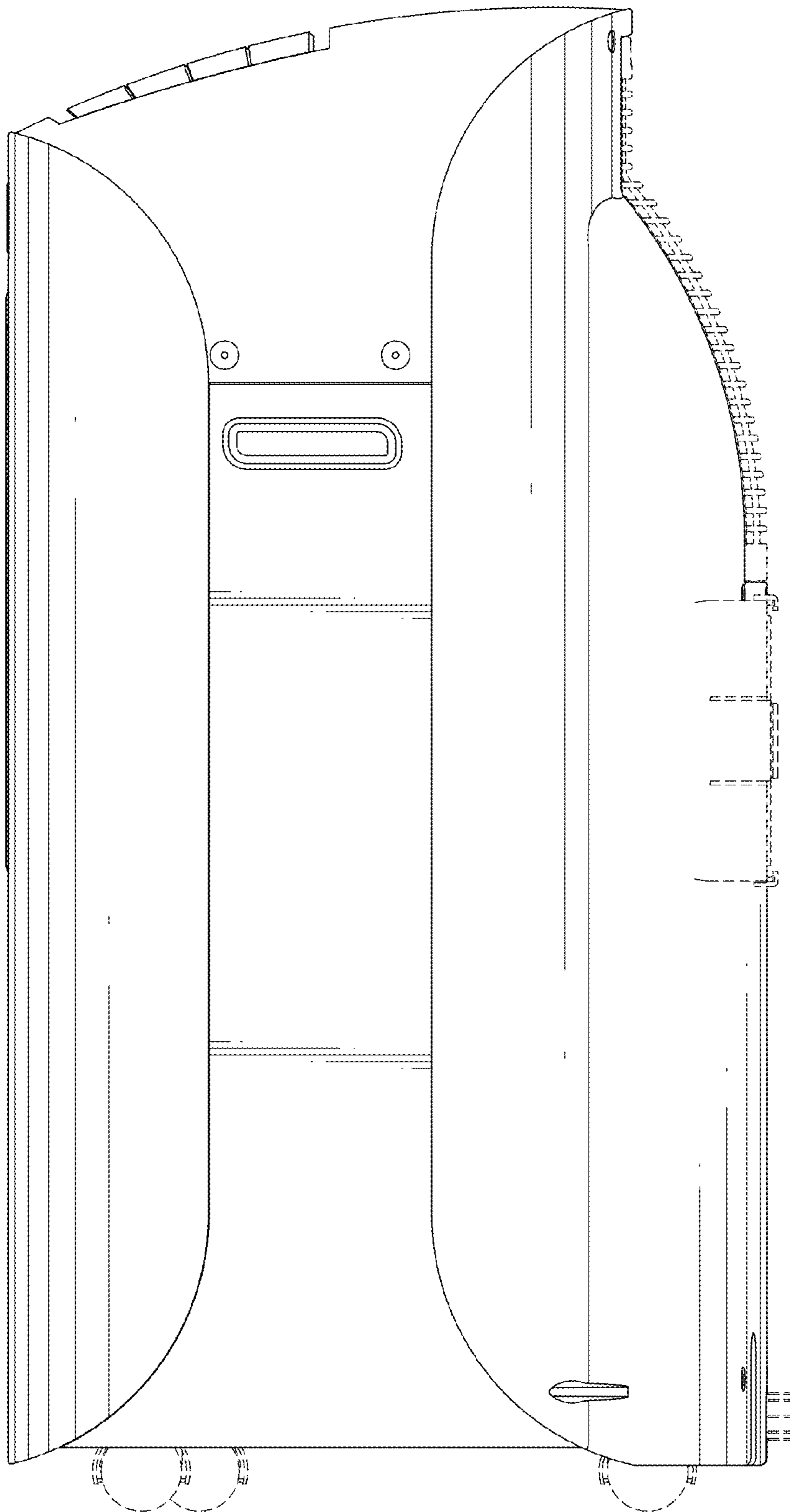


FIG.5

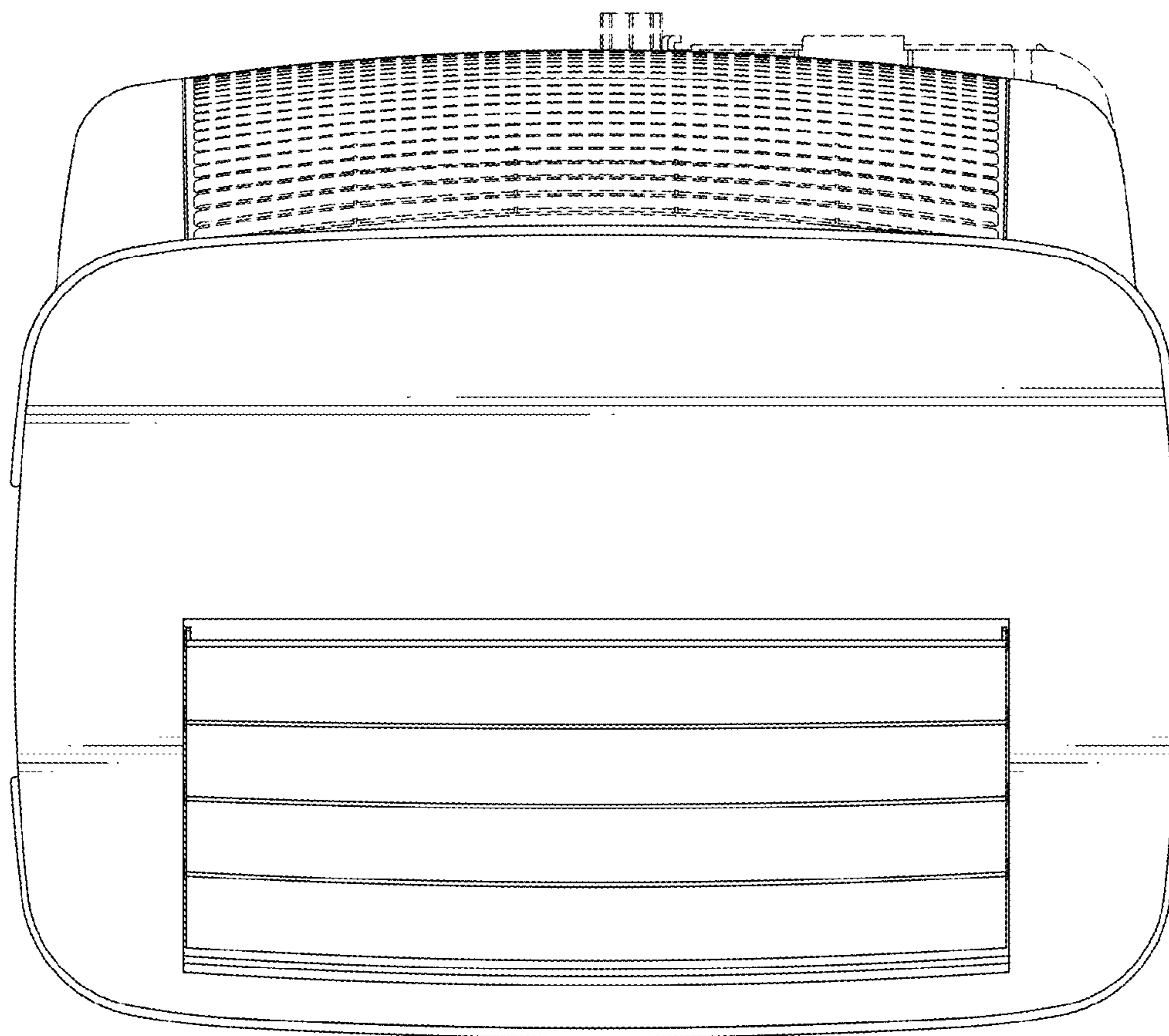


FIG.6

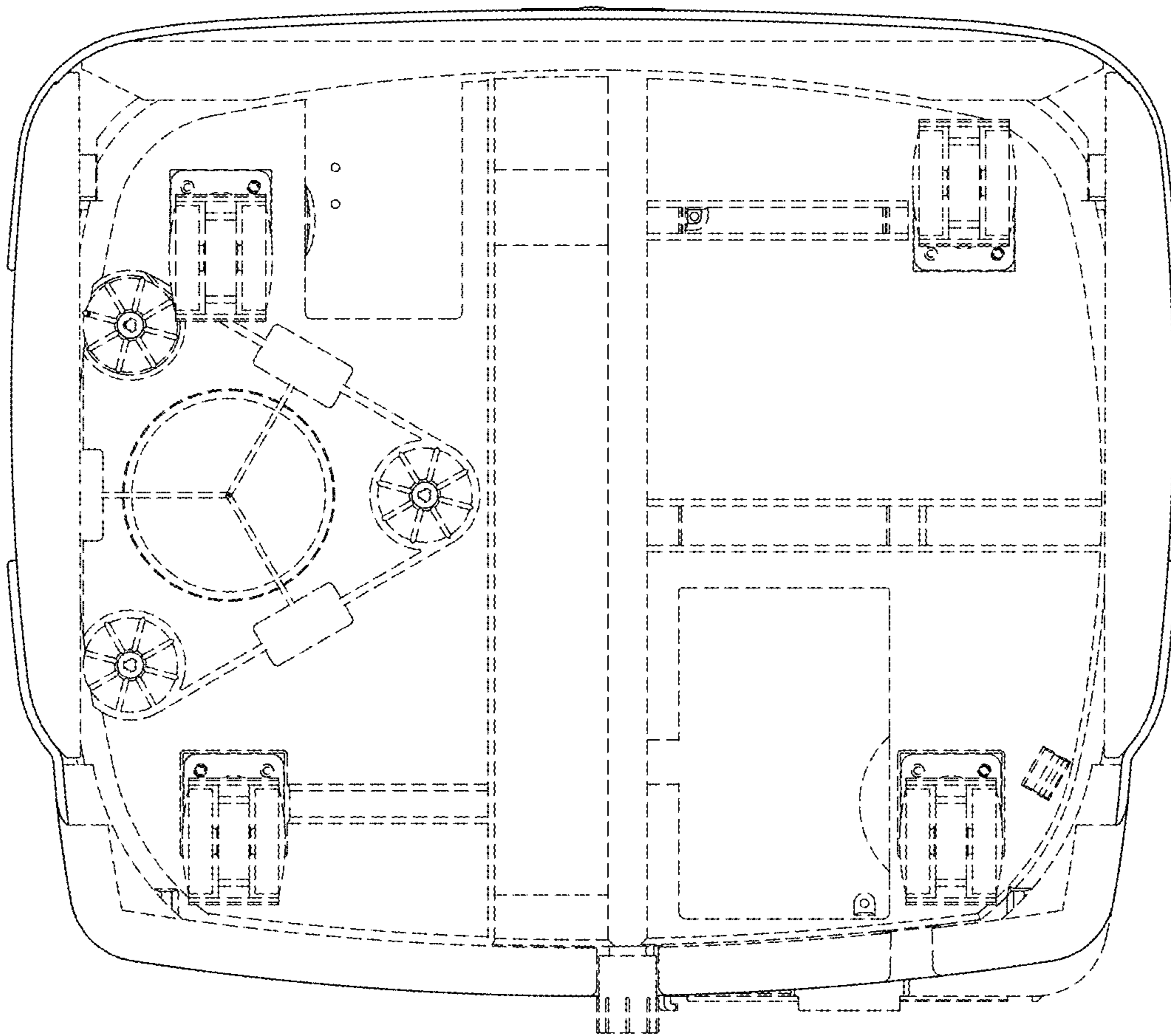


FIG.7



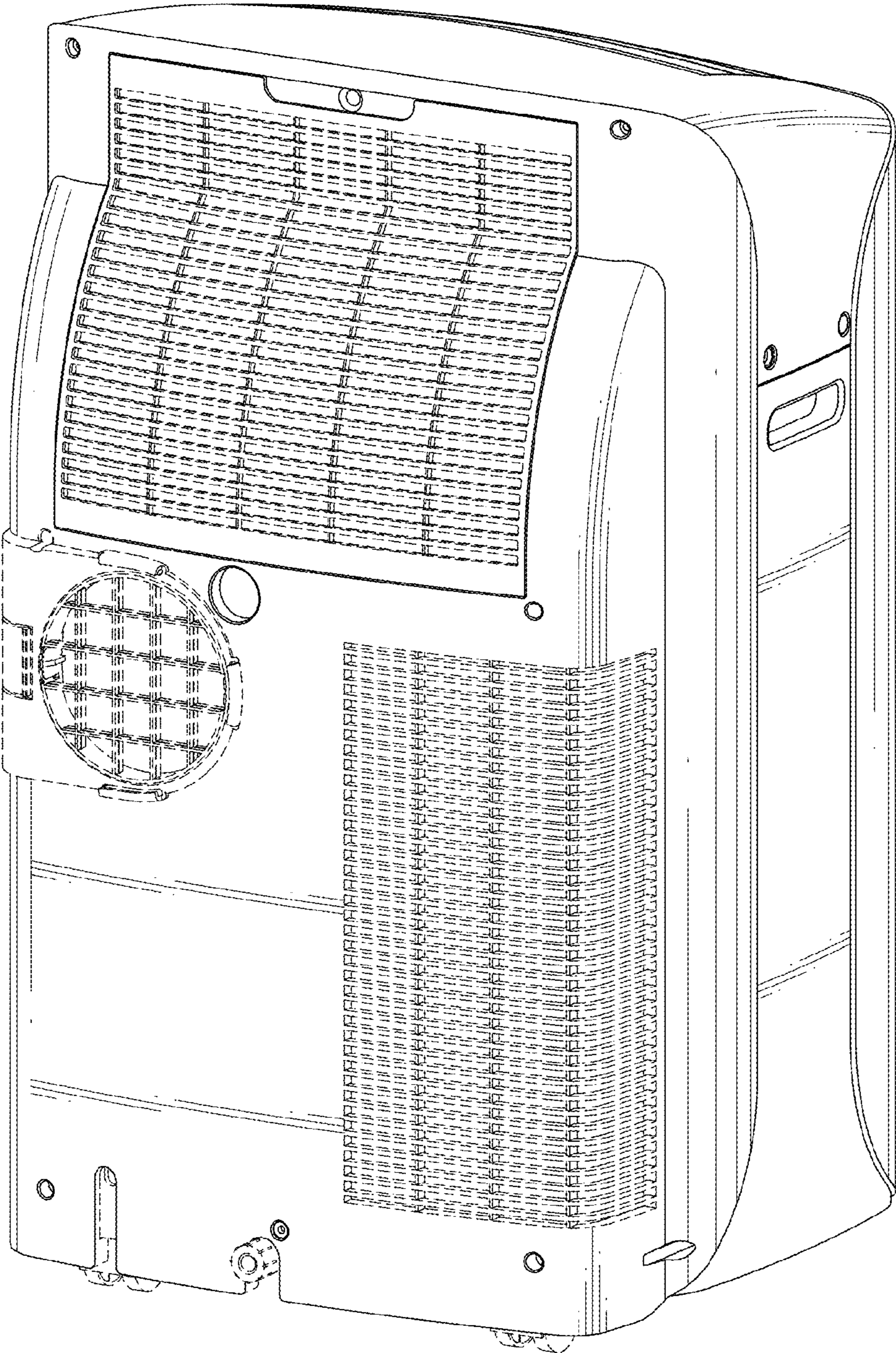


FIG.8