



US00D681788S

(12) **United States Design Patent**  
**Mizuno et al.**

(10) **Patent No.:** **US D681,788 S**  
(45) **Date of Patent:** **\*\* May 7, 2013**

(54) **AUTOMATIC SHAMPOO MACHINE**

(56) **References Cited**

(75) Inventors: **Osamu Mizuno**, Osaka (JP); **Mizuho Sakakibara**, Tokyo (JP); **Tohru Nakamura**, Osaka (JP); **Soichiro Fujioka**, Osaka (JP); **Toshinori Hirose**, Osaka (JP)

U.S. PATENT DOCUMENTS  
D482,820 S \* 11/2003 Minami ..... D28/20  
7,039,962 B2 \* 5/2006 Romfeld ..... 4/519  
D603,027 S \* 10/2009 DeBoer et al. .... D23/286  
D658,276 S \* 4/2012 Enomoto et al. .... D23/289

(73) Assignee: **Panasonic Corporation**, Osaka (JP)

\* cited by examiner

*Primary Examiner* — Robert Delehanty

(\*\*) Term: **14 Years**

(74) *Attorney, Agent, or Firm* — Brinks Hofer Gilson & Lione

(21) Appl. No.: **29/417,029**

(57) **CLAIM**

We claim the ornamental design for an automatic shampoo machine, as shown and described.

(22) Filed: **Mar. 29, 2012**

**DESCRIPTION**

(30) **Foreign Application Priority Data**

Oct. 3, 2011 (JP) ..... 2011-022622

FIG. 1 is a front perspective view of an automatic shampoo machine of the present invention;  
FIG. 2 is a front view thereof;  
FIG. 3 is a rear view thereof;  
FIG. 4 is a first side view thereof;  
FIG. 5 is a second side view thereof;  
FIG. 6 is a top view thereof;  
FIG. 7 is a bottom view thereof; and,  
FIG. 8 is a cross-section view taken along the line 8-8 of FIG. 2.

(51) **LOC (9) Cl.** ..... **23-02**

(52) **U.S. Cl.**  
USPC ..... **D23/308**

The broken lines shown represent unclaimed subject matter and form no part of the claimed design. Additionally, the unevenly broken lines in the drawings define the limits of the claimed design.

(58) **Field of Classification Search** ..... D23/284,  
D23/286, 289, 308; 4/515, 517, 519, 520

See application file for complete search history.

**1 Claim, 8 Drawing Sheets**

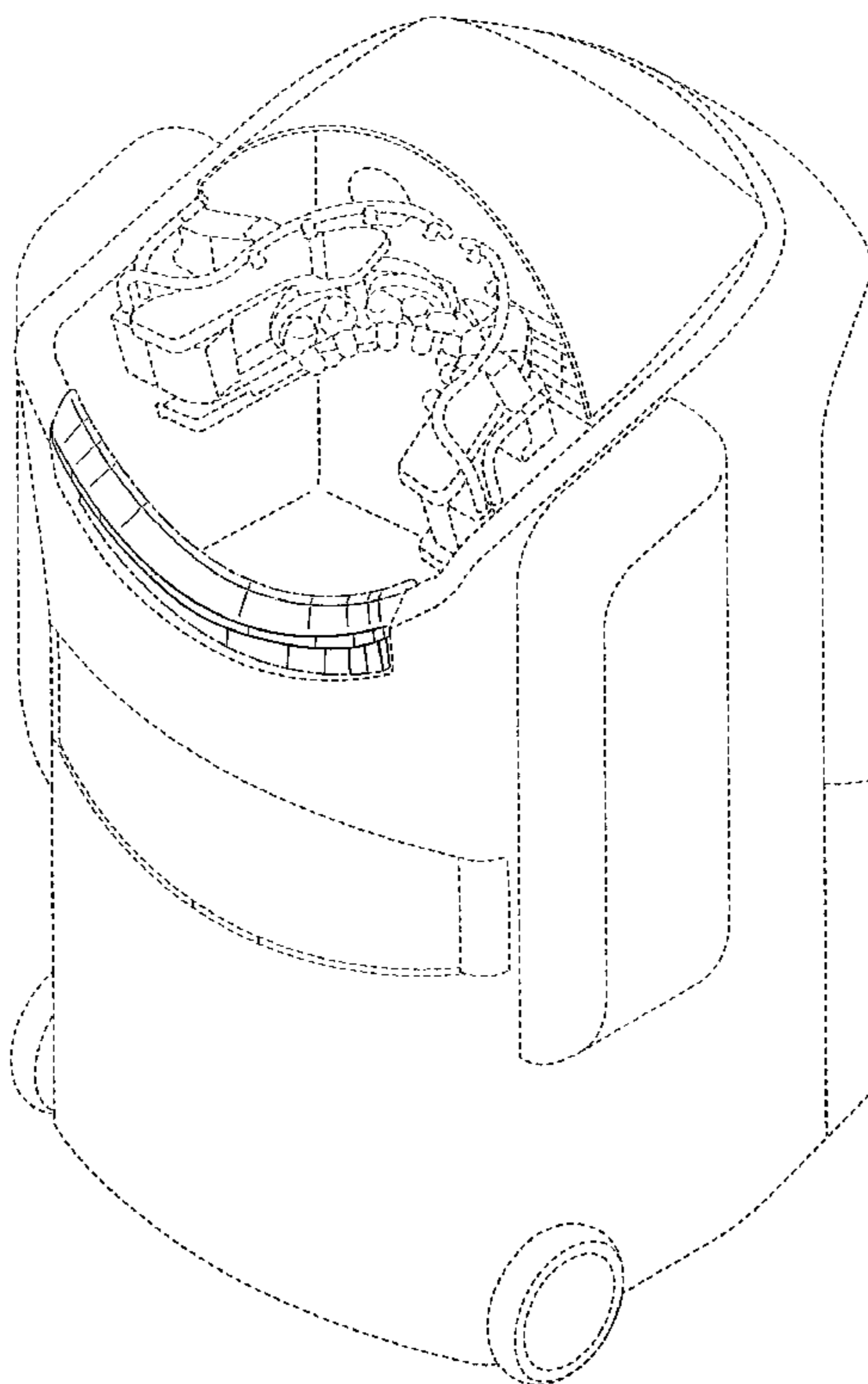


FIG.1

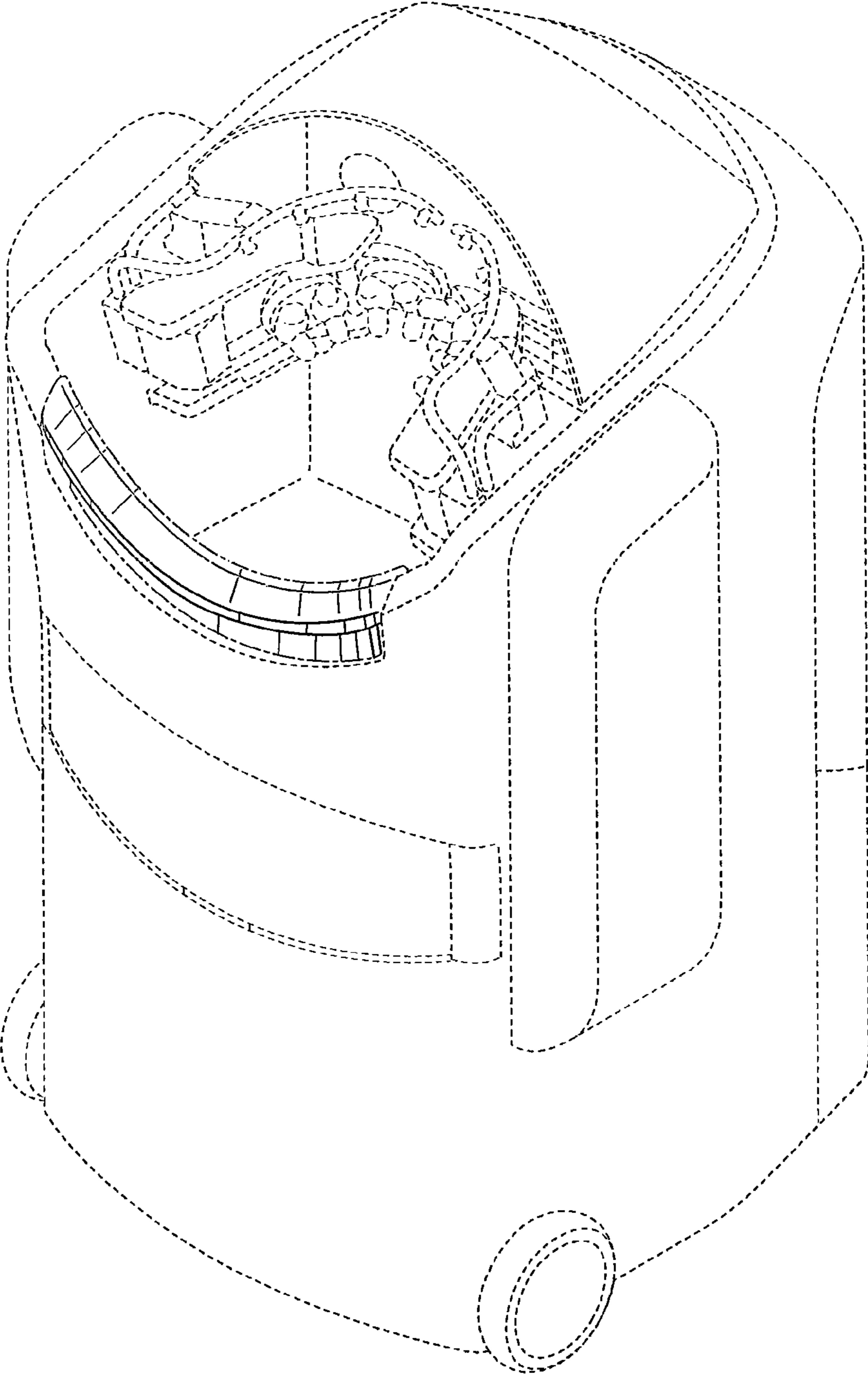


FIG.2

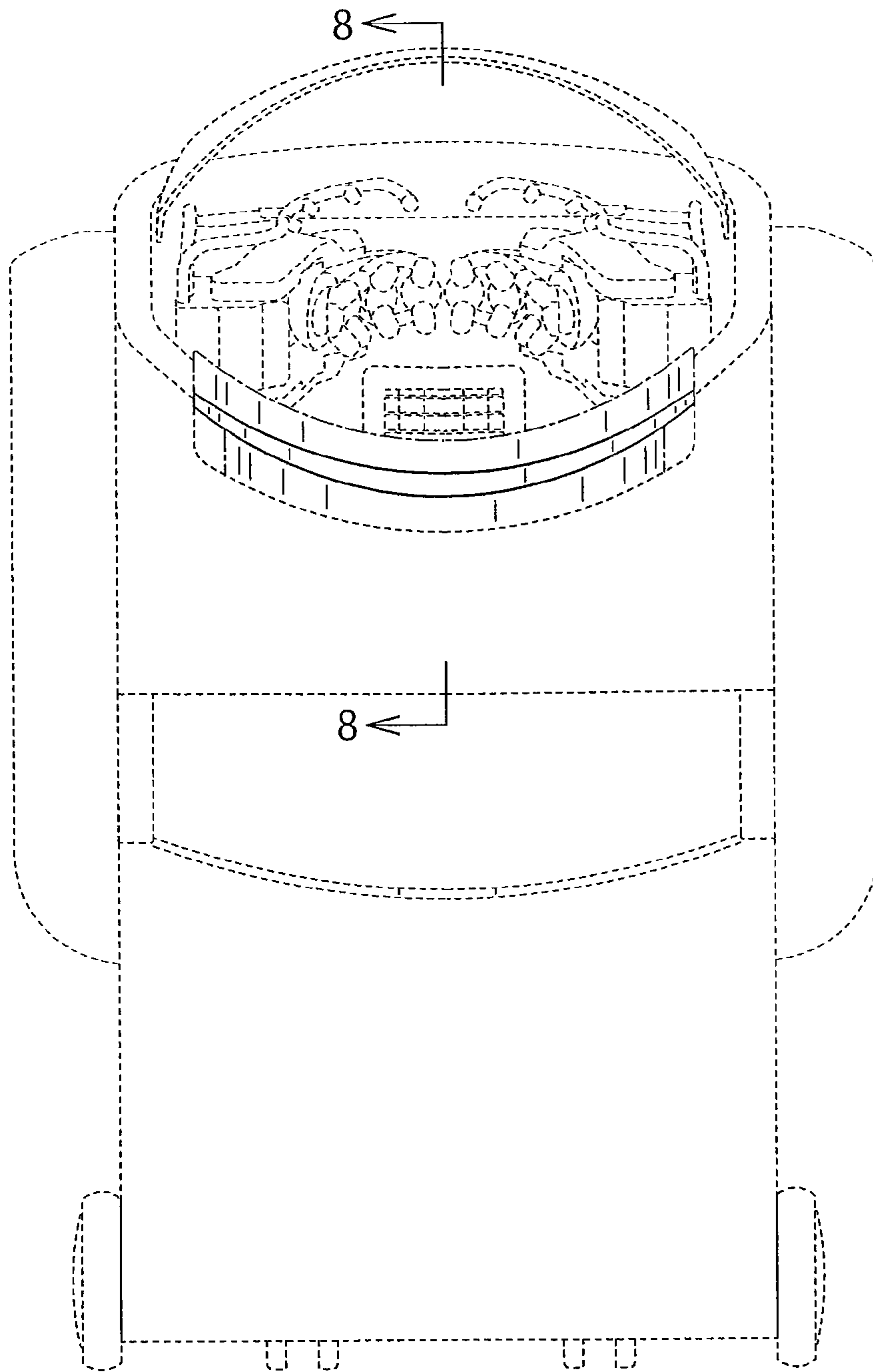


FIG.3

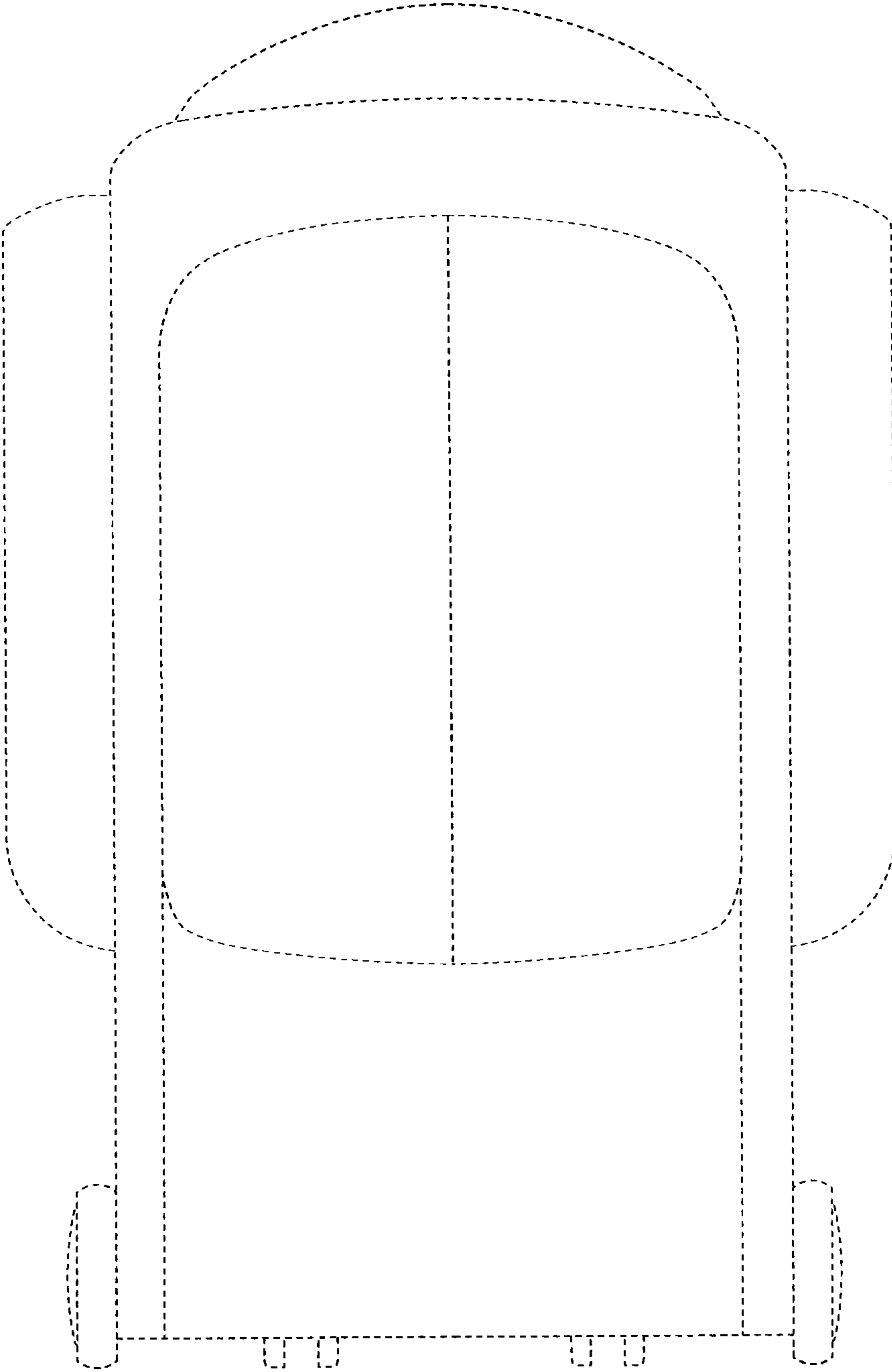


FIG.4

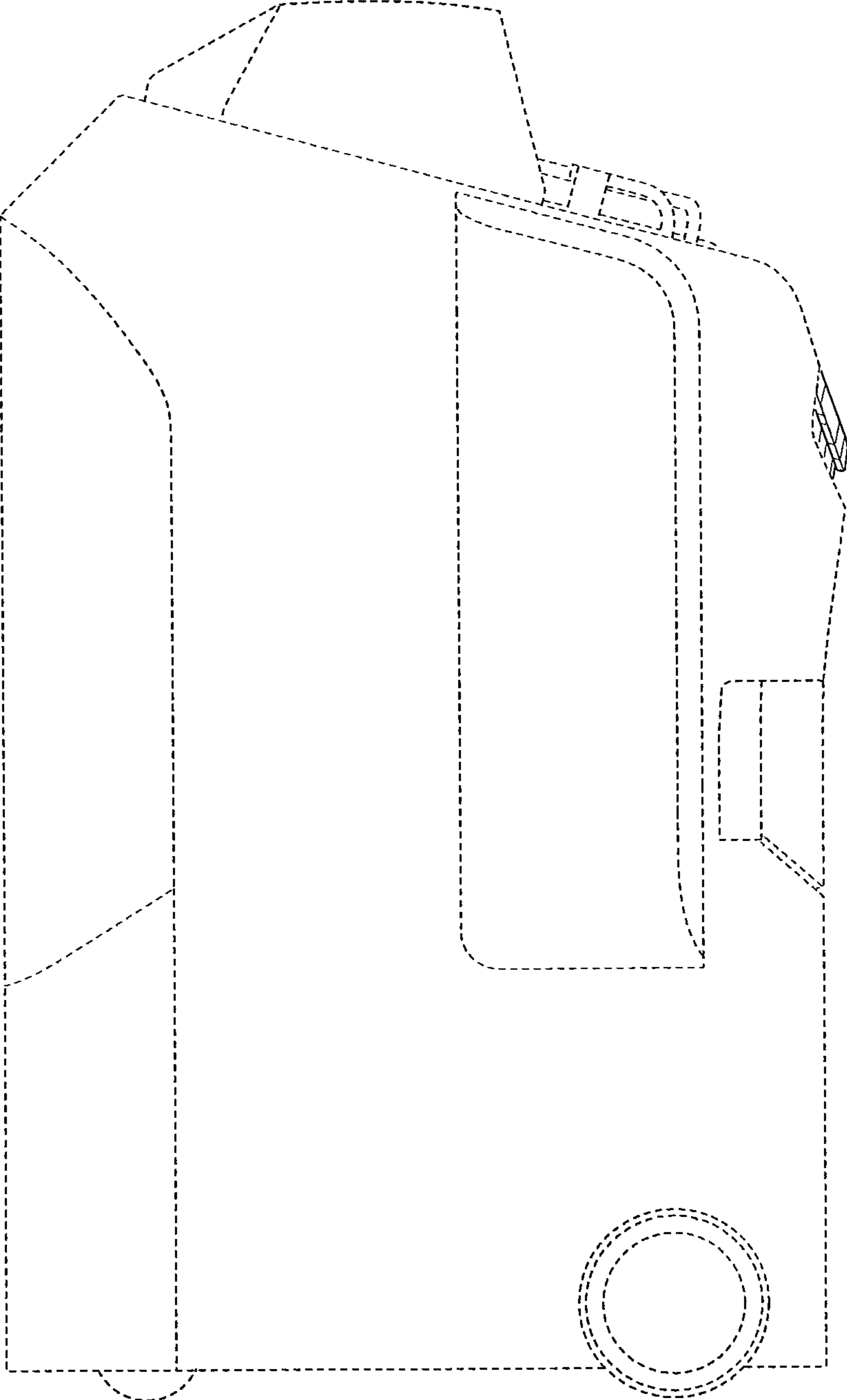


FIG.5

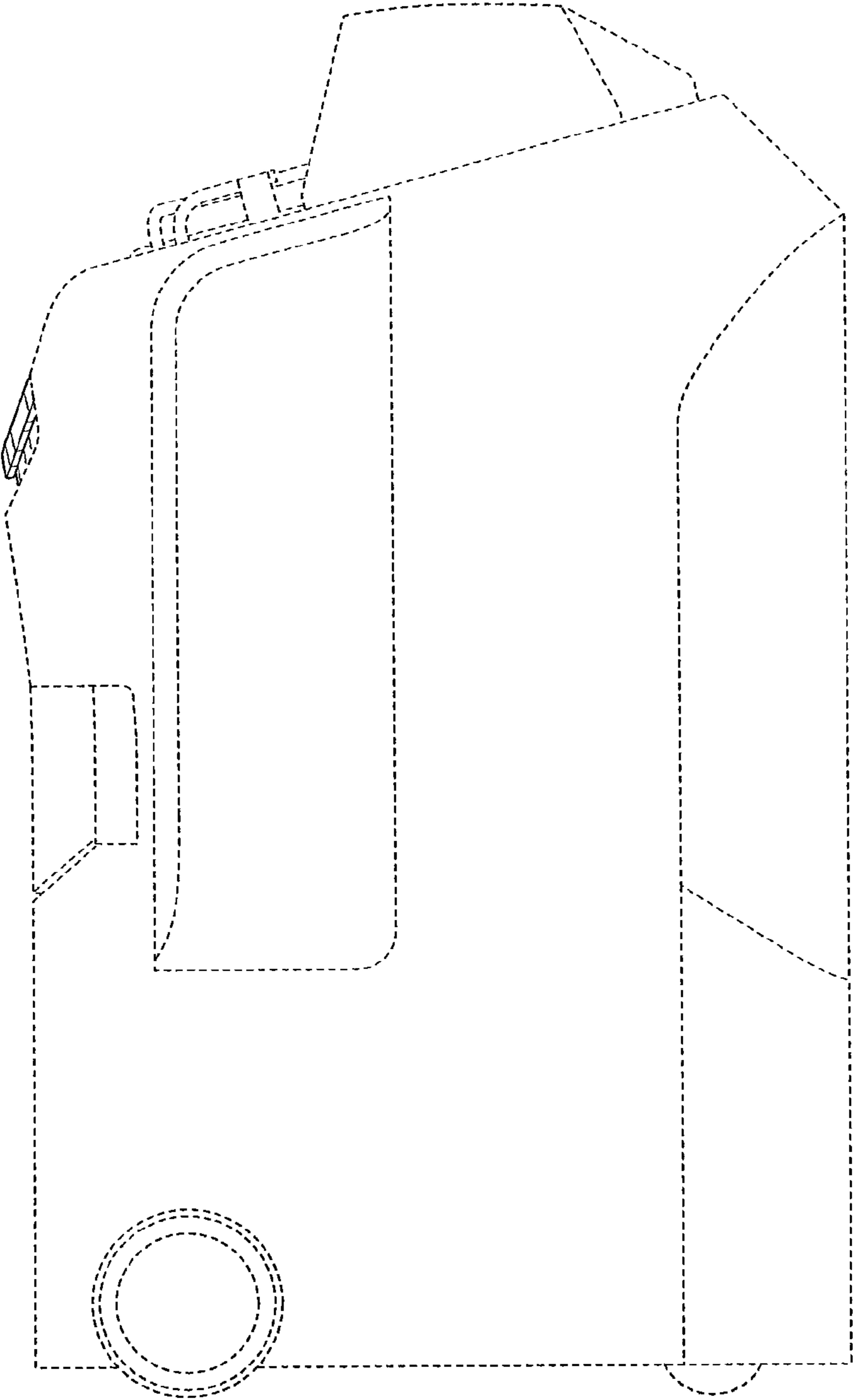


FIG.6

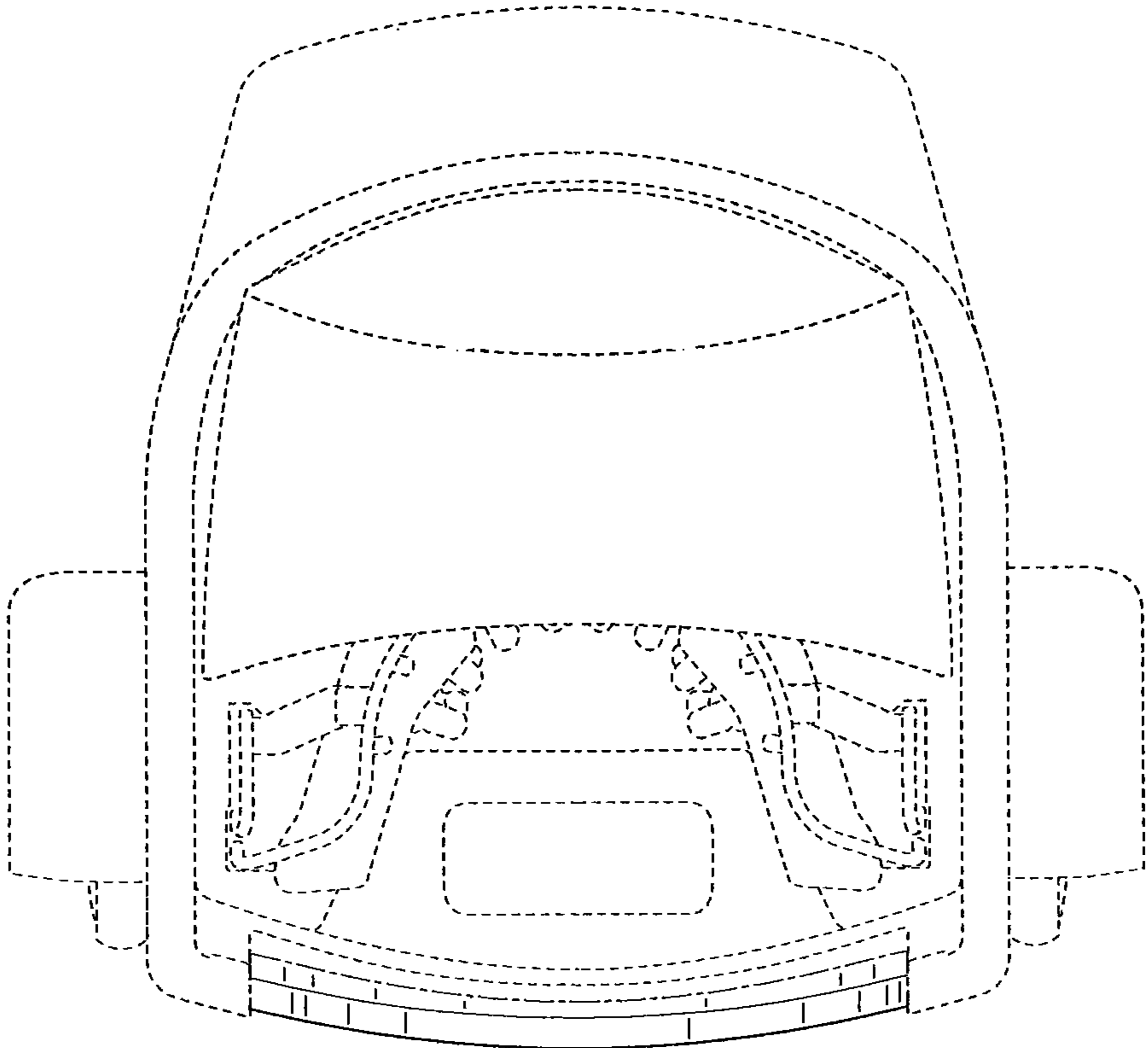


FIG.7

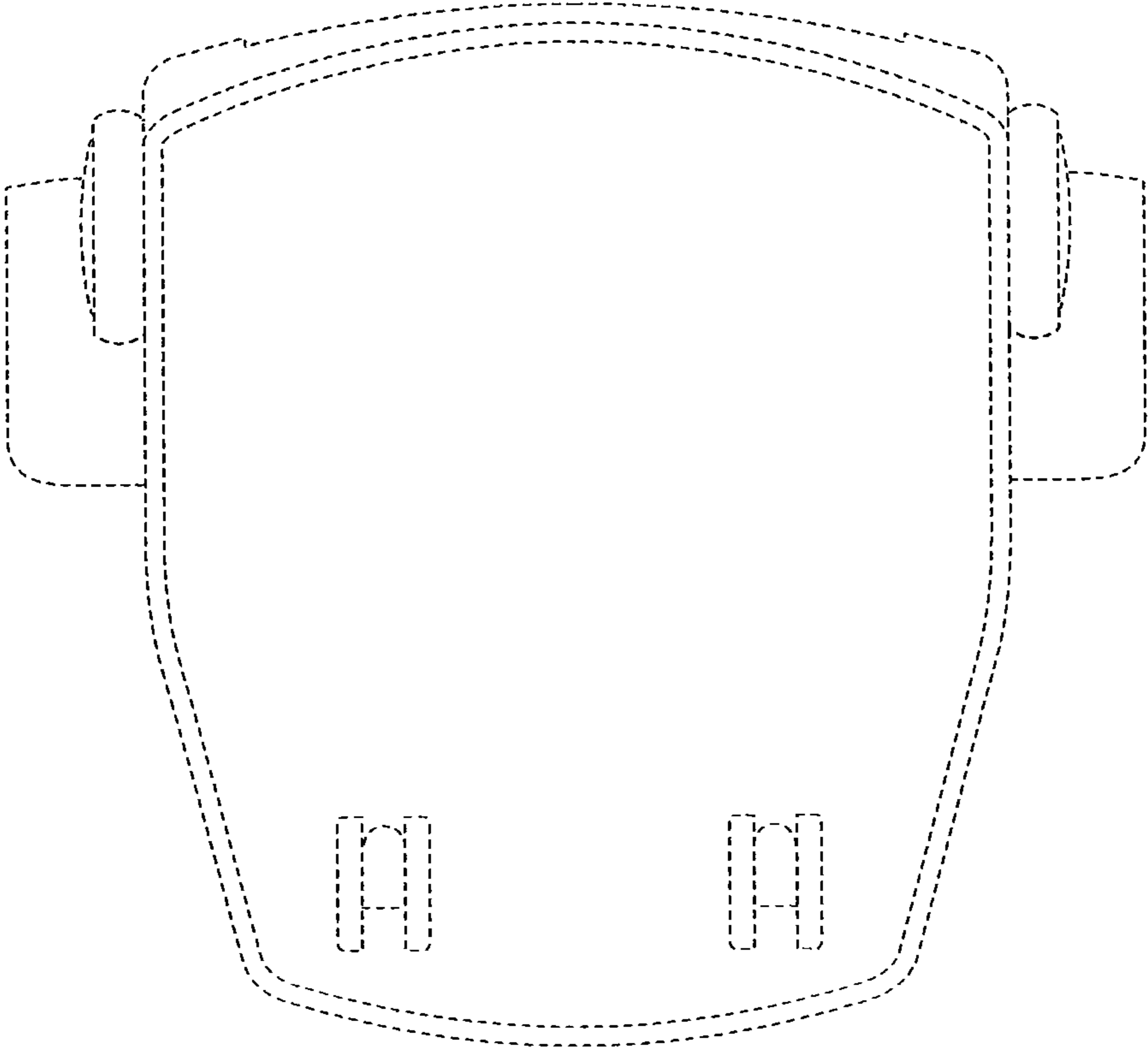




FIG.8

