



US00D681787S

(12) **United States Design Patent**  
**Mizuno et al.**

(10) **Patent No.:** **US D681,787 S**

(45) **Date of Patent:** **\*\* May 7, 2013**

(54) **AUTOMATIC SHAMPOO MACHINE**

(75) Inventors: **Osamu Mizuno**, Osaka (JP); **Mizuho Sakakibara**, Tokyo (JP); **Tohru Nakamura**, Osaka (JP); **Soichiro Fujioka**, Osaka (JP); **Toshinori Hirose**, Osaka (JP)

(73) Assignee: **Panasonic Corporation**, Osaka (JP)

(\*\*) Term: **14 Years**

(21) Appl. No.: **29/417,028**

(22) Filed: **Mar. 29, 2012**

(30) **Foreign Application Priority Data**

Oct. 3, 2011 (JP) ..... 2011-022620

(51) **LOC (9) Cl.** ..... **23-02**

(52) **U.S. Cl.**  
USPC ..... **D23/308**

(58) **Field of Classification Search** ..... D23/284,  
D23/286, 289, 308; 4/515, 517, 519, 520  
See application file for complete search history.

(56) **References Cited**

**U.S. PATENT DOCUMENTS**

5,289,597	A *	3/1994	Sidola	.....	4/519
5,450,636	A *	9/1995	Graeber	.....	4/520
6,291,051	B1 *	9/2001	Shimizu	.....	4/517
6,931,674	B1 *	8/2005	Dean	.....	4/519

D535,728	S *	1/2007	Helmetsie	.....	D23/286
D539,395	S *	3/2007	Ritterling	.....	D23/286
D603,027	S *	10/2009	DeBoer et al.	.....	D23/286

\* cited by examiner

*Primary Examiner* — Robert Delehanty

(74) *Attorney, Agent, or Firm* — Brinks Hofer Gilson & Lione

(57) **CLAIM**

We claim the ornamental design for an automatic shampoo machine, as shown and described.

**DESCRIPTION**

FIG. 1 is a front perspective view of an automatic shampoo machine of the present invention;  
 FIG. 2 is a front view thereof;  
 FIG. 3 is a rear view thereof;  
 FIG. 4 is a first side view thereof;  
 FIG. 5 is a second side view thereof;  
 FIG. 6 is a top view thereof;  
 FIG. 7 is a bottom view thereof;  
 FIG. 8 is a front perspective view thereof shown with the front panel in an open position;  
 FIG. 9 is a cross-section view taken along the line 9-9 of FIG. 8; and,  
 FIG. 10 is a cross-section view taken along the line 10-10 of FIG. 2.

The broken lines shown represent unclaimed subject matter and form no part of the claimed design. Additionally, the unevenly broken lines in the drawings define the limits of the claimed design.

**1 Claim, 10 Drawing Sheets**

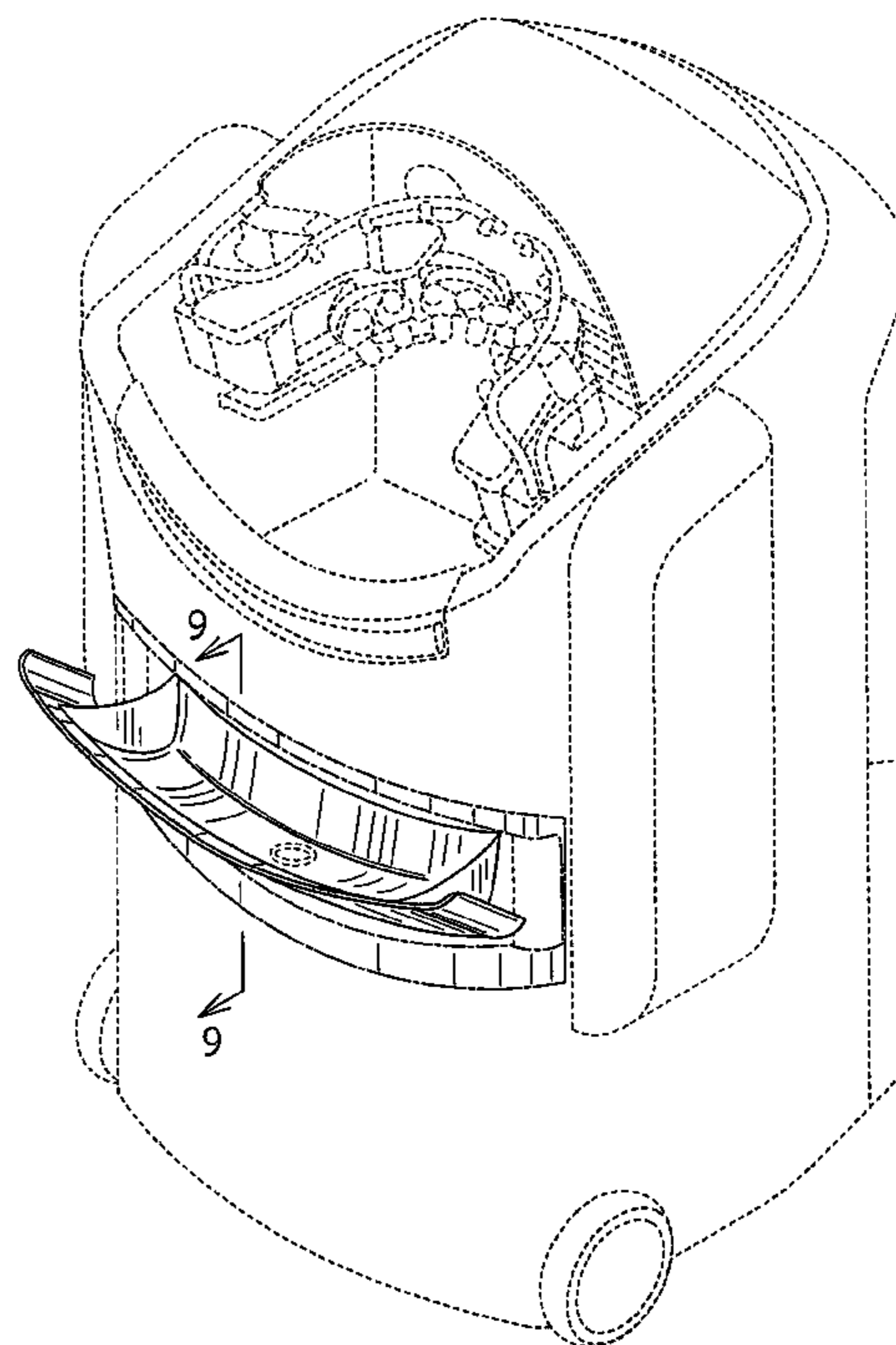
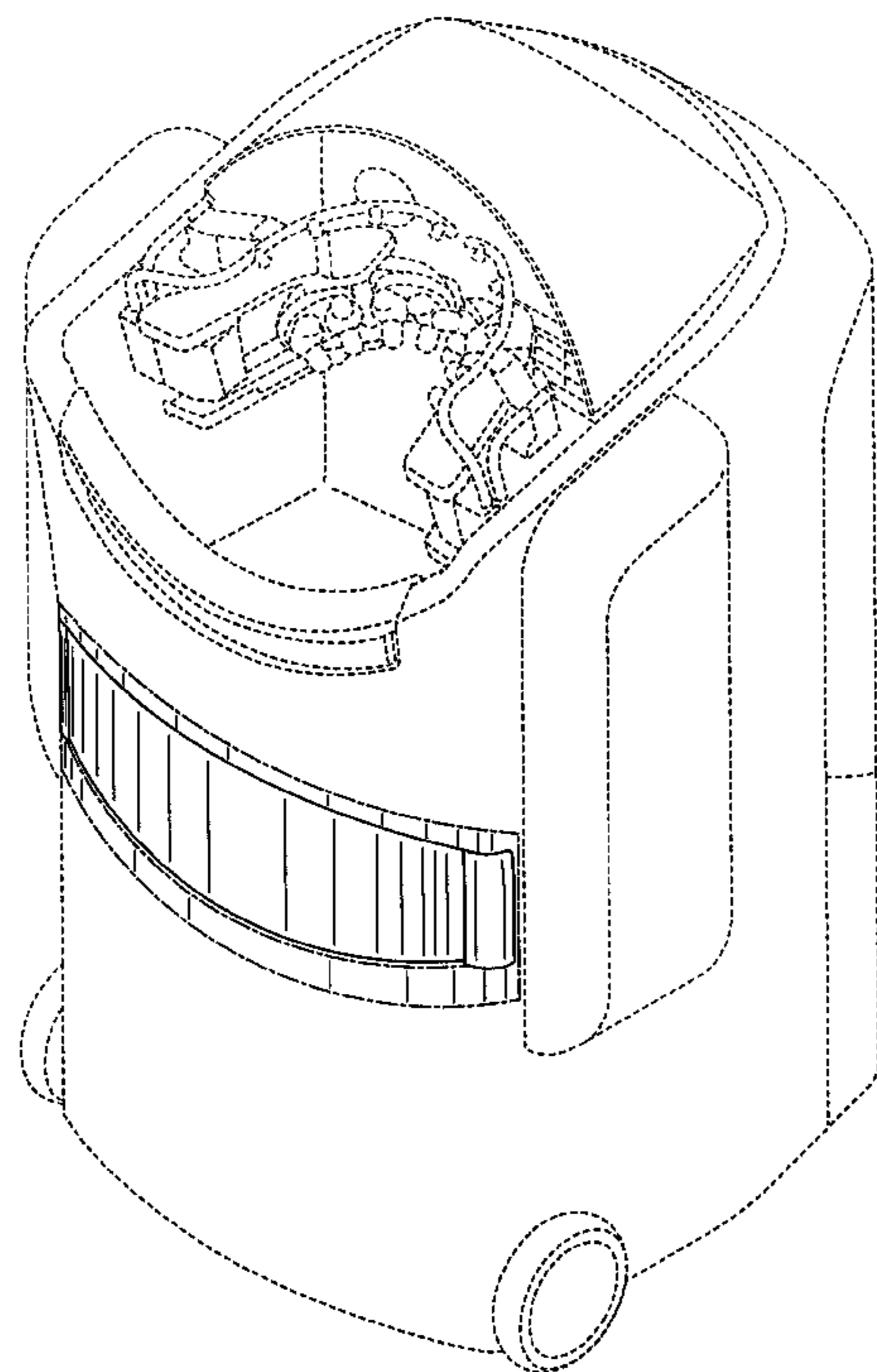


FIG.1

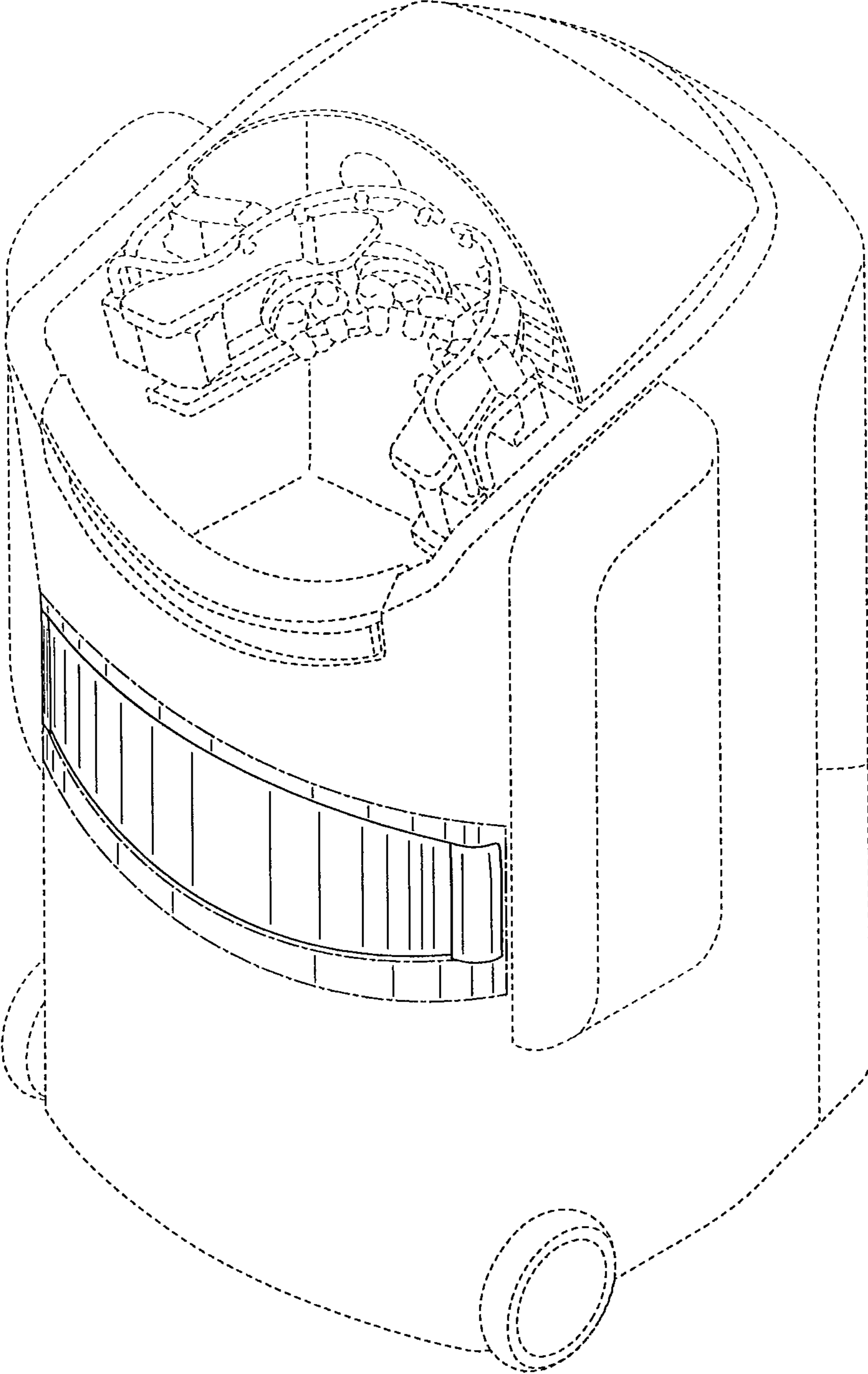


FIG.2

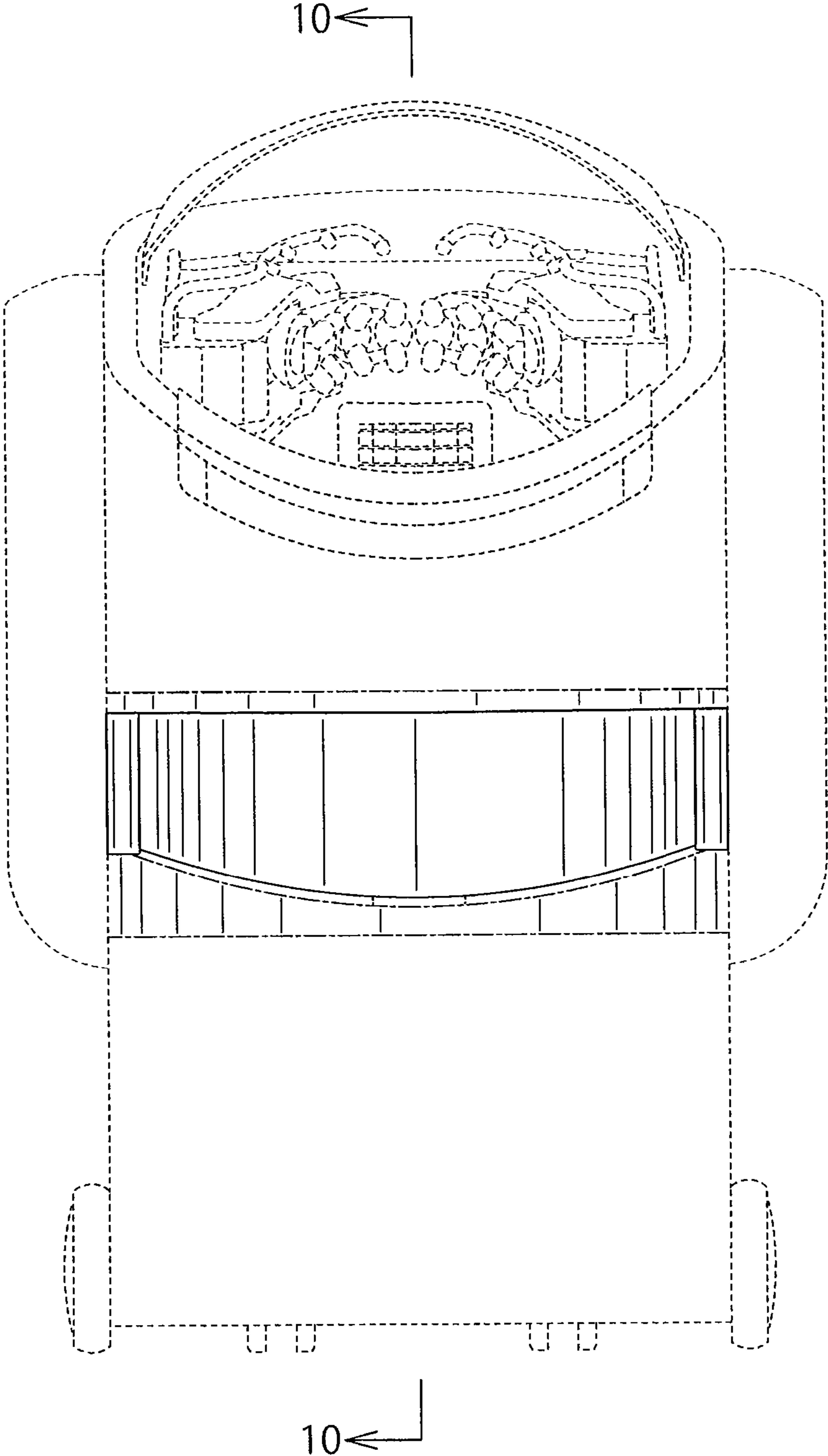


FIG.3

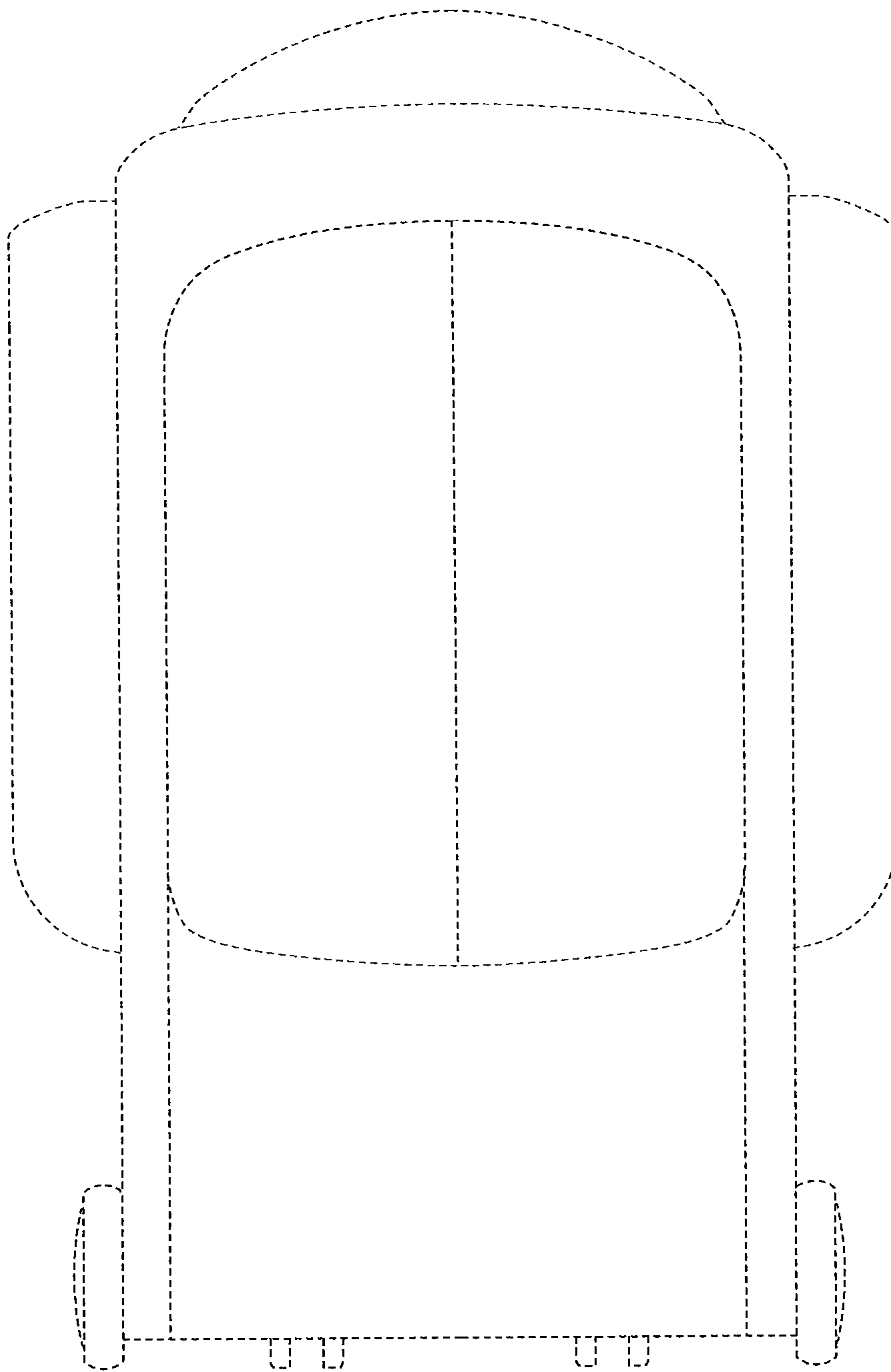


FIG.4

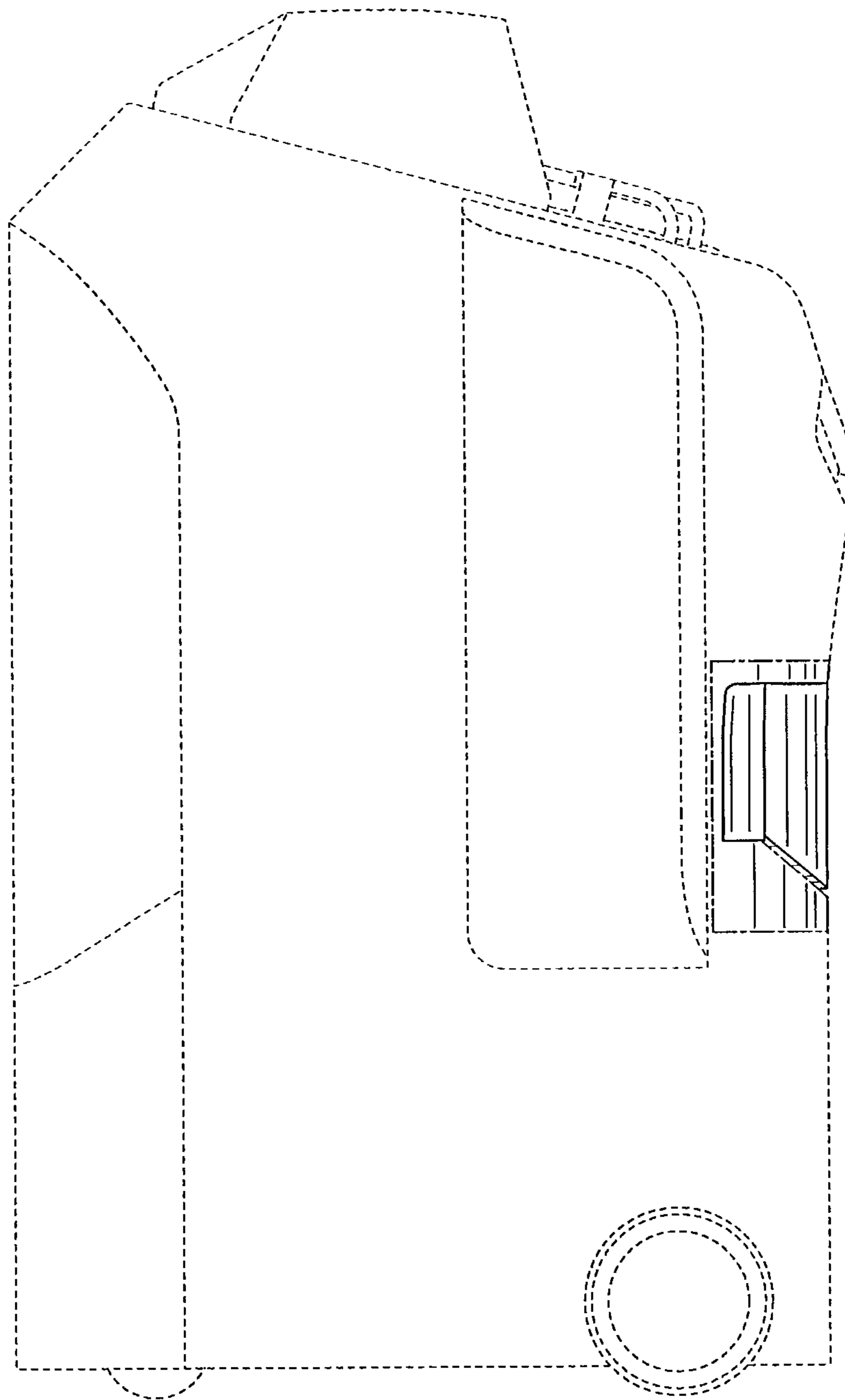


FIG.5

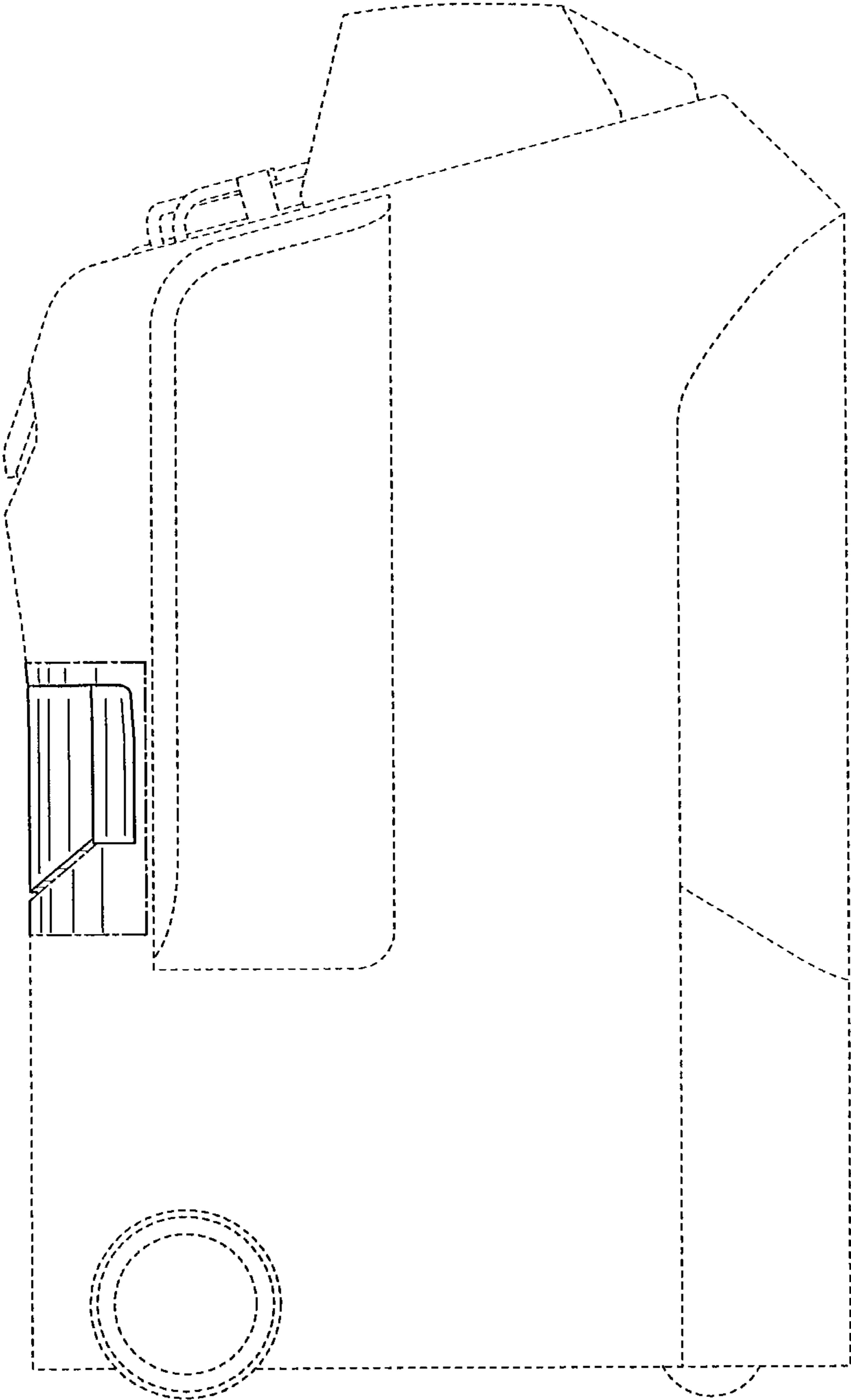


FIG.6

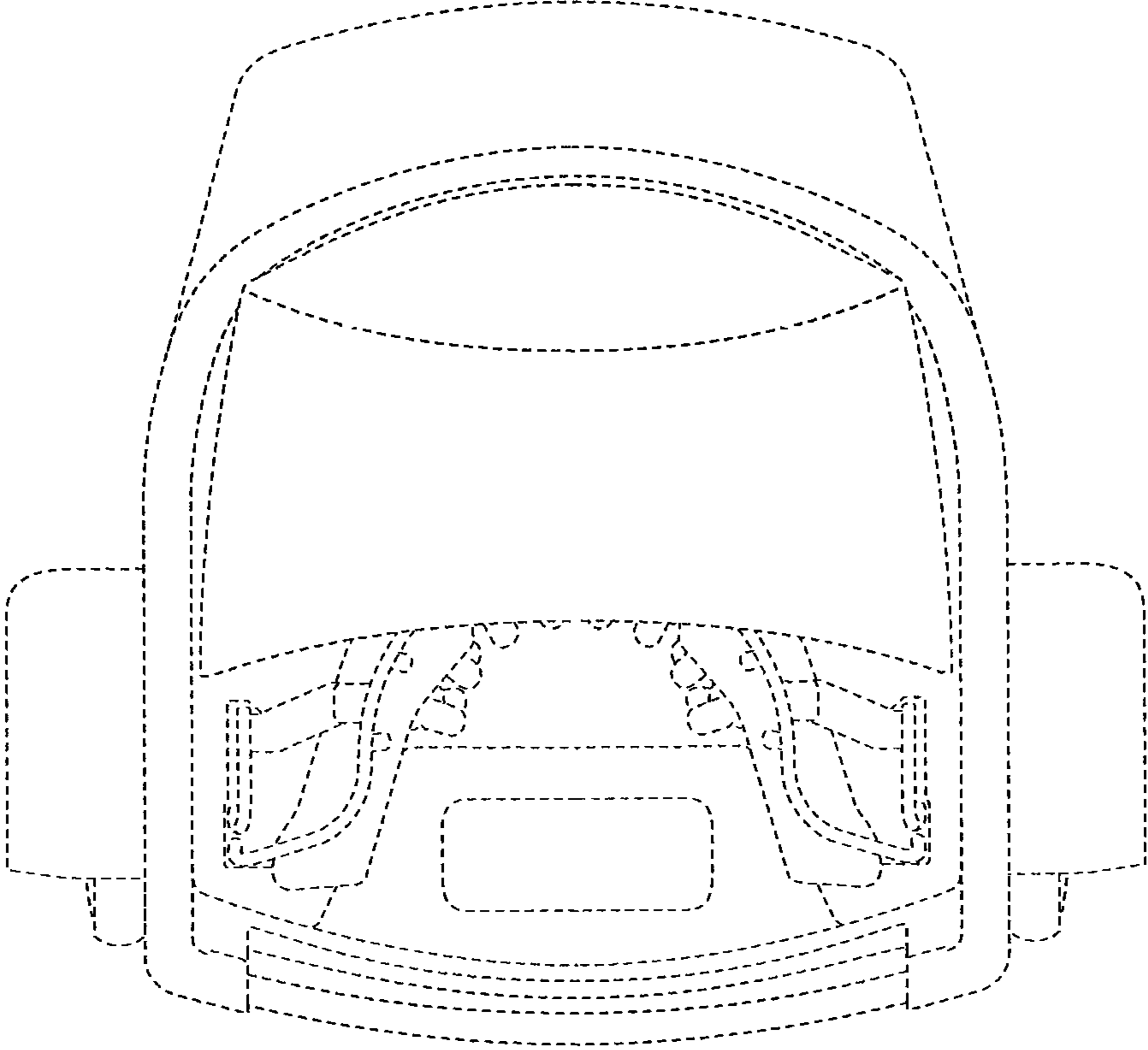


FIG.7

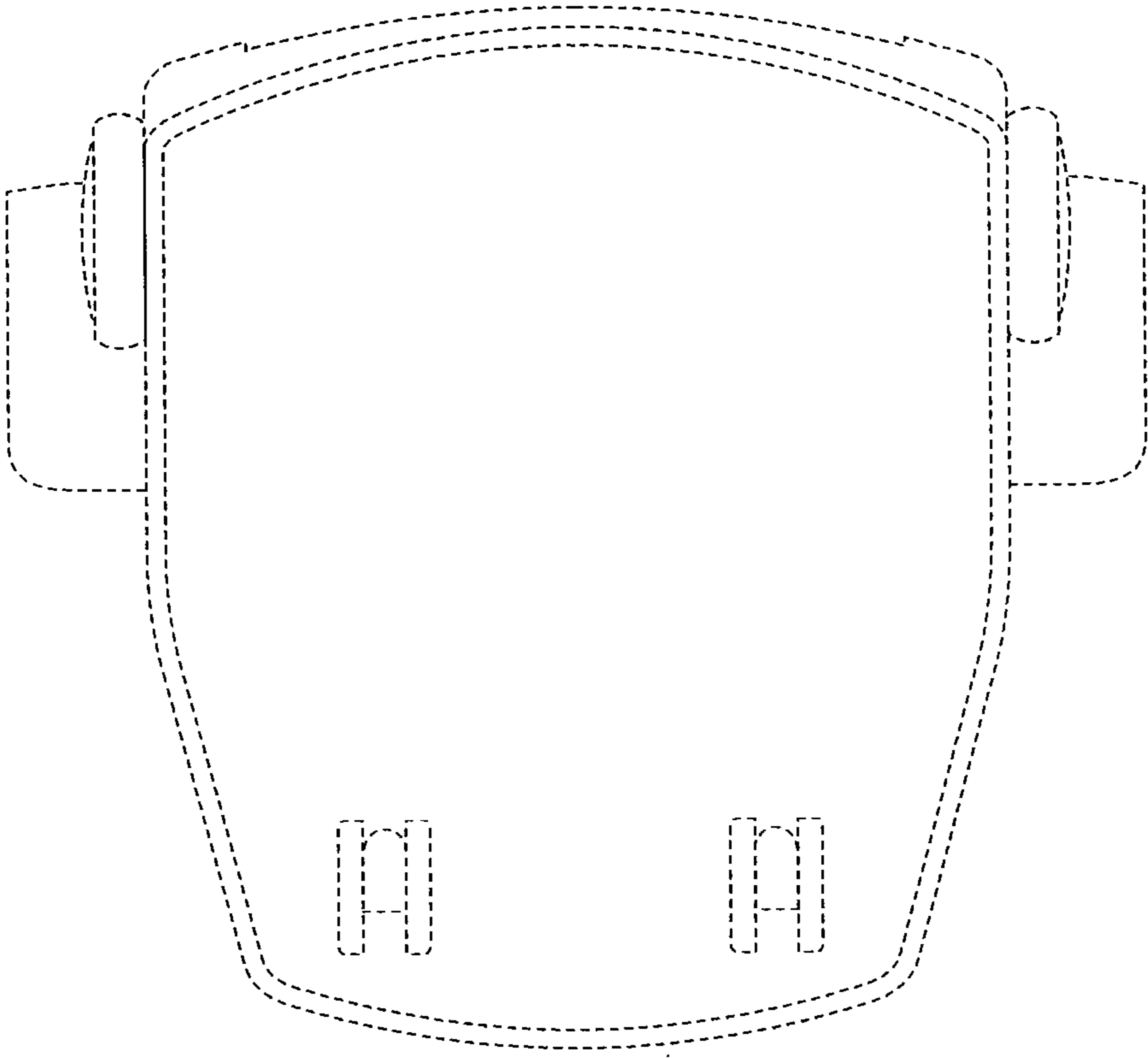




FIG.8

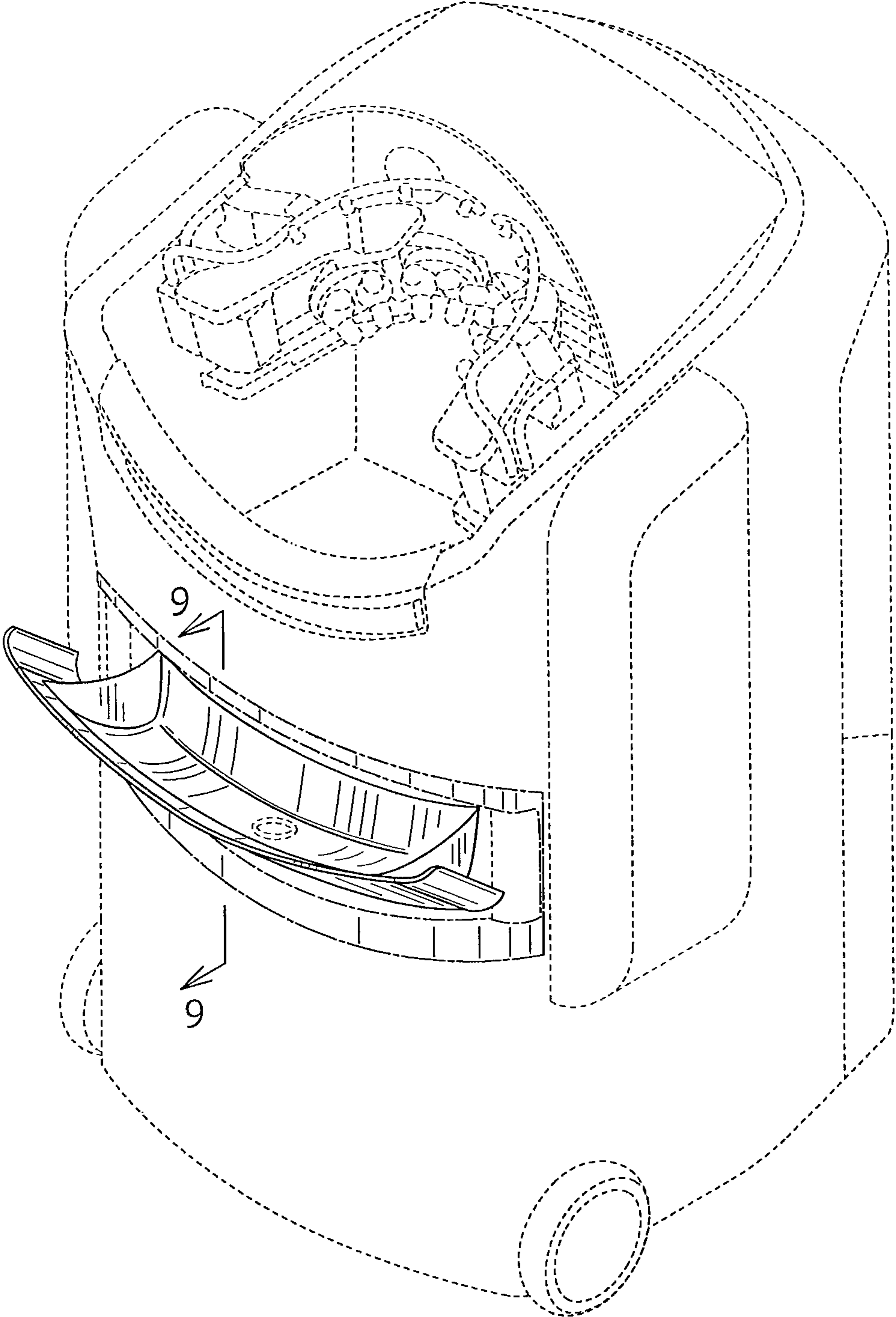


FIG.9

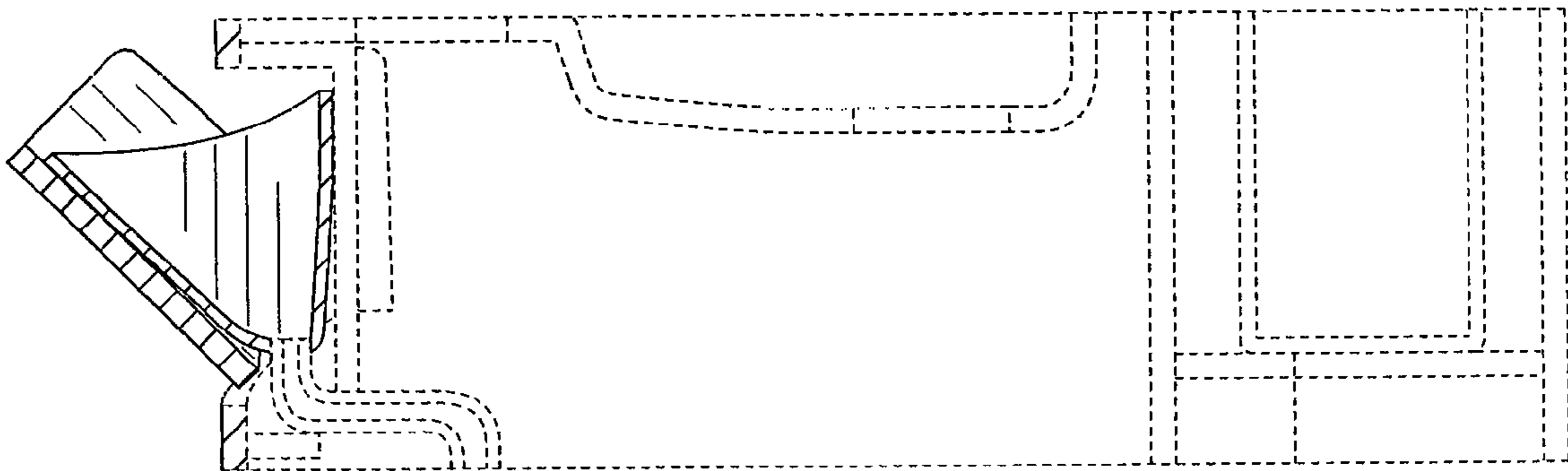


FIG.10

