



US00D681786S

(12) **United States Design Patent**  
**Azoulay**

(10) **Patent No.:** **US D681,786 S**  
(45) **Date of Patent:** **\*\* May 7, 2013**

(54) **TOILET**

(76) Inventor: **Michel Azoulay**, Côte-Saint-Luc (CA)

(\*\*) Term: **14 Years**

(21) Appl. No.: **29/407,827**

(22) Filed: **Dec. 2, 2011**

(51) **LOC (9) Cl.** ..... **23-02**

(52) **U.S. Cl.**  
USPC ..... **D23/295**

(58) **Field of Classification Search** ..... D23/295,  
D23/301, 303, 309; 4/300, 329, 420, 443  
See application file for complete search history.

(56) **References Cited**

U.S. PATENT DOCUMENTS

D496,444 S *	9/2004	Kergoet	.....	D23/301
D574,936 S *	8/2008	De Lima	.....	D23/299
D621,918 S *	8/2010	Paterson et al.	.....	D23/295

\* cited by examiner

*Primary Examiner* — Robert Delehanty

(74) *Attorney, Agent, or Firm* — Marshall, Gerstein & Borun LLP

(57) **CLAIM**

The ornamental design for a toilet, as shown and described.

**DESCRIPTION**

FIG. 1 is a top perspective view of a first embodiment of a toilet showing my new design.

FIG. 2 is a front elevational view thereof.

FIG. 3 is a rear elevational view thereof.

FIG. 4 is a left side elevational view thereof.

FIG. 5 is a right side elevational view thereof.

FIG. 6 is a top plan view thereof.

FIG. 7 is a bottom plan view thereof.

FIG. 8 is a top perspective view of a second embodiment of a toilet showing my new design, the toilet being now shown provided with a toilet cover assembly.

FIG. 9 is a front elevational view thereof.

FIG. 10 is a rear elevational view thereof.

FIG. 11 is a left side elevational view thereof.

FIG. 12 is a right side elevational view thereof.

FIG. 13 is a top plan view thereof.

FIG. 14 is a bottom plan view thereof.

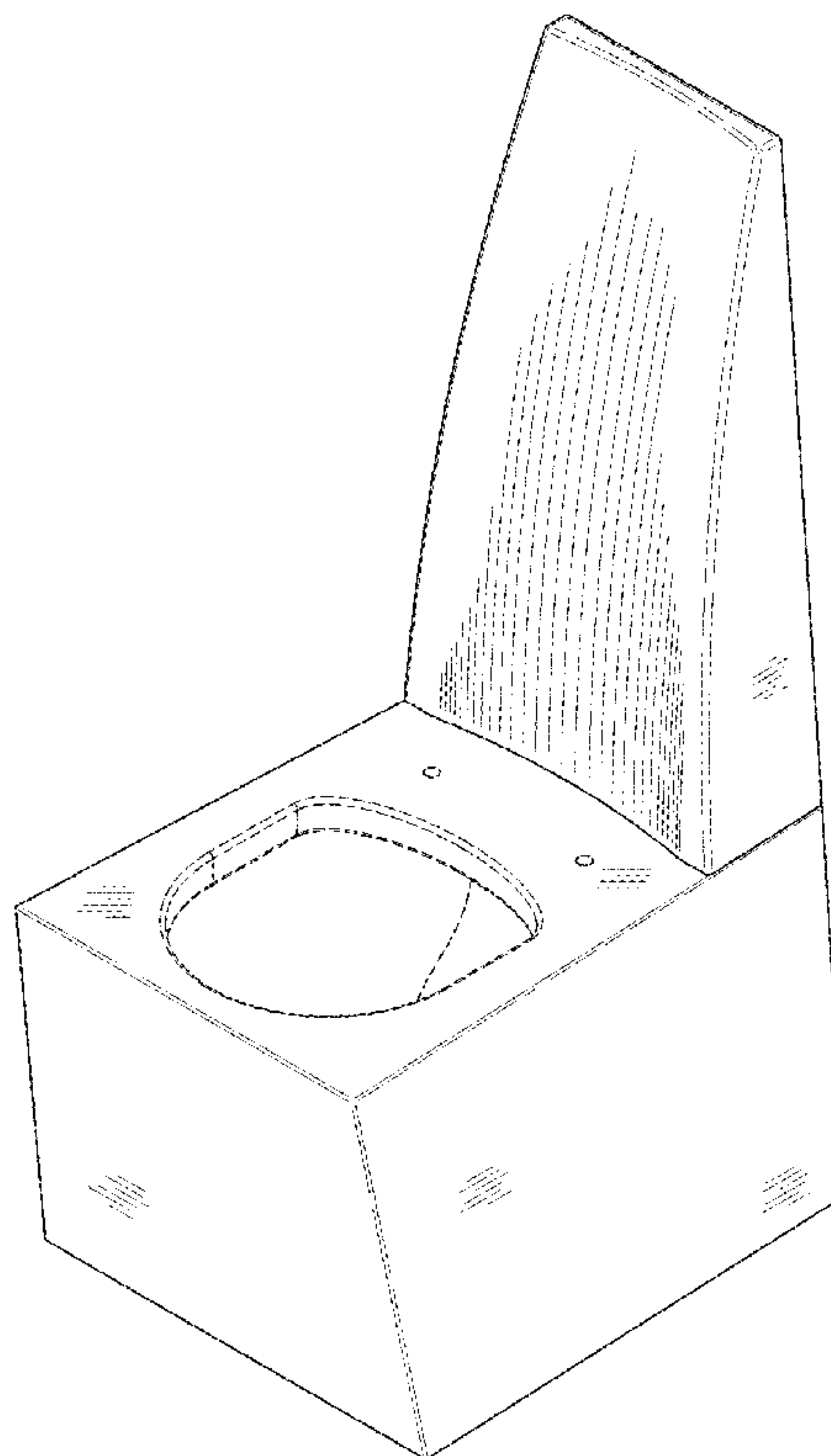
FIG. 15 is a top perspective view of a third embodiment of a toilet showing my new design, the toilet being now shown provided with a footrest.

FIG. 16 is a top perspective view of a fourth embodiment of a toilet showing my new design, the toilet being now shown provided with a right armrest, the left-handed version of the article being a mirror-image of what is shown; and,

FIG. 17 is a top perspective view of a fifth embodiment of a toilet showing my new design, the toilet being now shown provided with both right and left armrests.

The broken lines represent elements of the toilet that do not form part of the claimed design.

**1 Claim, 17 Drawing Sheets**



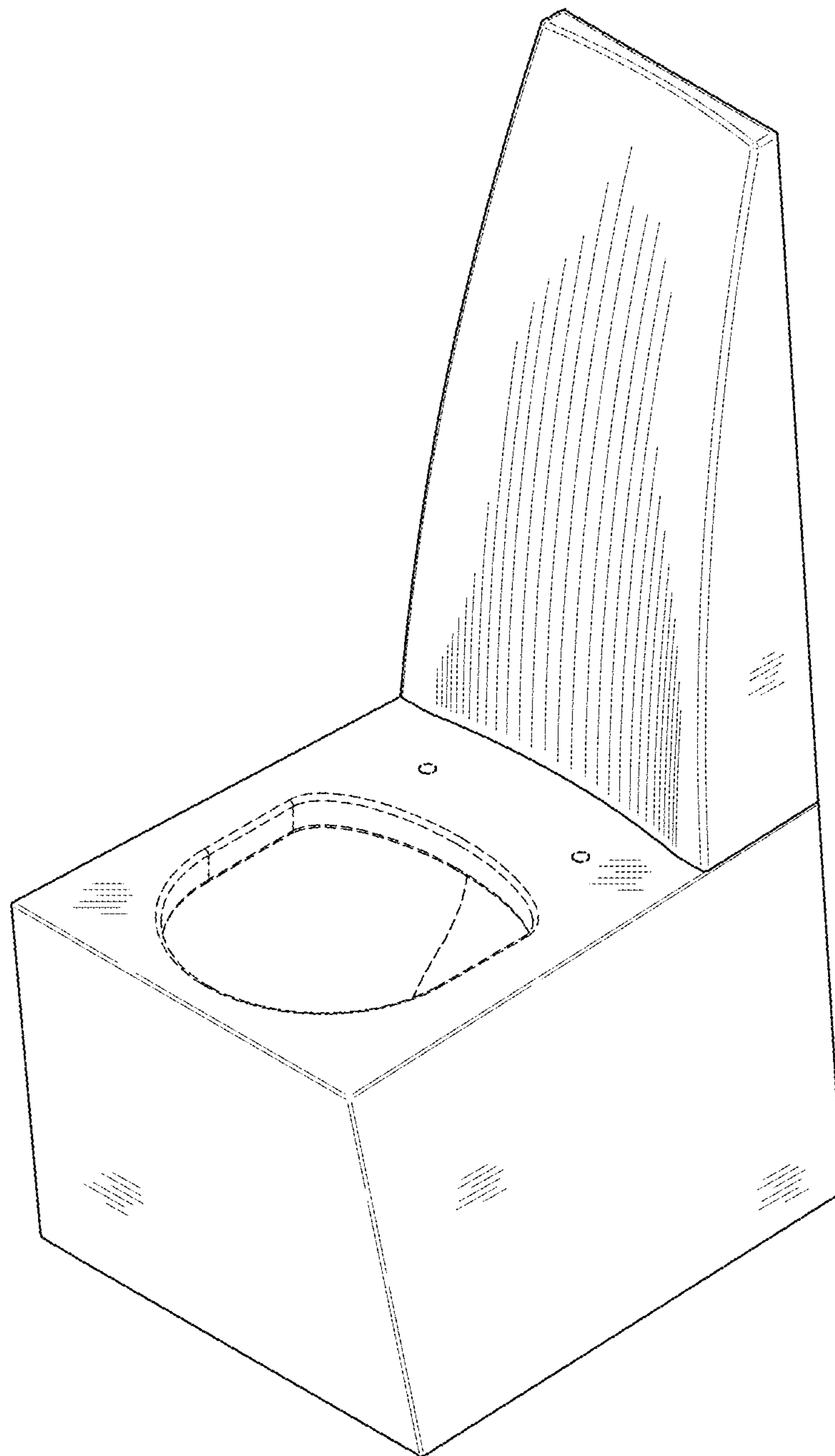


FIG. 1

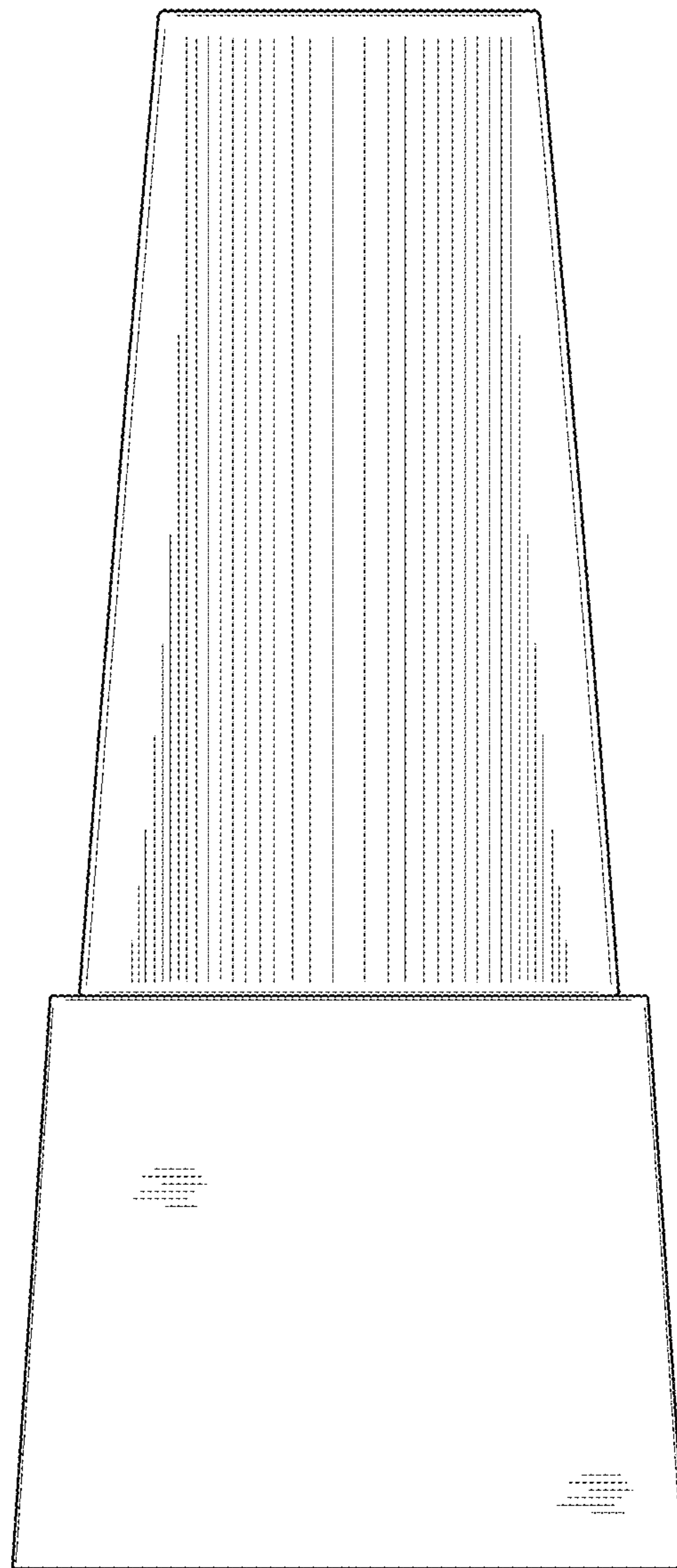


FIG. 2

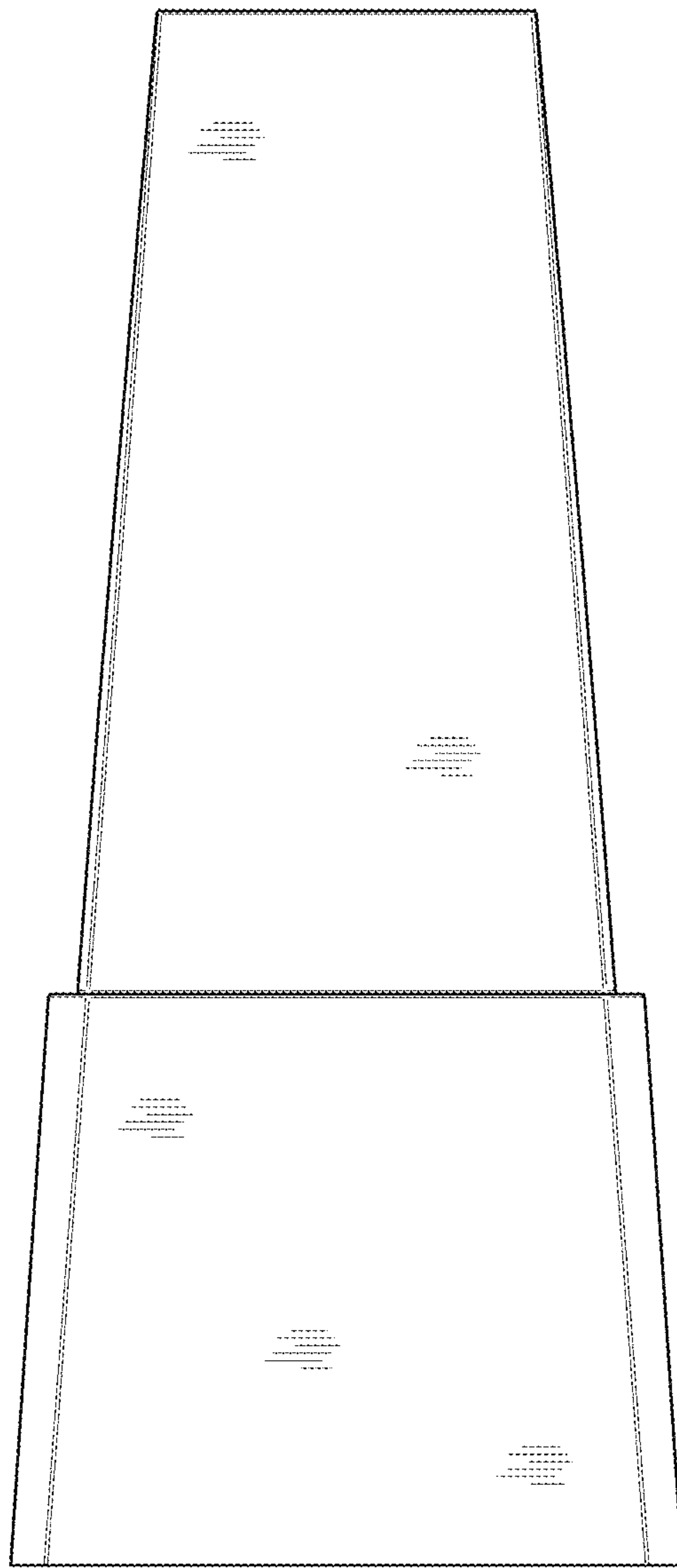


FIG. 3

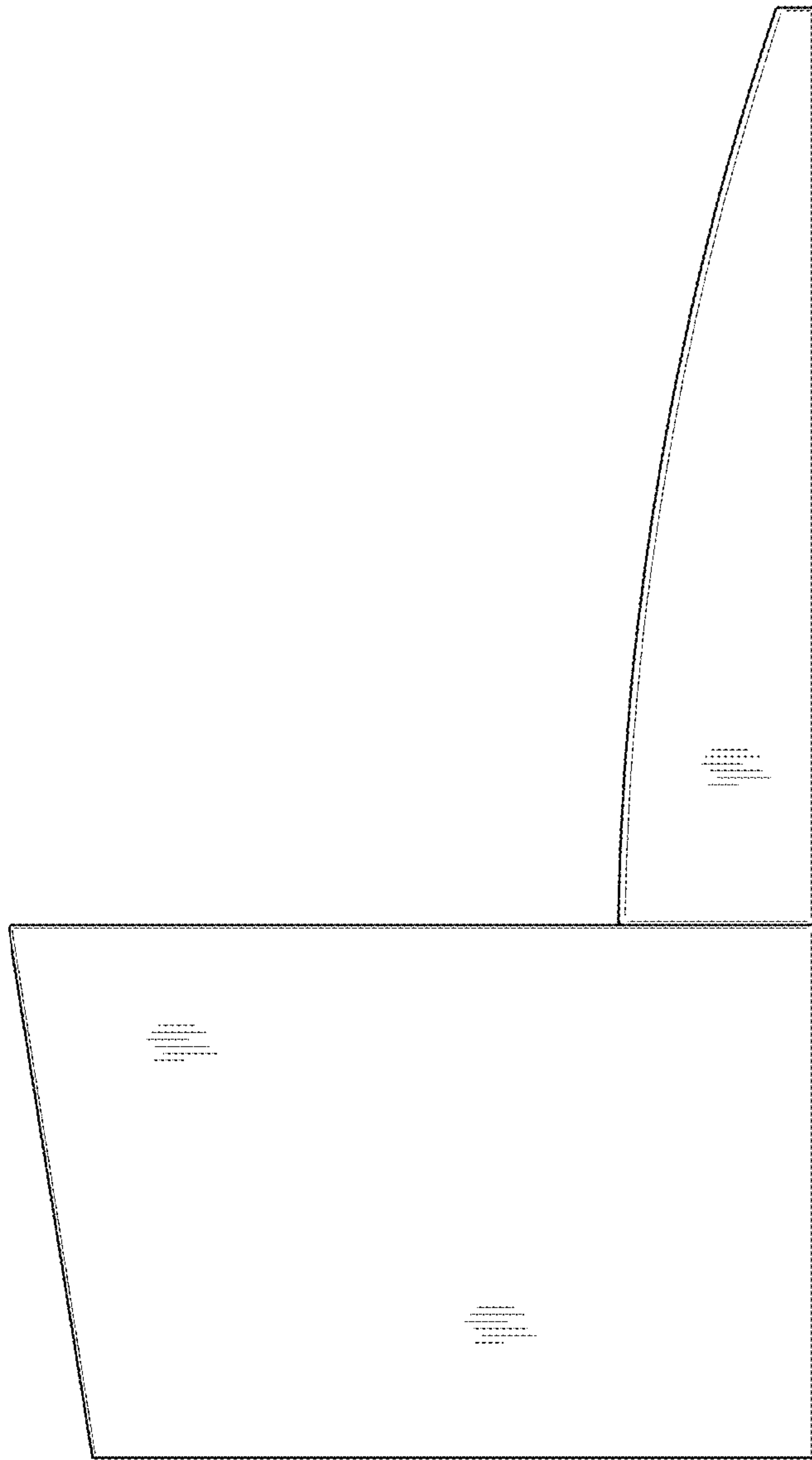


FIG. 4

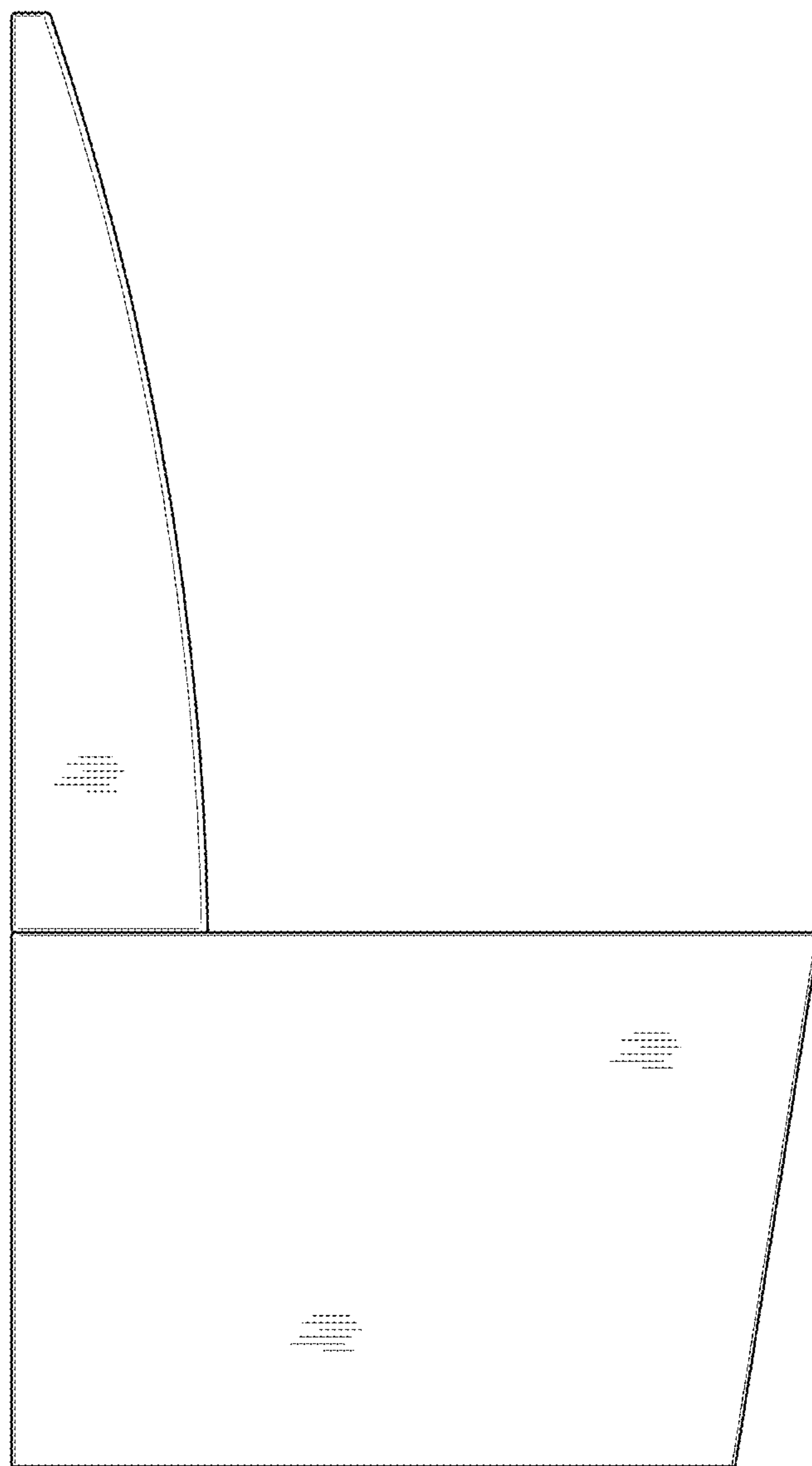


FIG. 5

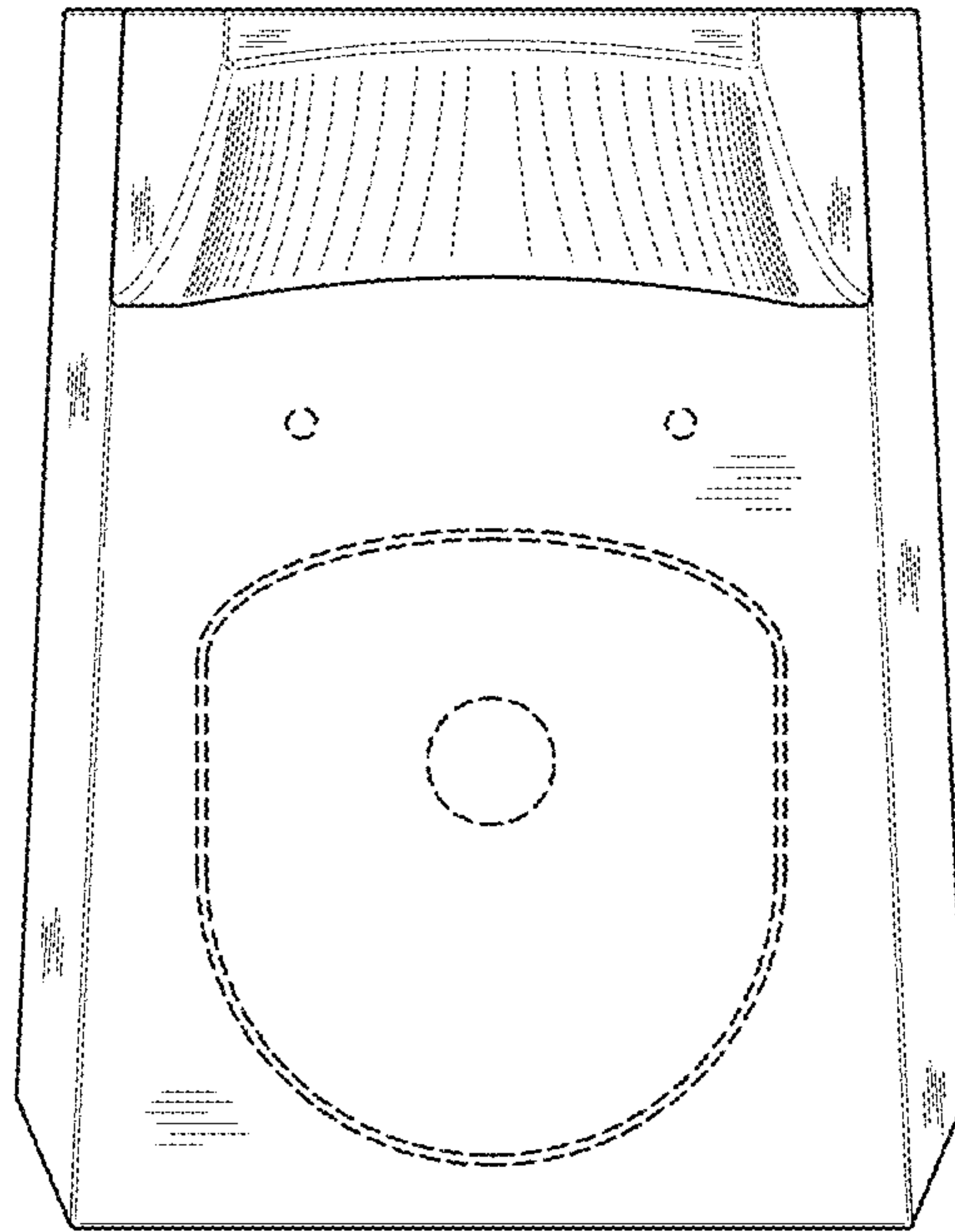


FIG. 6

REPLACEMENT SHEET

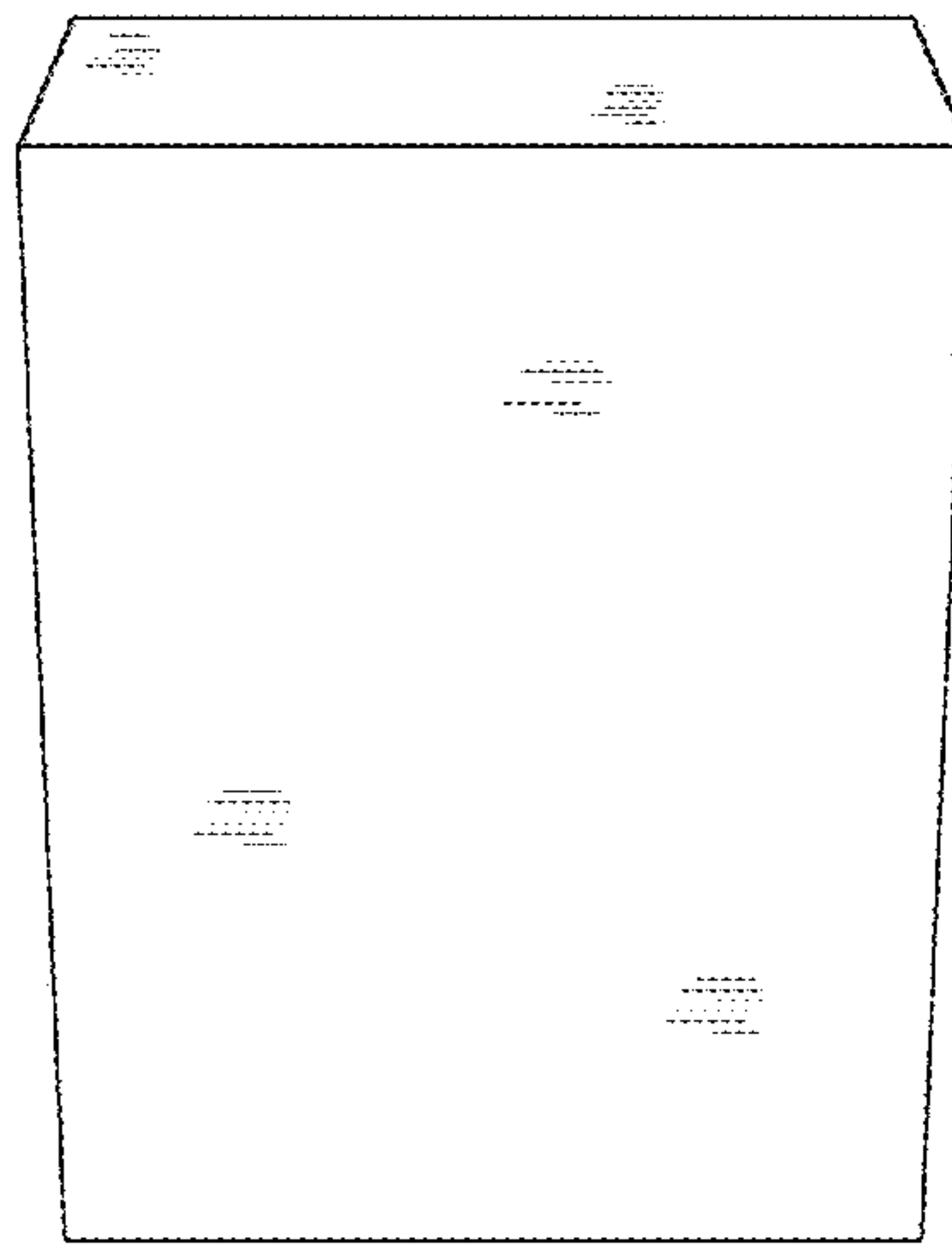


FIG. 7



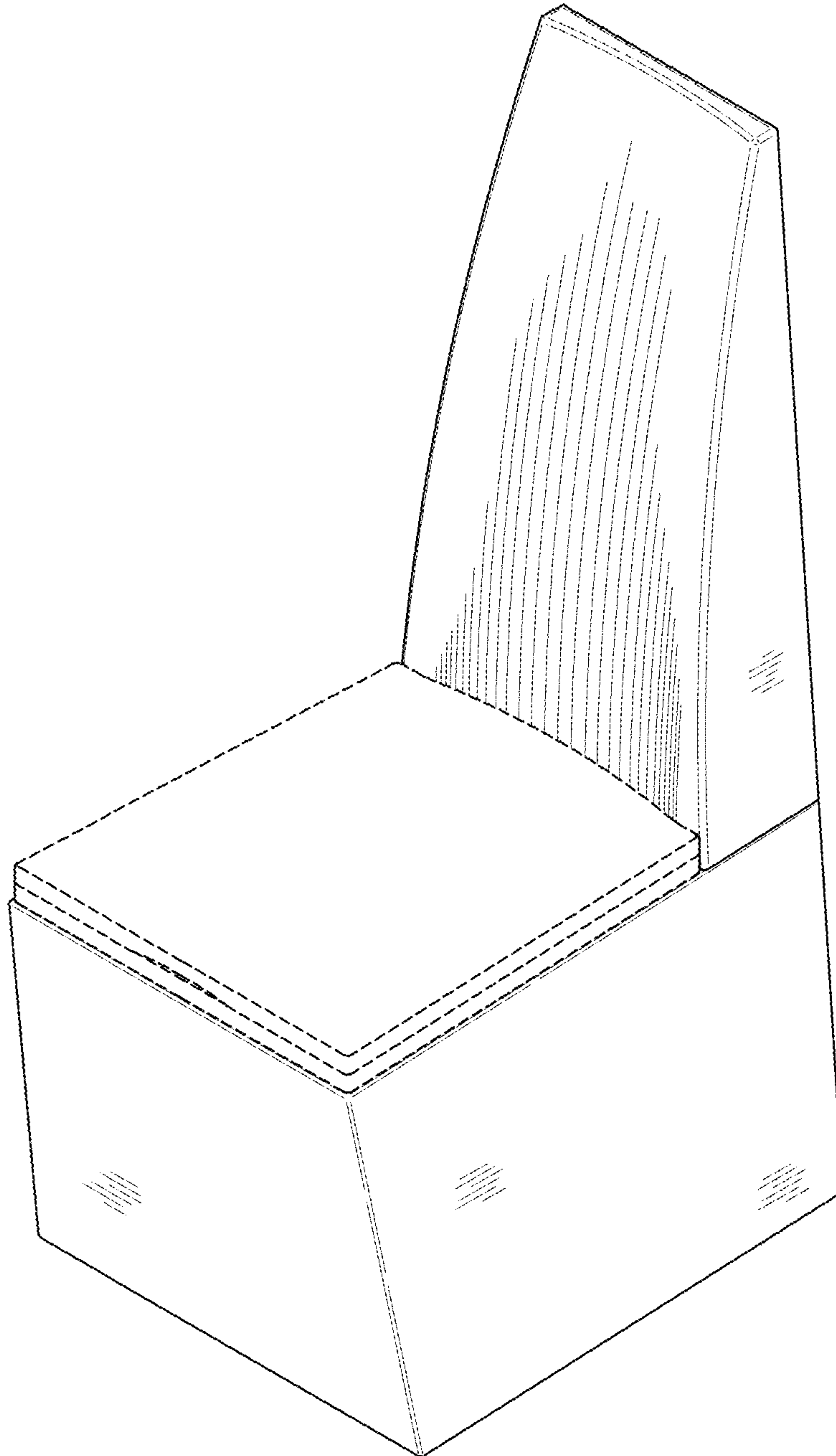


FIG. 8

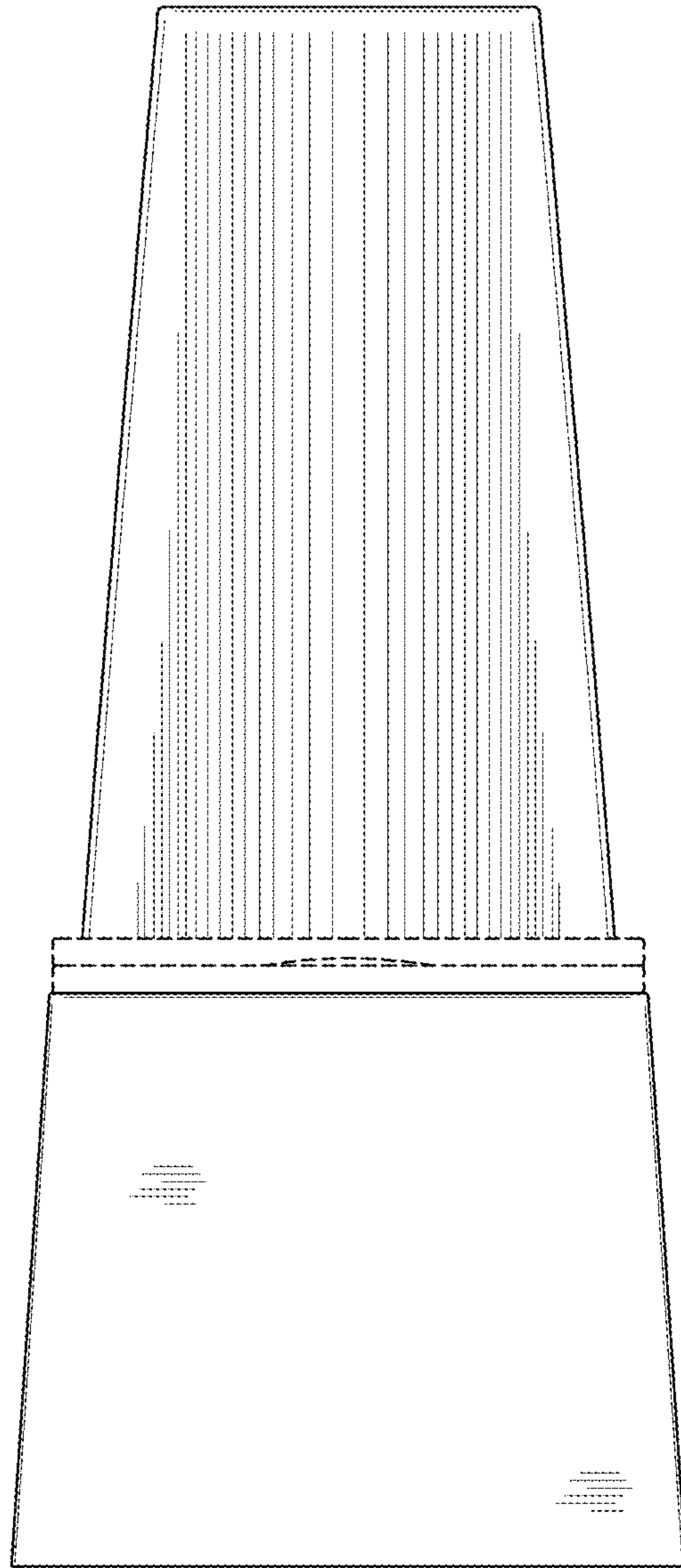


FIG. 9

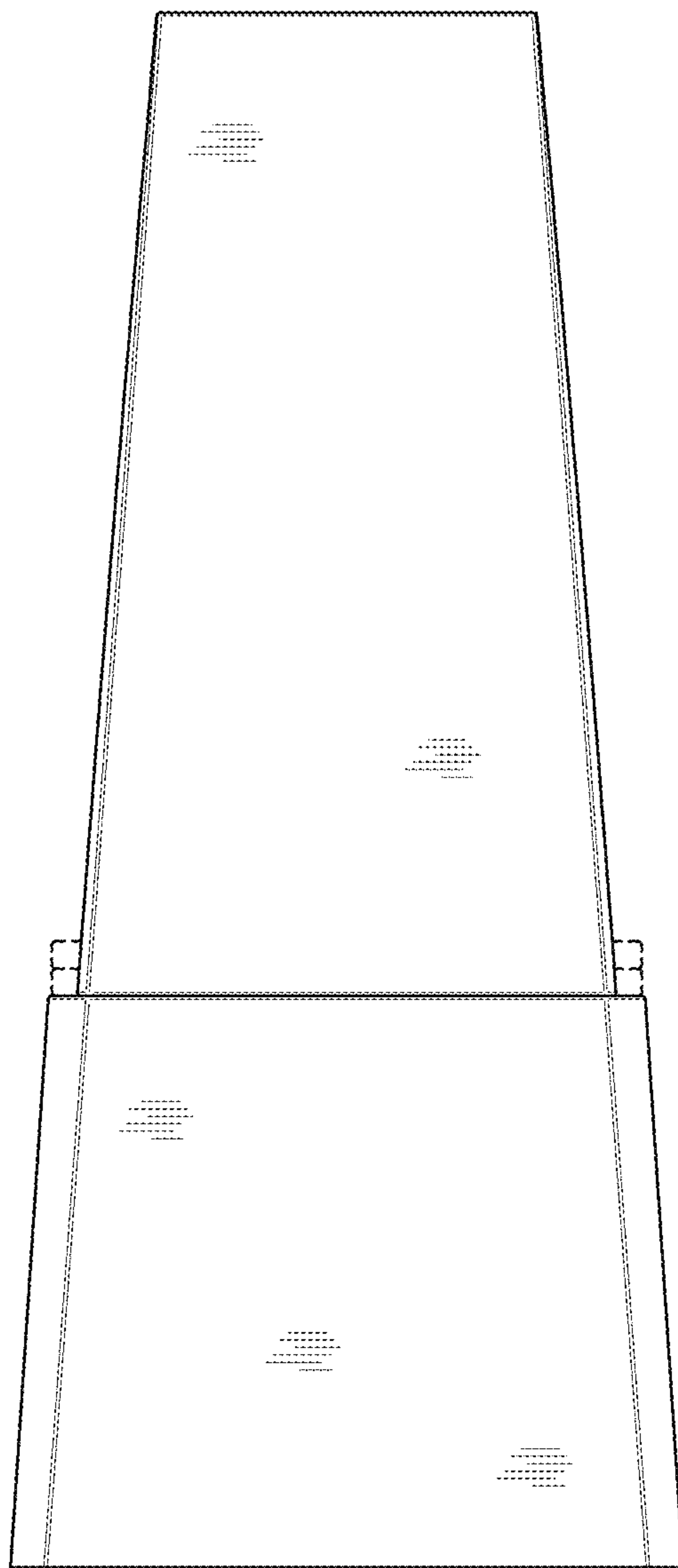


FIG. 10

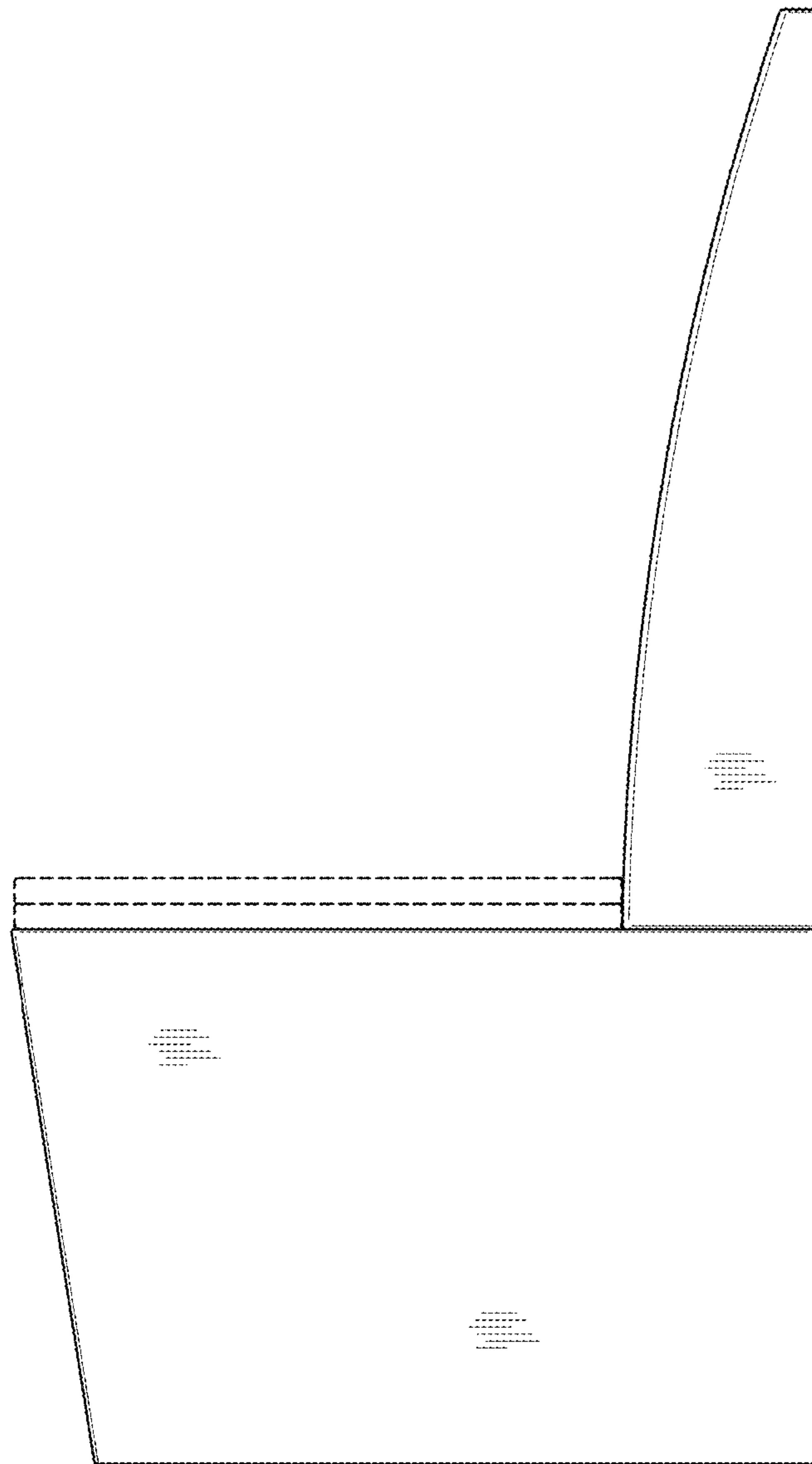


FIG. 11

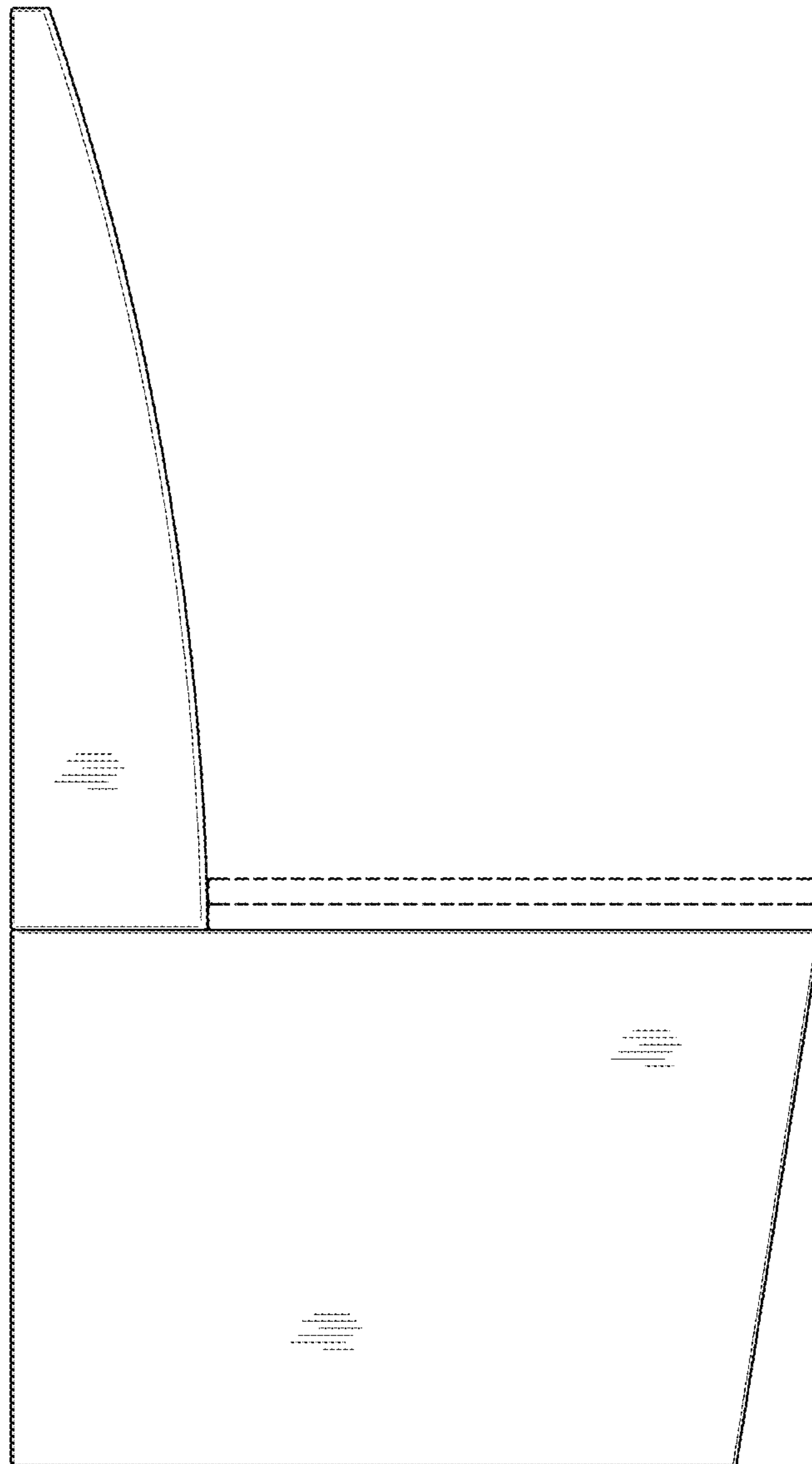


FIG. 12

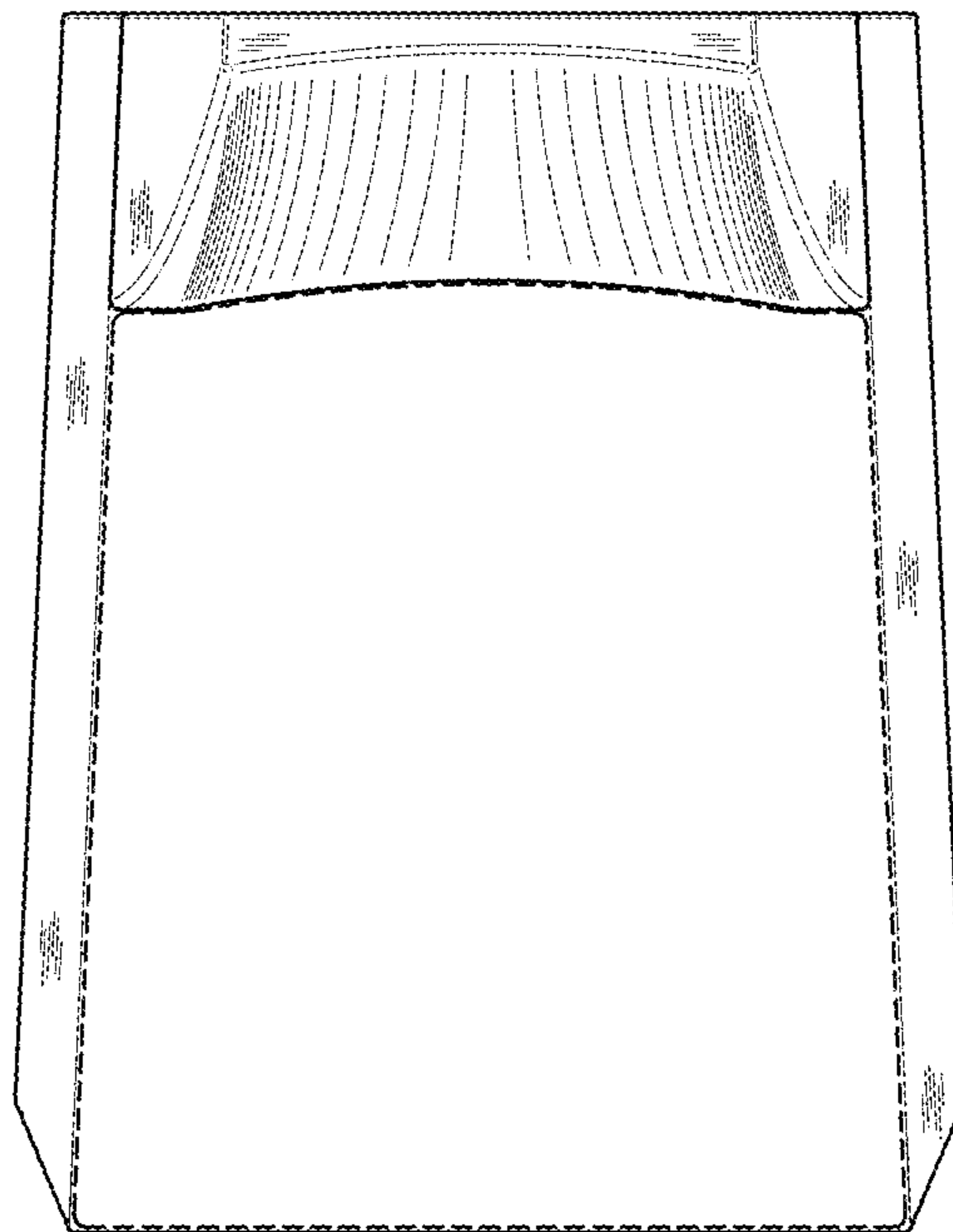


FIG. 13

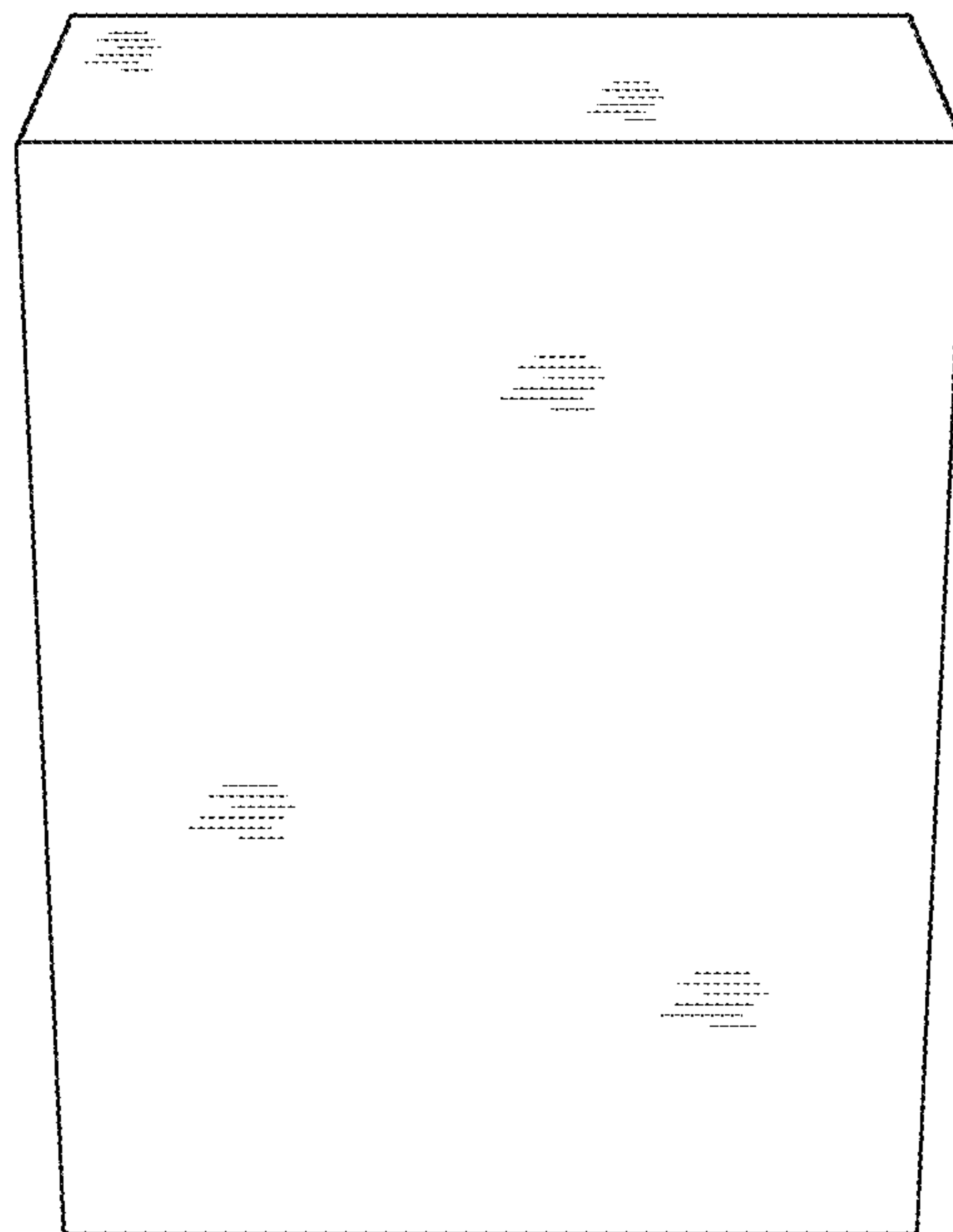


FIG. 14

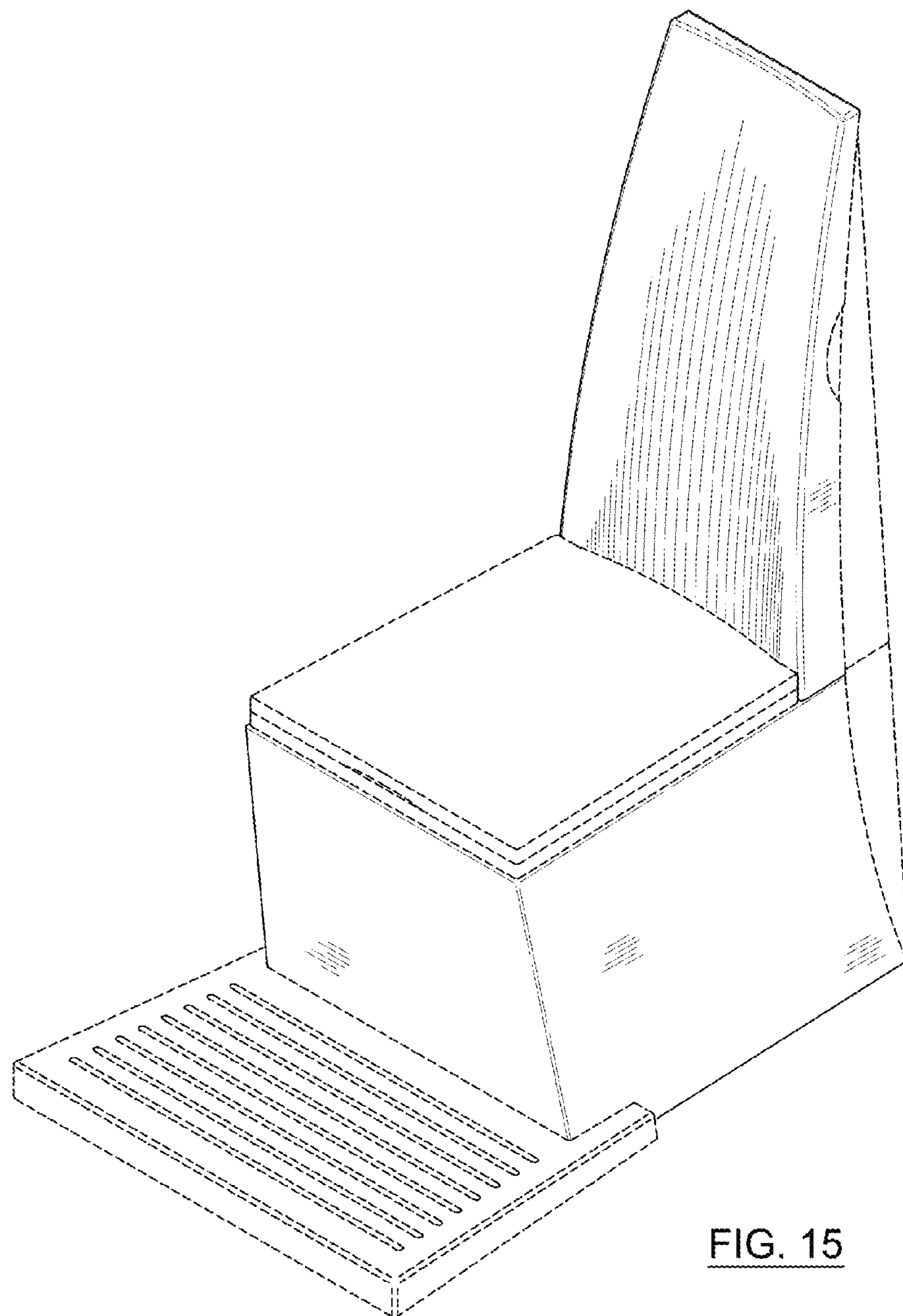


FIG. 15



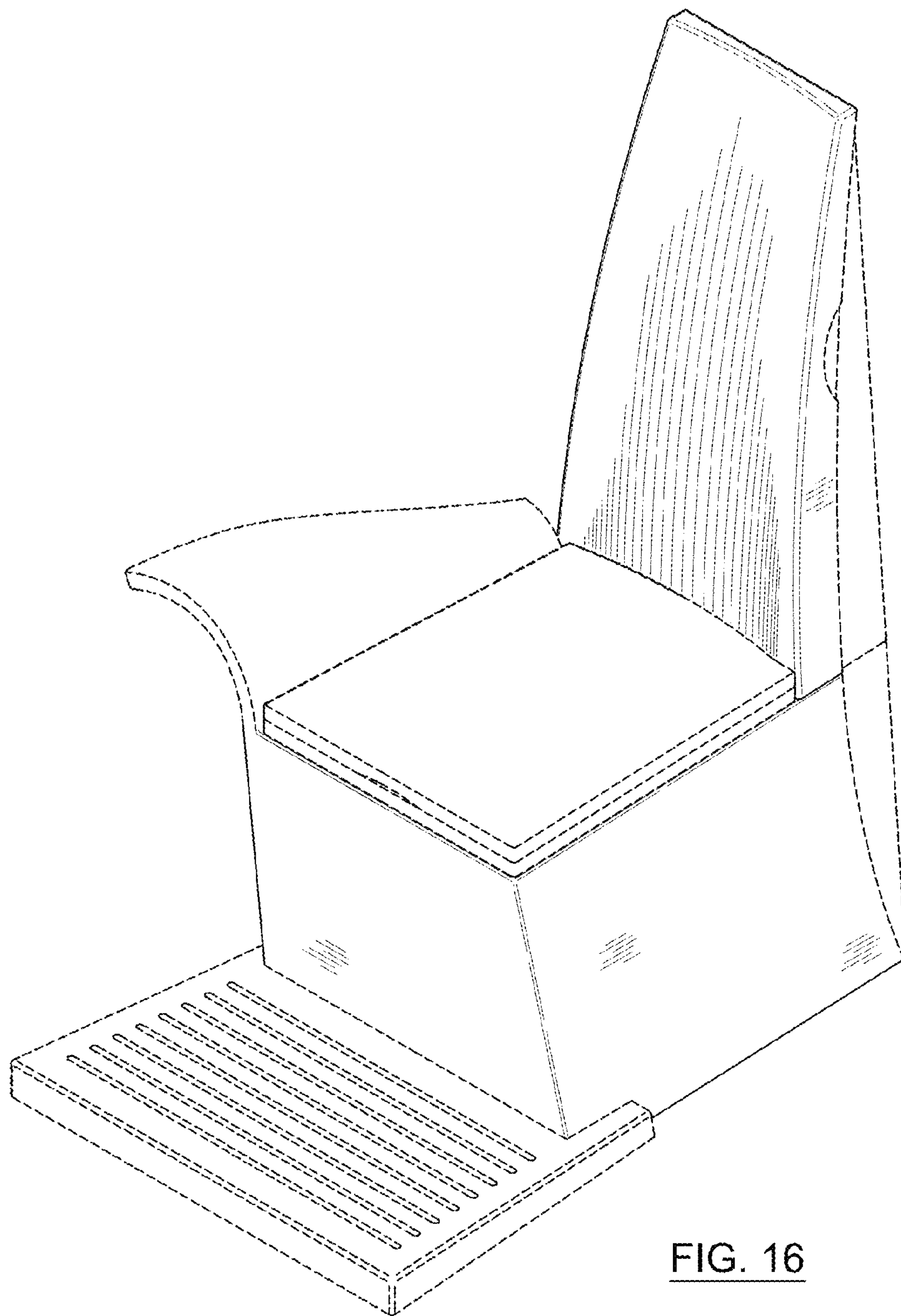


FIG. 16

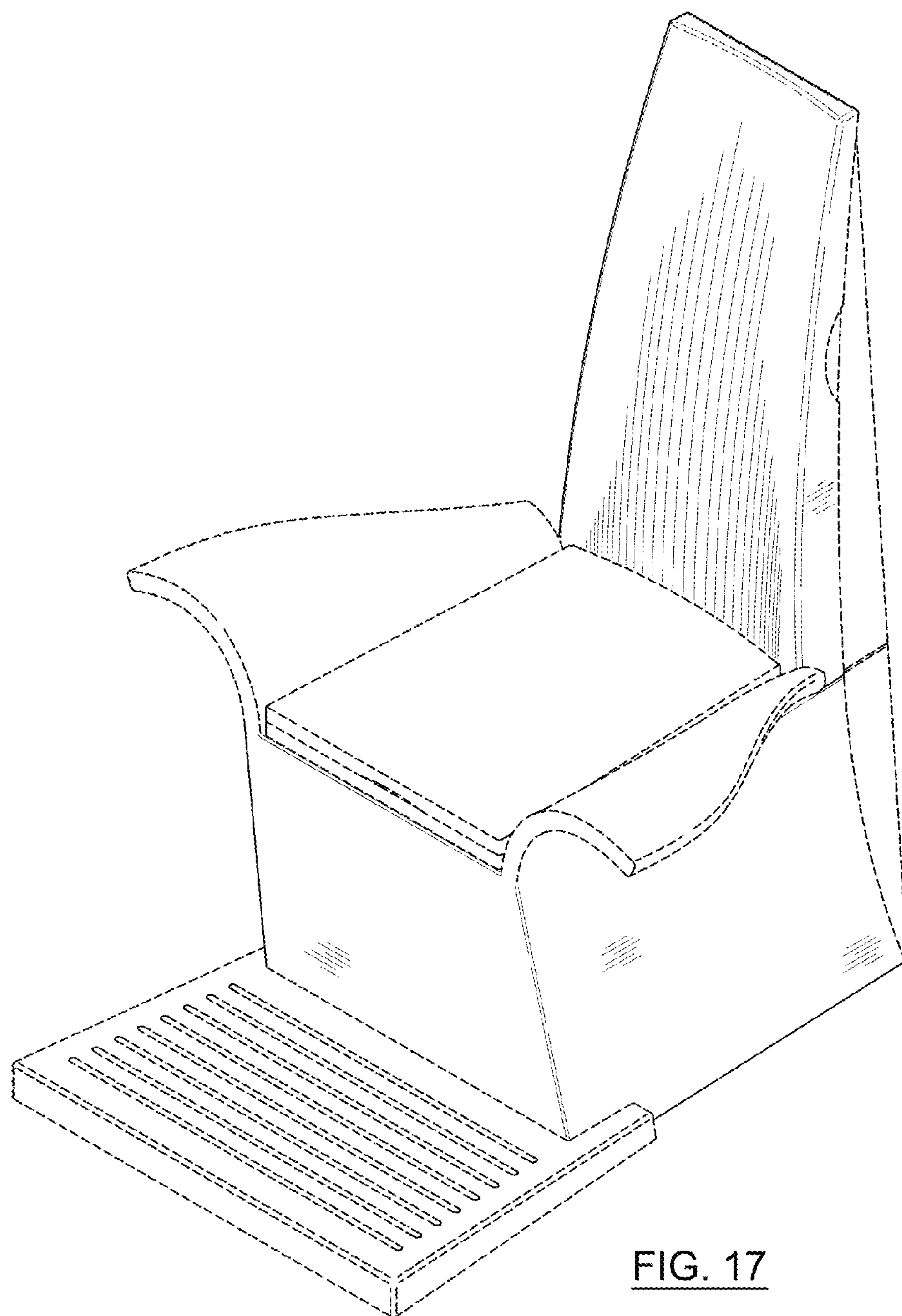


FIG. 17