



US00D681784S

(12) **United States Design Patent**
Liljegren et al.

(10) **Patent No.:** **US D681,784 S**

(45) **Date of Patent:** **** May 7, 2013**

(54) **HYDRAULIC COUPLING**

(75) Inventors: **Markus Liljegren**, Karlsborg (SE);
Jonas Eriksson, Skövde (SE)

(73) Assignee: **Cejn AB**, Skovde (SE)

(**) Term: **14 Years**

(21) Appl. No.: **29/385,590**

(22) Filed: **Feb. 16, 2011**

(30) **Foreign Application Priority Data**

Aug. 16, 2010 (EM) 001743956

(51) **LOC (9) Cl.** **23-01**

(52) **U.S. Cl.**
USPC **D23/262**

(58) **Field of Classification Search** D23/262;
D8/382; 403/322.1, 322.3, 321; 37/468;
414/723; 60/350-367; 285/374, 379, 233;
192/61; 137/614.03

See application file for complete search history.

(56) **References Cited**

U.S. PATENT DOCUMENTS

3,469,863	A *	9/1969	Riester et al.	285/124.4
4,865,360	A *	9/1989	Adams	285/142.1
D406,320	S	3/1999	Lynch et al.	
D414,844	S	10/1999	Lynch et al.	
D458,942	S	6/2002	Balemi	
D513,786	S	1/2006	Montano et al.	
D520,520	S	5/2006	Nimberger	

D540,347	S	4/2007	Stephenson et al.	
D542,307	S	5/2007	Stephenson et al.	
D574,225	S	8/2008	Scheib	
D581,438	S	11/2008	Liu	
7,717,471	B2	5/2010	Langenfeld et al.	
D638,037	S *	5/2011	Miller	D15/28
8,151,494	B2 *	4/2012	Scheib et al.	37/468
2007/0157492	A1 *	7/2007	Miller et al.	37/468
2009/0058075	A1 *	3/2009	Sonerud	285/24
2010/0001144	A1 *	1/2010	Lundgren	248/68.1

* cited by examiner

Primary Examiner — Eric Goodman

(74) *Attorney, Agent, or Firm* — Billion & Armitage;
Benjamin C. Armitage

(57) **CLAIM**

The ornamental design for a hydraulic coupling, as shown and described.

DESCRIPTION

FIG. 1 is a left side view of a hydraulic coupling showing the new design;

FIG. 2 is a bottom view thereof;

FIG. 3 is a front view thereof;

FIG. 4 is a right side view thereof;

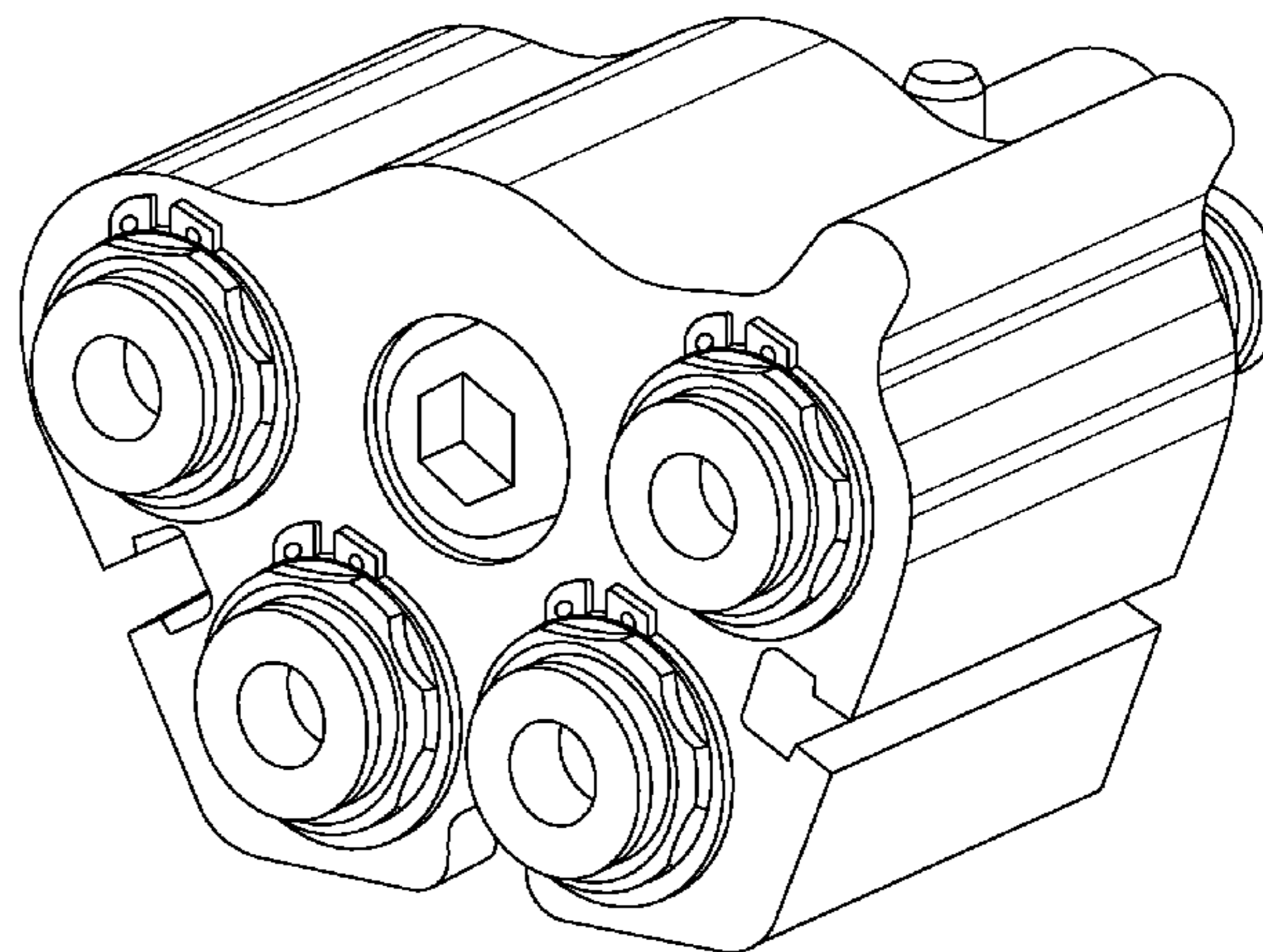
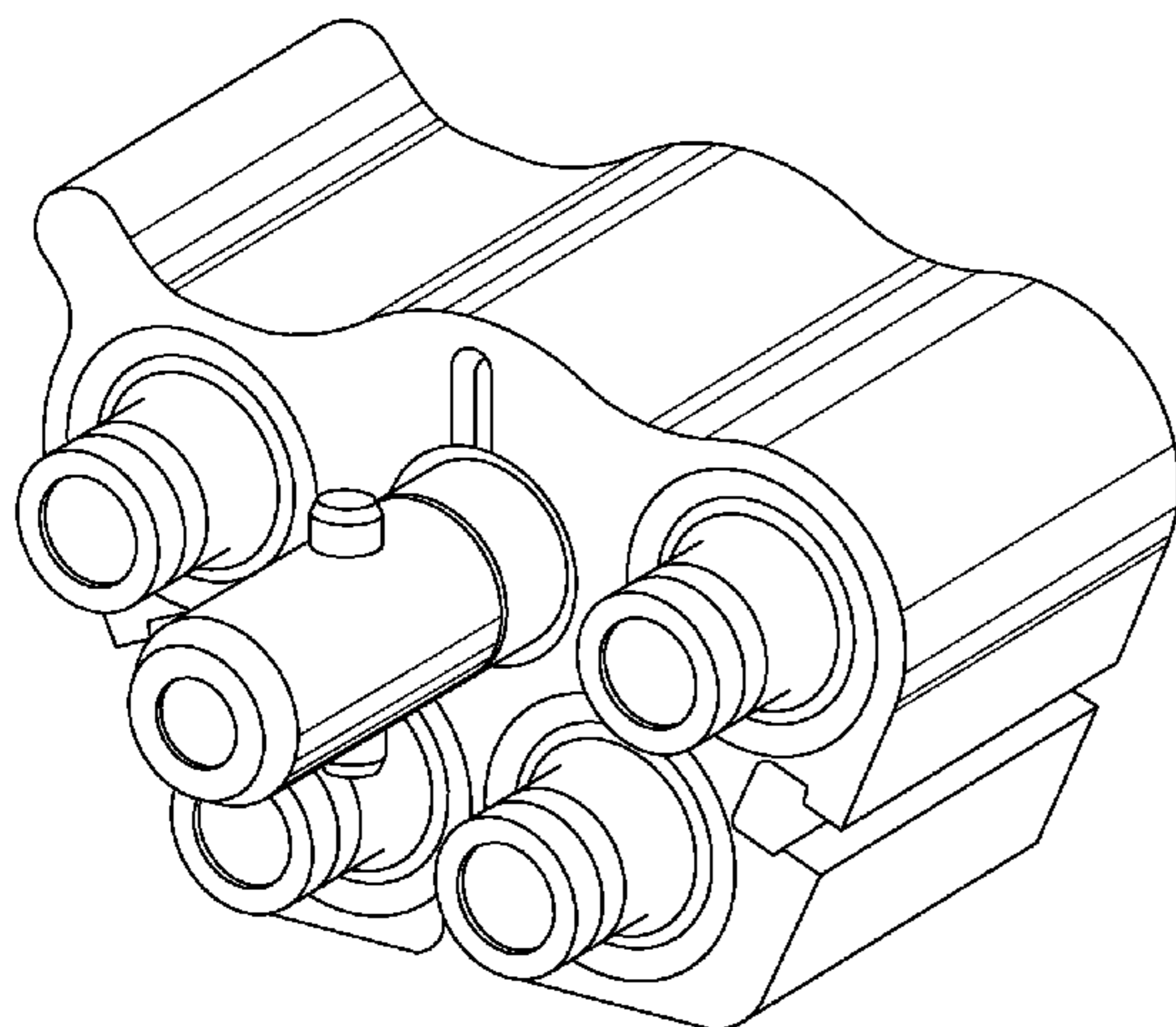
FIG. 5 is a top view thereof;

FIG. 6 is a front perspective view thereof; and,

FIG. 7 is a rear perspective view thereof.

The broken lines showing in the drawings are for environmental purposes only and form no part of the claimed design.

1 Claim, 7 Drawing Sheets



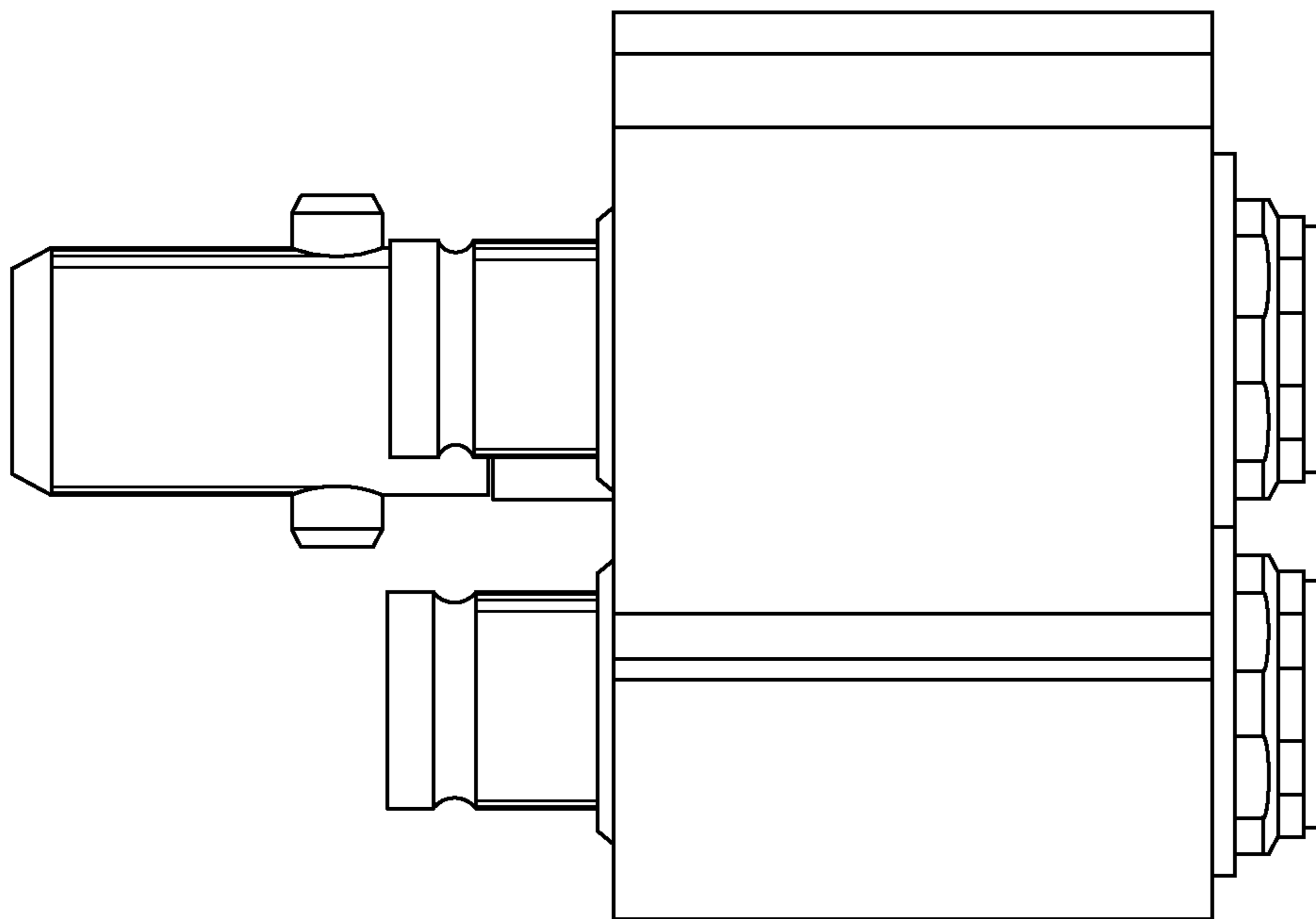


FIG. 1

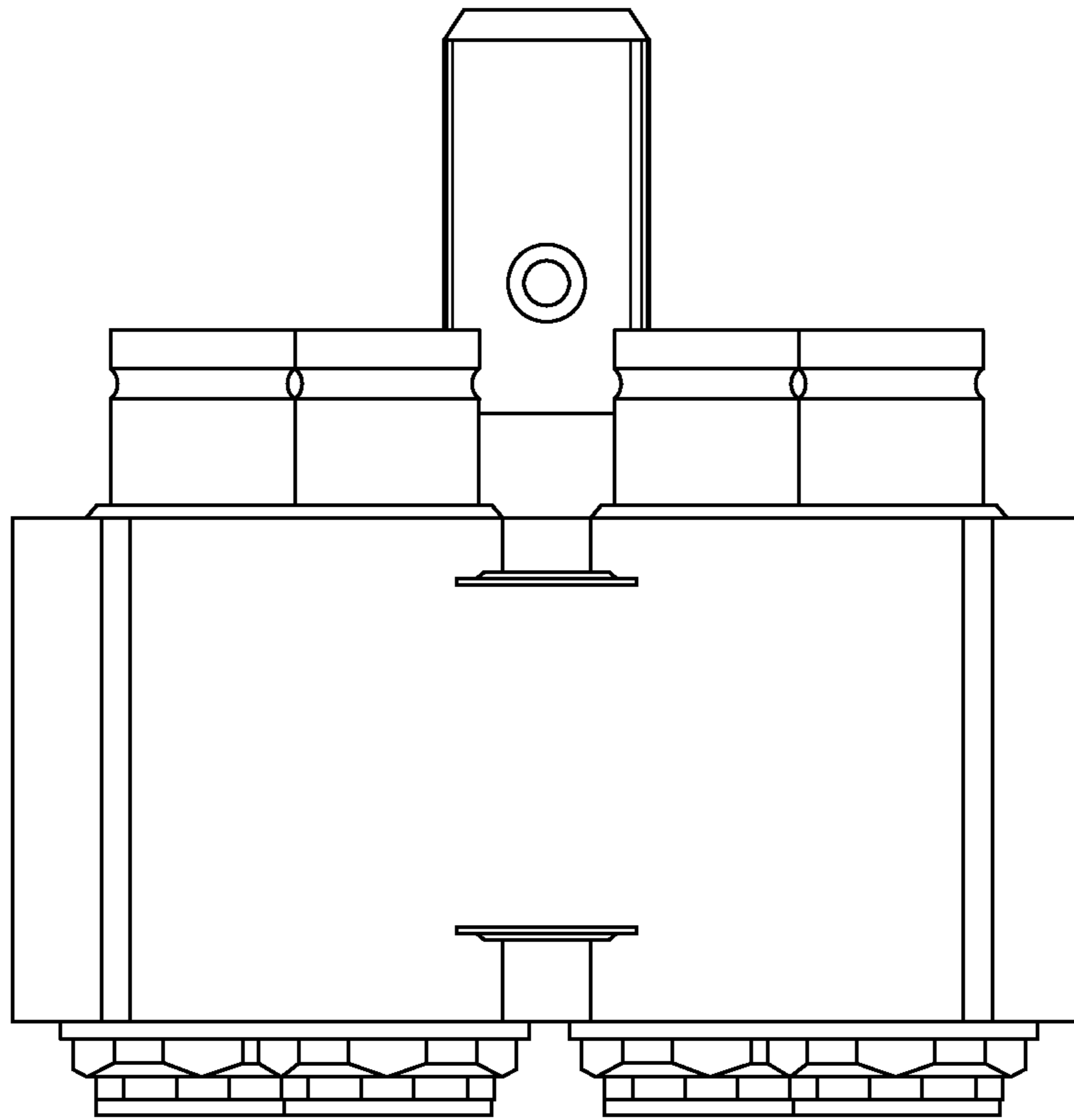


FIG. 2

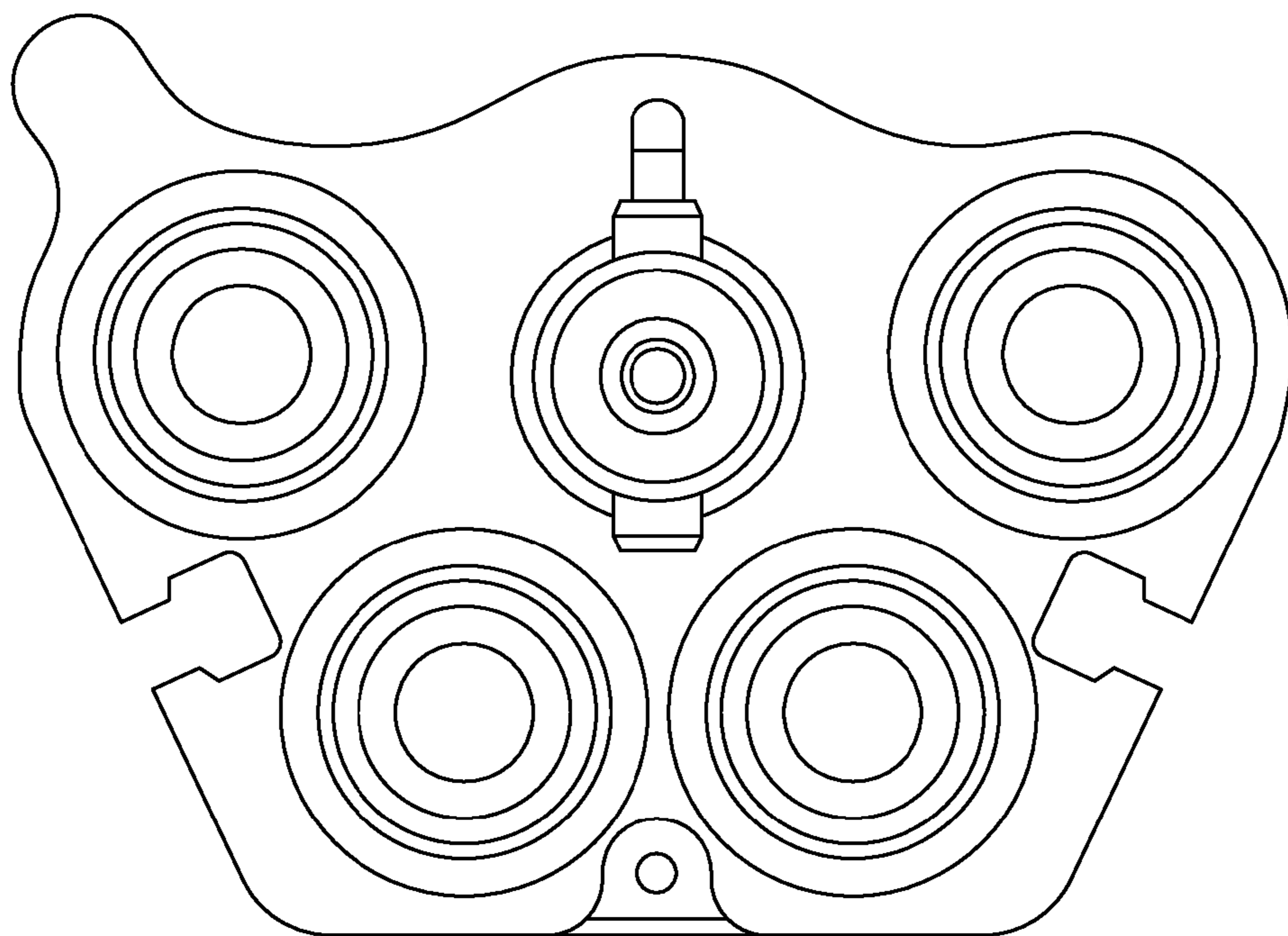


FIG. 3

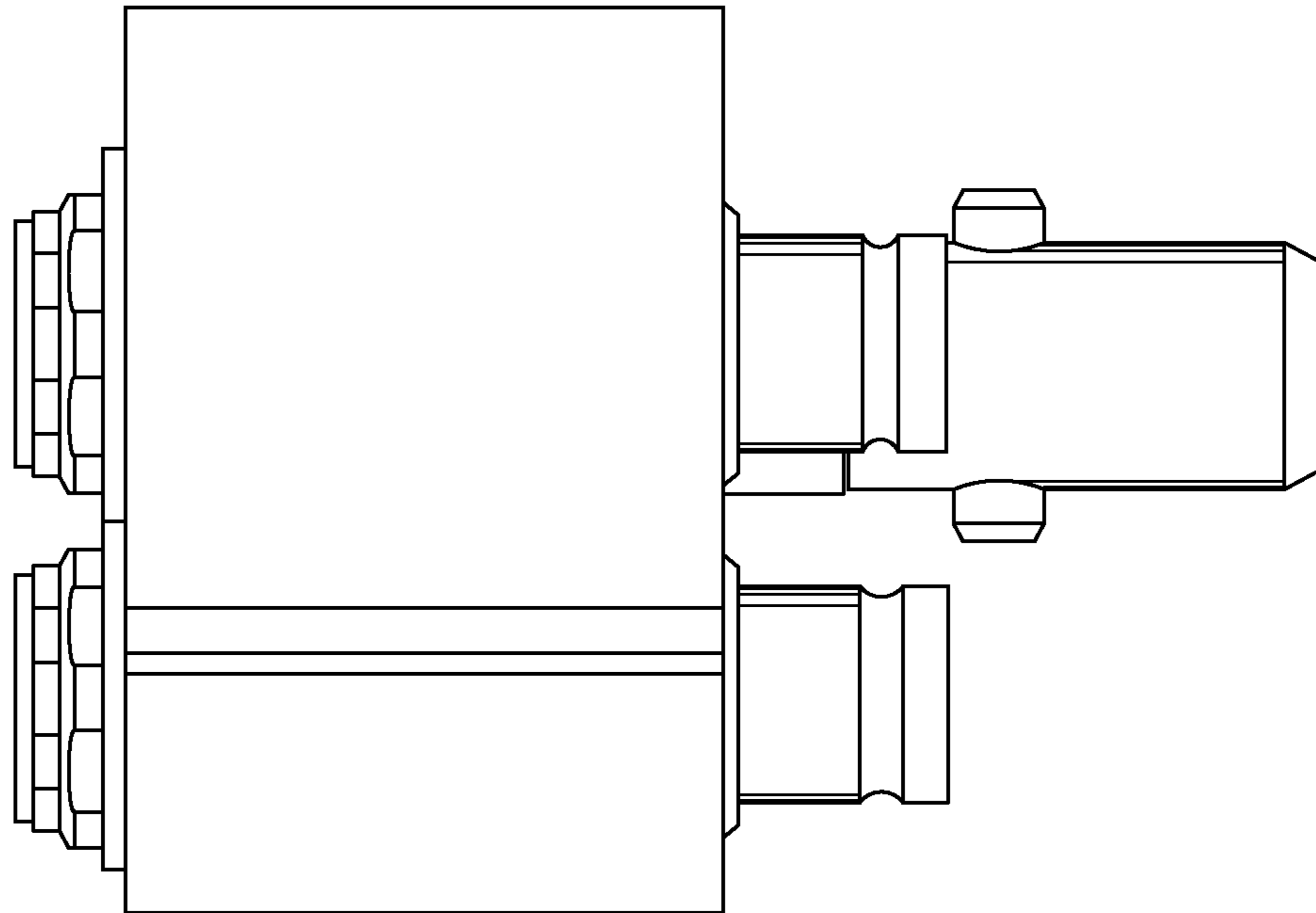


FIG. 4

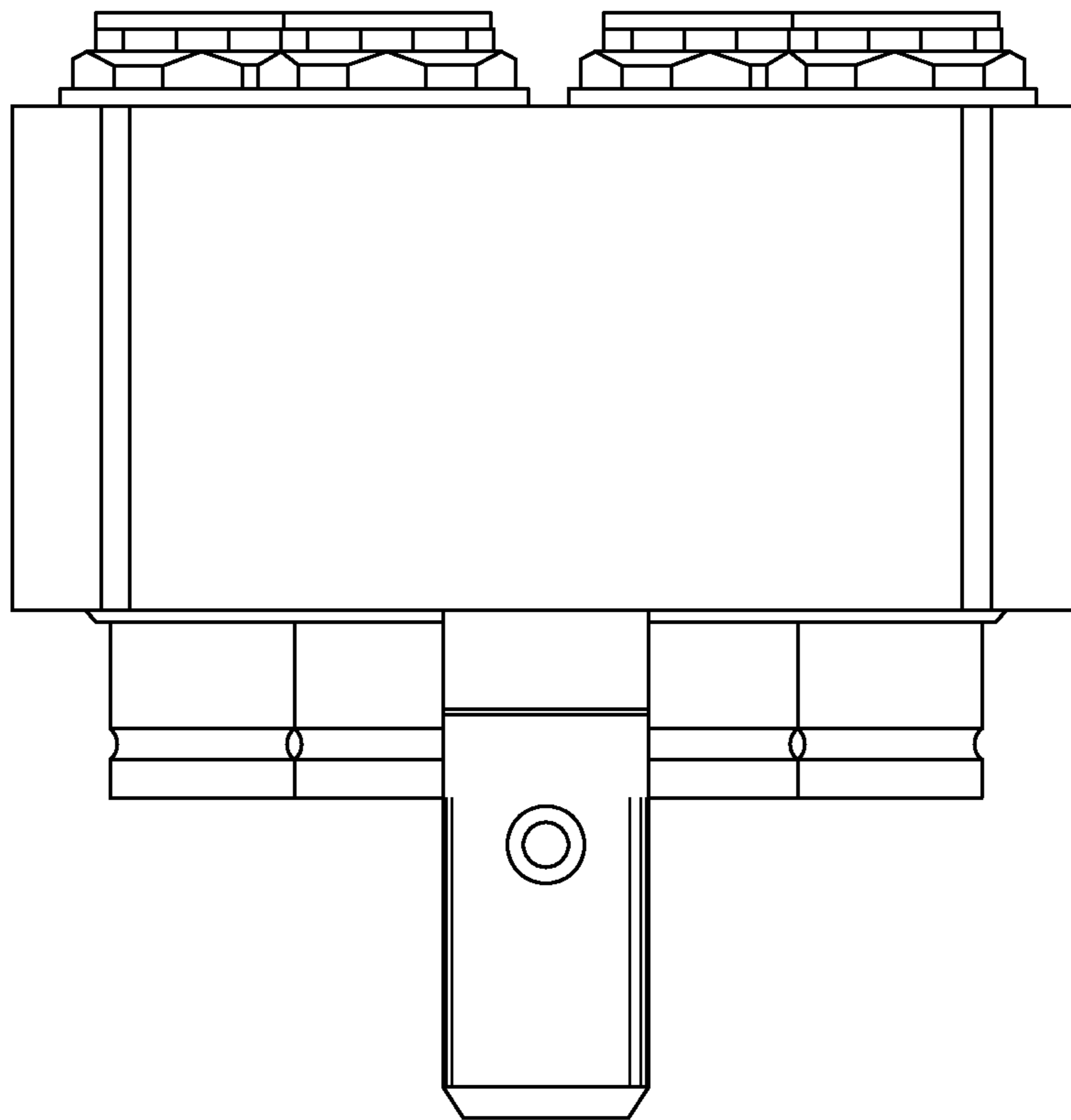


FIG. 5

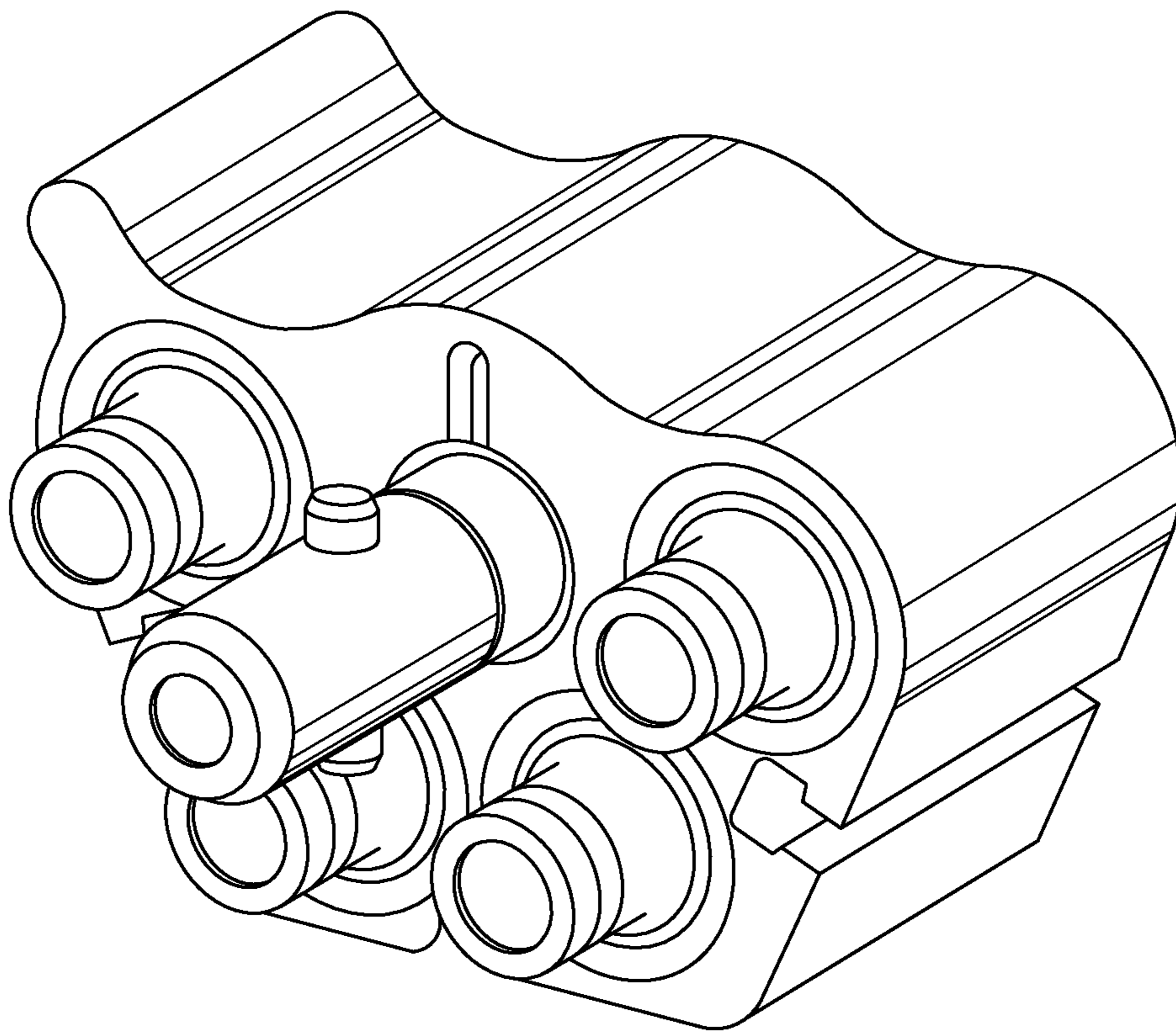


FIG. 6

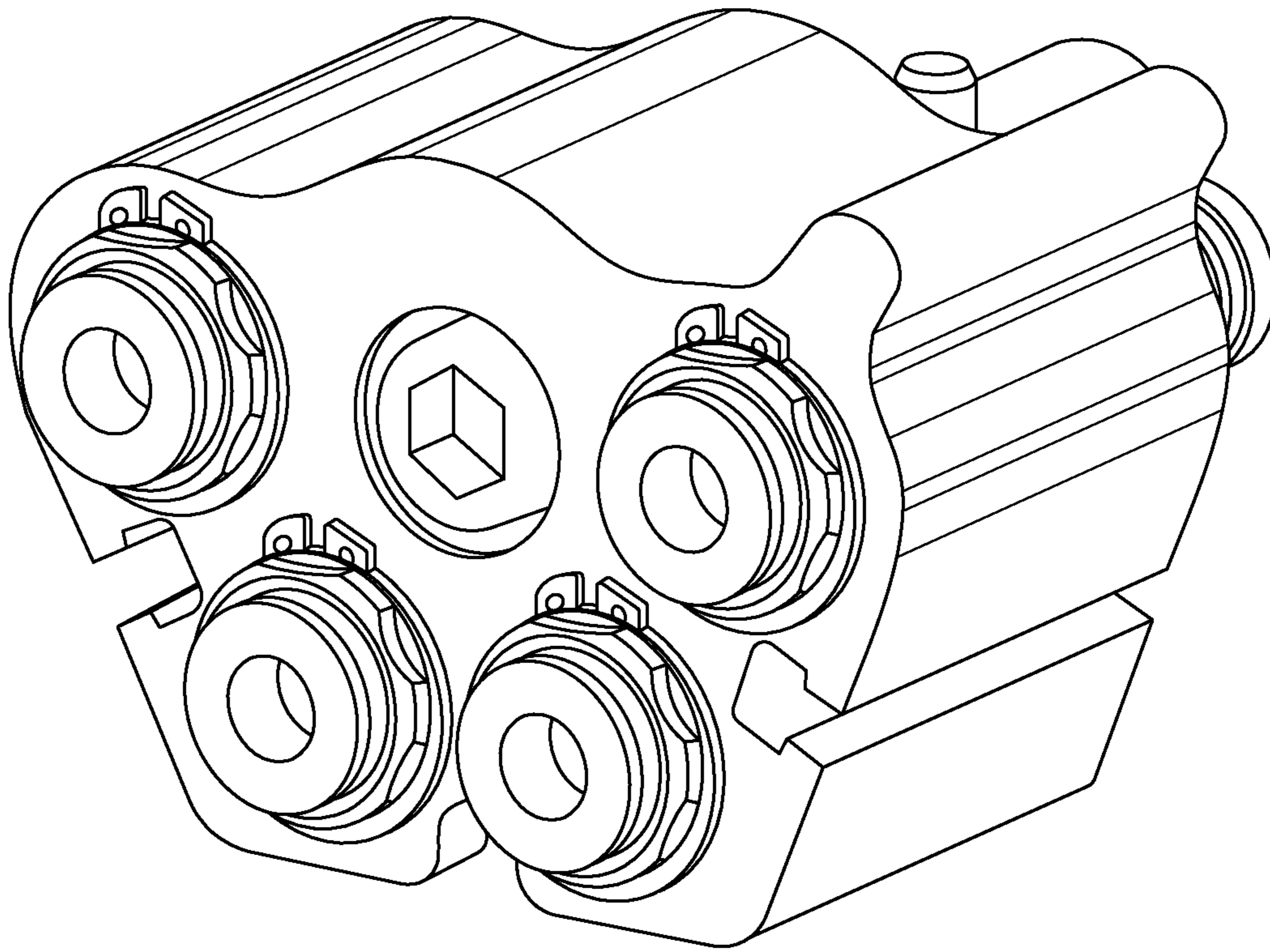


FIG. 7