



US00D681783S

(12) **United States Design Patent**  
**Chong**

(10) **Patent No.:** **US D681,783 S**

(45) **Date of Patent:** **\*\* May 7, 2013**

(54) **FAUCET BRACKET**

(75) Inventor: **Jonathan Chee Yeen Chong**, Chicago, IL (US)

(73) Assignee: **Elkay Manufacturing Company**, Oak Brook, IL (US)

(\*\*) Term: **14 Years**

(21) Appl. No.: **29/387,835**

(22) Filed: **Mar. 18, 2011**

(51) **LOC (9) Cl.** ..... **23-01**

(52) **U.S. Cl.**  
USPC ..... **D23/249**

(58) **Field of Classification Search** ..... D23/238,  
D23/249, 255; D8/349; 137/801; 4/678  
See application file for complete search history.

(56) **References Cited**

**U.S. PATENT DOCUMENTS**

D533,256	S	*	12/2006	Schaffeld et al.	.....	D23/255
D565,705	S	*	4/2008	Kuran et al.	.....	D23/249
D587,343	S	*	2/2009	Nobili	.....	D23/238
D605,260	S	*	12/2009	Allard	.....	D23/255
D618,766	S	*	6/2010	Whitaker et al.	.....	D23/255
2008/0196160	A1		8/2008	Alder et al.		

**OTHER PUBLICATIONS**

Danze, Inc., Specifications: Parma™ Single Handle Pull-Down Kitchen Faucet Model D455158, 2009.

Elkay Manufacturing Company, Specifications: Arezzo® Single Handle Kitchen Faucet Models LK7420 and LKLF7420, 2009.

Kräus USA Inc., Installation Instruction: Single Lever Pull Out Sink Mixer, Model KPF-1612, 3 pages, 2008.

Schön Brass Works, Product Specification: Single Handle Kitchen Faucet, Model SC415, 4 pages.

Vigo Industries, VG02003, 3 pages.

\* cited by examiner

*Primary Examiner* — Robin V Webster

(74) *Attorney, Agent, or Firm* — Leydig, Voit & Mayer, Ltd.

(57) **CLAIM**

The ornamental design for a faucet bracket, as shown and described.

**DESCRIPTION**

FIG. 1 is a perspective view taken from the top, front, and right side of a faucet bracket showing my new design; FIG. 2 is a top plan view of the faucet bracket shown in FIG. 1;

FIG. 3 is a bottom view of the faucet bracket shown in FIG. 1; FIG. 4 is a front elevational view of the faucet bracket shown in FIG. 1;

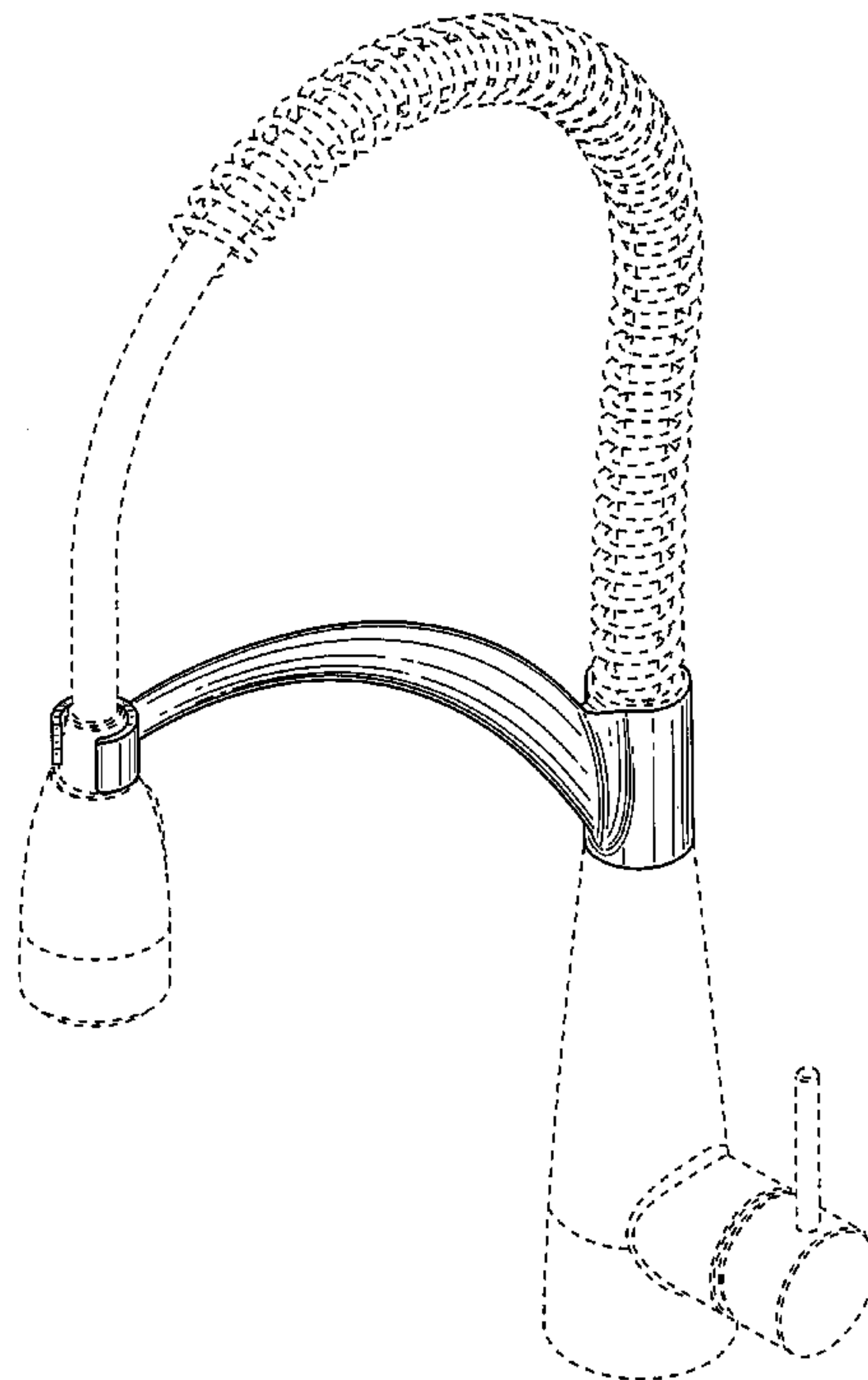
FIG. 5 is a rear elevational view of the faucet bracket shown in FIG. 1;

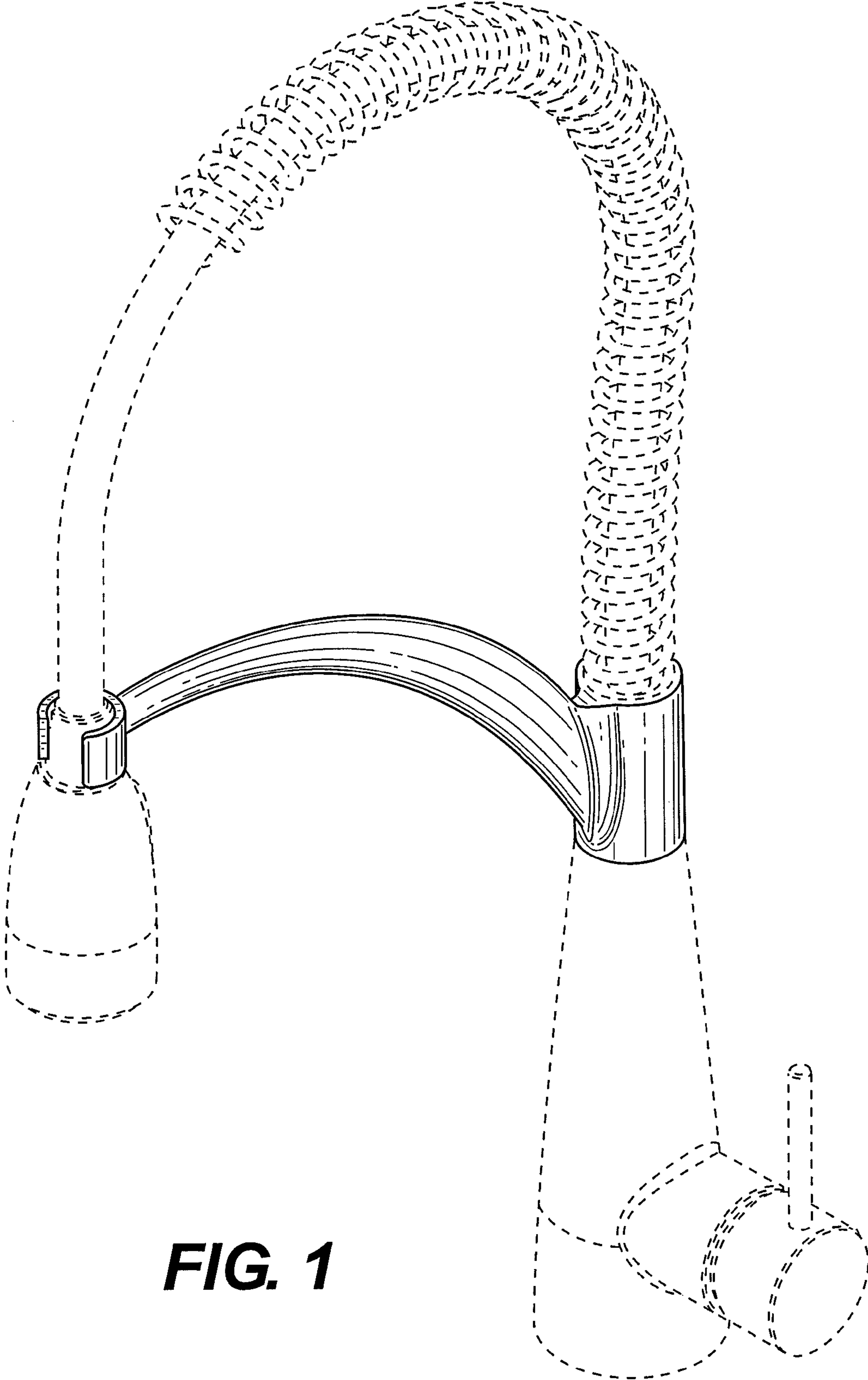
FIG. 6 is a left elevational side view of the faucet bracket shown in FIG. 1; and,

FIG. 7 is a right elevational side view of the faucet bracket shown in FIG. 1.

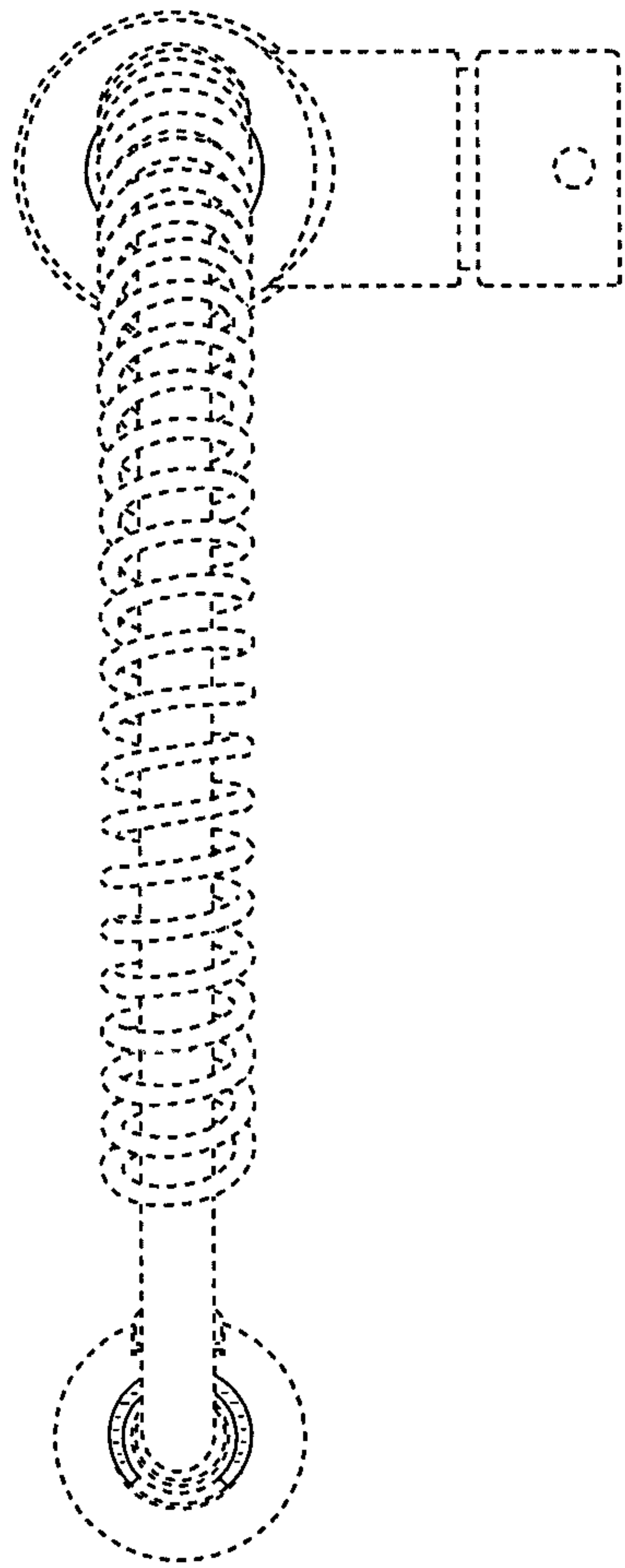
The broken lines are for illustration purposes only and form no part of the claimed design.

**1 Claim, 6 Drawing Sheets**

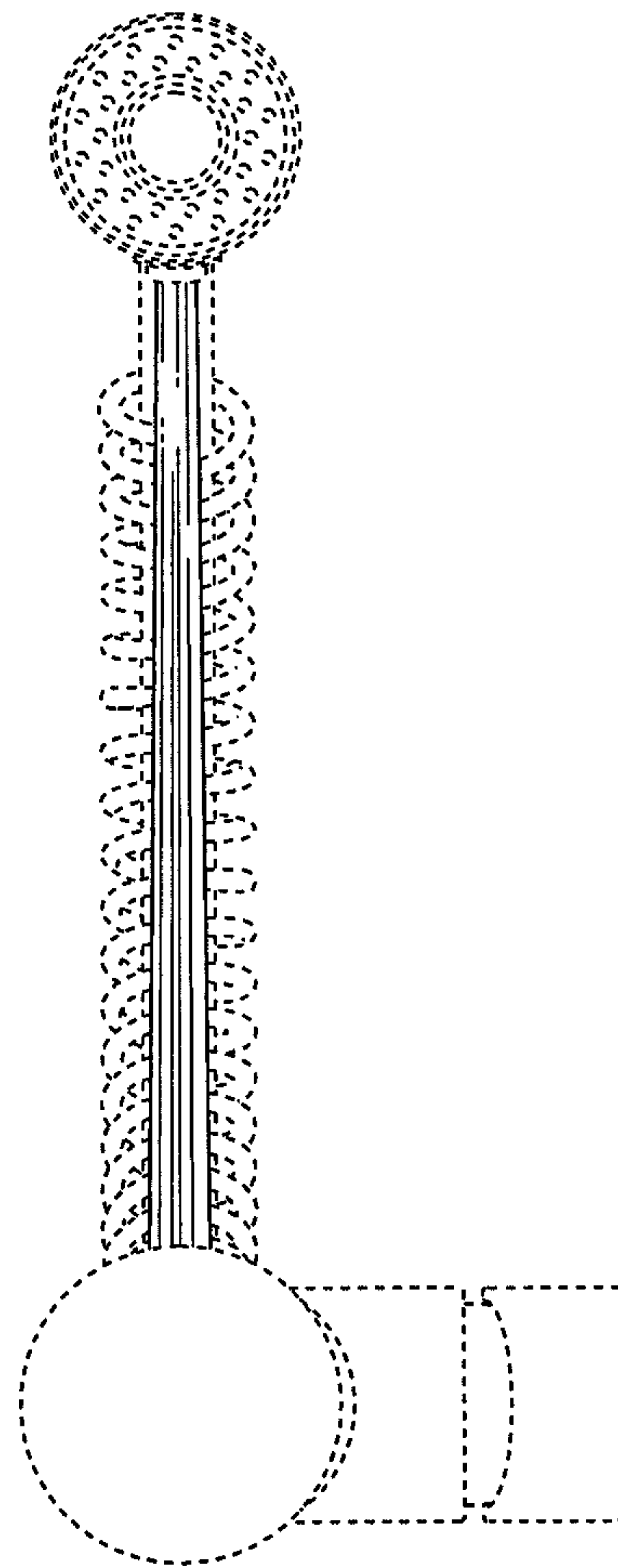




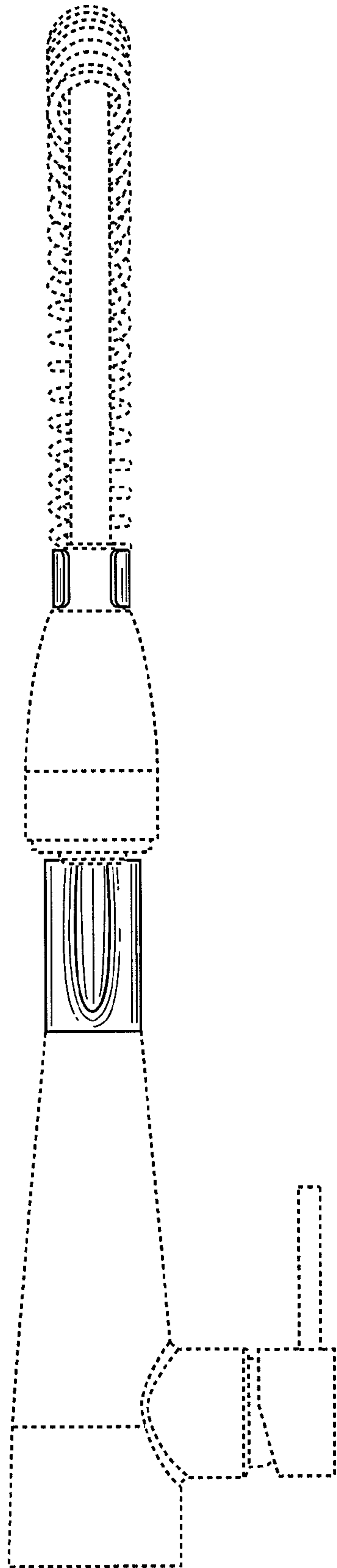
**FIG. 1**



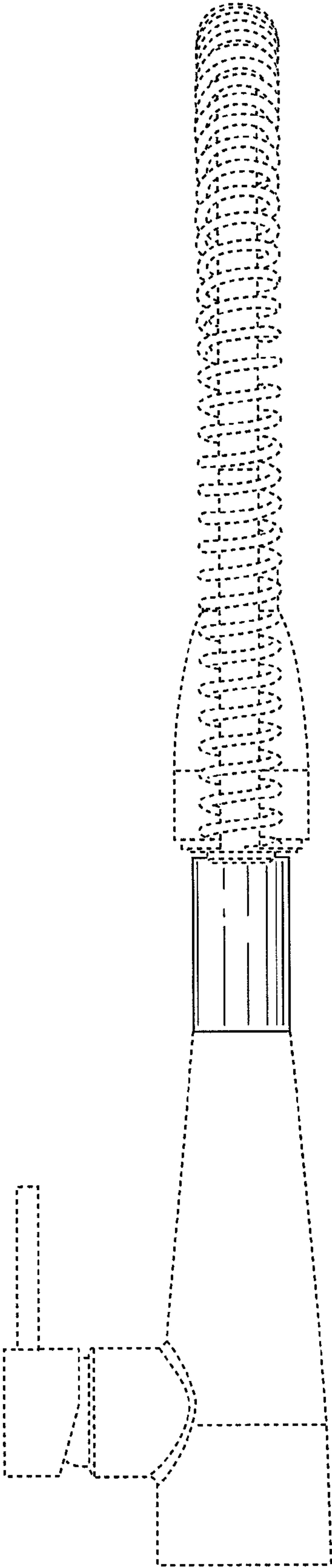
**FIG. 2**



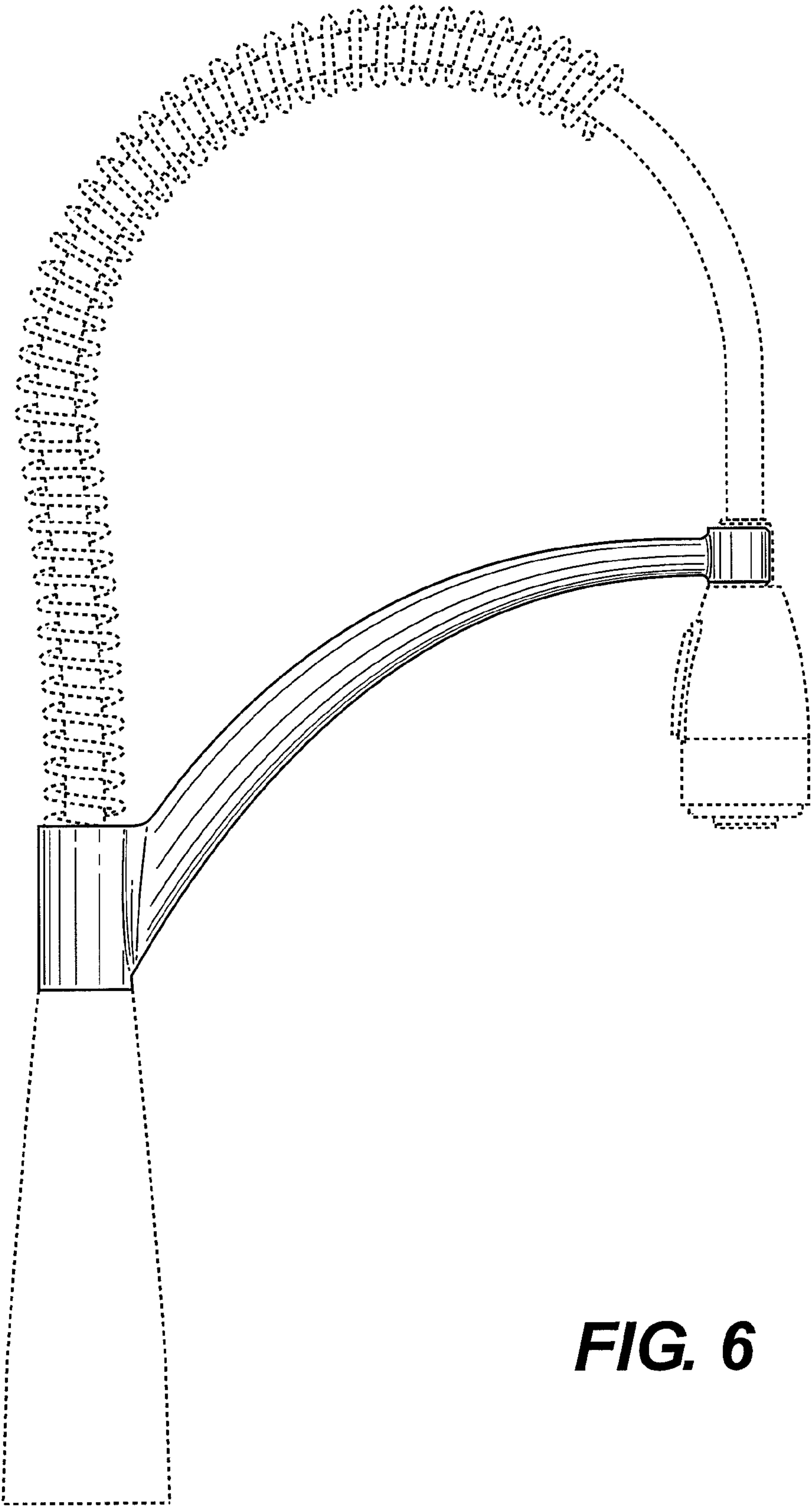
**FIG. 3**



**FIG. 4**

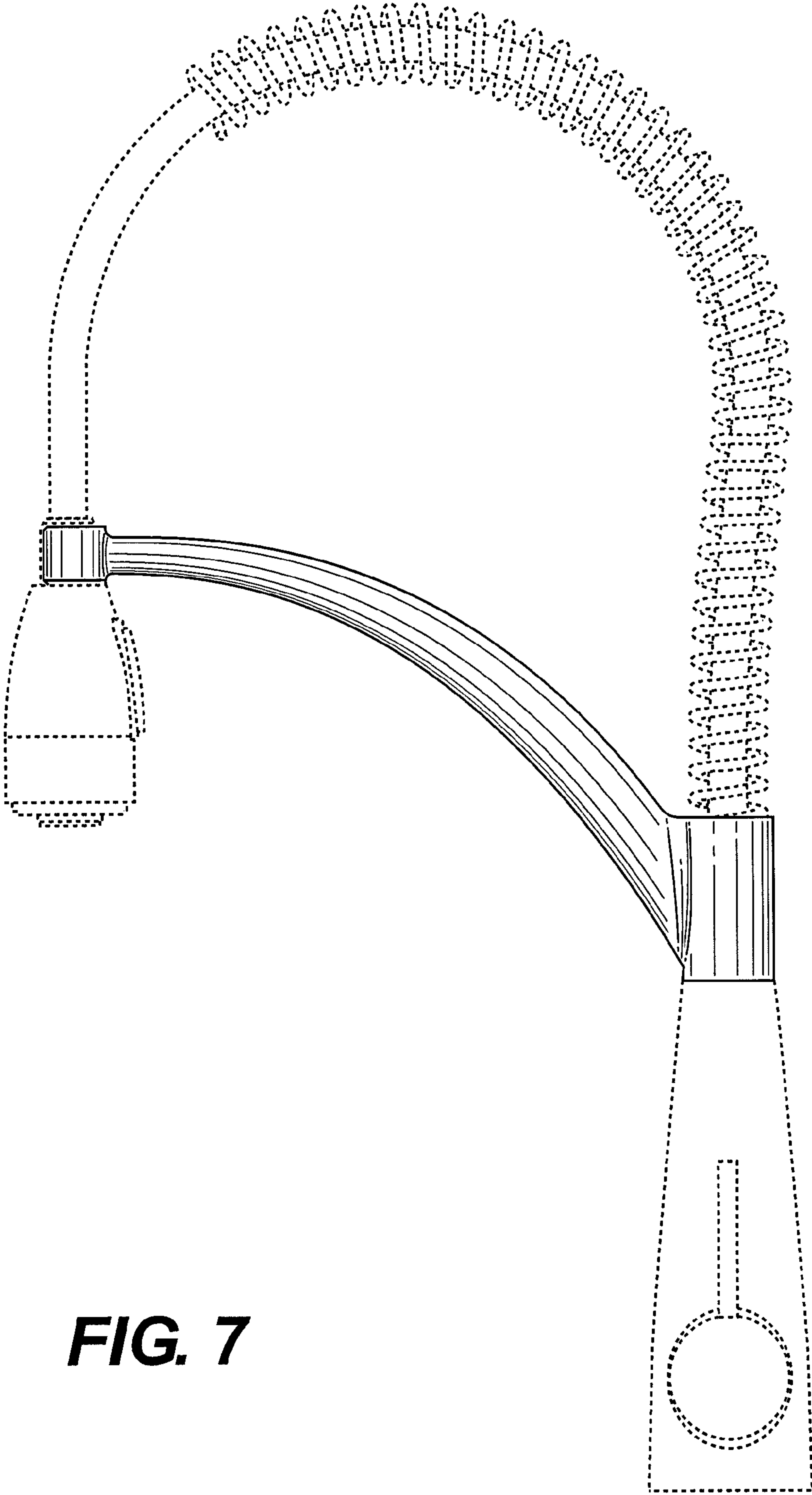


**FIG. 5**



**FIG. 6**





**FIG. 7**