



US00D681782S

(12) **United States Design Patent**
Böhm et al.

(10) **Patent No.:** **US D681,782 S**

(45) **Date of Patent:** **** May 7, 2013**

(54) **VALVE UNIT**

(75) Inventors: **Andreas Böhm**, Wennigsen (DE);
Holger Kelppe, Hannover (DE)

(73) Assignee: **WABCO GmbH**, Hannover (DE)

(**) Term: **14 Years**

(21) Appl. No.: **29/372,373**

(22) Filed: **Nov. 12, 2010**

(30) **Foreign Application Priority Data**

May 14, 2010 (EM) 001214167-0001

(51) **LOC (9) Cl.** **23-01**

(52) **U.S. Cl.**
USPC **D23/233**

(58) **Field of Classification Search** D12/179,
D12/180; D15/5; D23/233-237, 244-249,
D23/255-269, 310; 92/62-64, 80-82; 118/18 A,
118/18 R, 71.1, 71.5, 170; 192/12 R; 303/7,
303/10, 20, 119.2, 119.3

See application file for complete search history.

(56) **References Cited**

U.S. PATENT DOCUMENTS

D236,980	S	*	9/1975	Callahan et al.	D23/233
D317,815	S	*	6/1991	Jeromson et al.	D23/233
D600,179	S	*	9/2009	Schulz et al.	D12/180
D601,933	S	*	10/2009	Schulz et al.	D12/180
D614,736	S	*	4/2010	Freiler	D23/260
D627,694	S	*	11/2010	Schulz et al.	D12/180
D631,942	S	*	2/2011	Koike et al.	D23/233

* cited by examiner

Primary Examiner — Garth Rademaker

(74) *Attorney, Agent, or Firm* — Kramer Levin Naftalis & Frankel LLP

(57) **CLAIM**

The ornamental design for a valve unit, as shown and described.

DESCRIPTION

FIG. 1 is a bottom, front, right side perspective view of a valve unit showing the new design;
FIG. 2 is a top plan view thereof;
FIG. 3 is a bottom plan view thereof;
FIG. 4 is a front elevational view thereof;
FIG. 5 is a right side elevational view thereof;
FIG. 6 is a left side elevational view thereof; and,
FIG. 7 is a rear elevational view thereof.
The broken lines depict portions of the valve unit which form no part of the claimed design.

1 Claim, 7 Drawing Sheets

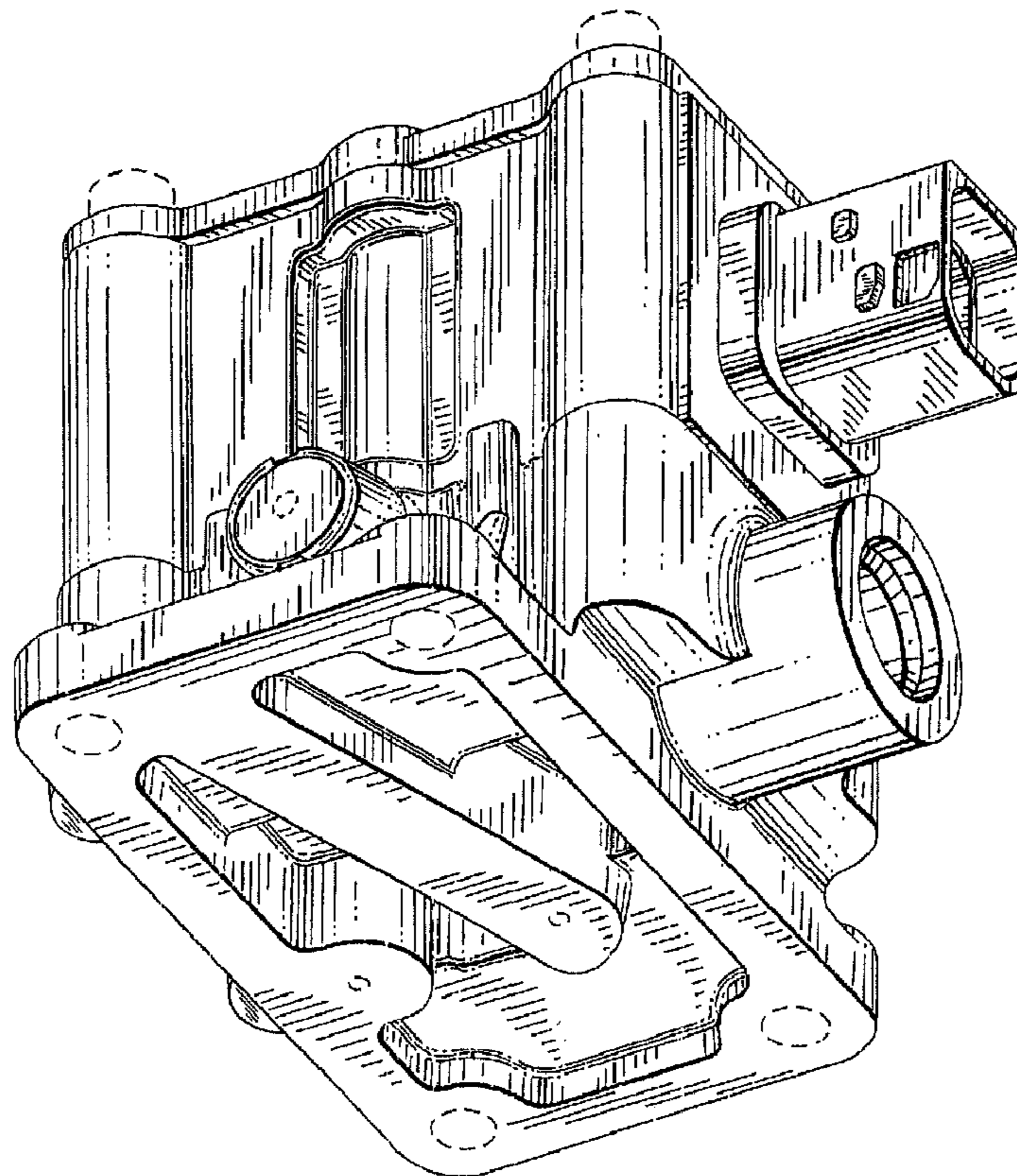
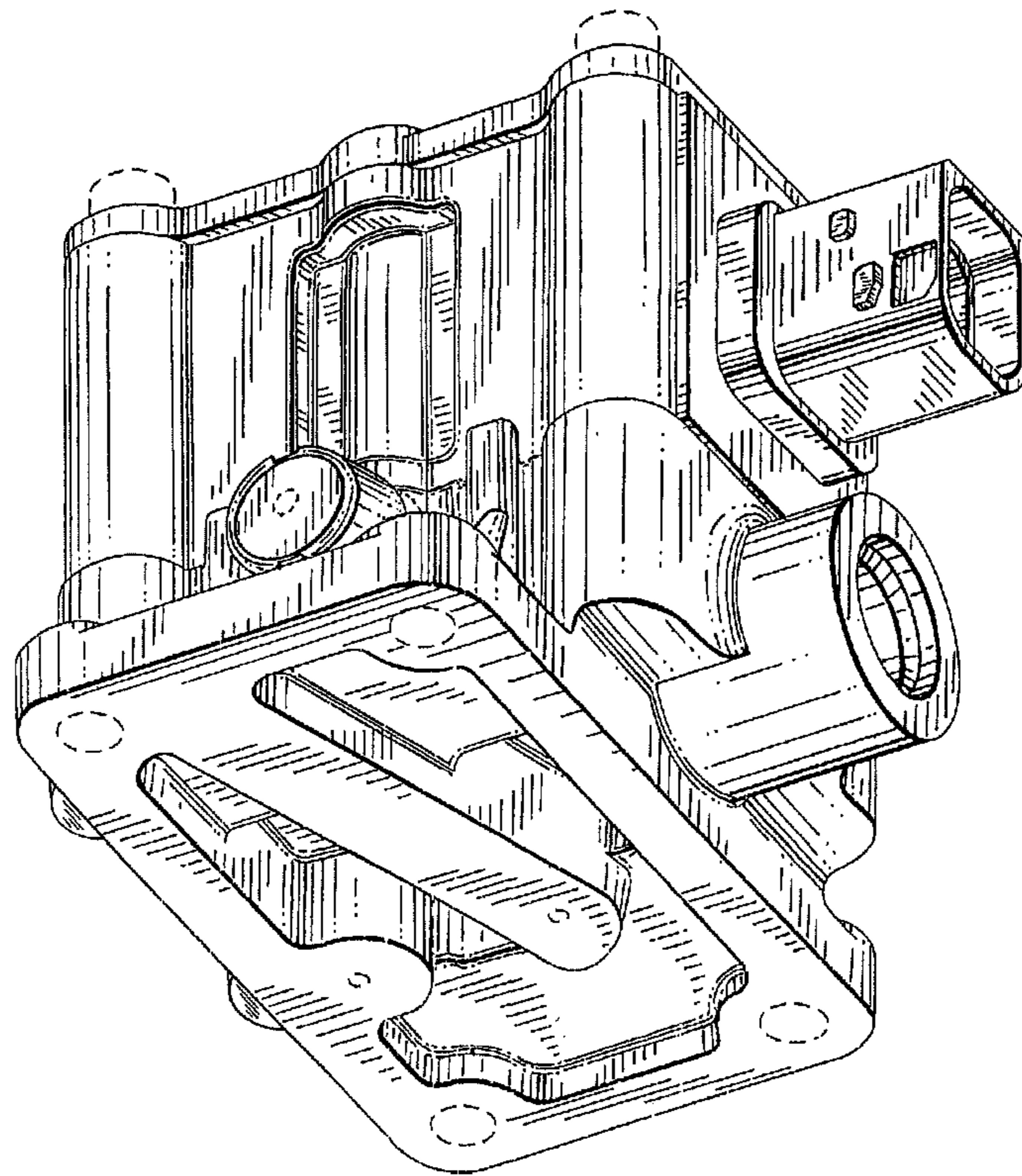


FIG. 1



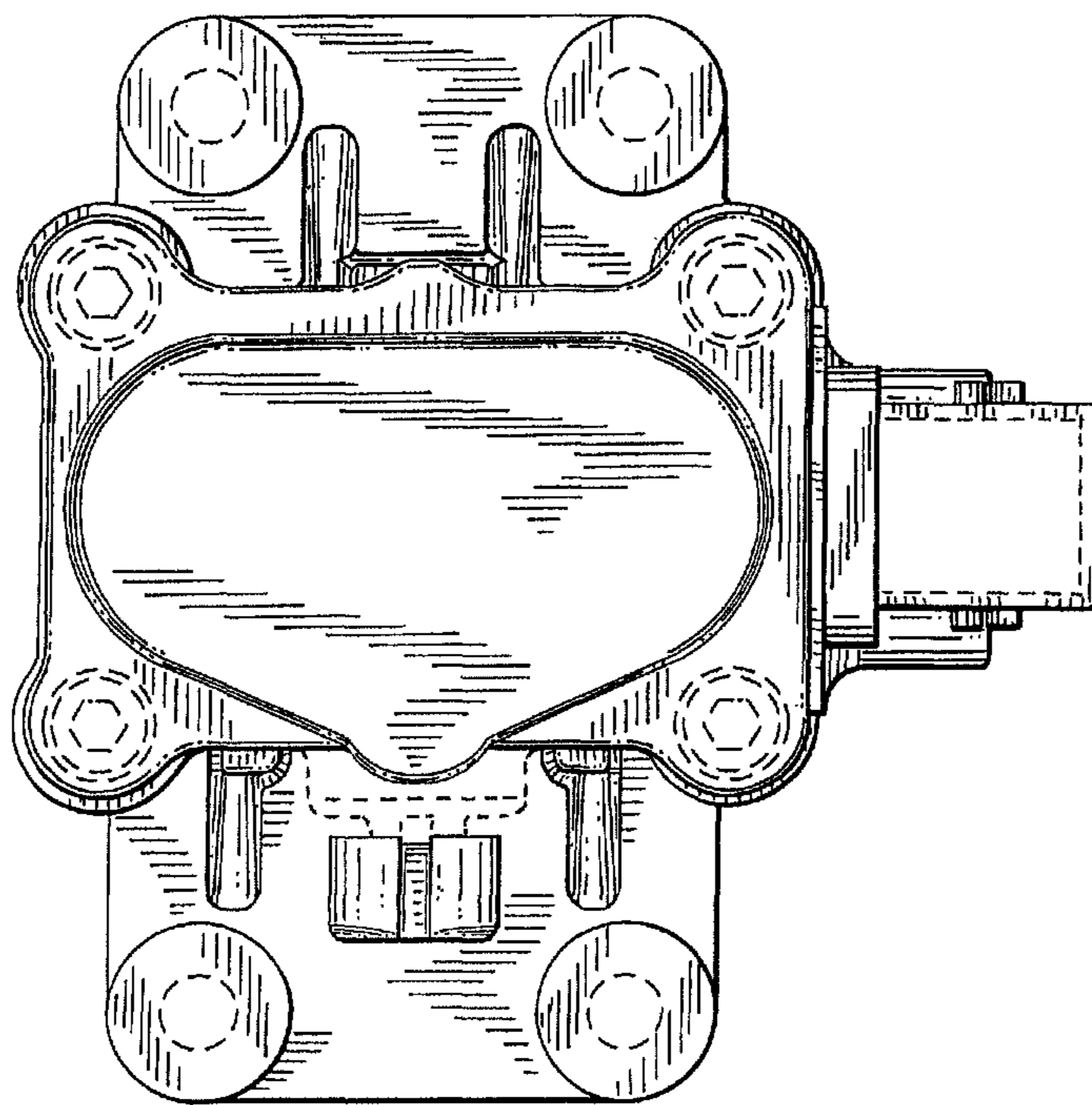


FIG. 2

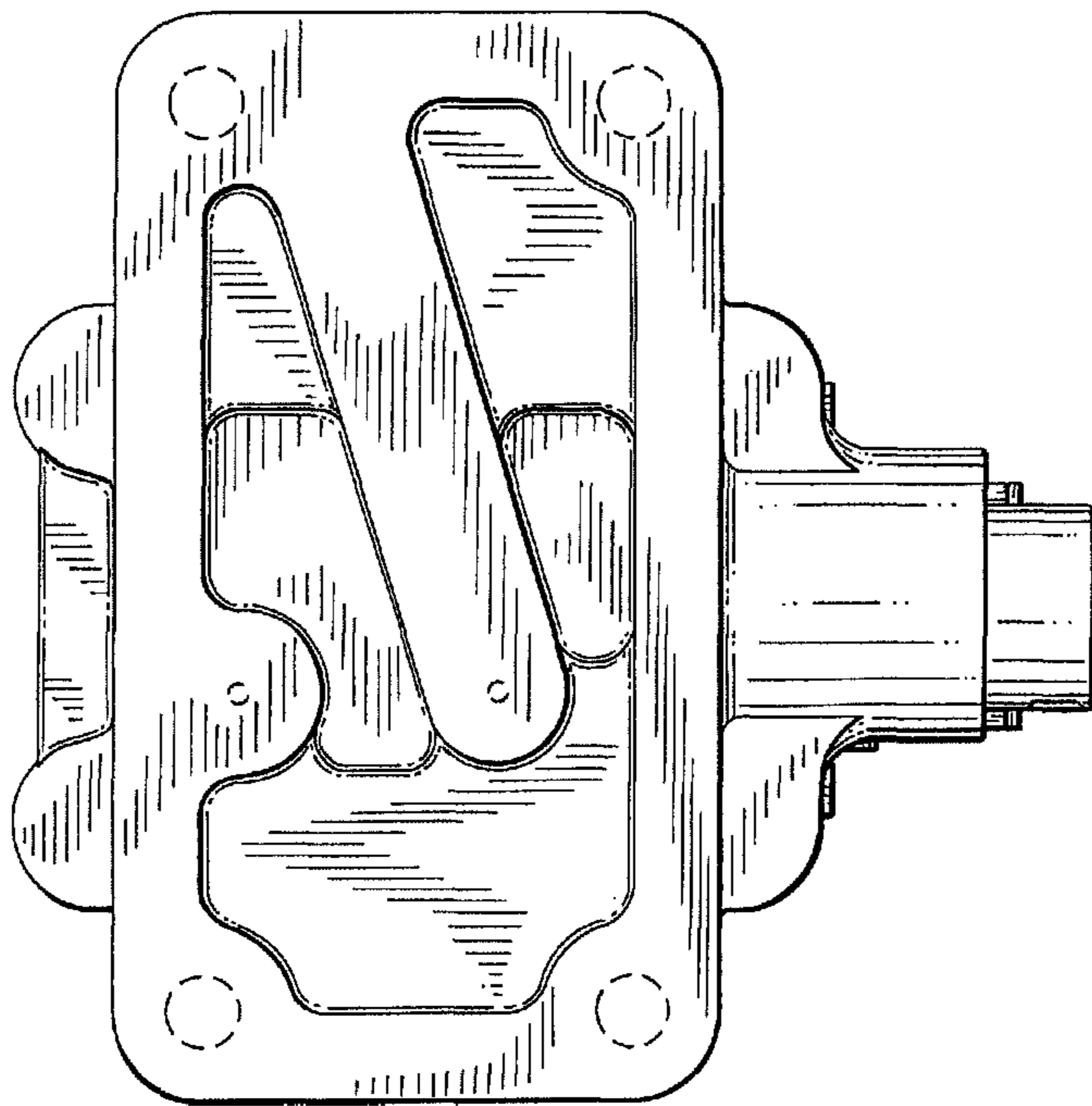


FIG. 3

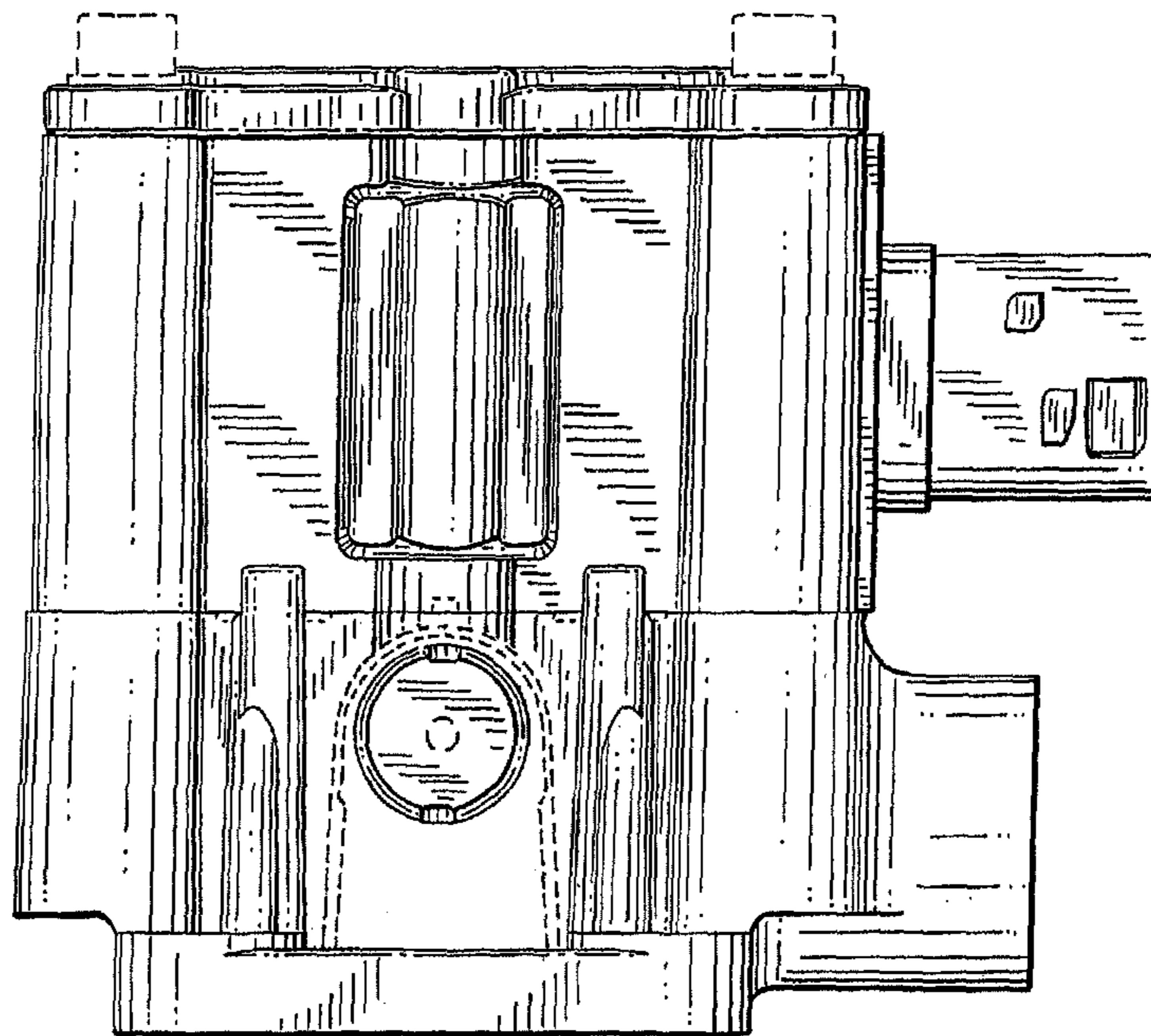


FIG. 4

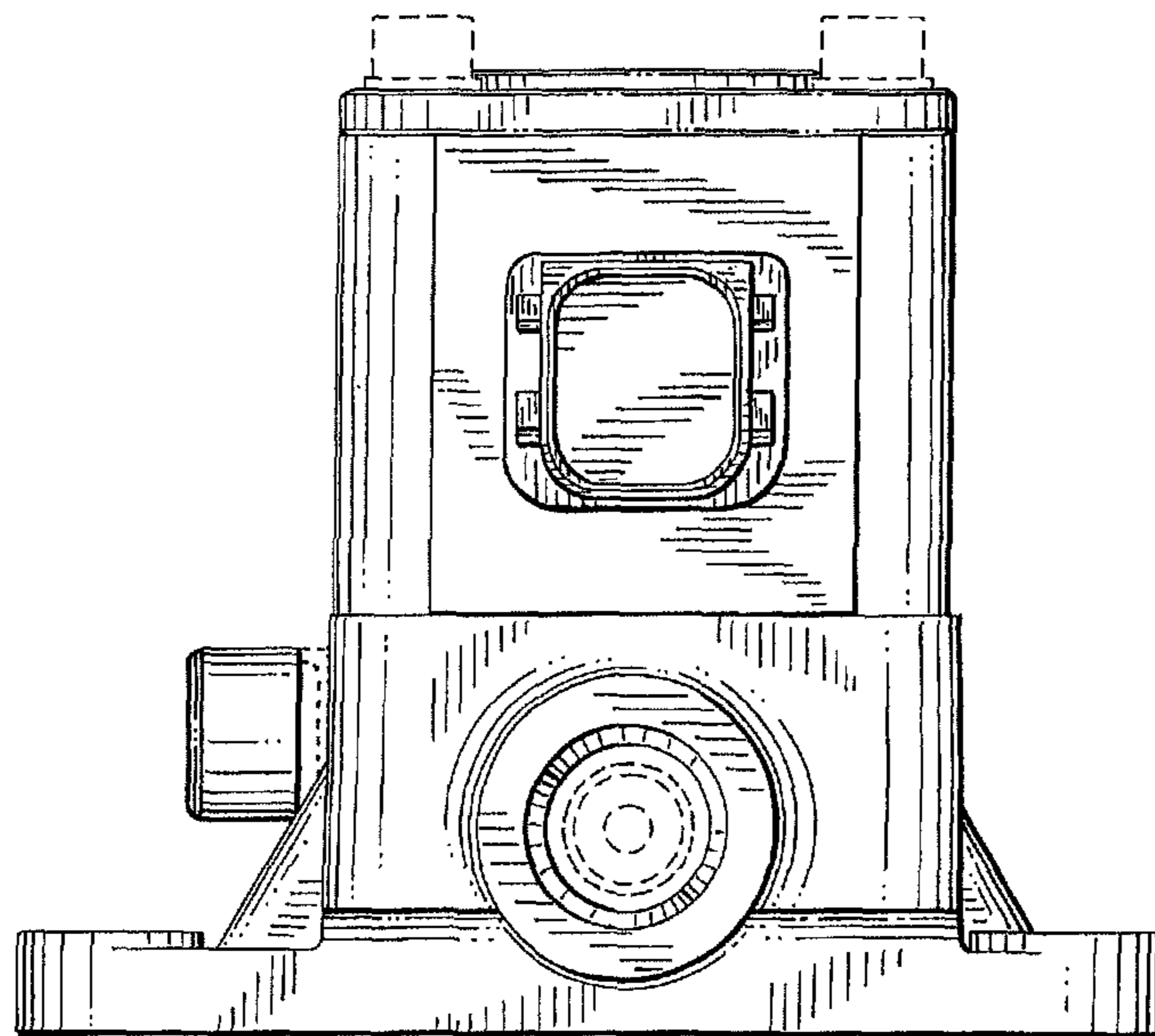


FIG. 5

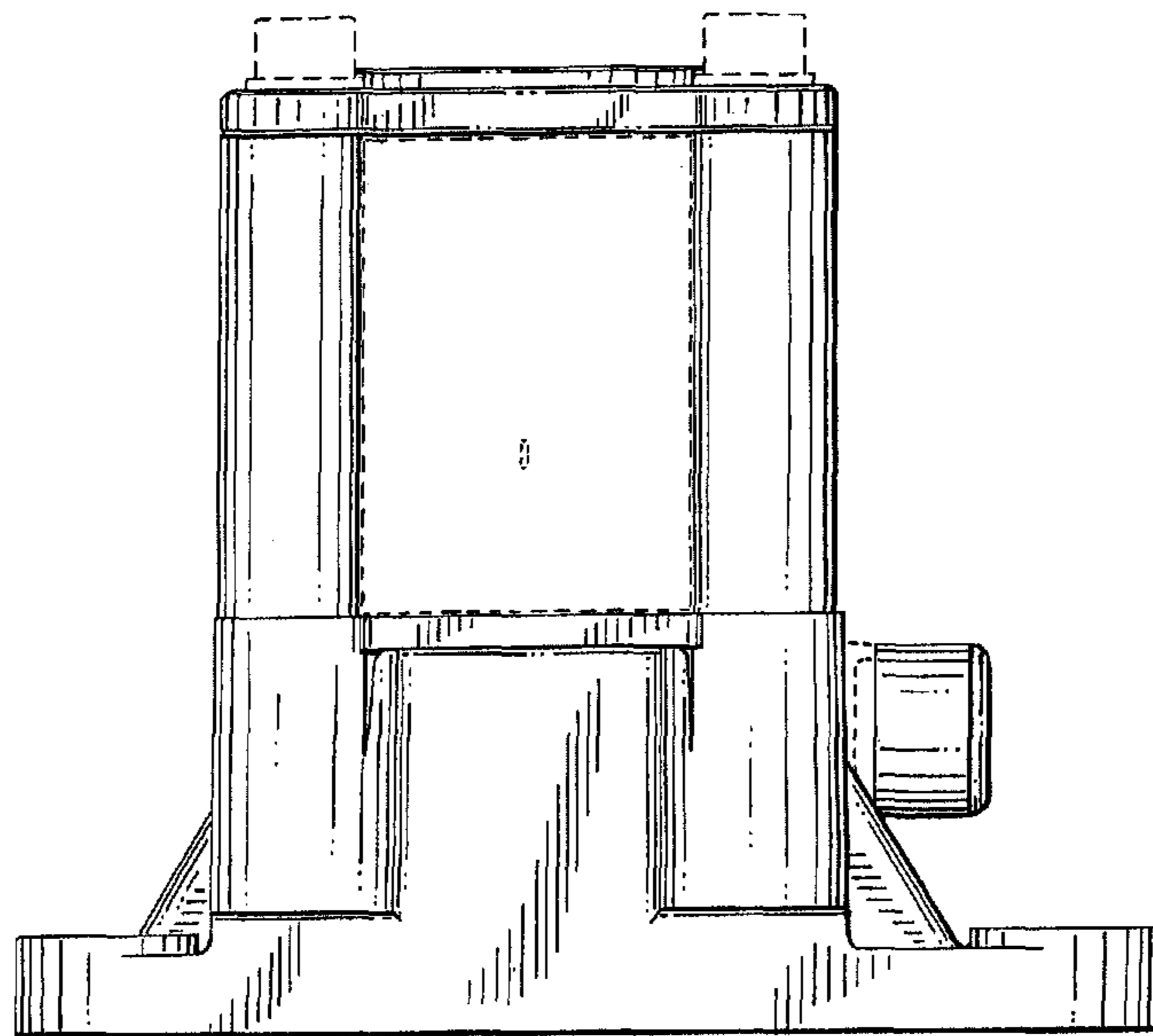


FIG. 6

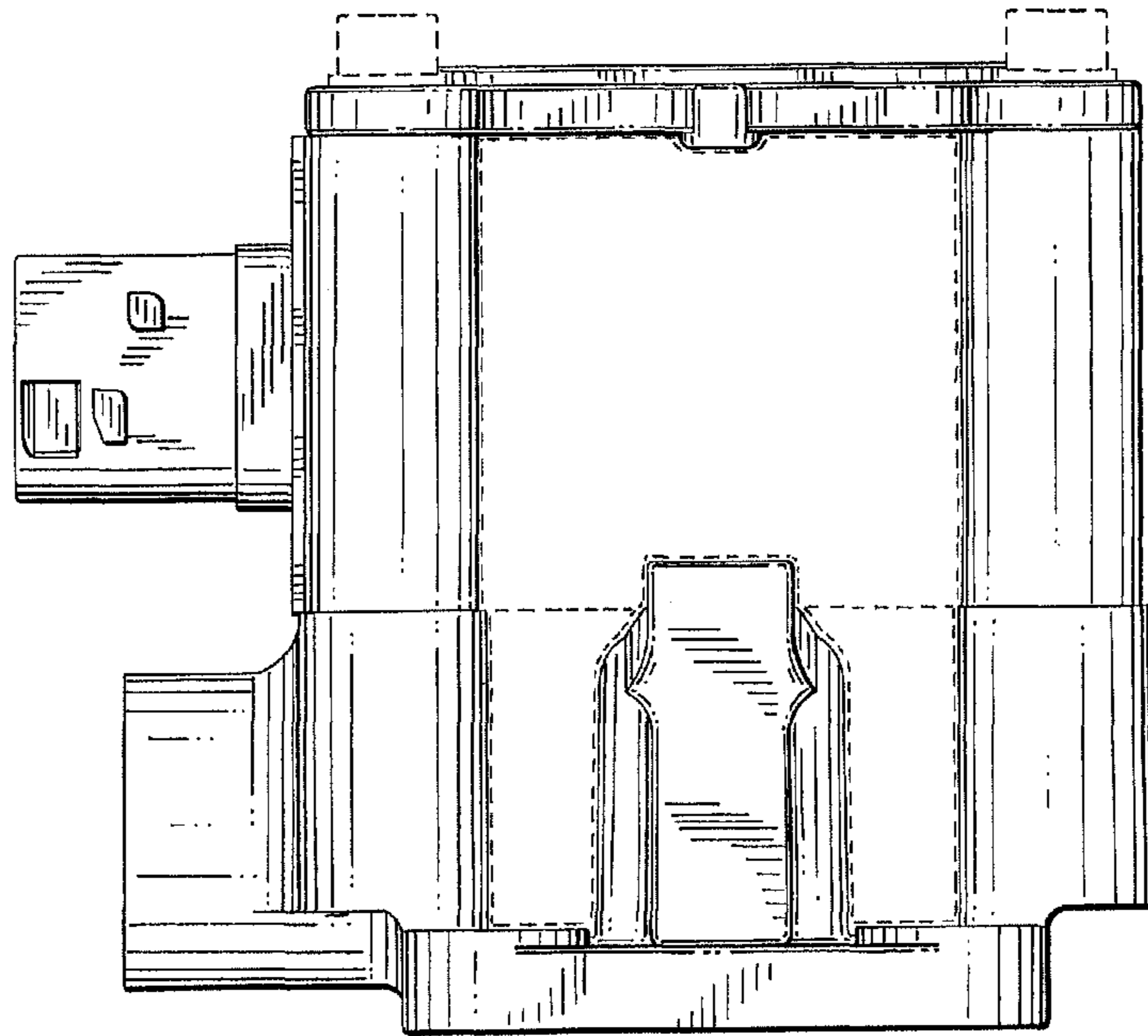


FIG. 7