



US00D681779S

(12) **United States Design Patent**
Cutler et al.

(10) **Patent No.:** **US D681,779 S**
(45) **Date of Patent:** **** May 7, 2013**

(54) **SHOWERHEAD**

D566,232 S * 4/2008 Miedzius D23/229
D652,114 S * 1/2012 Yoo D23/229

(75) Inventors: **Kyle Cutler**, Far Hills, NJ (US);
Qingshuang Li, Xiamen (CN); **Mengshi Guo**, Xiamen (CN); **Boqing Wu**, Xiamen (CN)

* cited by examiner

Primary Examiner — Robin V Webster
(74) *Attorney, Agent, or Firm* — Lerner, David, Littenberg, Krumholz & Mentlik, LLP

(73) Assignee: **Niagara Conservation Corp.**, Cedar Knolls, NJ (US)

(**) Term: **14 Years**

(57) **CLAIM**
We claim the ornamental design for a showerhead, as shown and described.

(21) Appl. No.: **29/420,650**

(22) Filed: **May 11, 2012**

DESCRIPTION

(30) **Foreign Application Priority Data**

Dec. 20, 2011 (CN) 2011 3 0490139

(51) **LOC (9) Cl.** **23-01**

(52) **U.S. Cl.**
USPC **D23/229**

(58) **Field of Classification Search** D23/213,
D23/229, 230, 223; 239/462, 282, 283
See application file for complete search history.

FIG. 1 is a left side perspective view of a showerhead in accordance with the present invention;
FIG. 2 is a rear perspective view of the showerhead in accordance with the present invention;
FIG. 3 is a right side elevational view of the showerhead in accordance with the present invention;
FIG. 4 is a front elevational view of the showerhead in accordance with the present invention, with the rear and right side elevational views being the mirror image thereof;
FIG. 5 is a top elevational view of the showerhead in accordance with the present invention; and,
FIG. 6 is a bottom elevational view of the showerhead in accordance with the present invention.

(56) **References Cited**

U.S. PATENT DOCUMENTS

D410,996 S * 6/1999 Ben-Tsur D23/229
D502,988 S * 3/2005 Wu D23/229

1 Claim, 4 Drawing Sheets

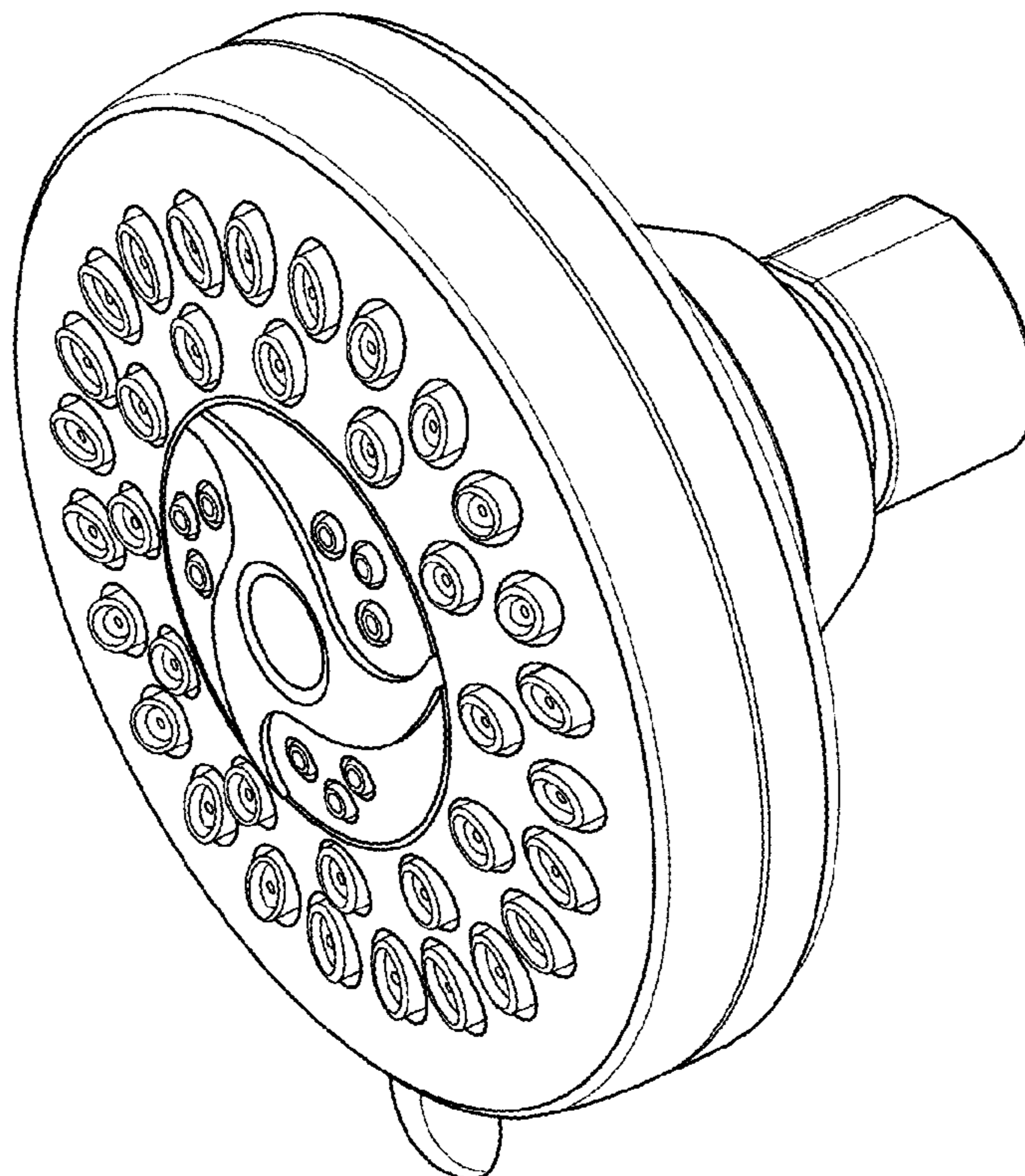


FIG. 1

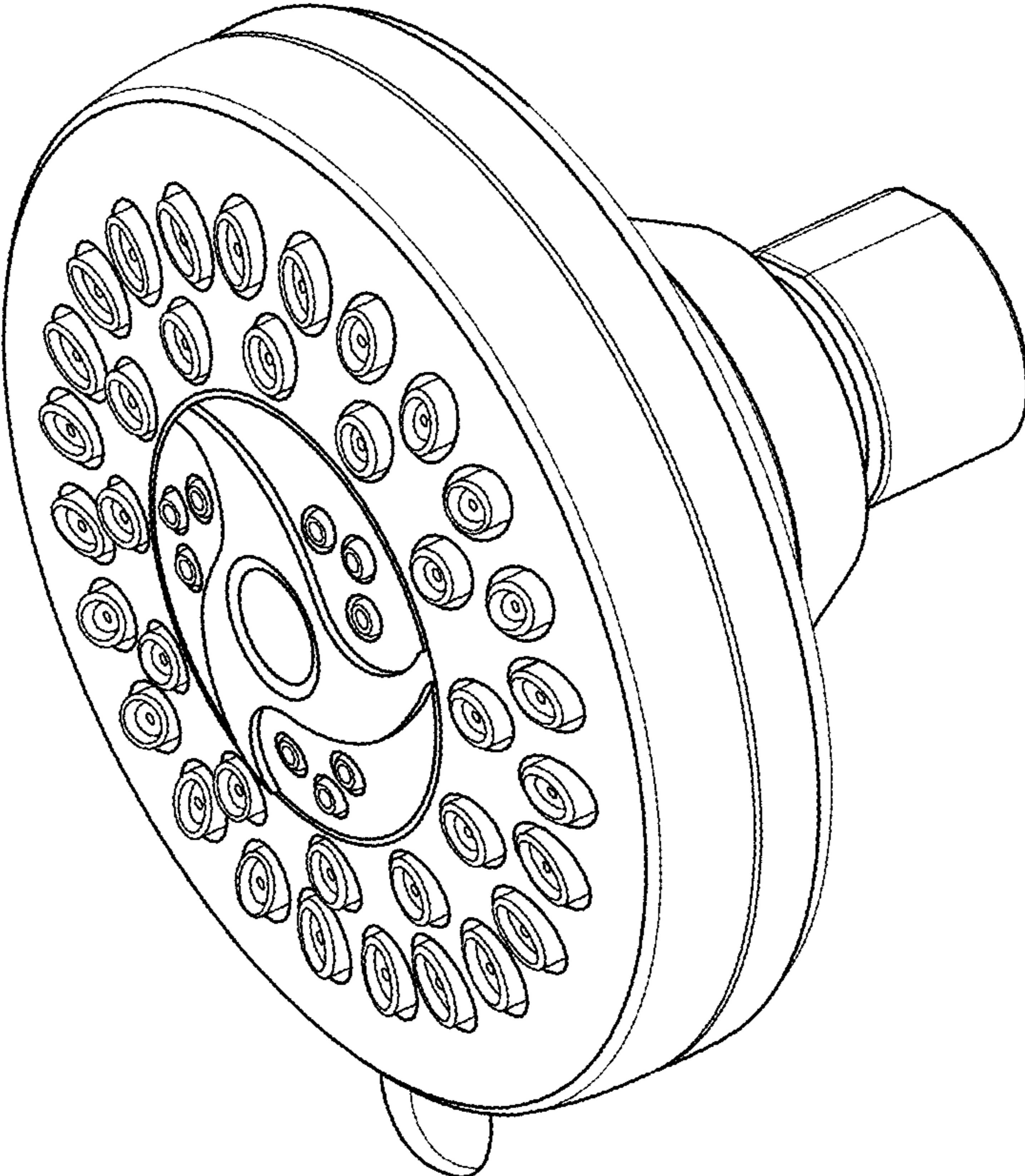


FIG. 2

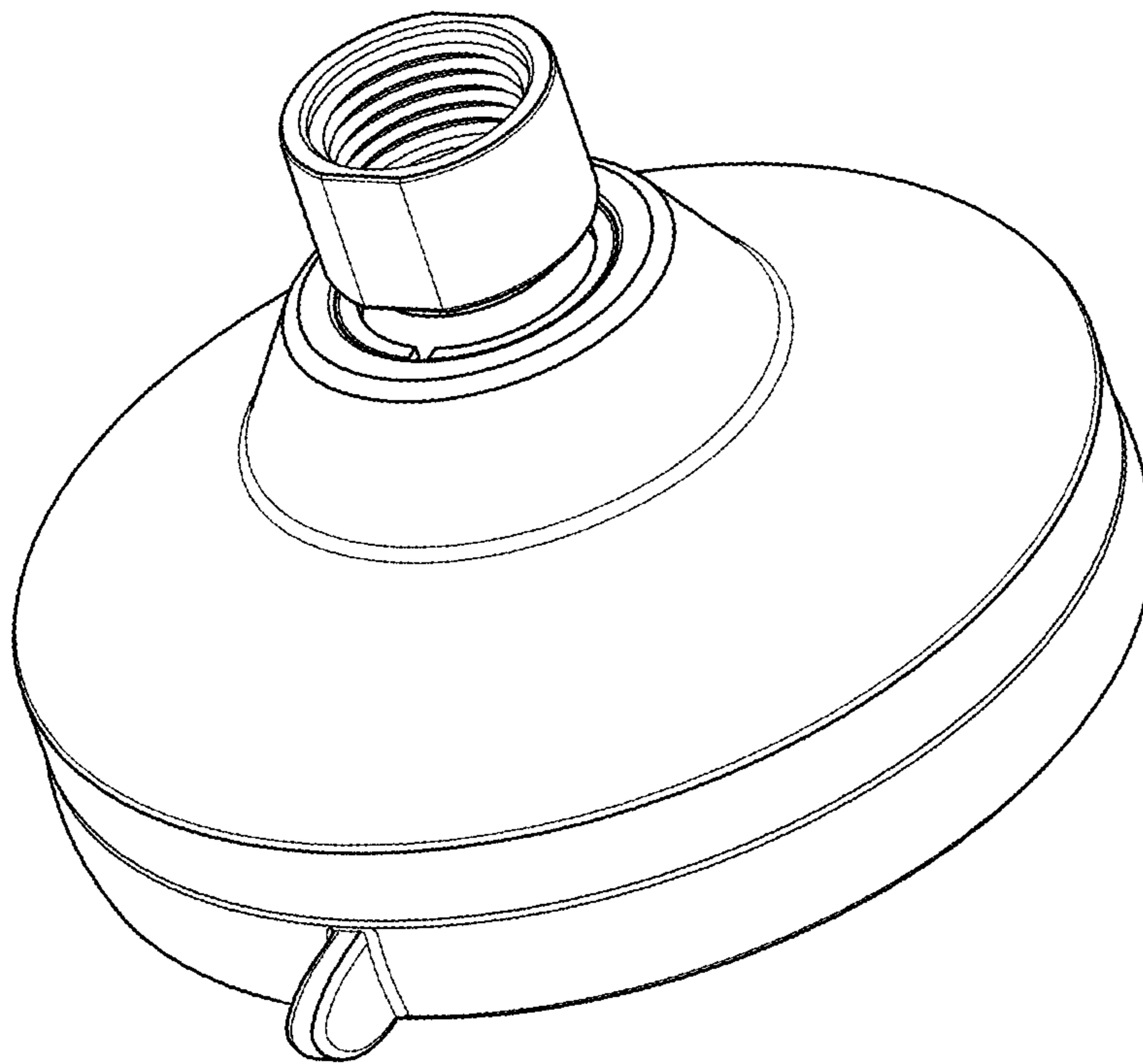


FIG. 3

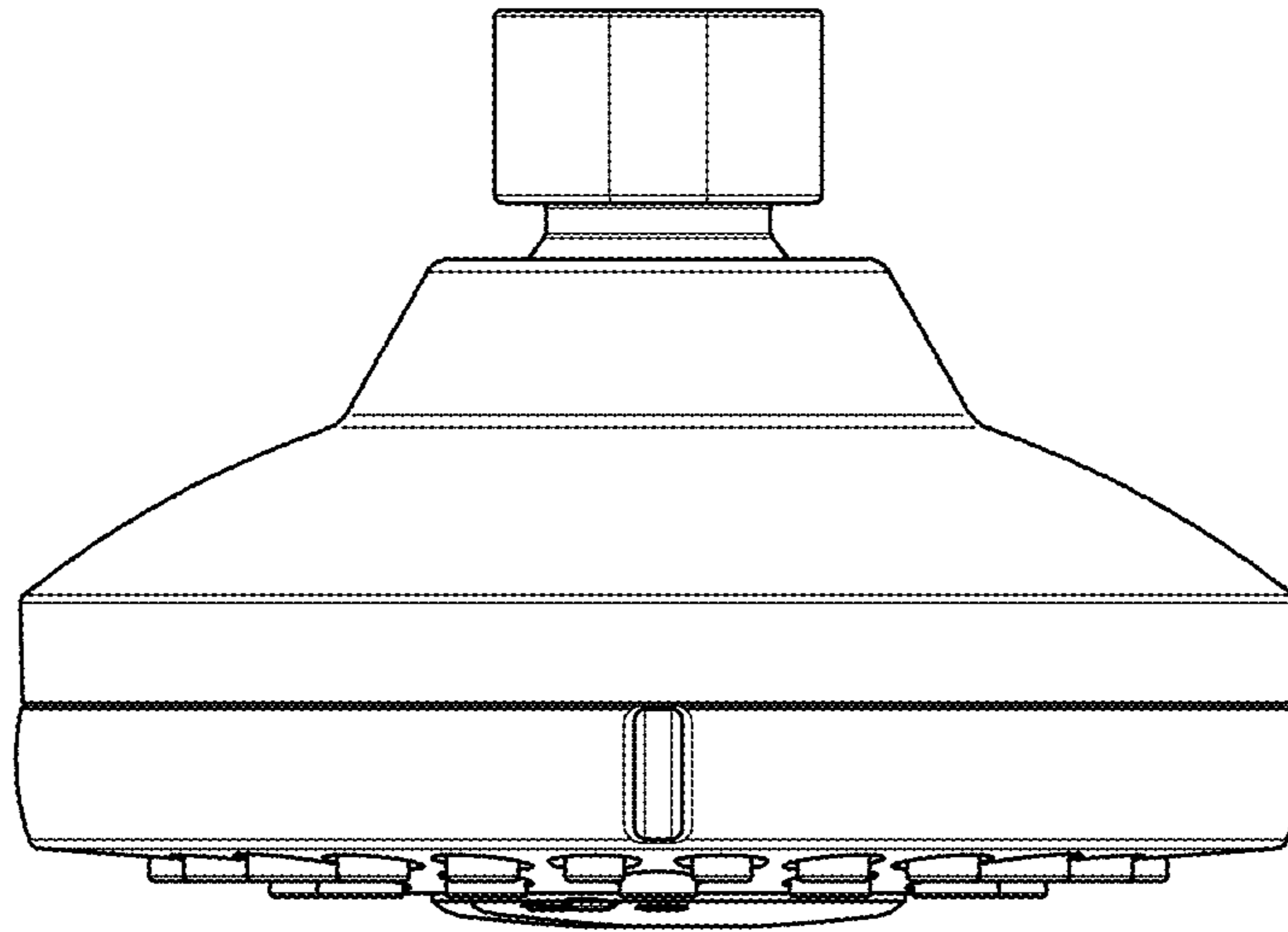


FIG. 4

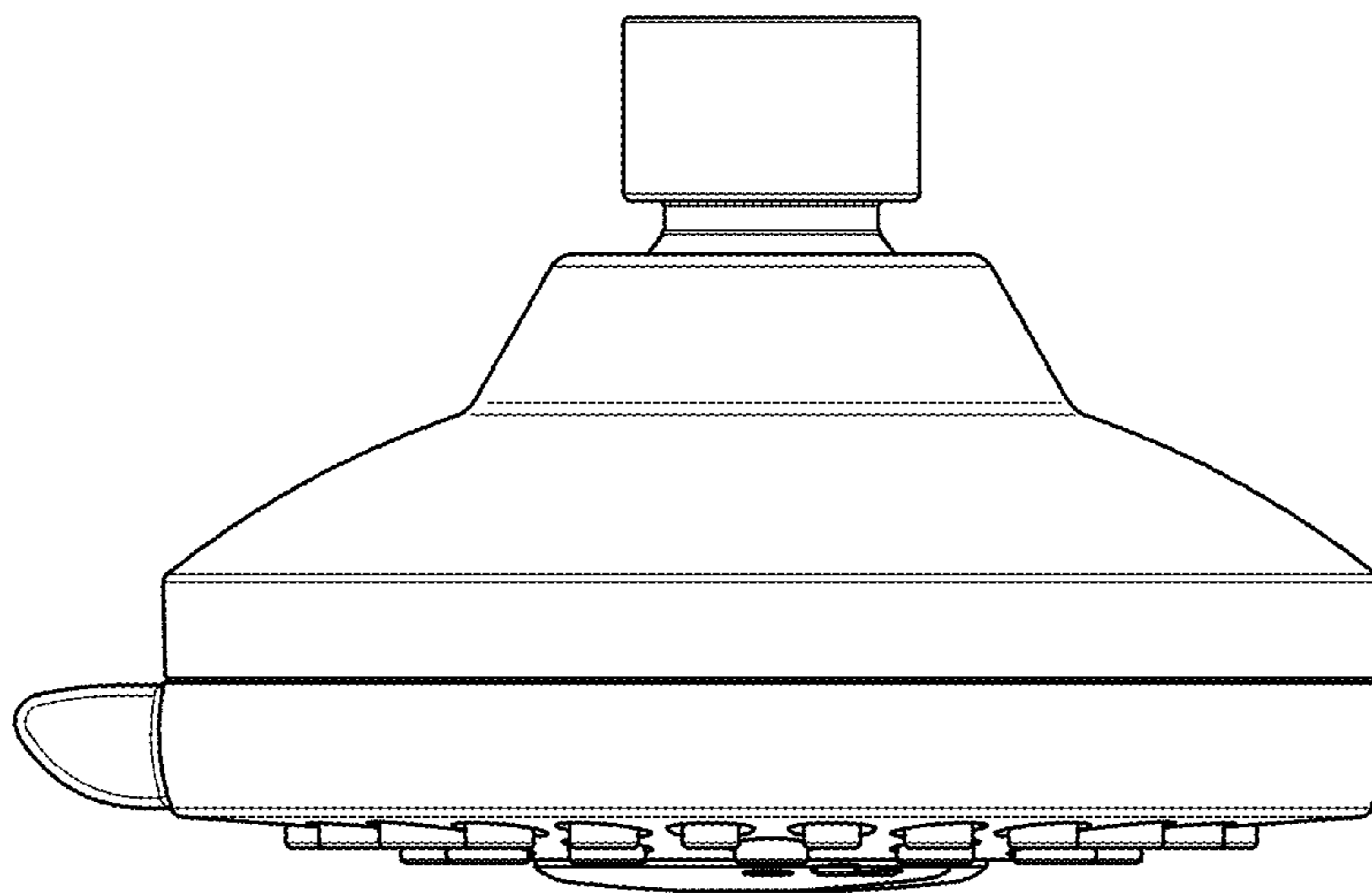


FIG. 5

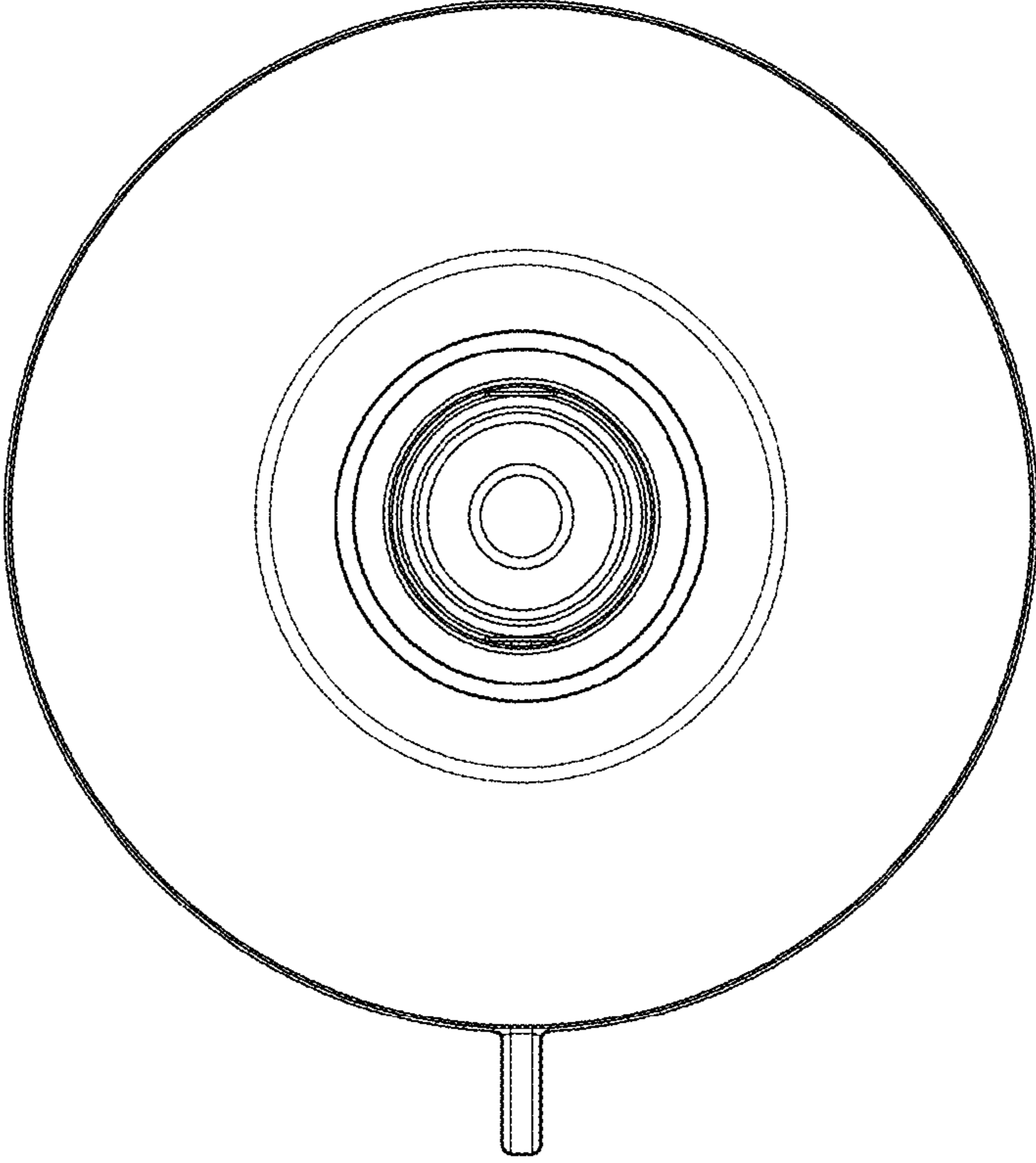


FIG. 6

