



US00D681778S

(12) **United States Design Patent**  
**Nies et al.**

(10) **Patent No.:** **US D681,778 S**  
(45) **Date of Patent:** **\*\* May 7, 2013**

(54) **REAR TRIGGER WATER NOZZLE DEVICE**

(75) Inventors: **Juergen Nies**, Winchester, VA (US); **Ha Van Duong**, Winchester, VA (US); **Vicky Ann Michael**, Winchester, VA (US); **Sean W. Svendsen**, Columbus, OH (US); **Dana Justin Koppes**, Worthington, OH (US); **Ryan S. Crisp**, Lewis Center, OH (US); **Eric J. Fickas**, Powell, OH (US)

D548,392 S	8/2007	Lo et al.	
D553,223 S	10/2007	Yu	
D558,858 S	1/2008	Chih	
D559,354 S	1/2008	Chih	
D584,381 S	1/2009	Hung	
D585,958 S	2/2009	Cheng	
D604,390 S	11/2009	Cheng	
D606,625 S	12/2009	Zore	
D650,043 S *	12/2011	Nies et al.	D23/223
D650,045 S *	12/2011	Nies et al.	D23/223

\* cited by examiner

(73) Assignee: **Melnor, Inc.**, Winchester, VA (US)

(\*\*) Term: **14 Years**

(21) Appl. No.: **29/428,685**

(22) Filed: **Aug. 2, 2012**

(51) **LOC (9) Cl.** ..... **23-01**

(52) **U.S. Cl.**  
USPC ..... **D23/226**

(58) **Field of Classification Search** ..... D23/213,  
D23/223, 226; 239/525-527, 458, 459  
See application file for complete search history.

(56) **References Cited**

U.S. PATENT DOCUMENTS

D370,713 S	6/1996	Guo
D451,981 S	12/2001	Ericksen
D468,802 S	1/2003	Nien
D484,947 S	1/2004	Chen
D534,241 S	12/2006	Wang

*Primary Examiner* — Robin V Webster

(74) *Attorney, Agent, or Firm* — Westerman, Hattori, Daniels & Adrian, LLP

(57) **CLAIM**

The ornamental design for a rear trigger water nozzle device, as shown and described.

**DESCRIPTION**

FIG. 1 is a right, front perspective view of a rear trigger water nozzle device;  
FIG. 2 is a right side elevation view thereof;  
FIG. 3 is a left side elevation view thereof;  
FIG. 4 is a rear side elevation view thereof;  
FIG. 5 is a front side elevation view thereof;  
FIG. 6 is a top plan view thereof; and,  
FIG. 7 is a bottom plan view thereof.  
The broken lines illustrate environmental structure only and form no part of the claimed design.

**1 Claim, 7 Drawing Sheets**

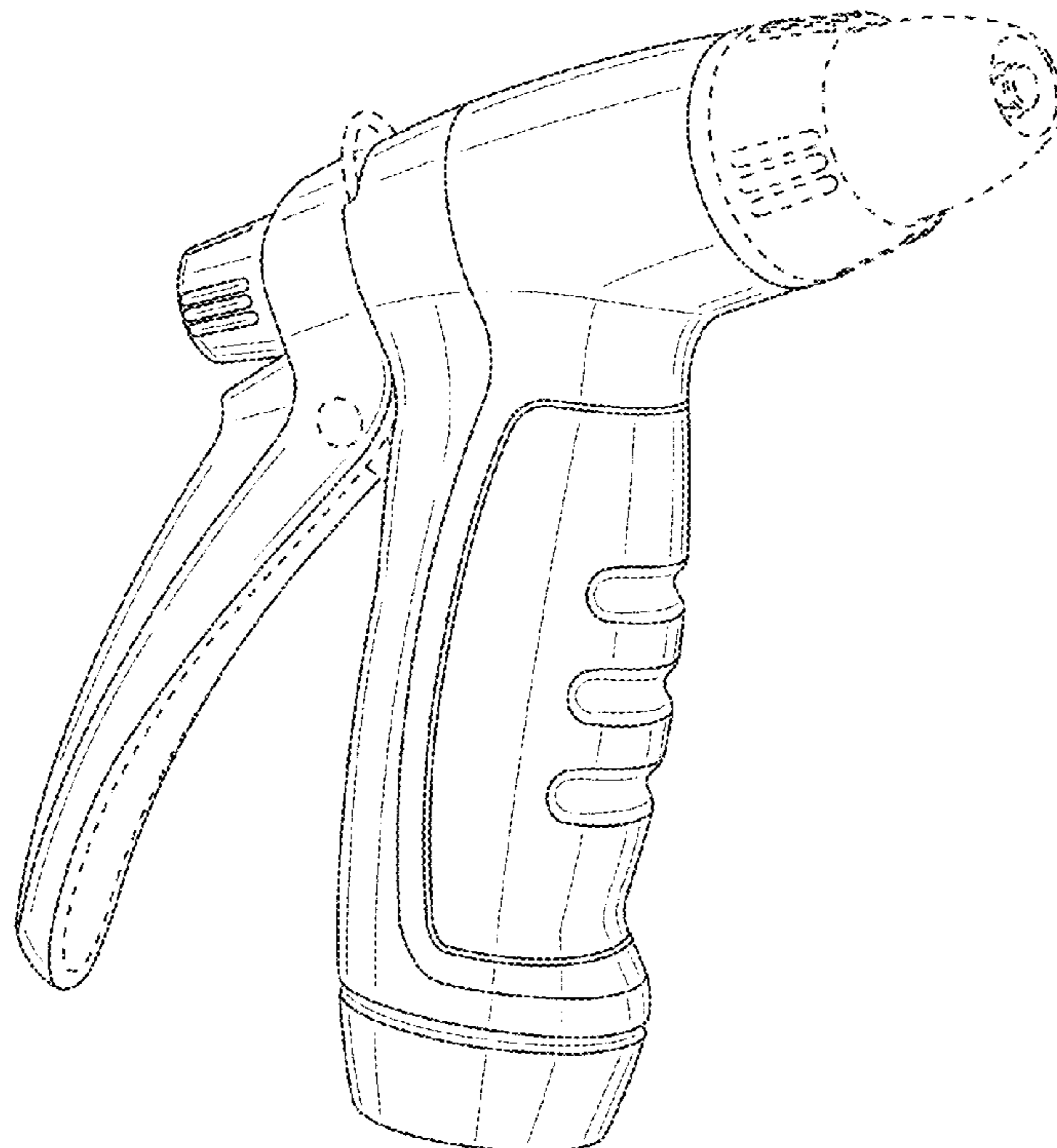


FIG. 1

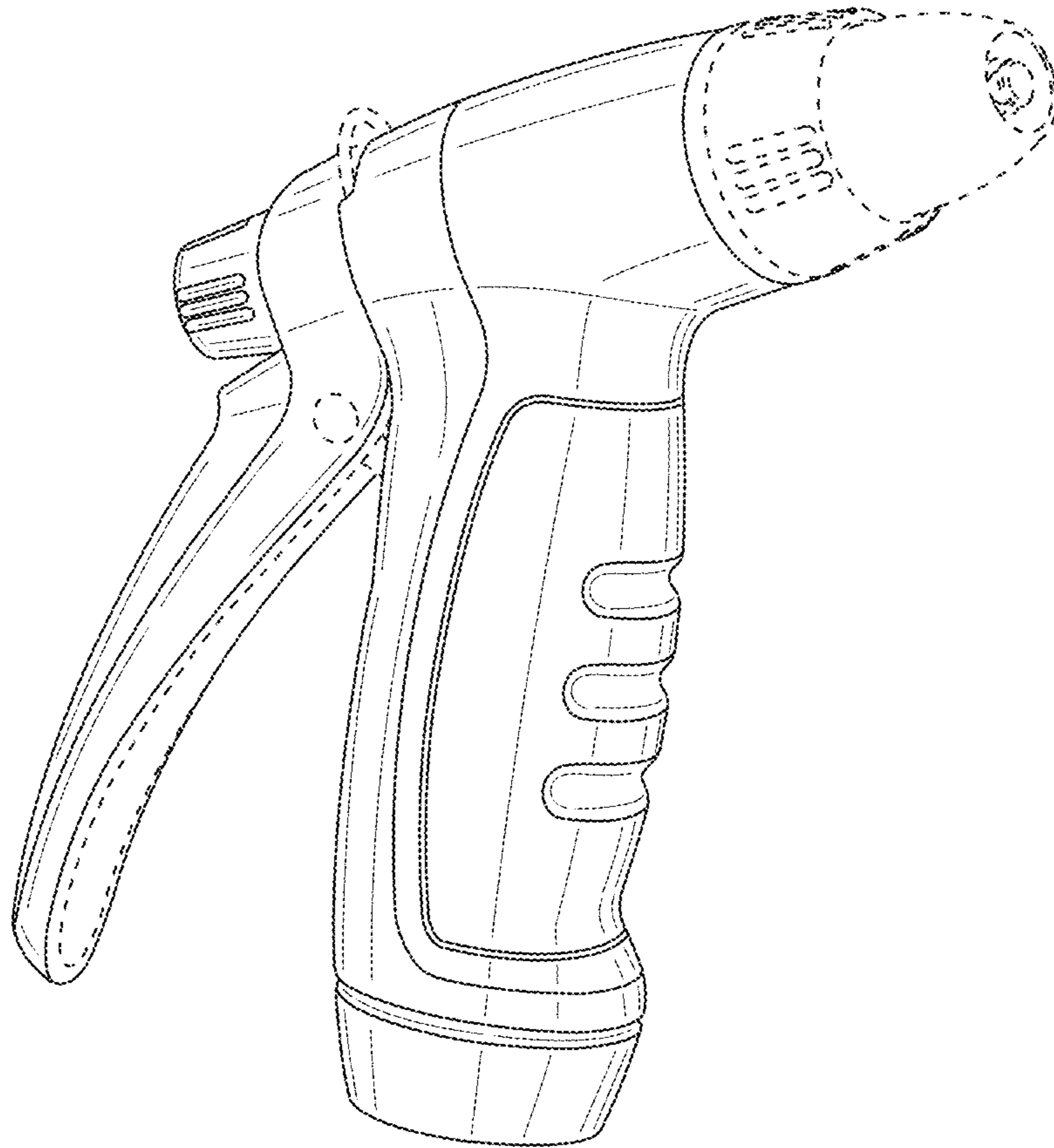


FIG.2

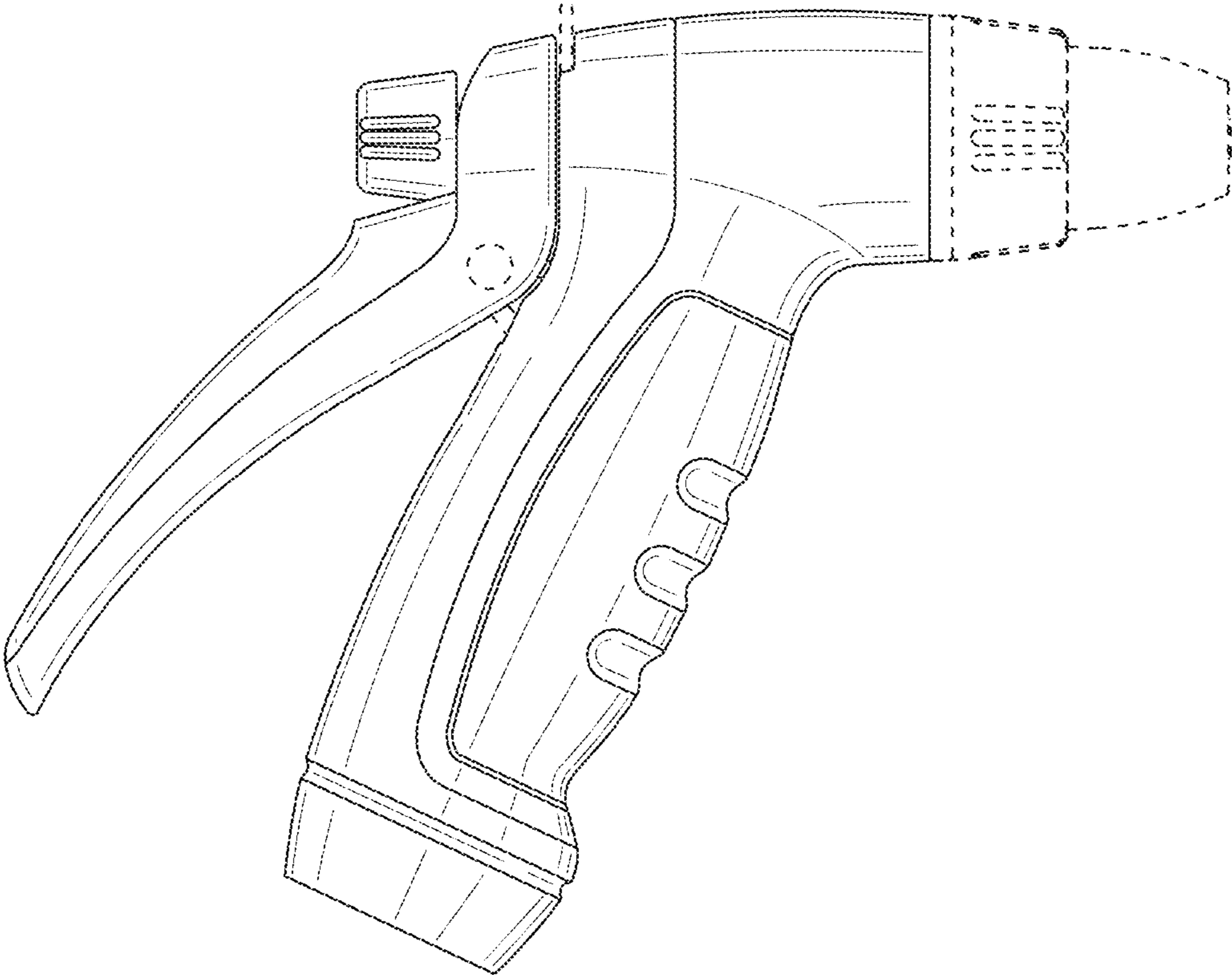


FIG. 3

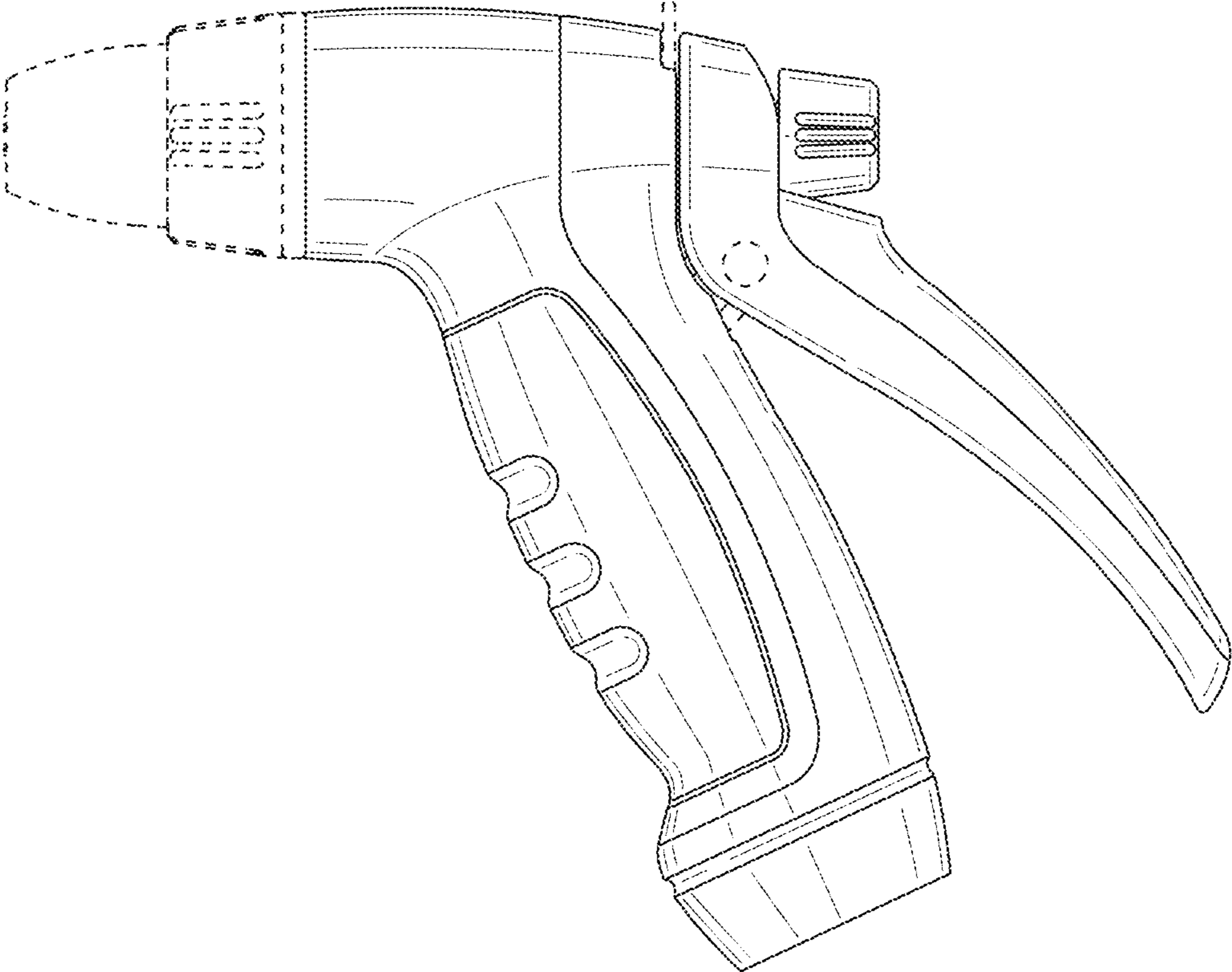


FIG.4

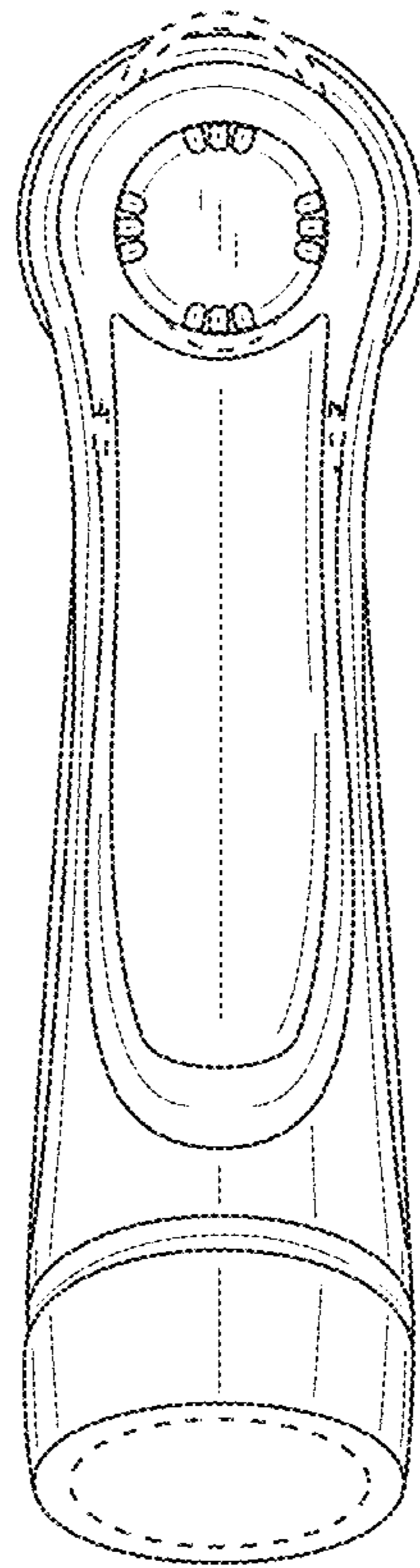


FIG. 5

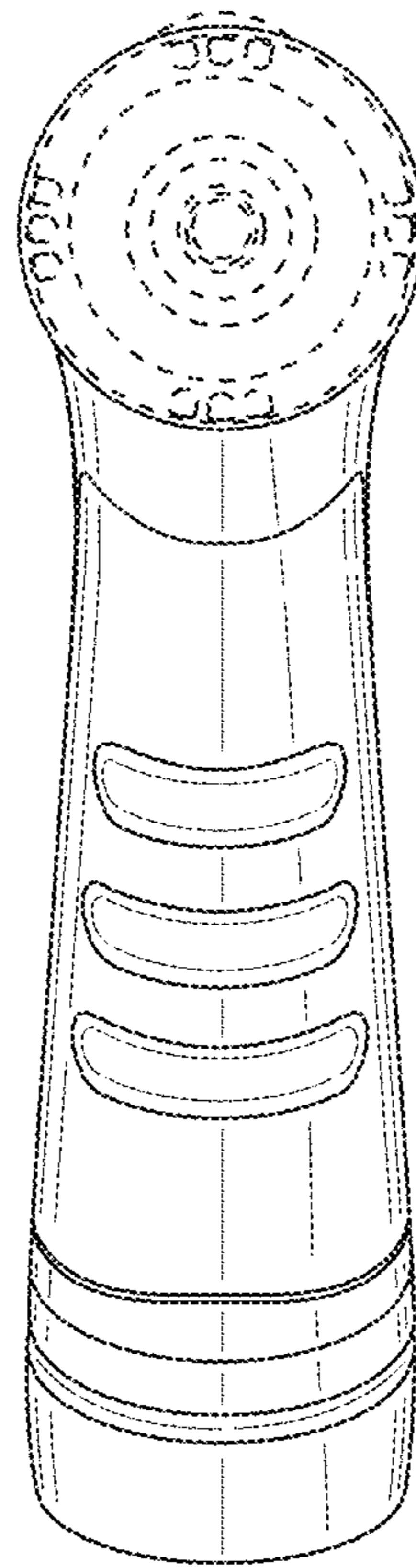


FIG.6

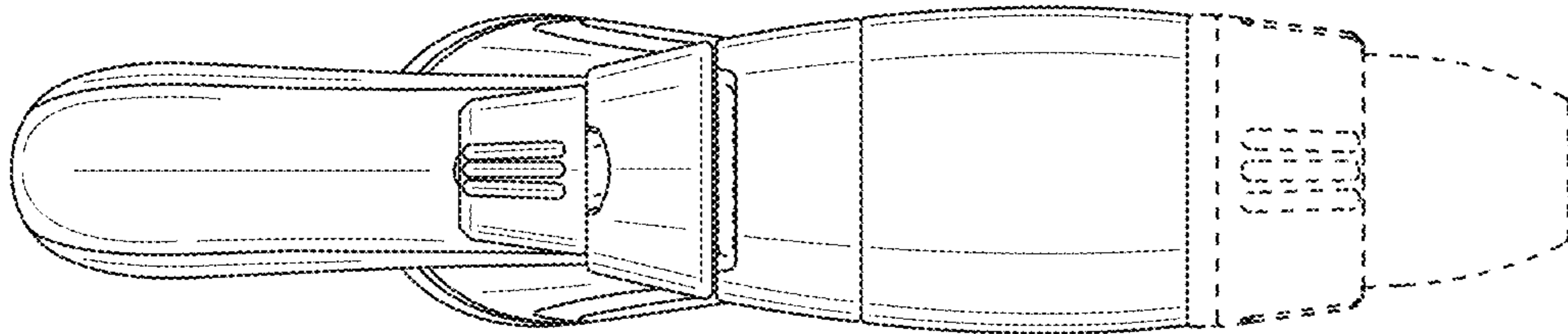


FIG. 7

