



US00D681776S

(12) **United States Design Patent**
Cutler et al.

(10) **Patent No.:** **US D681,776 S**

(45) **Date of Patent:** **** May 7, 2013**

(54) **SHOWERHEAD**

(75) Inventors: **Kyle Cutler**, Far Hills, NJ (US);
Qingshuang Li, Xiamen (CN); **Mengshi Guo**, Xiamen (CN); **Xiangke Li**, Xiamen (CN)

(73) Assignee: **Niagara Conservation Corp.**, Cedar Knolls, NJ (US)

(**) Term: **14 Years**

(21) Appl. No.: **29/420,799**

(22) Filed: **May 14, 2012**

(30) **Foreign Application Priority Data**

Jan. 29, 2012 (CN) 2012 3 0018598

(51) **LOC (9) Cl.** **23-01**

(52) **U.S. Cl.**
USPC **D23/223**

(58) **Field of Classification Search** D23/213,
D23/223, 226; 239/462, 282, 283
See application file for complete search history.

(56) **References Cited**

U.S. PATENT DOCUMENTS

D424,163 S * 5/2000 Haug et al. D23/223
D503,774 S * 4/2005 Zieger D23/223
D503,775 S * 4/2005 Zieger D23/223
D562,942 S * 2/2008 Pan D23/223

D591,396 S * 4/2009 Lobermeier D23/223
D610,230 S * 2/2010 Wu et al. D23/223
D610,651 S * 2/2010 Wu et al. D23/223
D667,928 S * 9/2012 Cutler et al. D23/223
D672,011 S * 12/2012 Andrew et al. D23/223

* cited by examiner

Primary Examiner — Robin V Webster

(74) *Attorney, Agent, or Firm* — Lerner, David, Littenberg, Krumholz & Mentlik, LLP

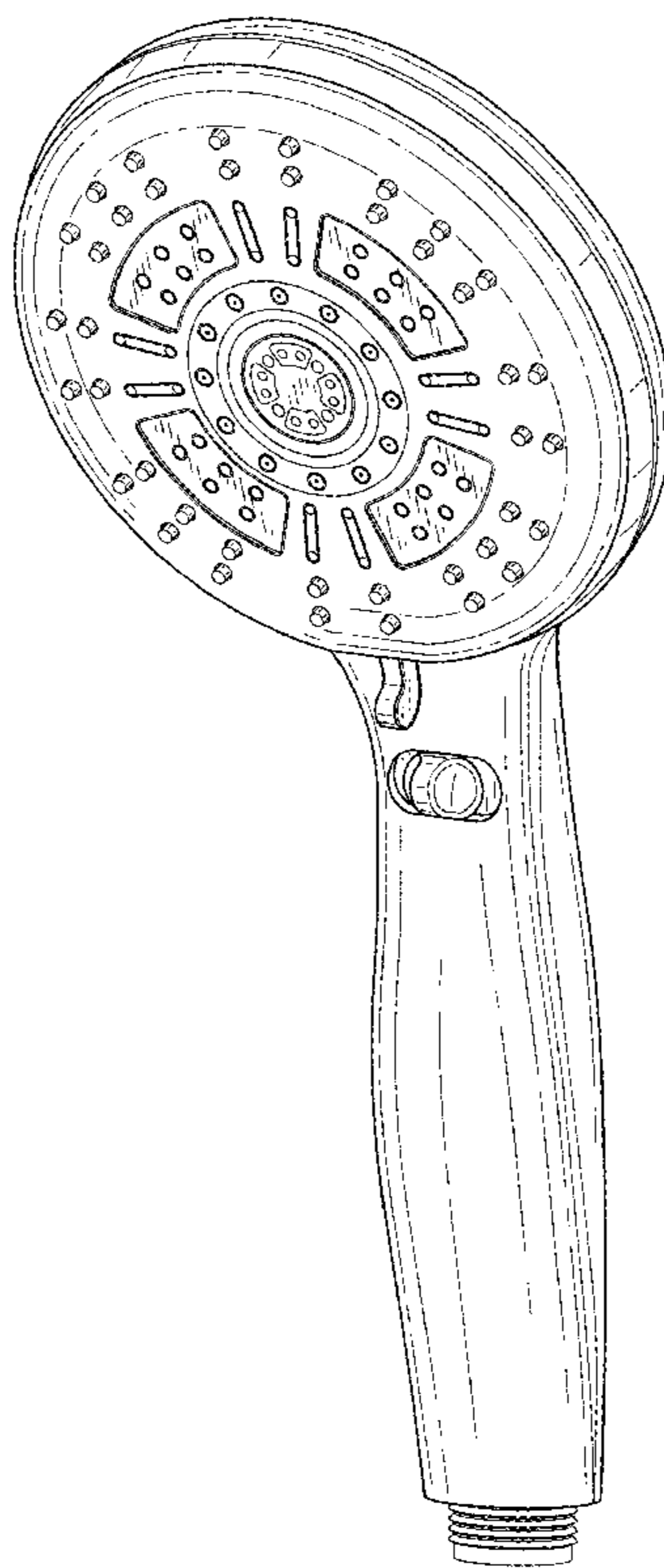
(57) **CLAIM**

We claim the ornamental design for a showerhead, as shown and described.

DESCRIPTION

FIG. 1 is a front perspective view of a showerhead in accordance with the present invention;
FIG. 2 is a front elevational view of the showerhead in accordance with the present invention;
FIG. 3 is a rear elevational view of the showerhead in accordance with the present invention;
FIG. 4 is a right side elevational view of the showerhead in accordance with the present invention, with the left side elevational view being the mirror image thereof;
FIG. 5 is a top elevational view of the showerhead in accordance with the present invention; and,
FIG. 6 is a bottom elevational view of the showerhead in accordance with the present invention.

1 Claim, 5 Drawing Sheets



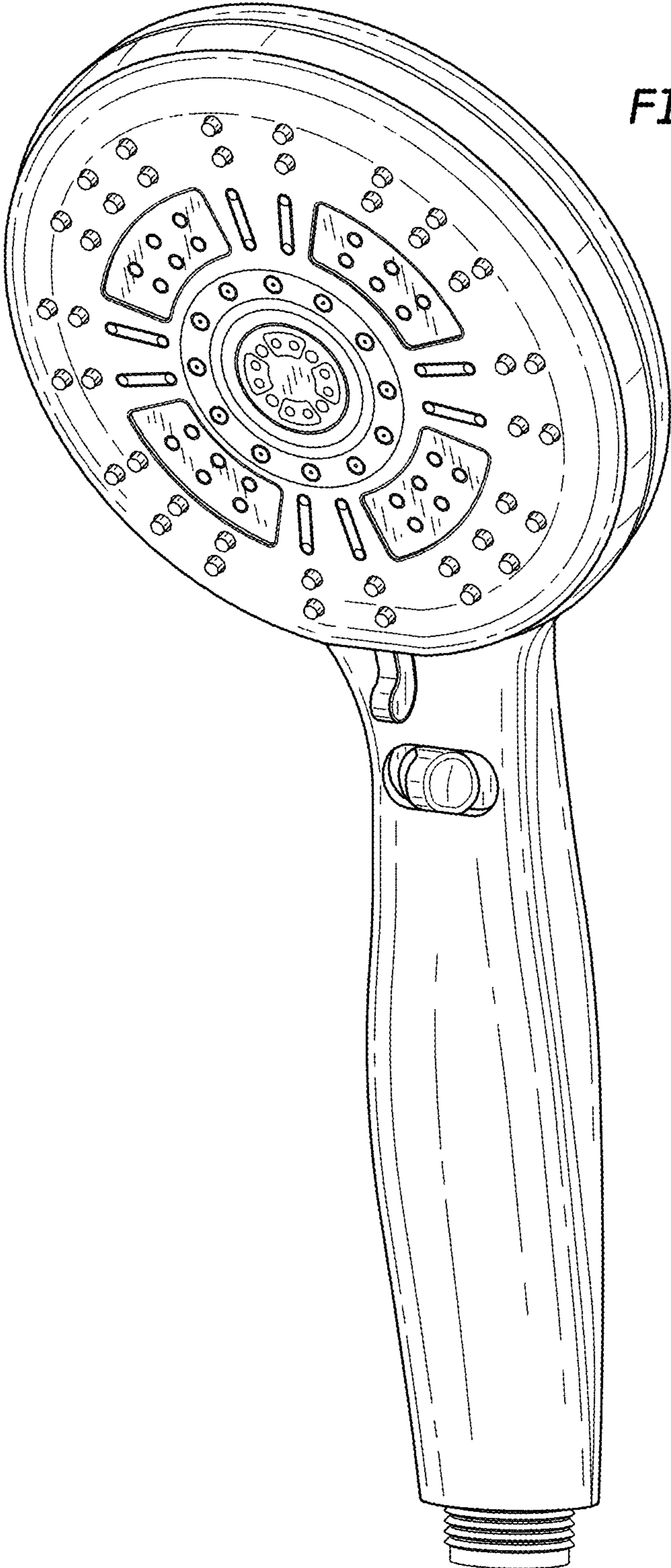


FIG. 1

FIG. 2

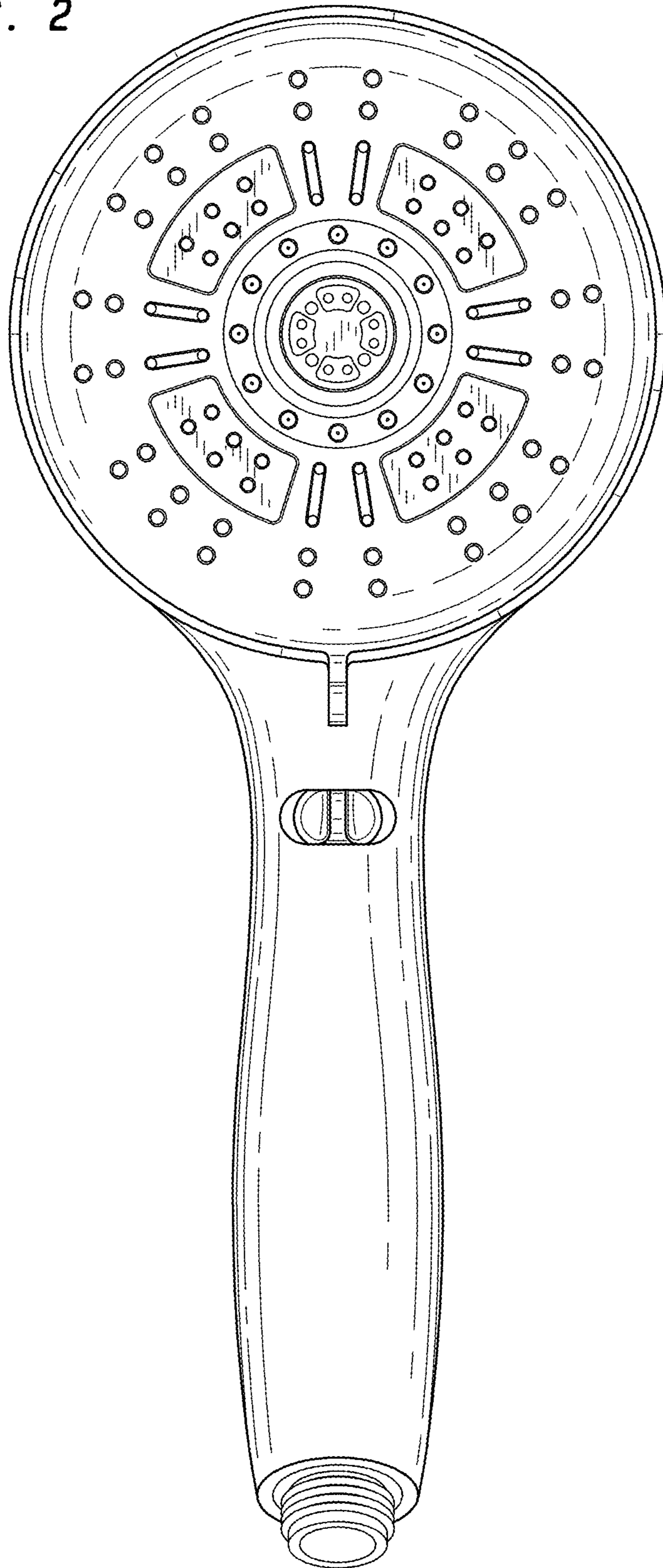


FIG. 3

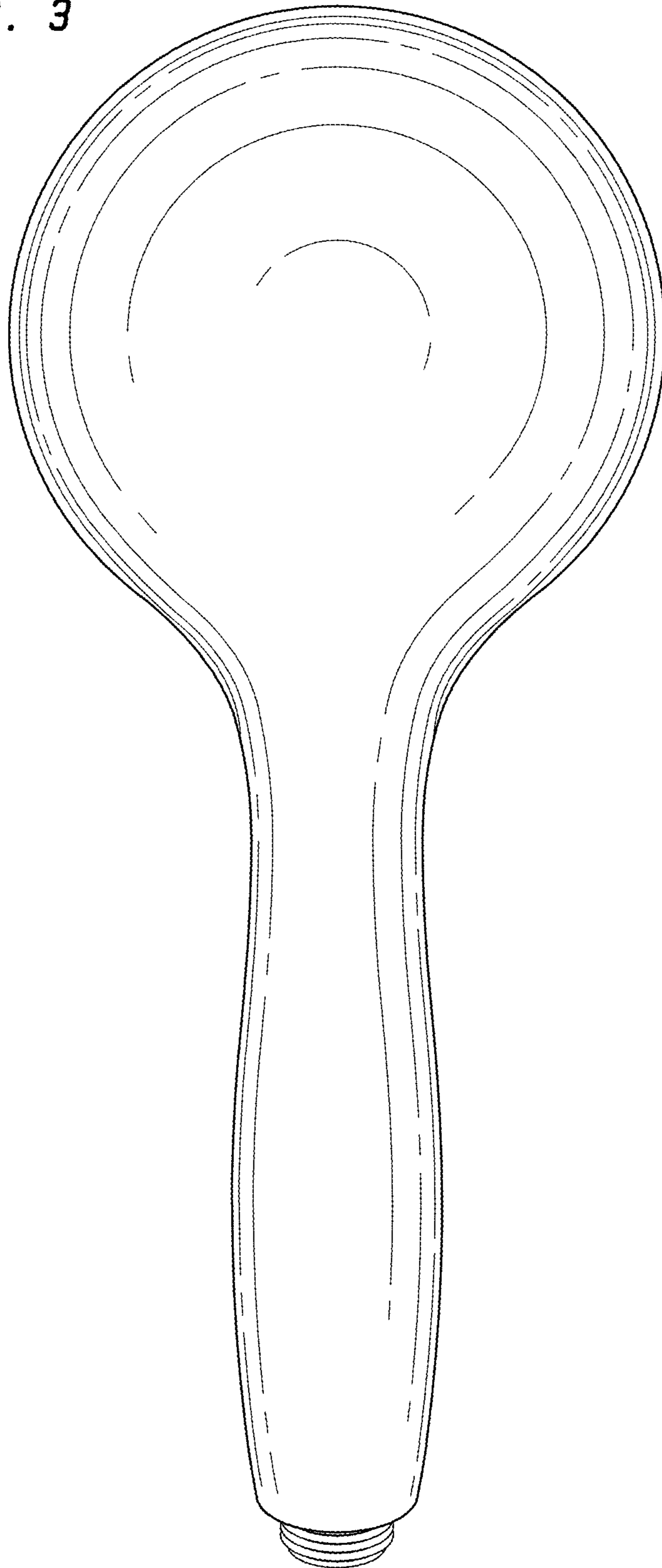


FIG. 4

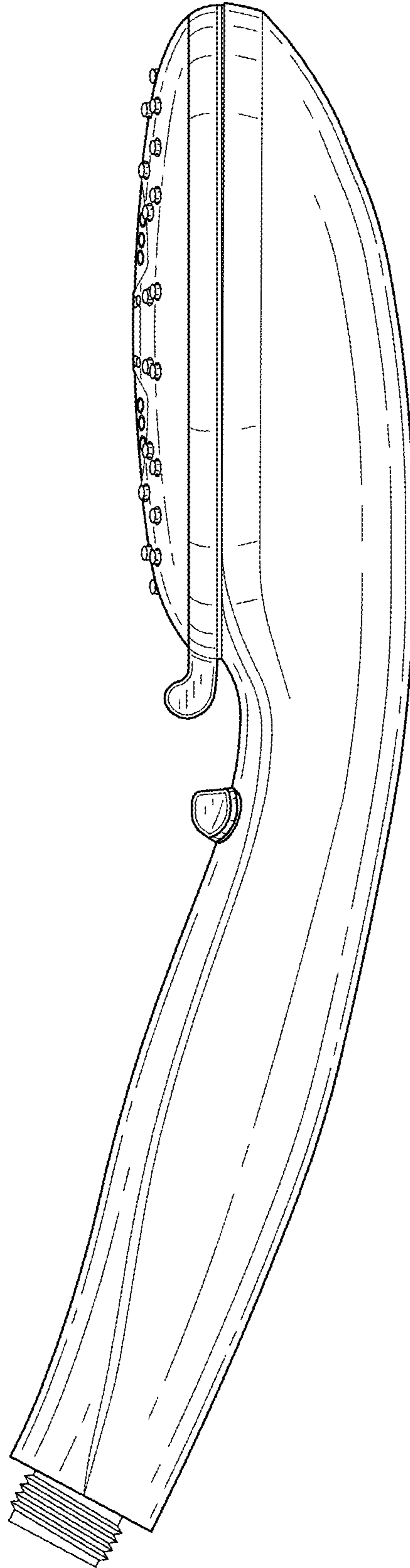


FIG. 5

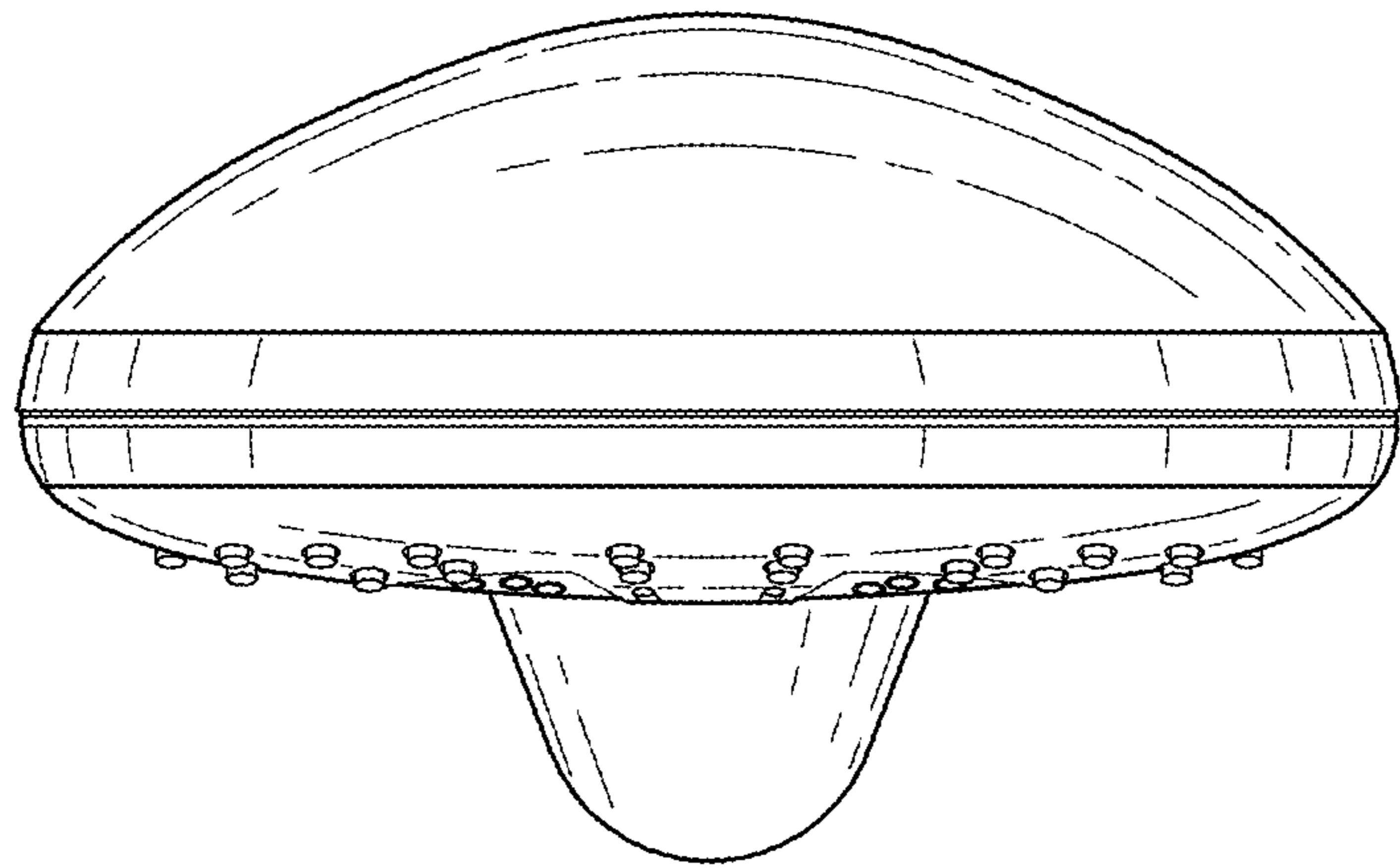


FIG. 6

