



US00D681774S

(12) **United States Design Patent**
Sugie

(10) **Patent No.:** **US D681,774 S**

(45) **Date of Patent:** **** May 7, 2013**

(54) **WATER PURIFIER**

(75) Inventor: **Sho Sugie**, Tokyo (JP)

(73) Assignee: **Panasonic Corporation**, Kadoma-shi (JP)

(**) Term: **14 Years**

(21) Appl. No.: **29/422,680**

(22) Filed: **May 23, 2012**

(30) **Foreign Application Priority Data**

Nov. 24, 2011 (JP) 2011-027095

(51) **LOC (9) Cl.** **23-01**

(52) **U.S. Cl.**
USPC **D23/209**

(58) **Field of Classification Search** D23/207-209;
210/449, 460, 461
See application file for complete search history.

(56) **References Cited**

U.S. PATENT DOCUMENTS

D328,942 S * 8/1992 Igami et al. D23/209
D453,952 S * 2/2002 Gaston et al. D23/209

D484,567 S * 12/2003 Gaston et al. D23/209
D533,622 S * 12/2006 Ross et al. D23/209
D541,372 S * 4/2007 Warren et al. D23/209
7,338,594 B2 * 3/2008 Lackey et al. 210/85
D574,925 S * 8/2008 Morita et al. D23/209
D575,376 S * 8/2008 Somerby D23/239
D586,880 S * 2/2009 Gaston et al. D23/209

* cited by examiner

Primary Examiner — Robin V Webster

(74) *Attorney, Agent, or Firm* — Marvin A. Motsenbocker

(57) **CLAIM**

The ornamental design for a water purifier, as shown and described.

DESCRIPTION

FIG. 1 is a front perspective view of a water purifier;
FIG. 2 is a front view thereof;
FIG. 3 is a right side view thereof;
FIG. 4 is a top plan view thereof;
FIG. 5 is a rear view thereof;
FIG. 6 is a left side view thereof;
FIG. 7 is a bottom plan view thereof; and,
FIG. 8 is an alternate embodiment thereof, showing a secondary handle.

1 Claim, 8 Drawing Sheets

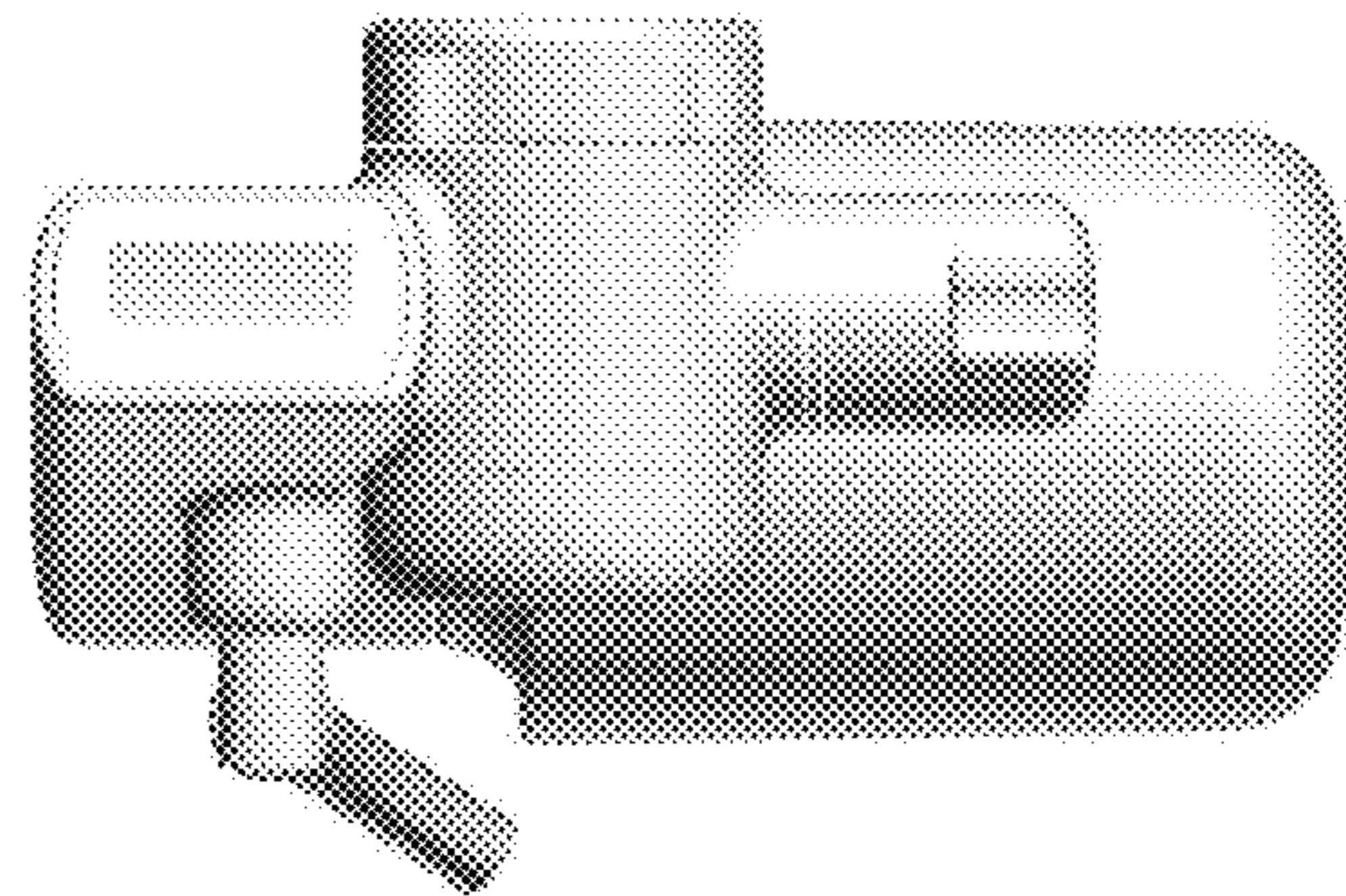
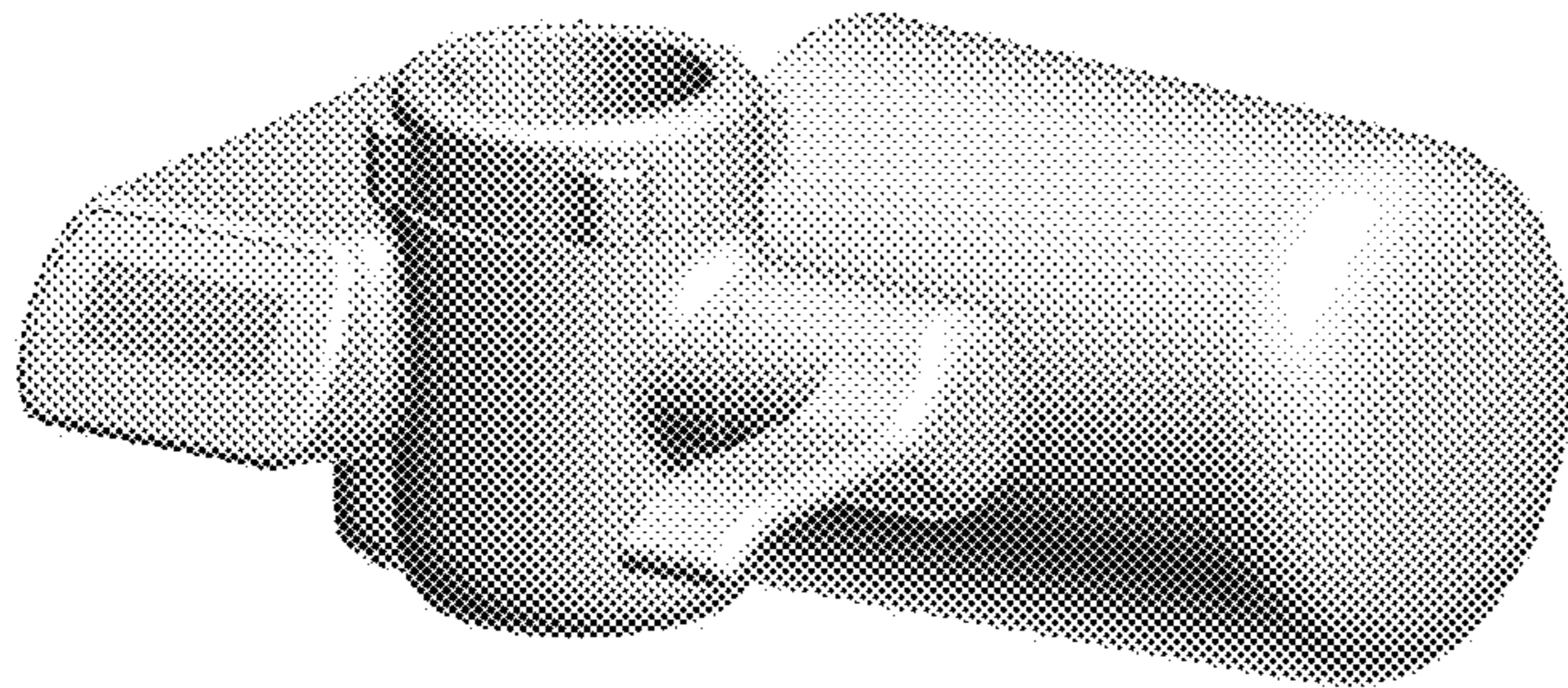


FIG.1

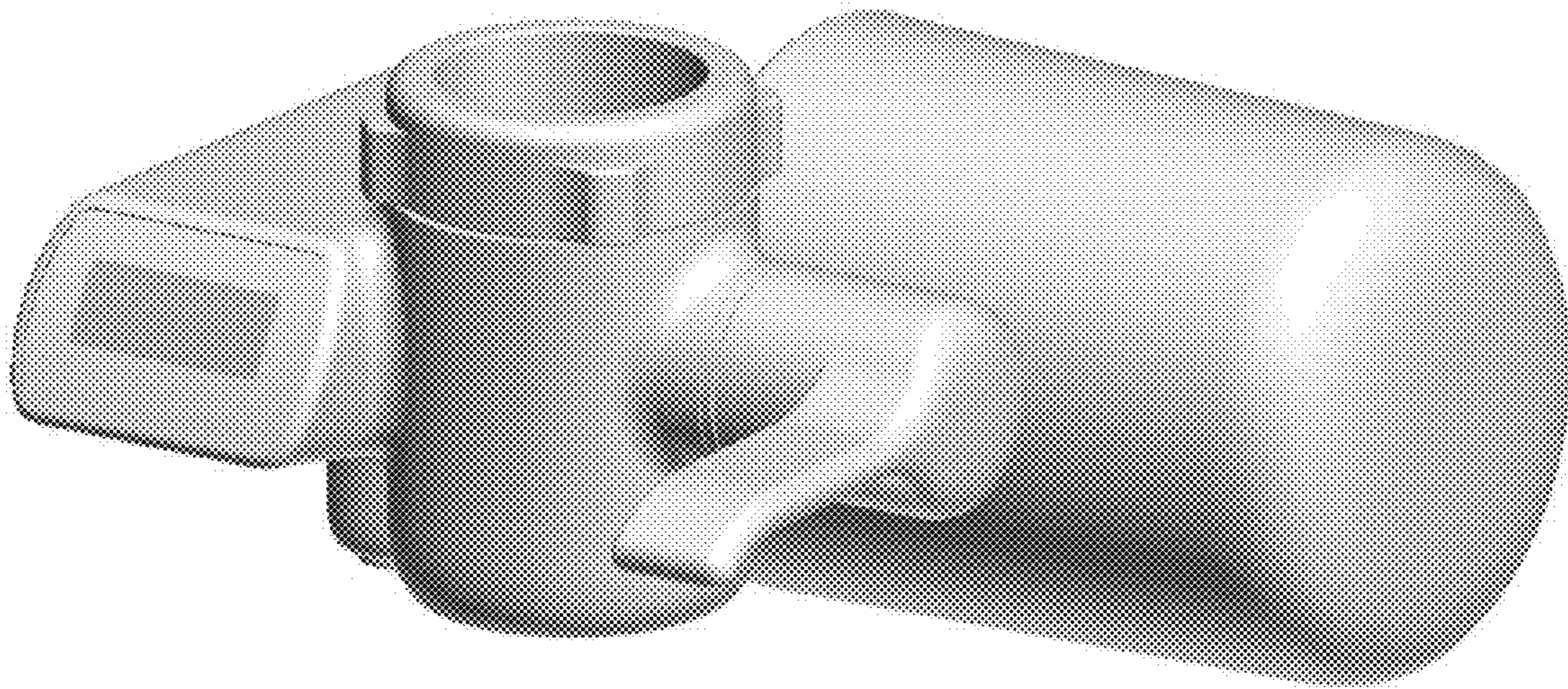


FIG.2

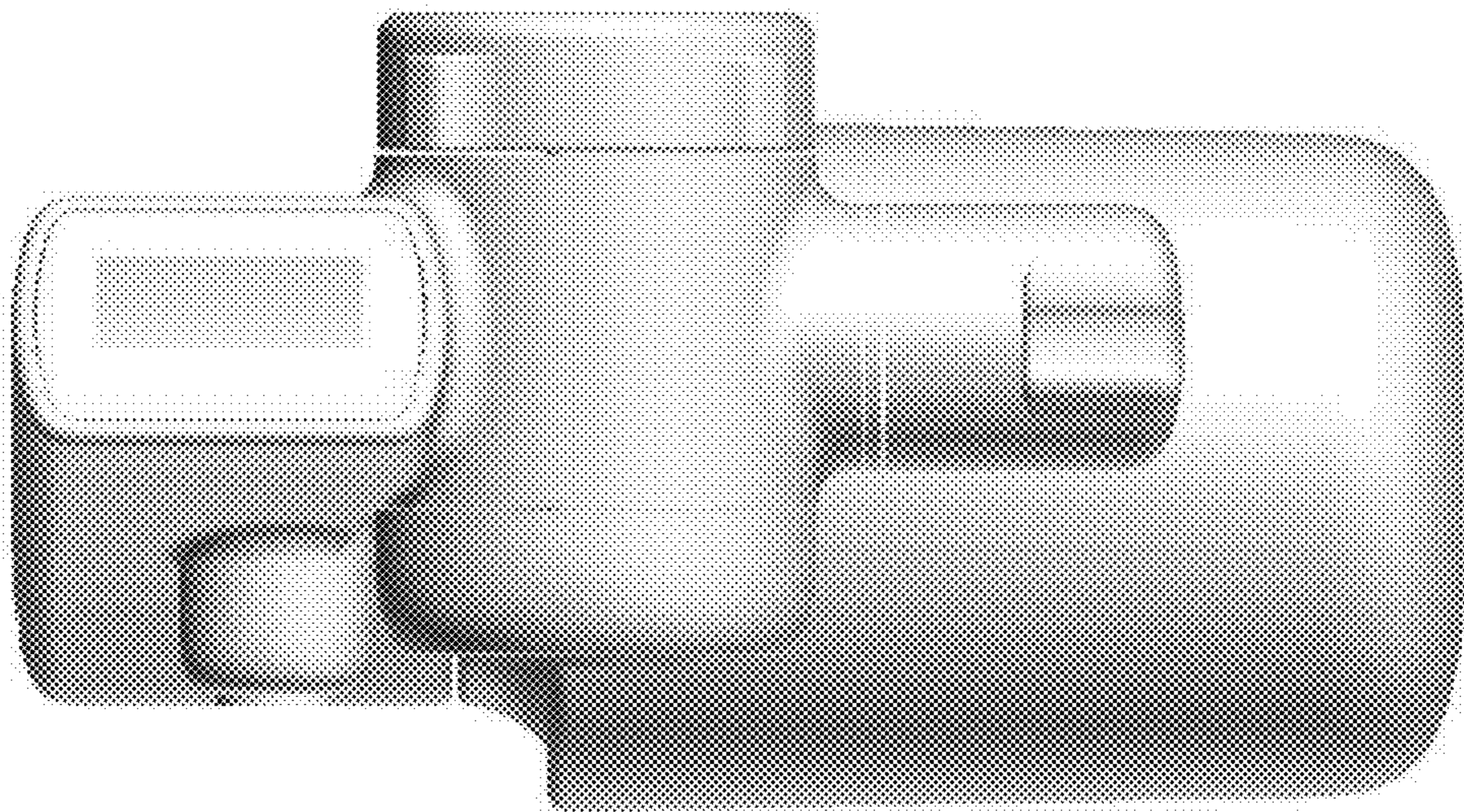


FIG.3

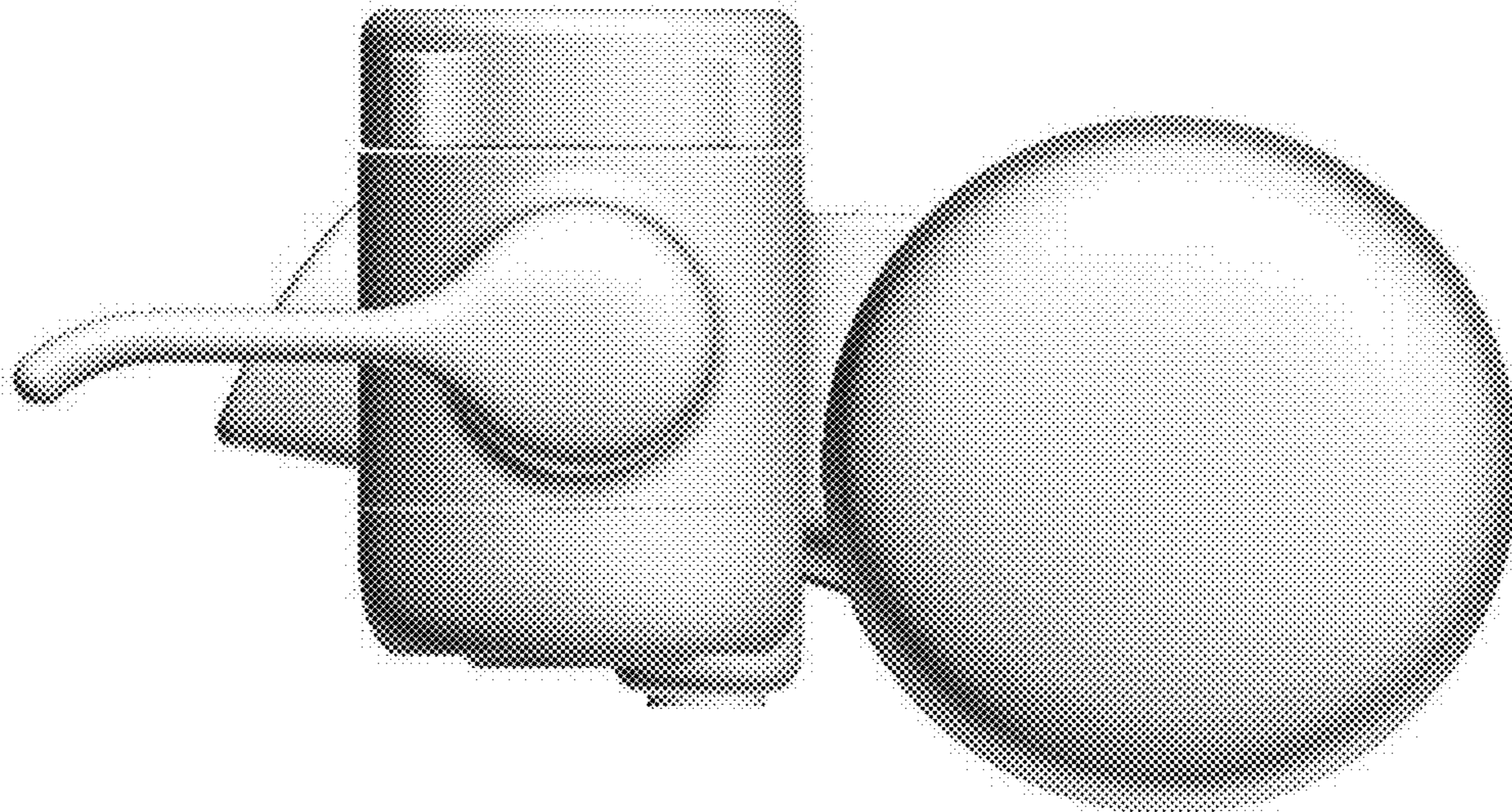


FIG.4

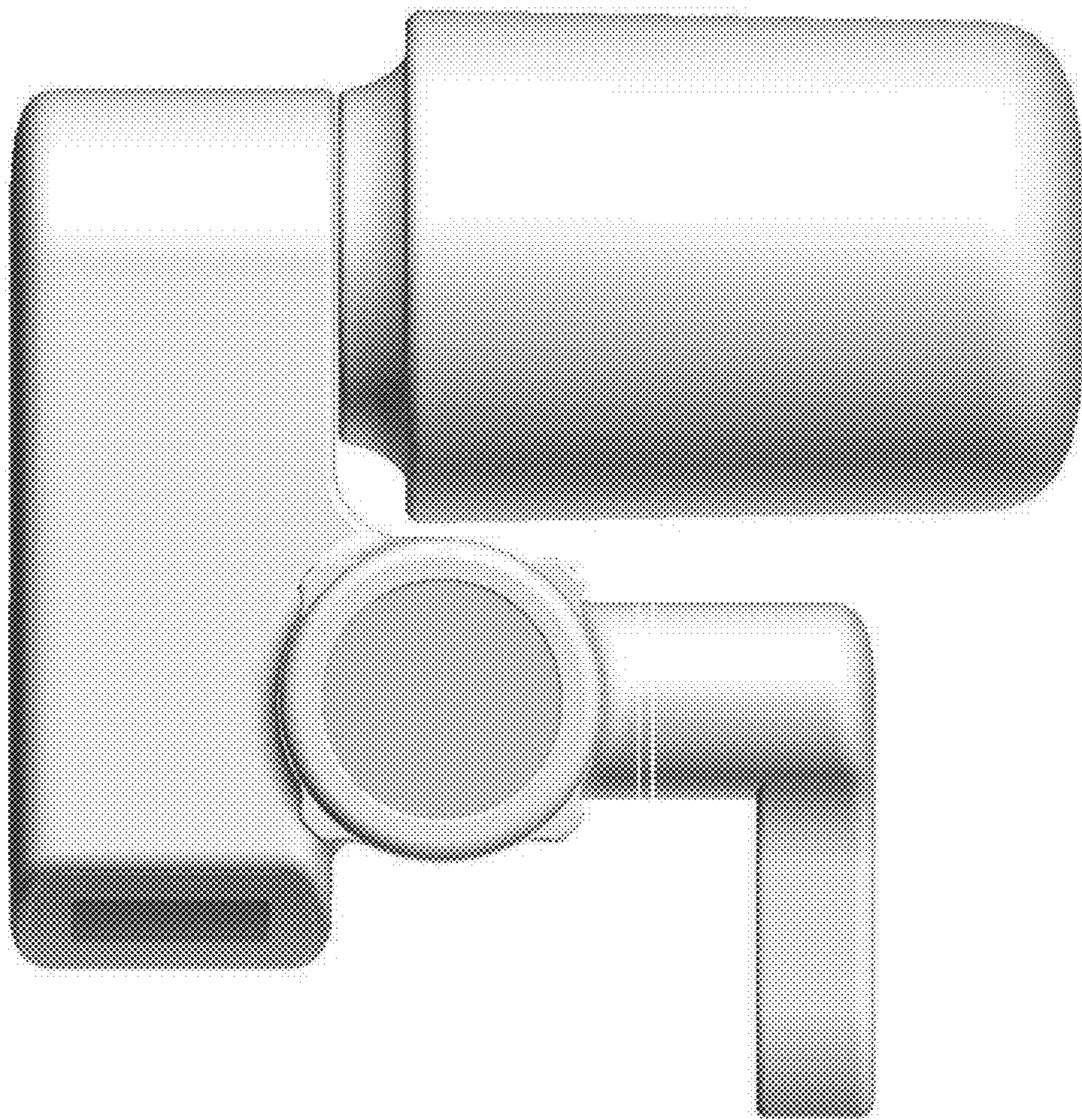


FIG.5

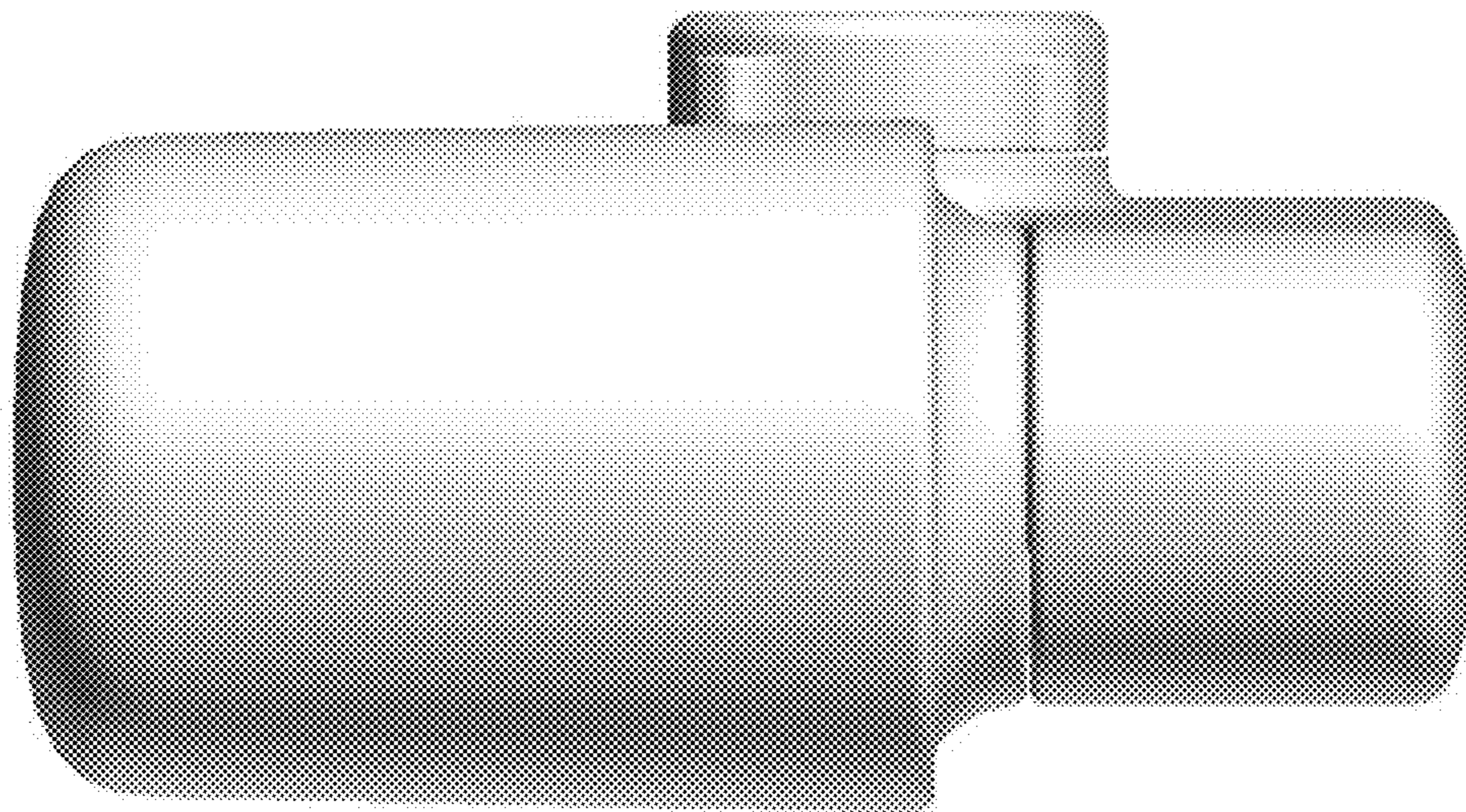


FIG.6

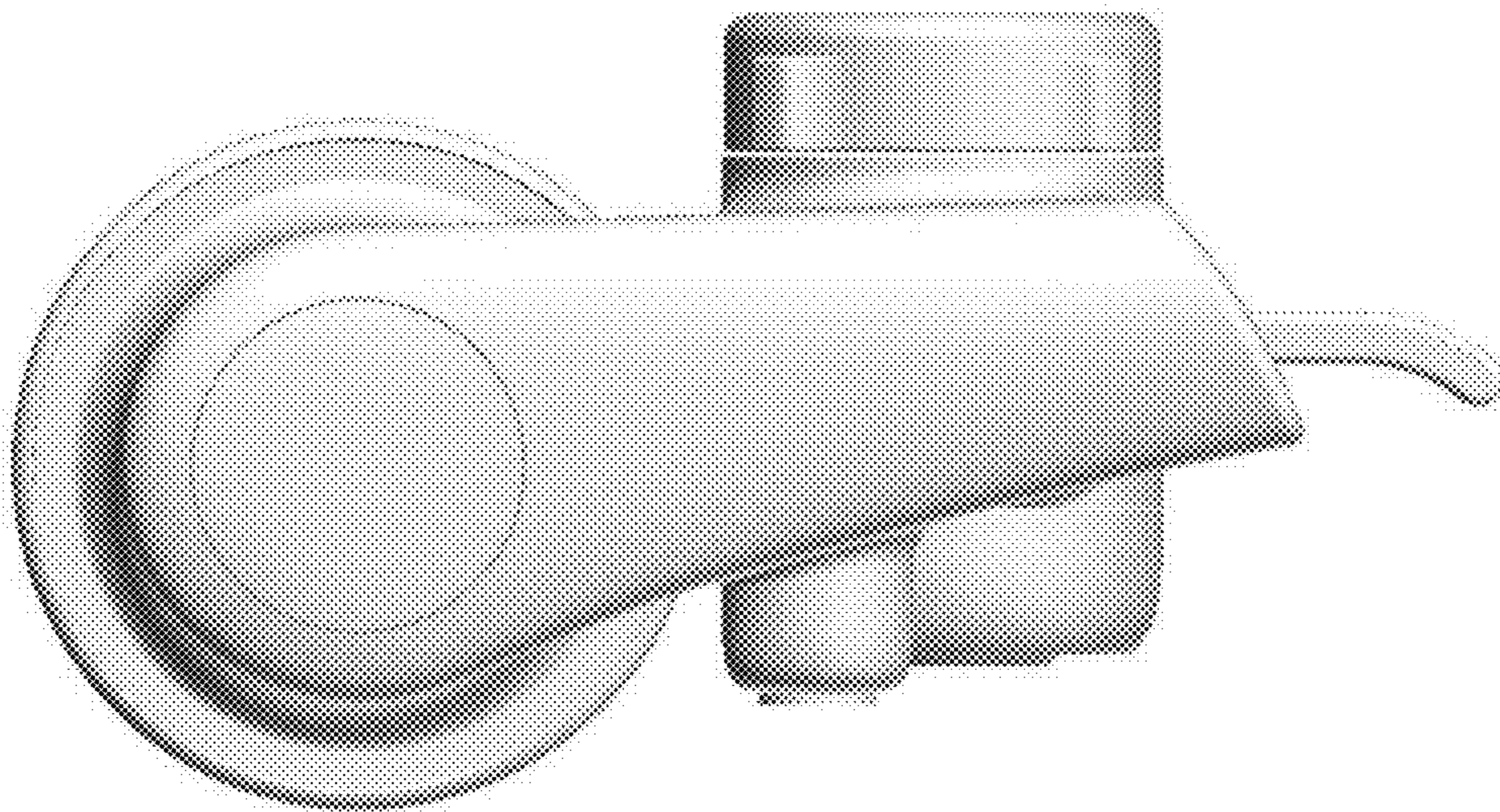


FIG.7

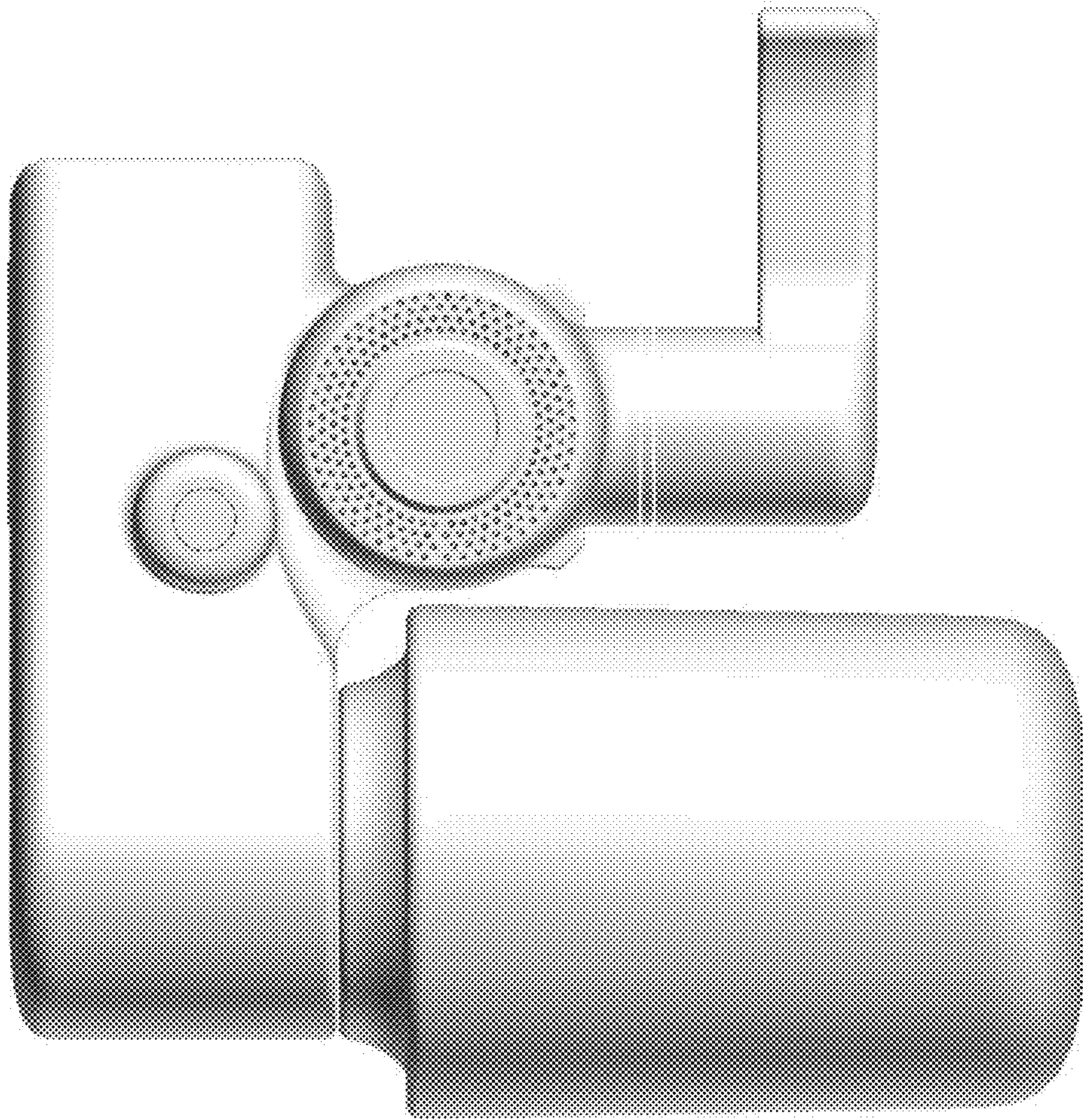
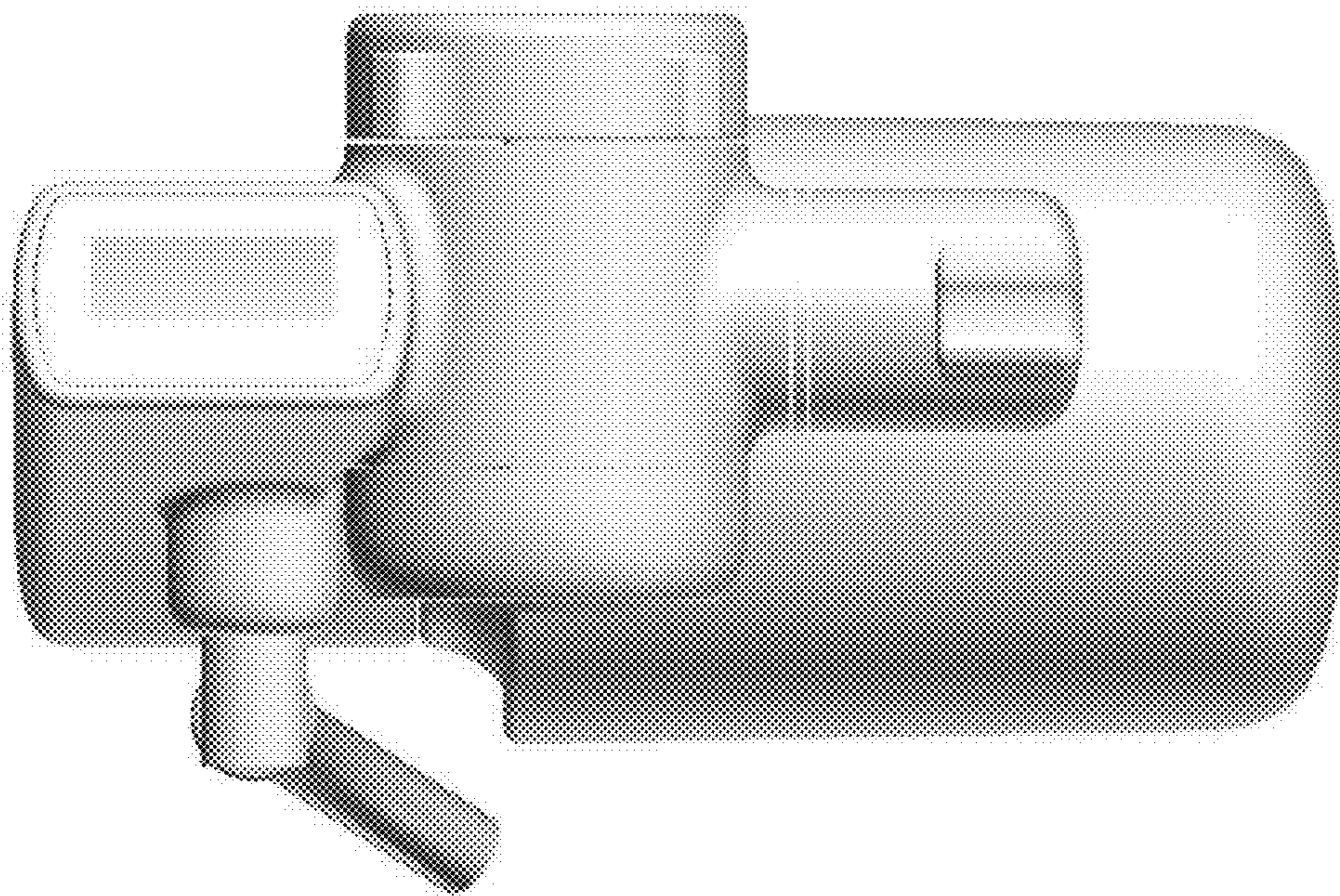


FIG.8



UNITED STATES PATENT AND TRADEMARK OFFICE
CERTIFICATE OF CORRECTION

PATENT NO. : D681,774 S
APPLICATION NO. : 29/422680
DATED : May 7, 2013
INVENTOR(S) : Sho Sugie

Page 1 of 1

It is certified that error appears in the above-identified patent and that said Letters Patent is hereby corrected as shown below:

On the Title Page, Item (75) Inventor should read: Sho Sugie, Kyoto (JP)

Signed and Sealed this
Second Day of July, 2013



Teresa Stanek Rea
Acting Director of the United States Patent and Trademark Office