



US00D681772S

(12) **United States Design Patent**
Obrecht

(10) **Patent No.:** **US D681,772 S**

(45) **Date of Patent:** **** May 7, 2013**

(54) **FUEL FILTER**

(75) Inventor: **Gregory T. Obrecht**, Erie, PA (US)

(73) Assignee: **General Electric Company**,
Schenectady, NY (US)

(**) Term: **14 Years**

(21) Appl. No.: **29/422,168**

(22) Filed: **May 17, 2012**

(51) **LOC (9) Cl.** **23-01**

(52) **U.S. Cl.**
USPC **D23/209**

(58) **Field of Classification Search** D23/207,
D23/209; 210/497.01, 498, 493.5, 282, 493.2
See application file for complete search history.

(56) **References Cited**

U.S. PATENT DOCUMENTS

5,580,456	A *	12/1996	Bowlsbey	210/493.2
D472,604	S *	4/2003	Fritze	D23/209
D494,654	S *	8/2004	Macaulay et al.	D23/209
D541,371	S *	4/2007	McKay	D23/209
7,458,468	B2 *	12/2008	Desmarais	210/437
D599,880	S *	9/2009	Rampen et al.	D23/209

8,066,790	B2 *	11/2011	Hutchinson et al.	55/498
D656,580	S *	3/2012	Sherman et al.	D23/209
D668,740	S *	10/2012	Kulikov et al.	D23/209

* cited by examiner

Primary Examiner — Robin V Webster

(74) *Attorney, Agent, or Firm* — GE Global Patent
Operation; John A. Kramer

(57) **CLAIM**

The ornamental design for a fuel filter, as shown and described.

DESCRIPTION

FIG. 1 is a first perspective view of an ornamental design for a fuel filter, according to the invention.

FIG. 2 is a left view of the fuel filter of FIG. 1.

FIG. 3 is a right view of the fuel filter of FIG. 1.

FIG. 4 is a bottom view of the fuel filter of FIG. 1.

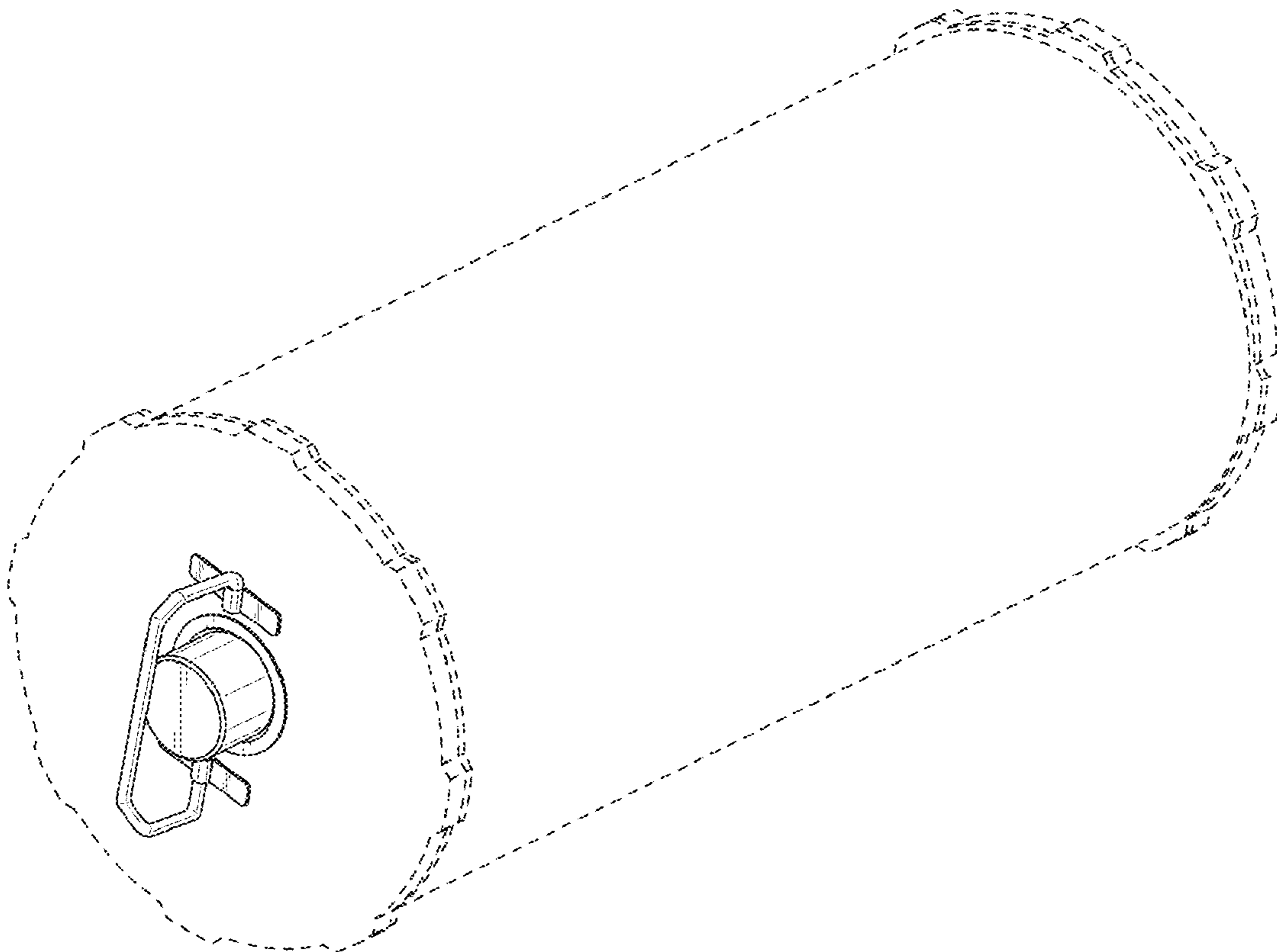
FIG. 5 is a top view of the fuel filter of FIG. 1.

FIG. 6 is a front view of the fuel filter of FIG. 1; and,

FIG. 7 is a rear view of the fuel filter of FIG. 1.

The broken line showing of a filter is included for the purpose of illustrating and forms no part of the claimed design.

1 Claim, 6 Drawing Sheets



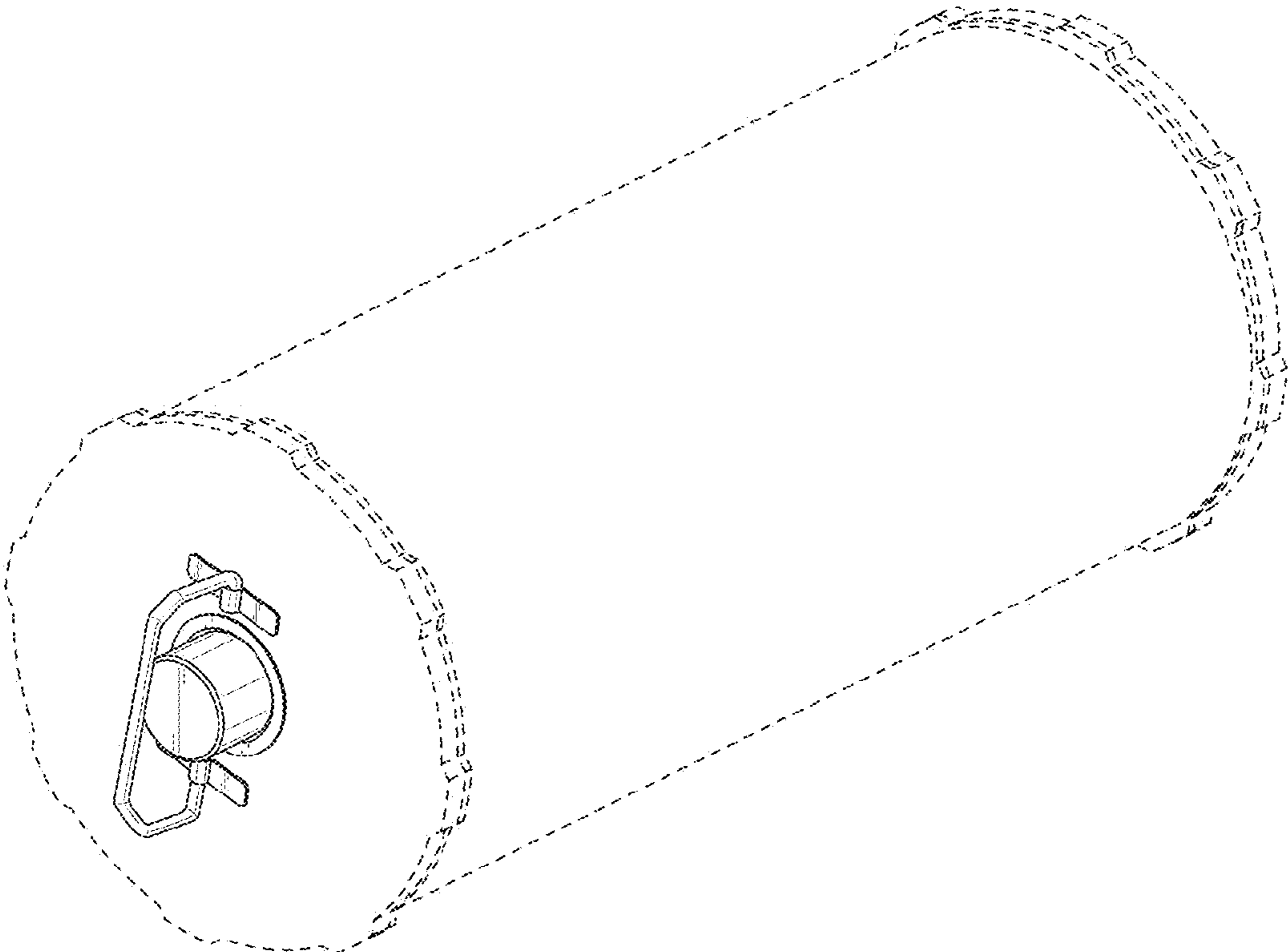


FIG. 1

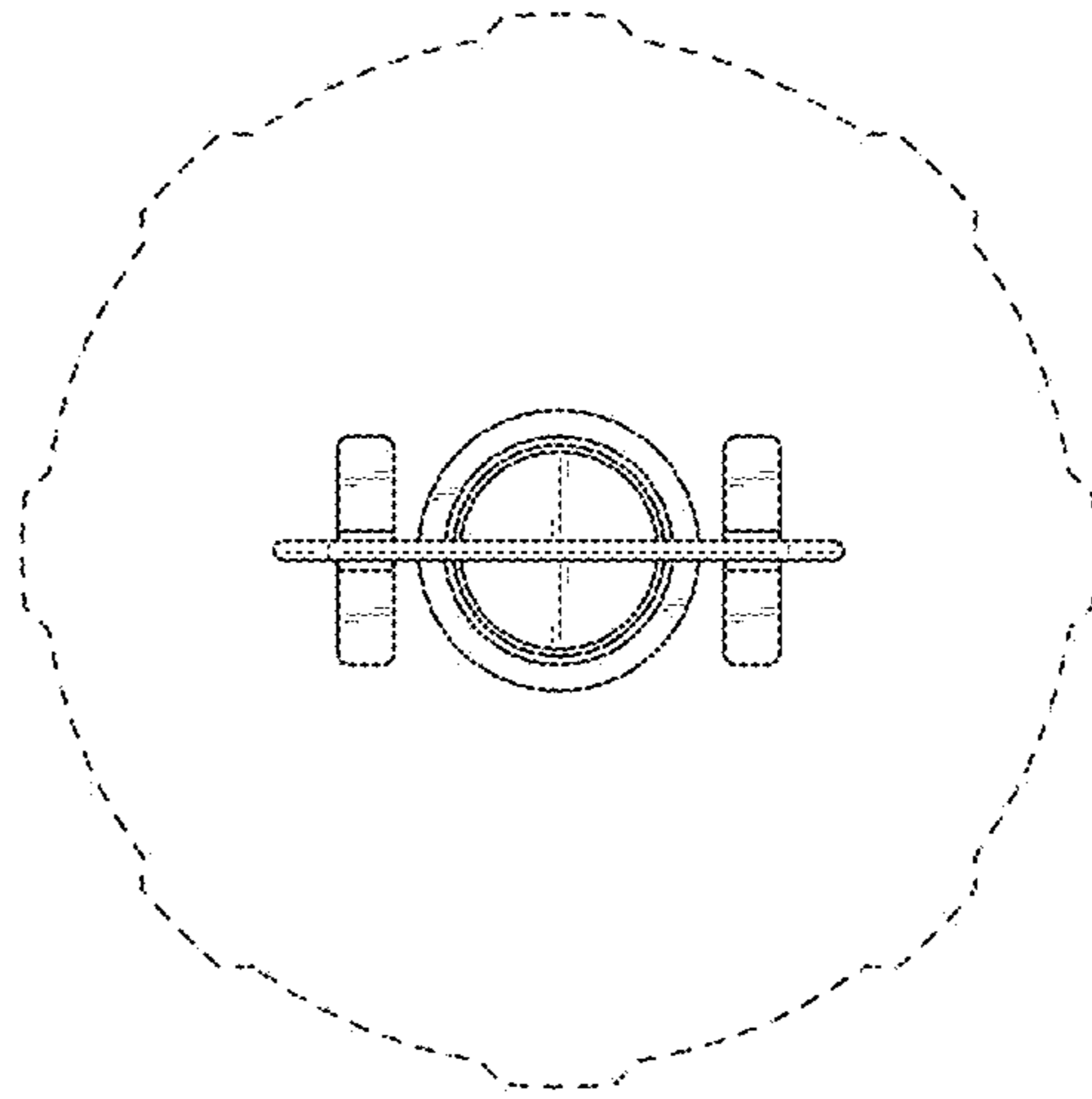


FIG. 2

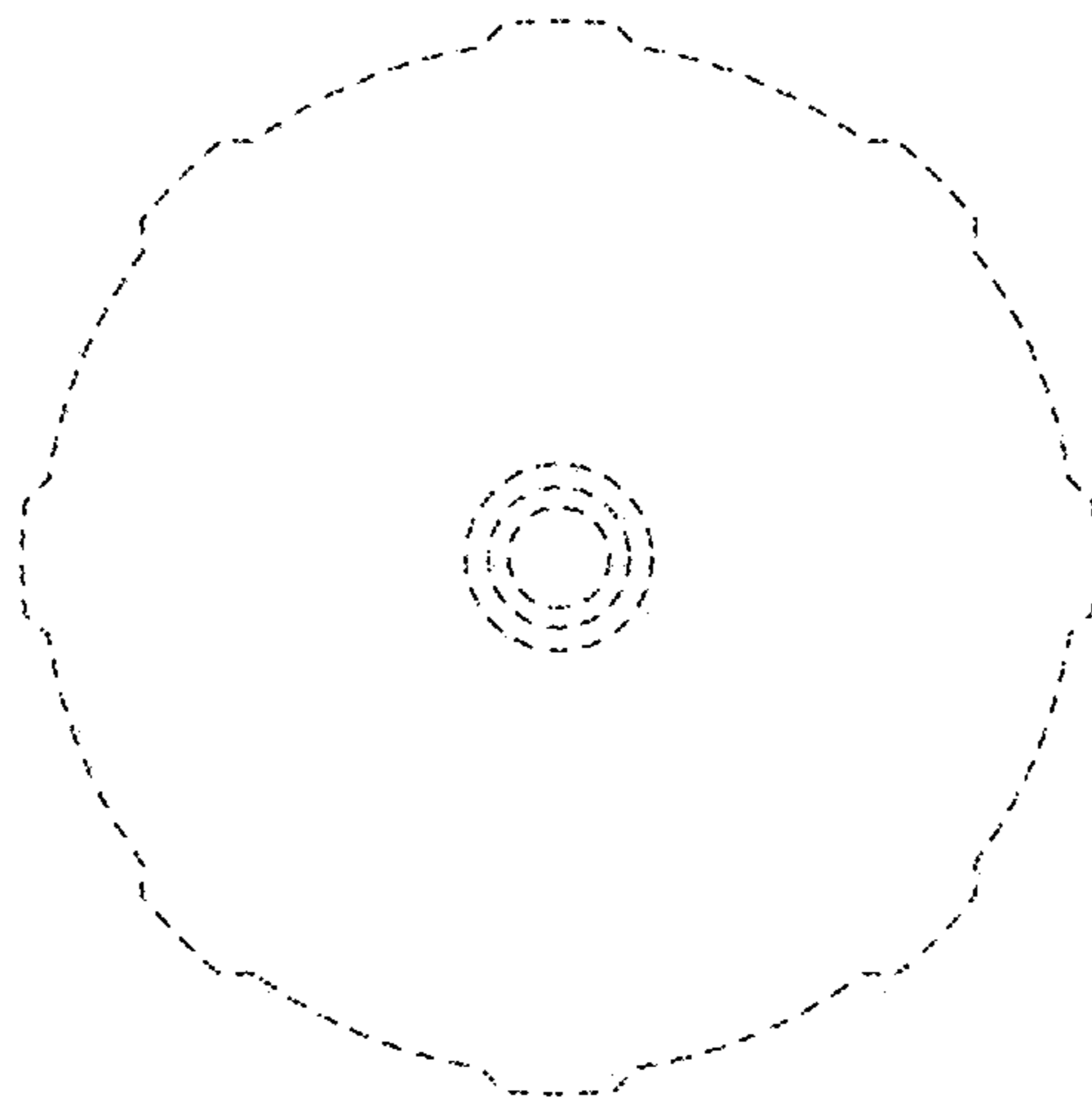


FIG. 3

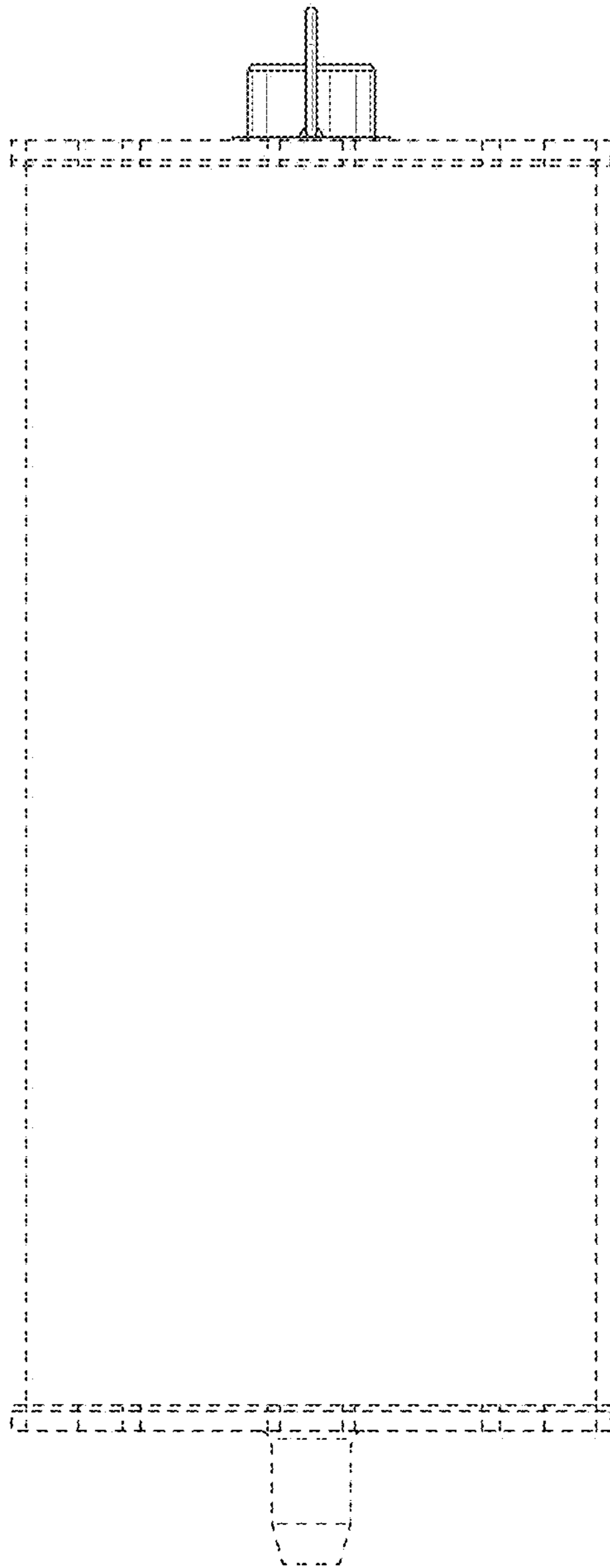


FIG. 4

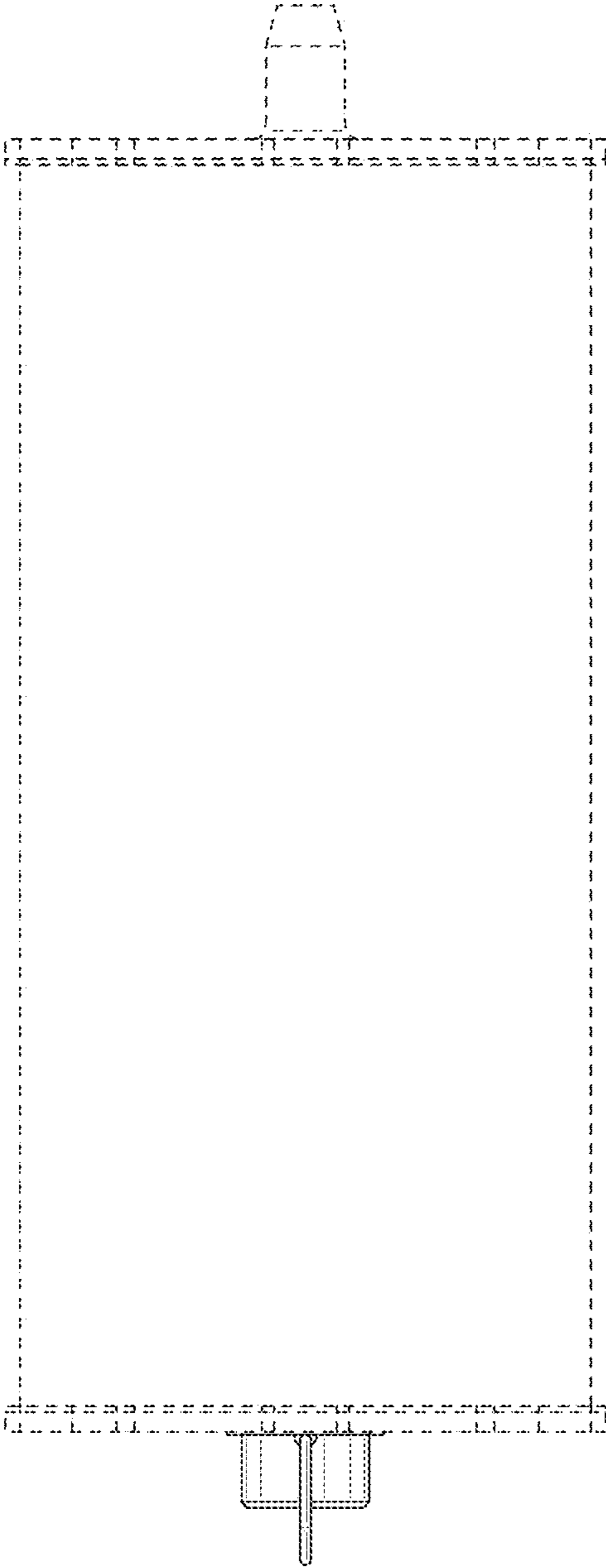


FIG. 5

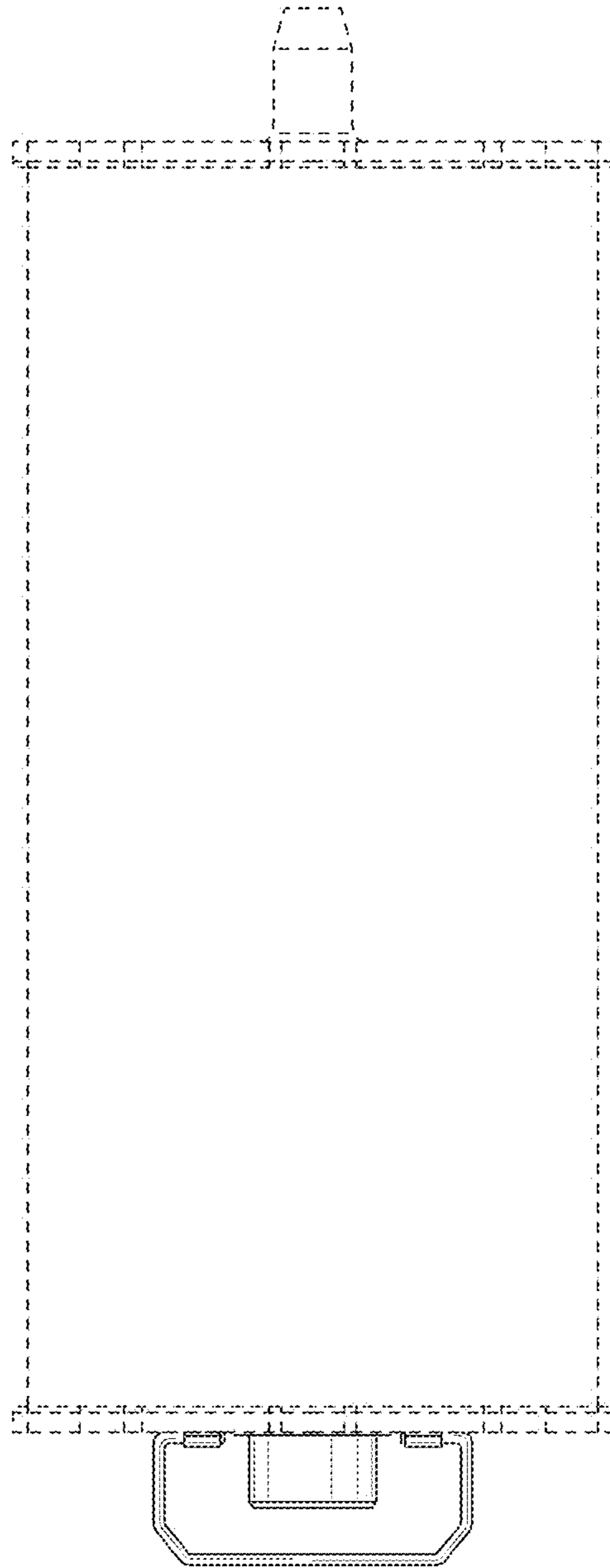


FIG. 6

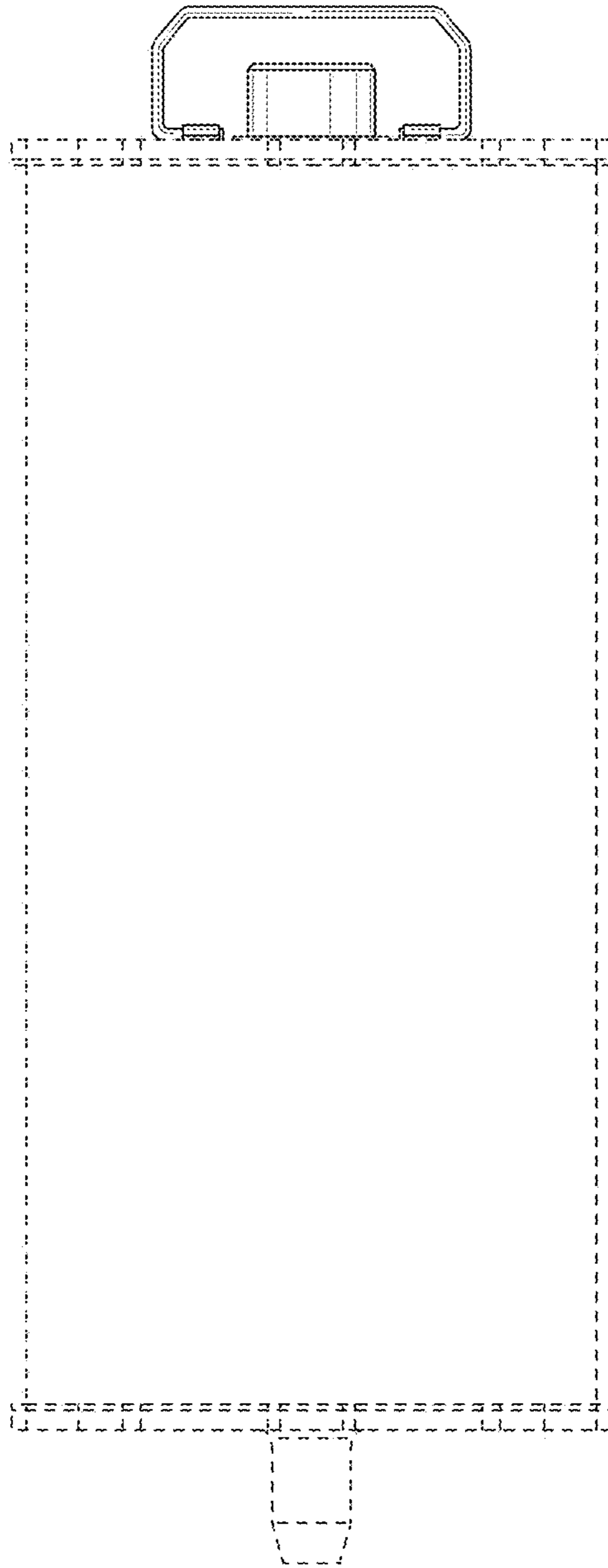


FIG. 7