



US00D681771S

(12) **United States Design Patent**
Kaufmann

(10) **Patent No.:** **US D681,771 S**

(45) **Date of Patent:** **** May 7, 2013**

(54) **MOLLUSK TRAP**

(75) Inventor: **Charles Thomas Kaufmann**, West Bend, WI (US)

(73) Assignee: **Shoreline Industries, LLC**, West Bend, WI (US)

(**) Term: **14 Years**

(21) Appl. No.: **29/428,711**

(22) Filed: **Aug. 2, 2012**

(51) **LOC (9) Cl.** **22-06**

(52) **U.S. Cl.**
USPC **D22/121**

(58) **Field of Classification Search** D22/119–124;
119/200, 234, 452, 221, 238; 405/21, 25,
405/30; 43/107

See application file for complete search history.

5,967,084 A *	10/1999	Klemantaski	119/234
6,089,191 A	7/2000	Calinski et al.		
6,186,702 B1	2/2001	Bartkowski		
6,712,023 B2	3/2004	Targotay et al.		
7,587,991 B2	9/2009	Buck et al.		
7,870,836 B2	1/2011	Froyland		
RE42,259 E *	3/2011	Campbell et al.	405/30
8,033,250 B2	10/2011	Calinski		
2006/0112895 A1	6/2006	Olivier et al.		

* cited by examiner

Primary Examiner — Catheri Oliver-Garcia

(74) *Attorney, Agent, or Firm* — Andrus, Scales, Starke & Sawall, LLP

(57) **CLAIM**

The ornamental design for a mollusk trap, as shown and described.

DESCRIPTION

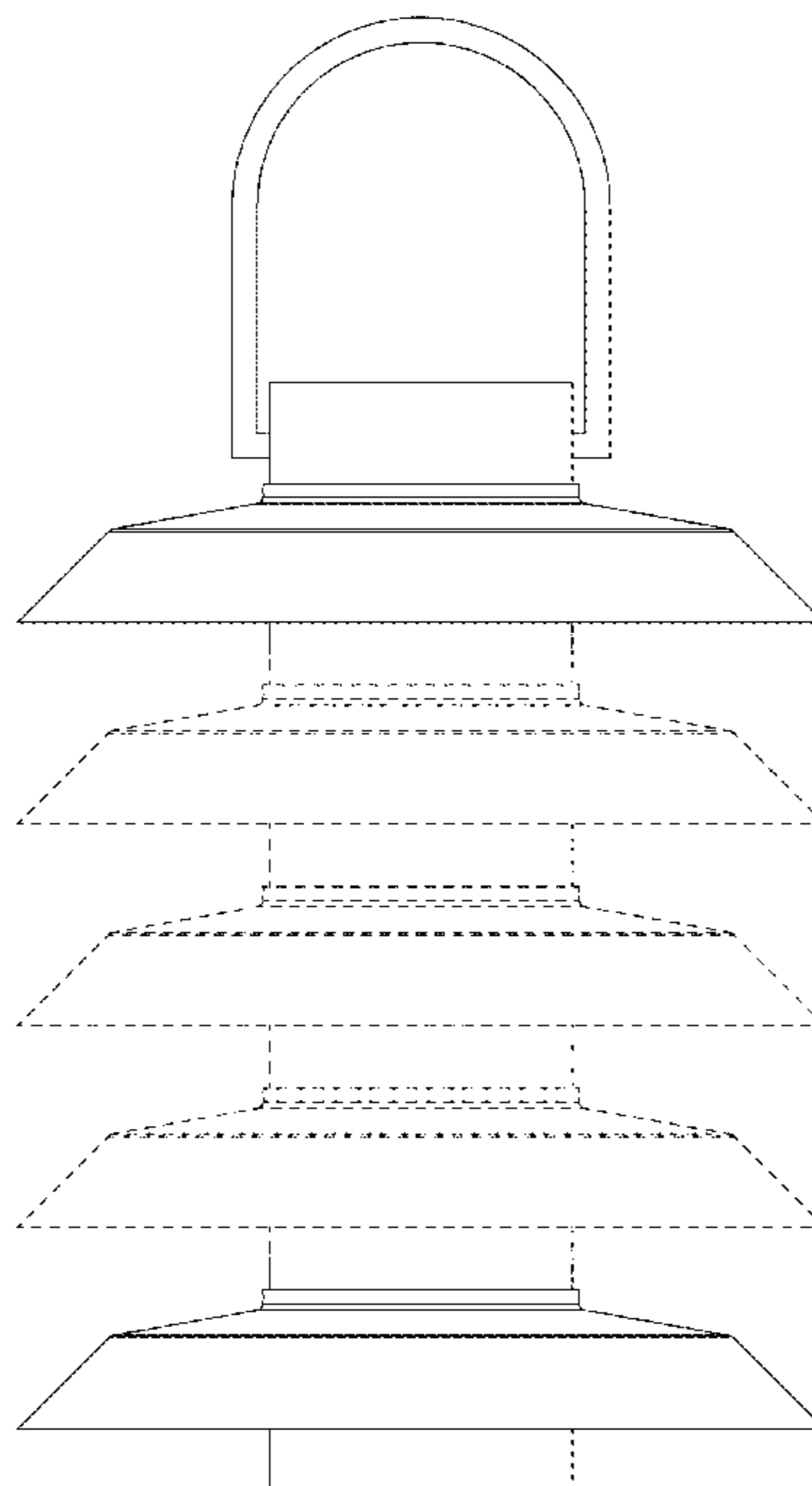
FIG. 1 is a front view of an embodiment of a mollusk trap; FIG. 2 is a side view of an embodiment of a mollusk trap; FIG. 3 is a top view of an embodiment of a mollusk trap; FIG. 4 is a bottom view of an embodiment of a mollusk trap; and, FIG. 5 is a perspective view of an embodiment of a mollusk trap. The broken line portions of the drawings are for the purpose of illustrating unclaimed portions and form no part of the claimed design.

1 Claim, 5 Drawing Sheets

(56) **References Cited**

U.S. PATENT DOCUMENTS

1,511,682 A *	10/1924	Skelly	43/107
3,316,881 A	5/1967	Fischer		
3,741,159 A	6/1973	Halaunbrenner		
4,036,176 A	7/1977	McCarty et al.		
4,449,479 A	5/1984	Saucier		
4,997,311 A	3/1991	Van Doren		
5,109,796 A	5/1992	Monus		
5,193,482 A	3/1993	McLaughlin		
5,376,282 A	12/1994	Chang		
5,389,266 A	2/1995	Clum et al.		
5,476,595 A	12/1995	Baddour et al.		
5,860,392 A	1/1999	Jahren		



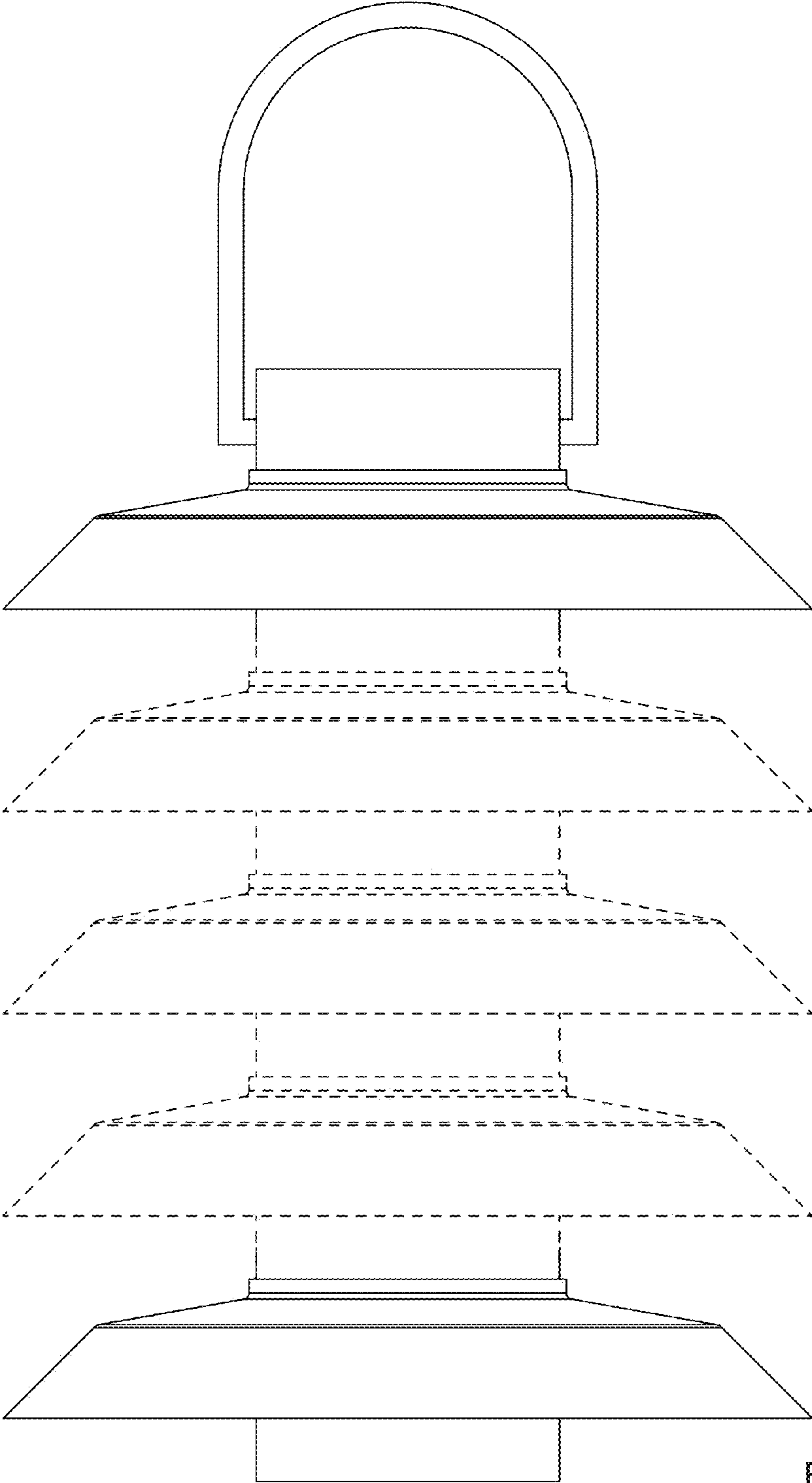


Fig. 1

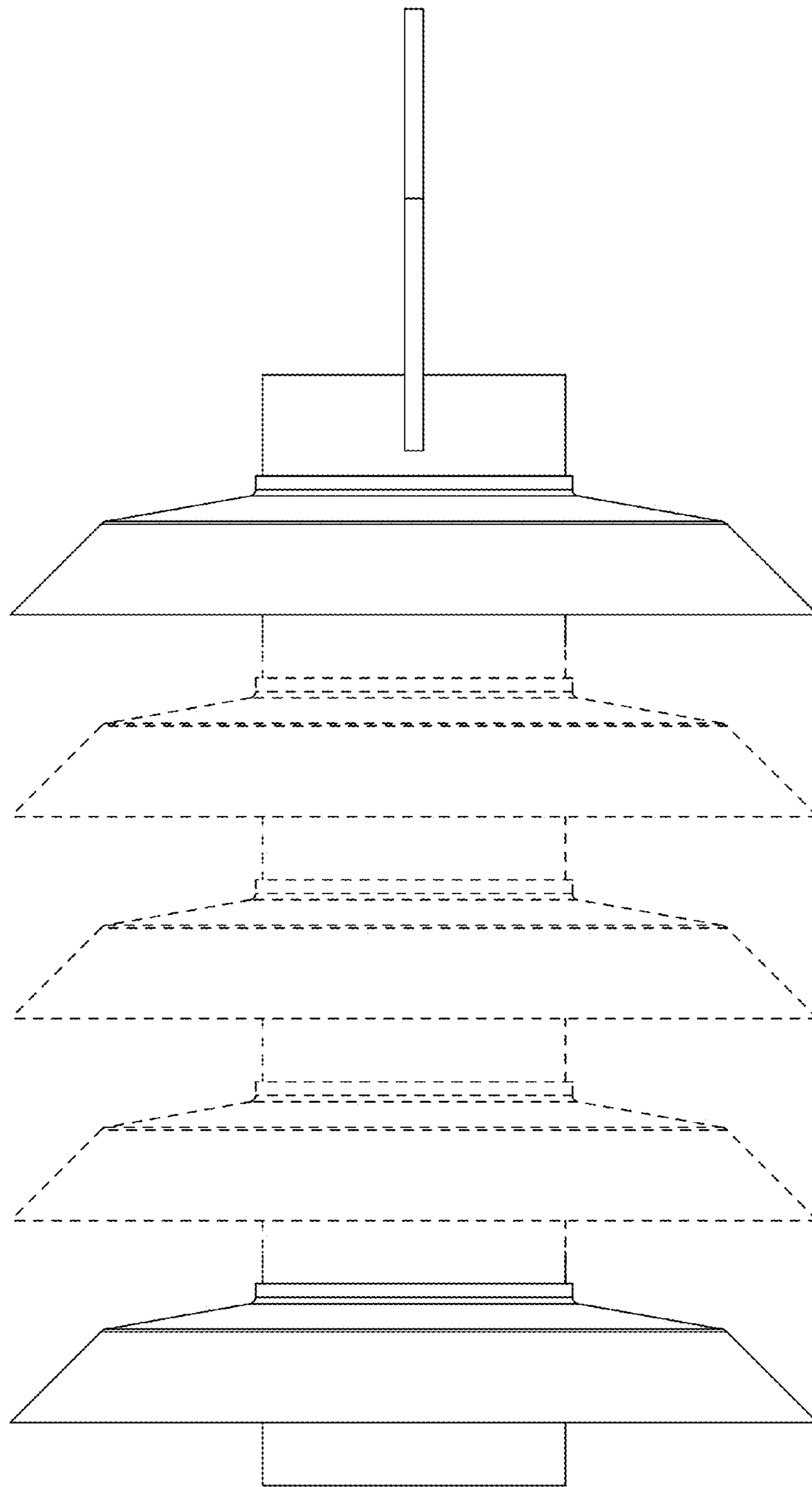


Fig. 2

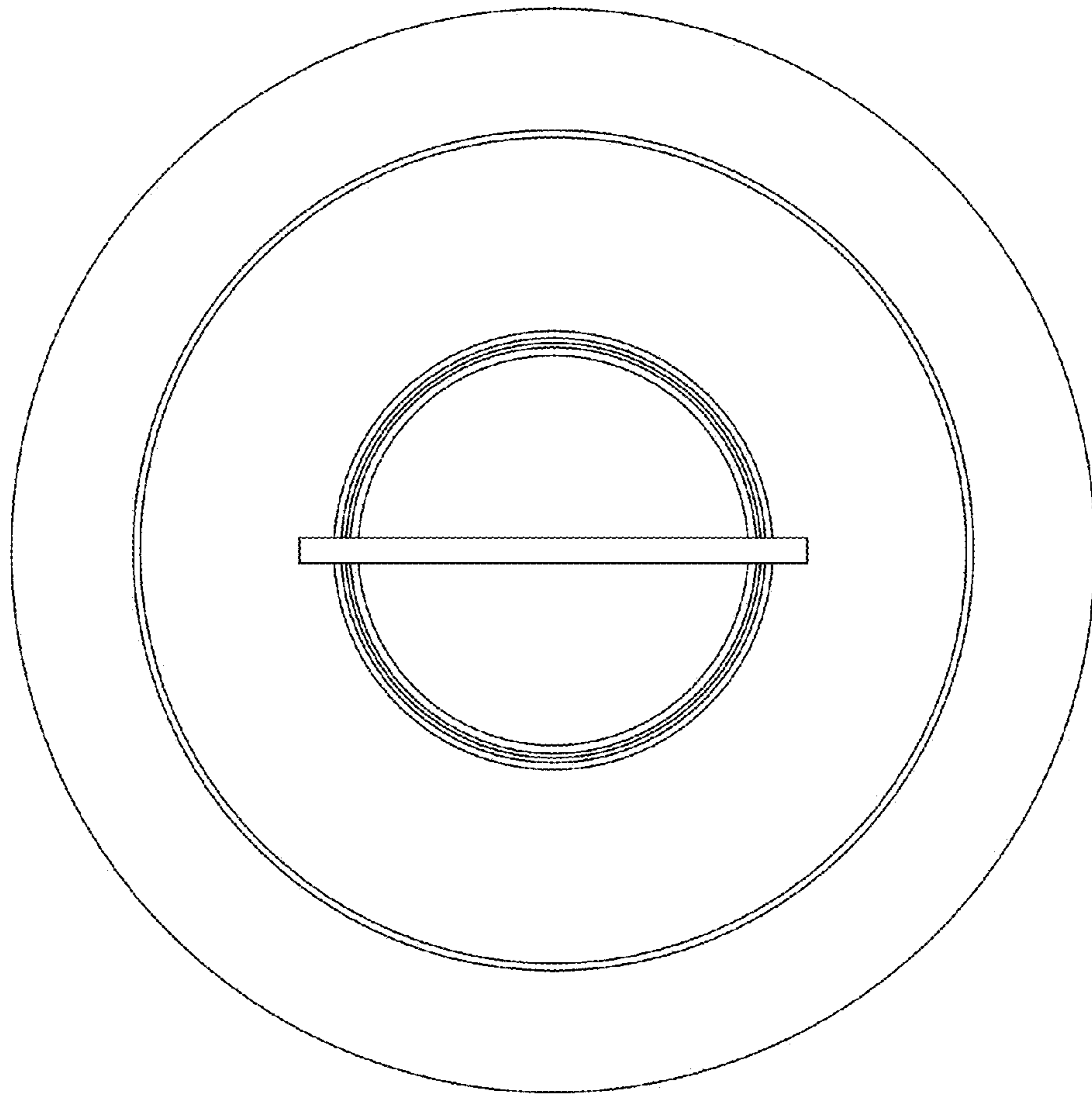


Fig. 3

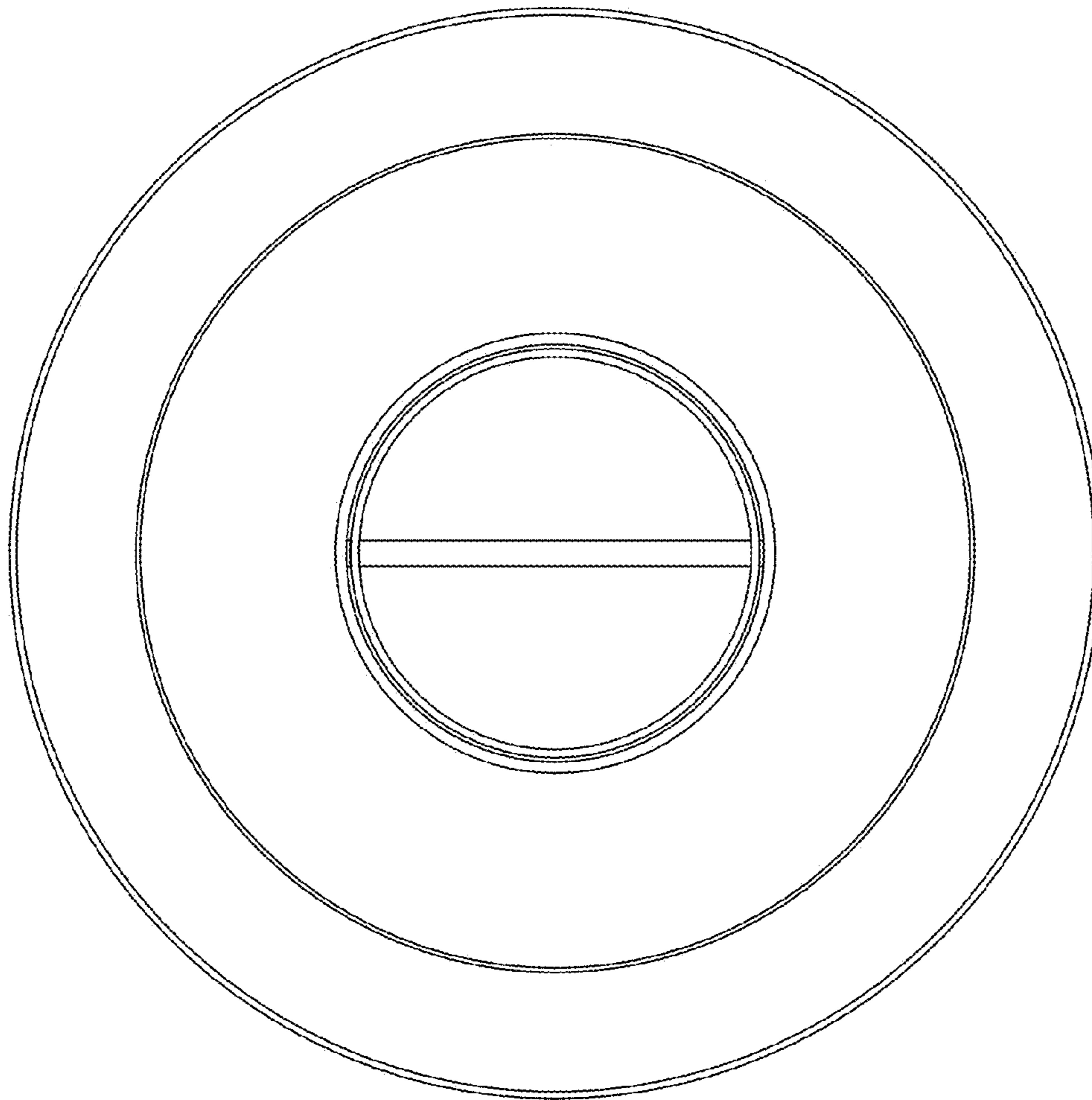


Fig. 4

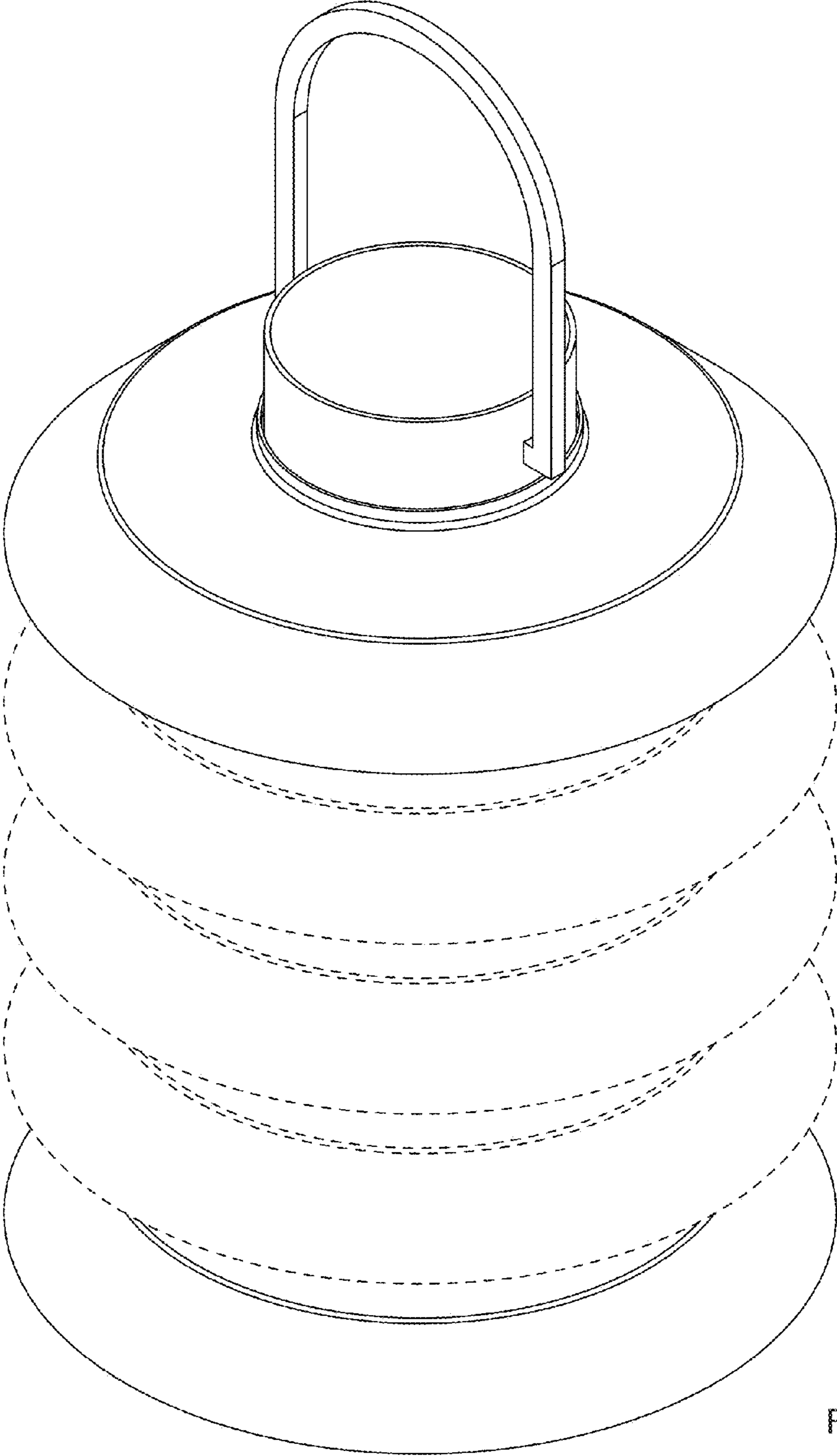


Fig. 5