



US00D681770S

(12) **United States Design Patent**
Jan

(10) **Patent No.:** **US D681,770 S**

(45) **Date of Patent:** **** May 7, 2013**

(54) **ULTRASONIC RAT PEST REPELLER**

(71) Applicant: **Tzu-Ying Jan**, New Taipei (TW)

(72) Inventor: **Tzu-Ying Jan**, New Taipei (TW)

(**) Term: **14 Years**

(21) Appl. No.: **29/437,273**

(22) Filed: **Nov. 14, 2012**

(51) **LOC (9) Cl.** **22-06**

(52) **U.S. Cl.**
USPC **D22/120**

(58) **Field of Classification Search** D22/119–124;
D23/366–382; D26/61, 72–73, 87; 43/107,
43/112–113, 121, 124, 131, 132.1
See application file for complete search history.

(56) **References Cited**

U.S. PATENT DOCUMENTS

D238,171 S *	12/1975	Banich	D22/120
D344,319 S *	2/1994	Liu	D22/120
D469,148 S *	1/2003	Levine	D22/120
D469,149 S *	1/2003	Levine	D22/120
6,926,902 B2 *	8/2005	Inoue et al.	43/132.1
D608,437 S *	1/2010	Wawoe et al.	D23/382

* cited by examiner

Primary Examiner — Catheri Oliver-Garcia

(74) *Attorney, Agent, or Firm* — Li & Cai Intellectual Property (USA) Office

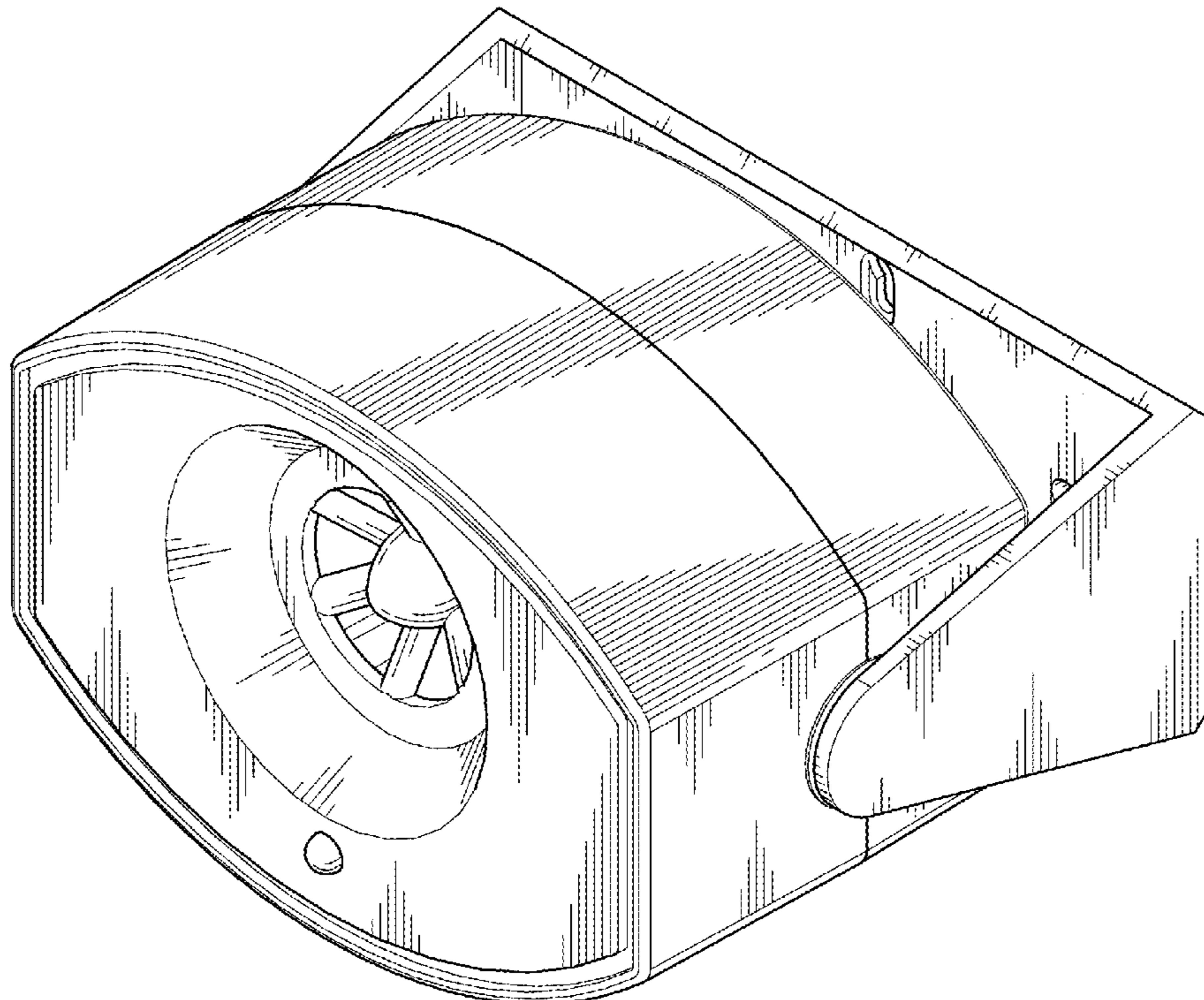
(57) **CLAIM**

The ornamental design for a “ultrasonic rat pest repeller,” as shown and described.

DESCRIPTION

FIG. 1 is a perspective view of a ultrasonic rat pest repeller showing my new design;
 FIG. 2 is a front view thereof;
 FIG. 3 is a rear view thereof;
 FIG. 4 is a left side view thereof;
 FIG. 5 is a right side view thereof;
 FIG. 6 is a top view thereof;
 FIG. 7 is a bottom view thereof;
 FIG. 8 is a perspective view viewed from another visual angle thereof;
 FIG. 9 is a perspective view showing the practical usage thereof; and,
 FIG. 10 is a perspective view showing the practical usage thereof.
 The broken line showing of environment in the drawings is for illustrative purposes only and forms no part of the claimed design.

1 Claim, 10 Drawing Sheets



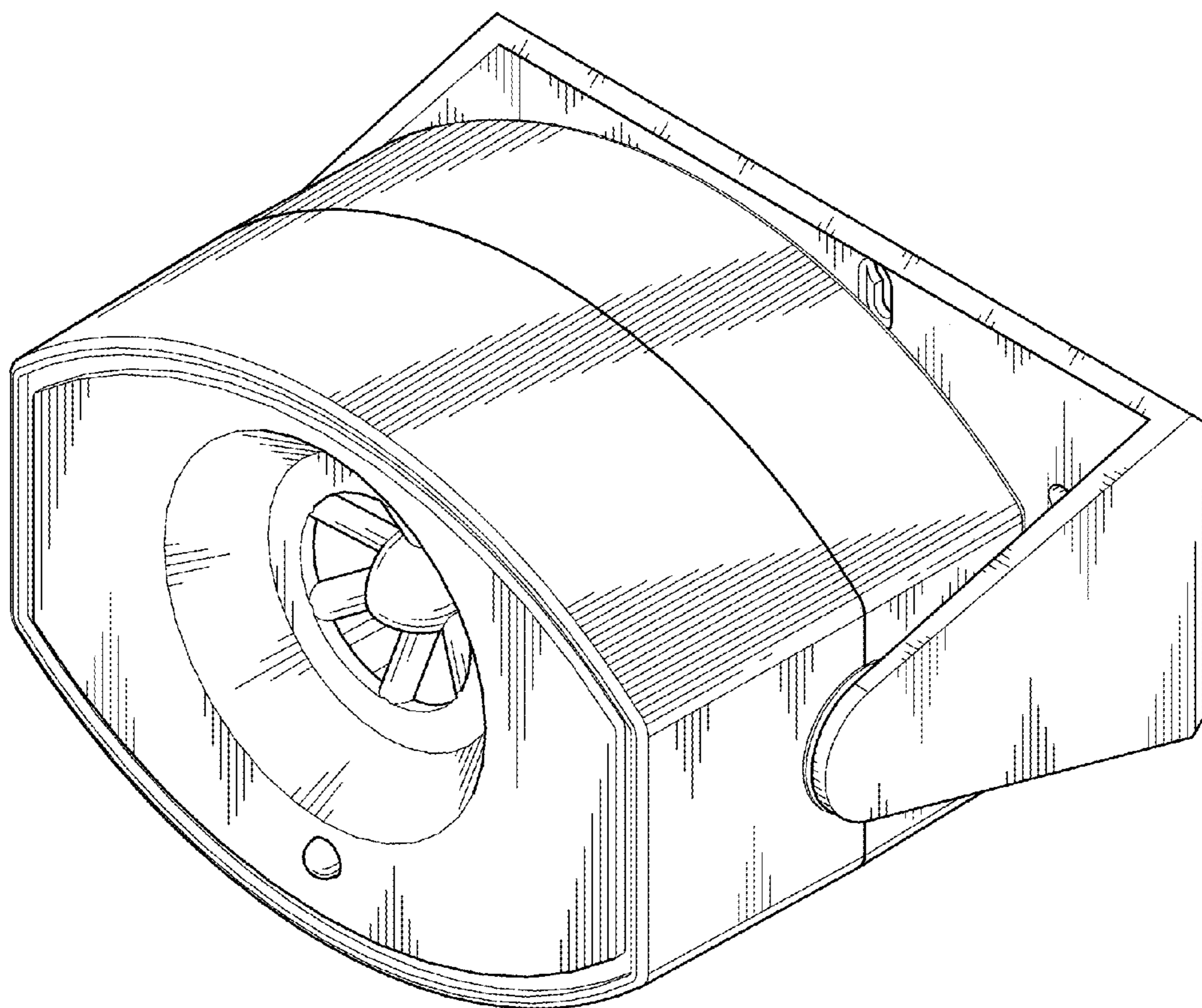


FIG. 1

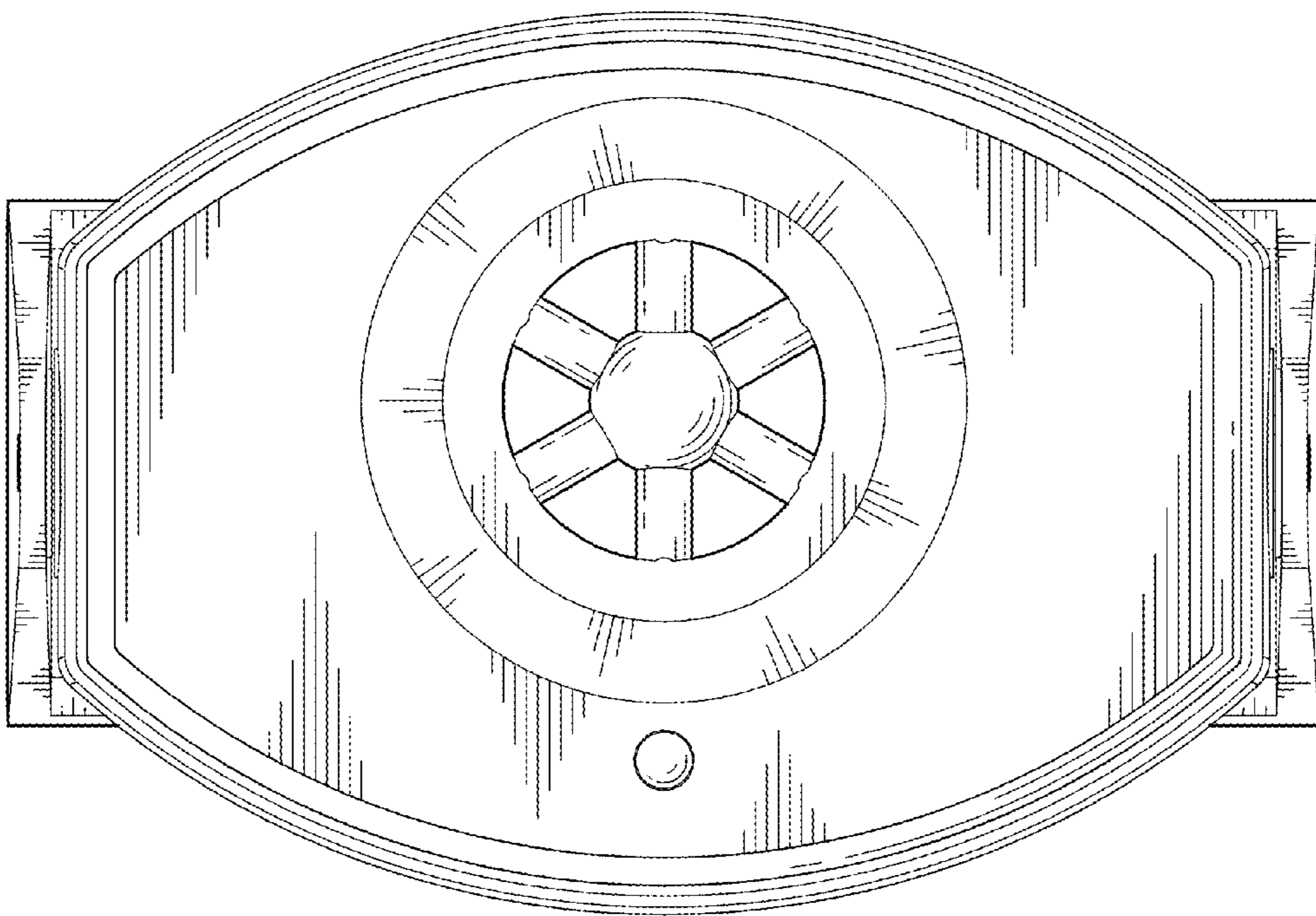


FIG. 2

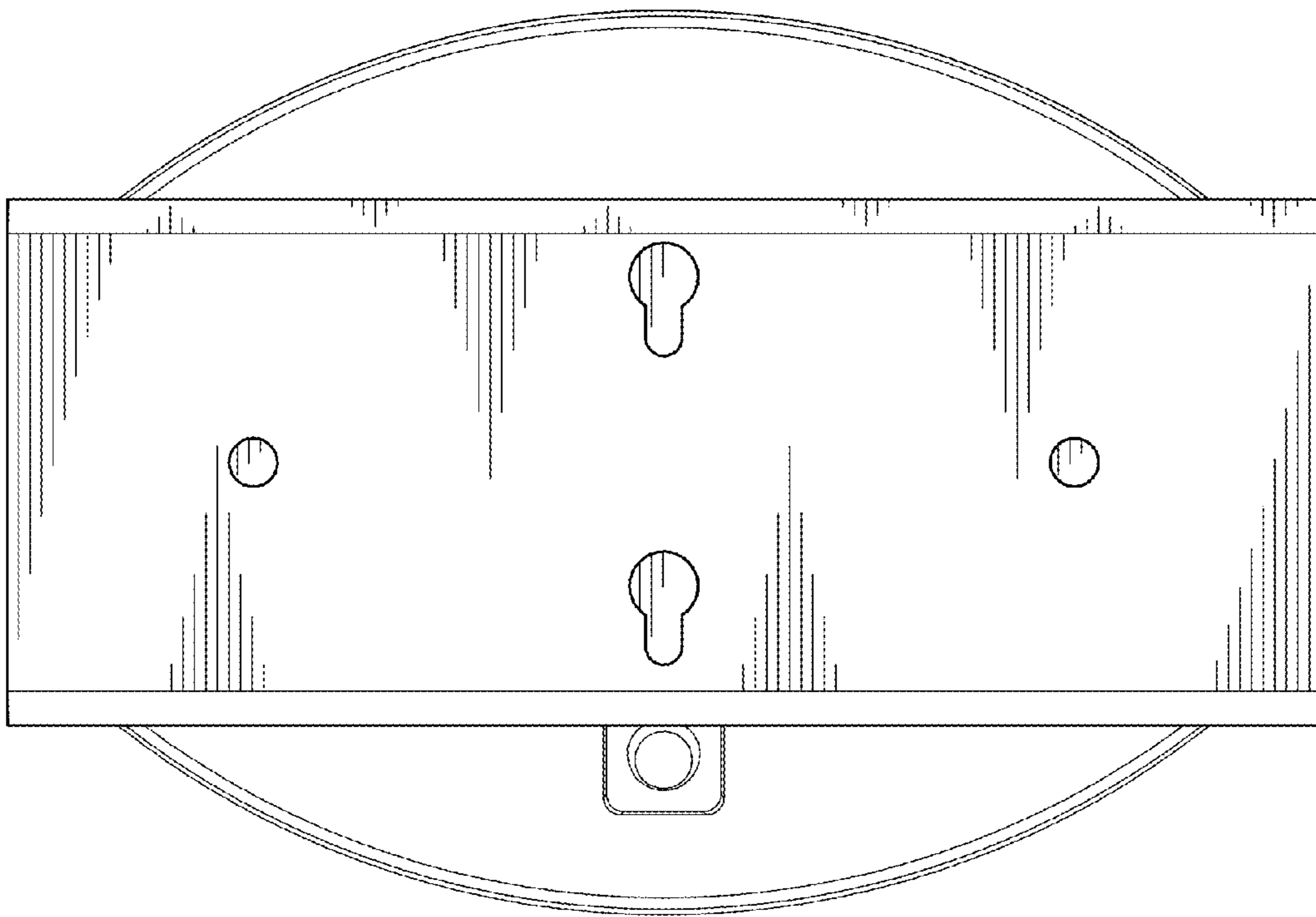


FIG. 3

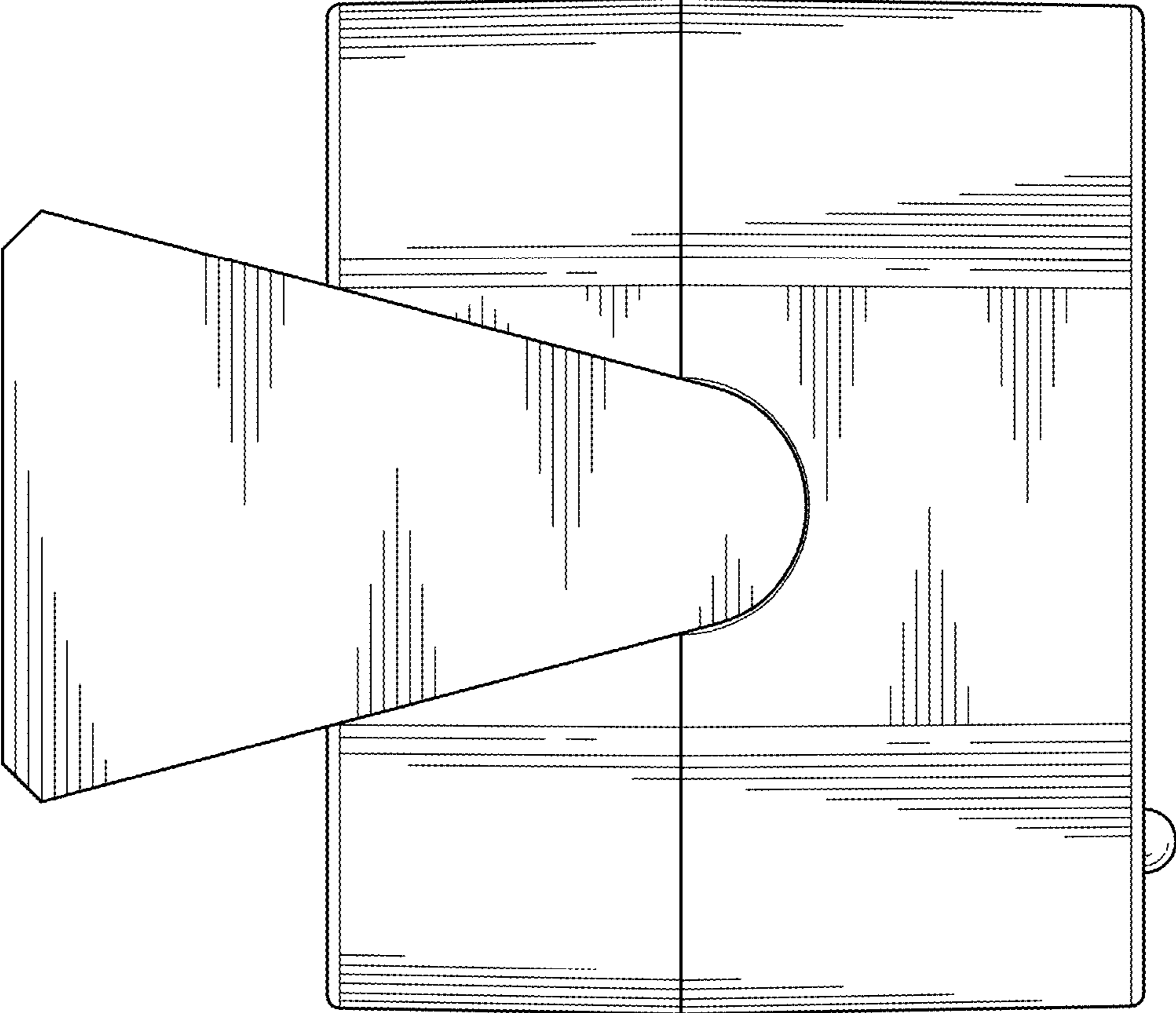


FIG. 4

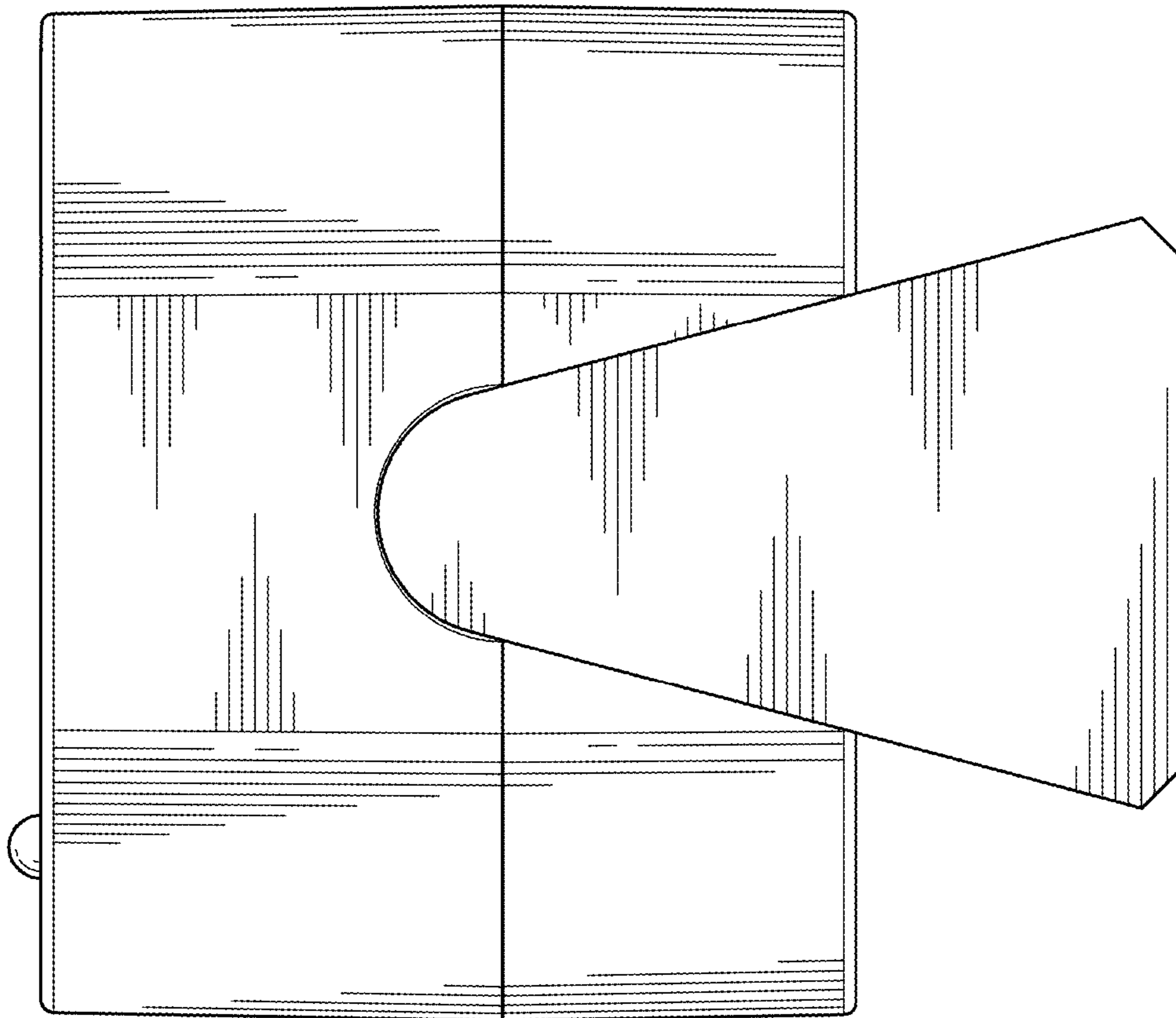


FIG. 5

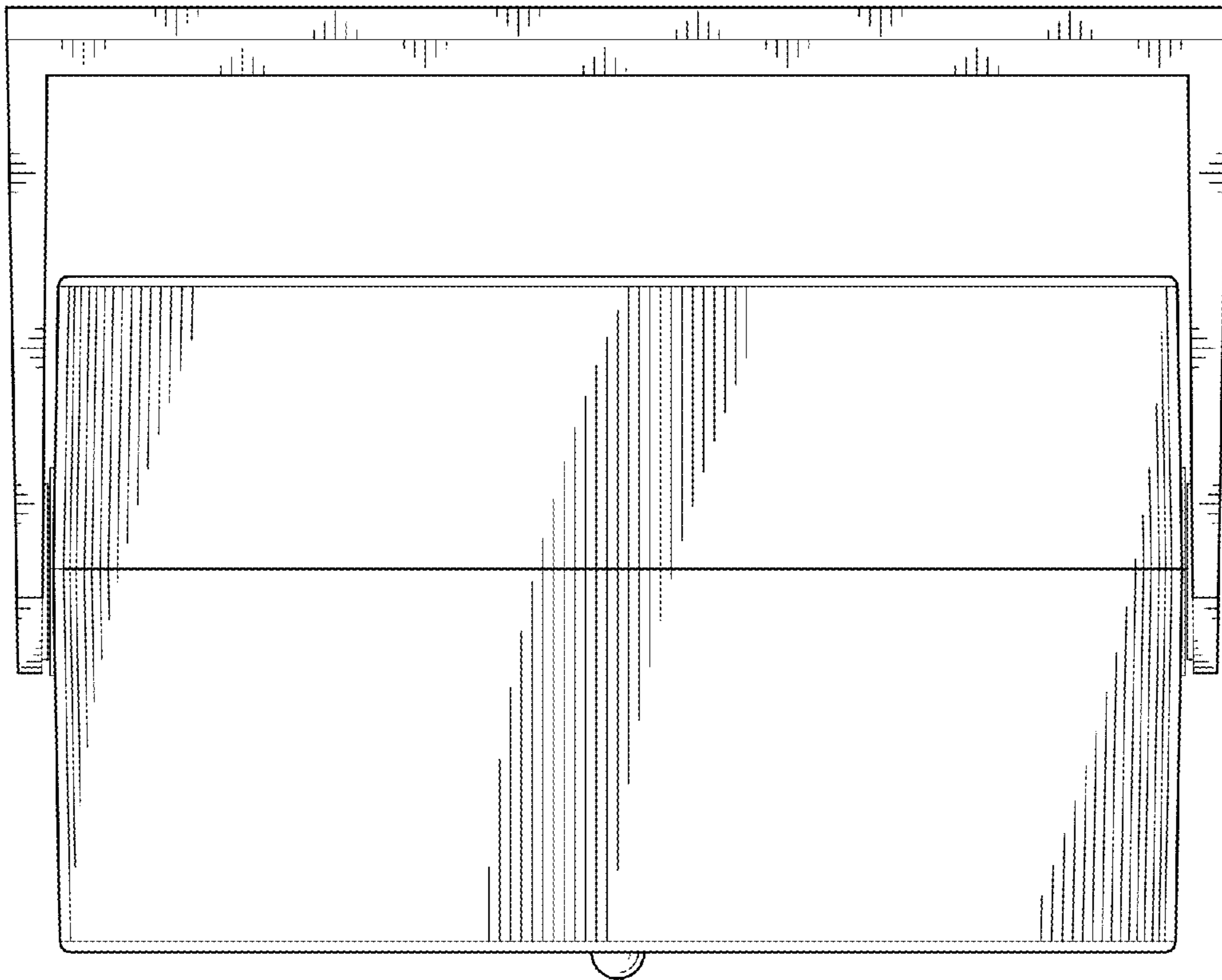


FIG. 6

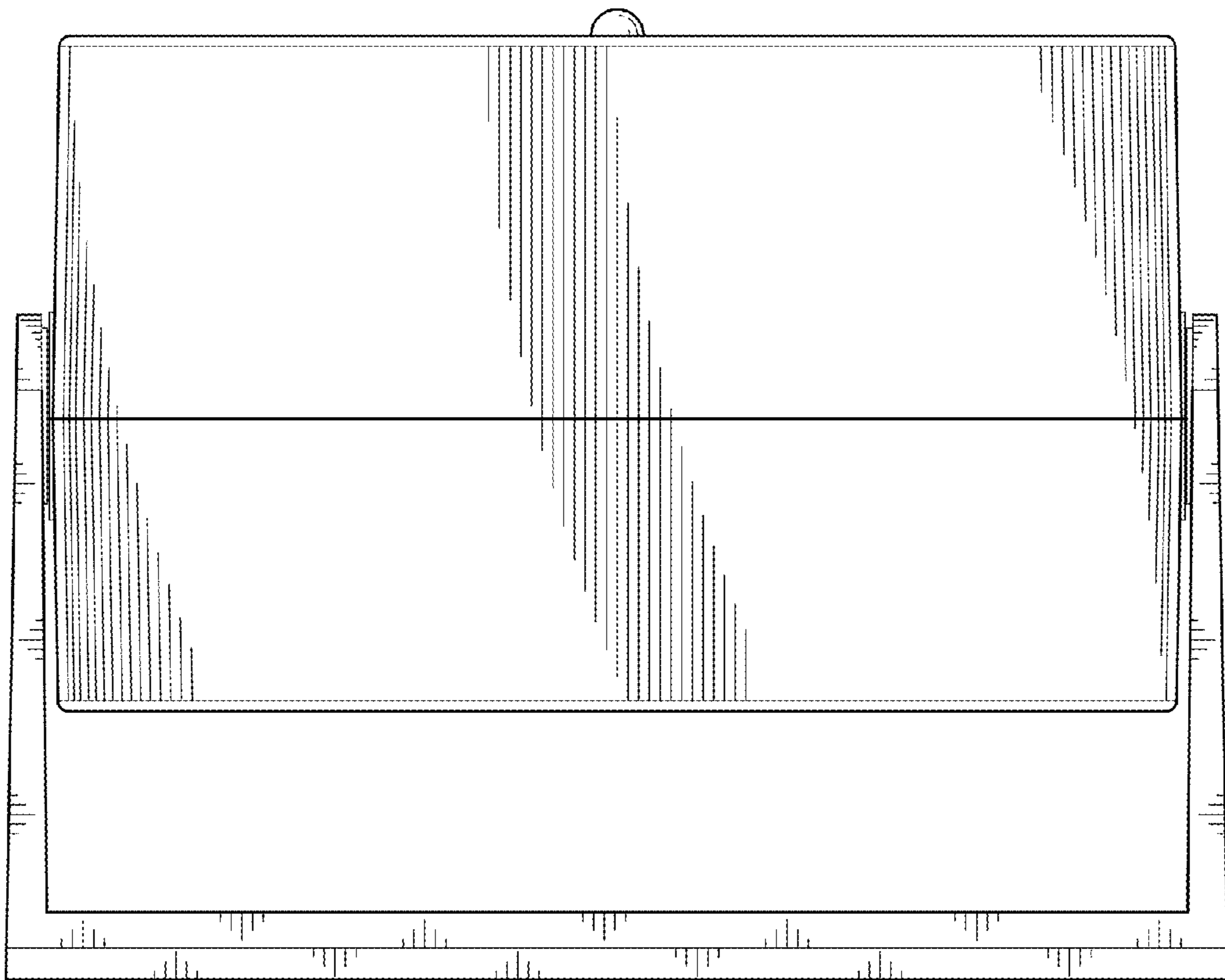


FIG. 7

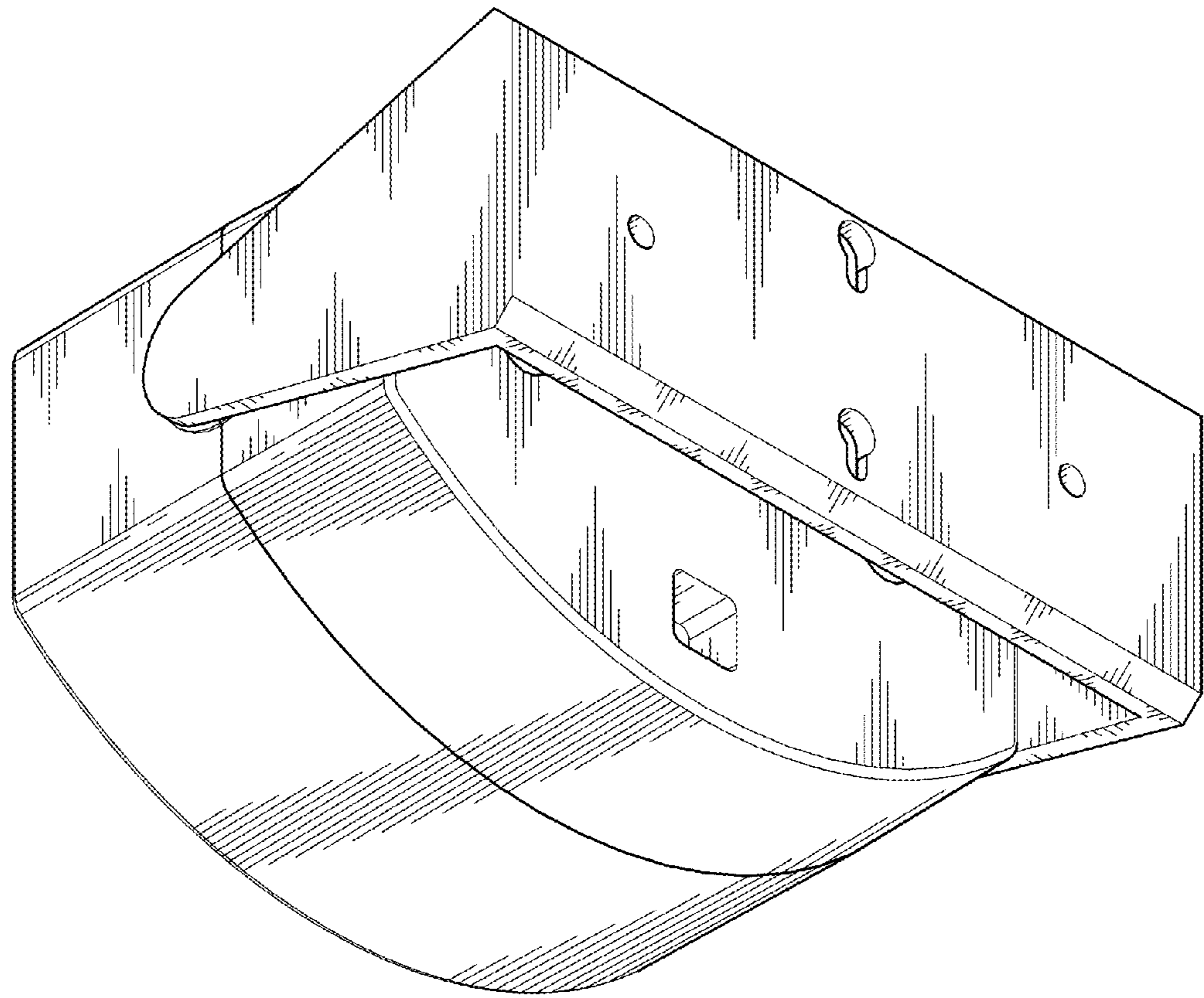


FIG. 8

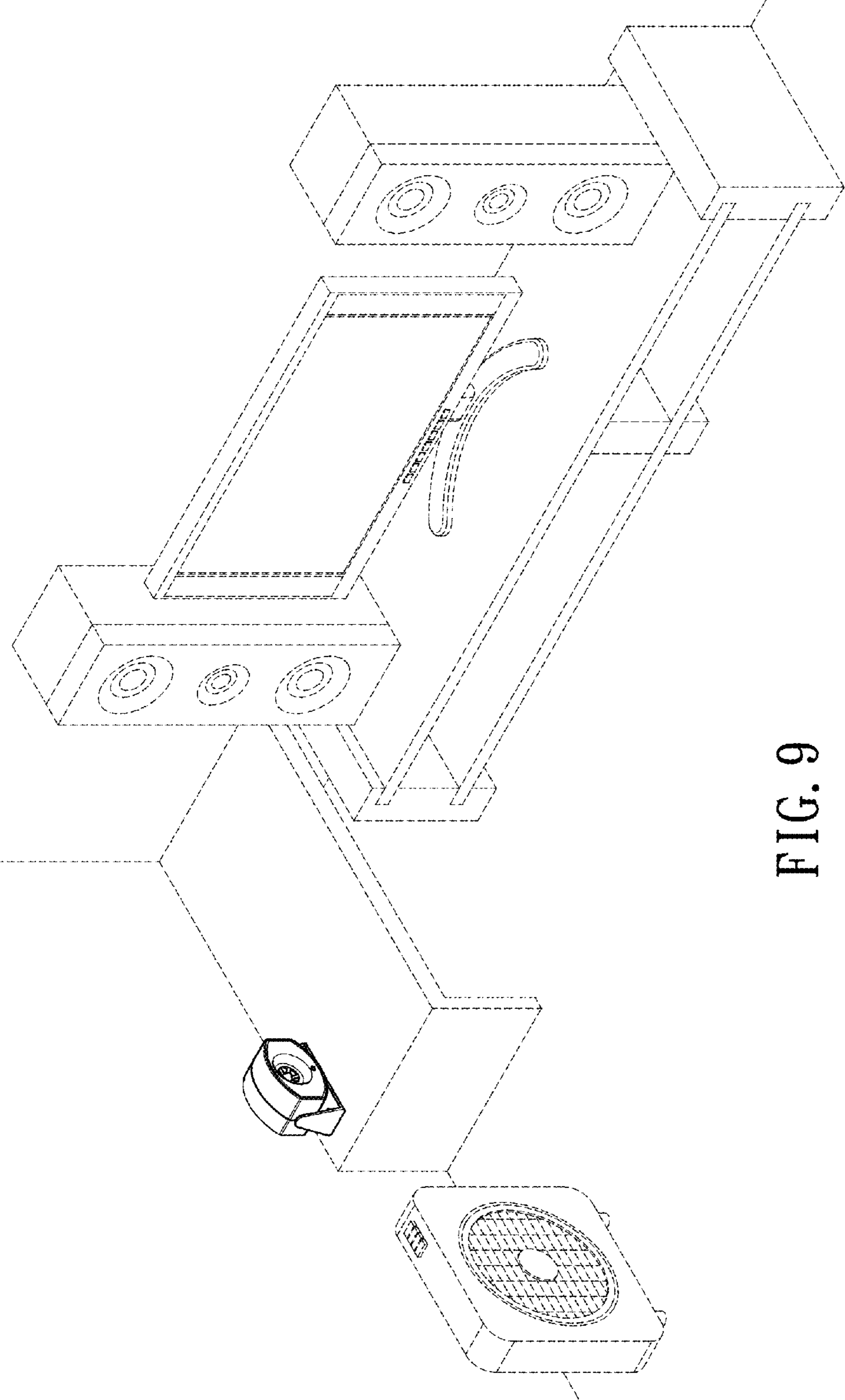


FIG. 9

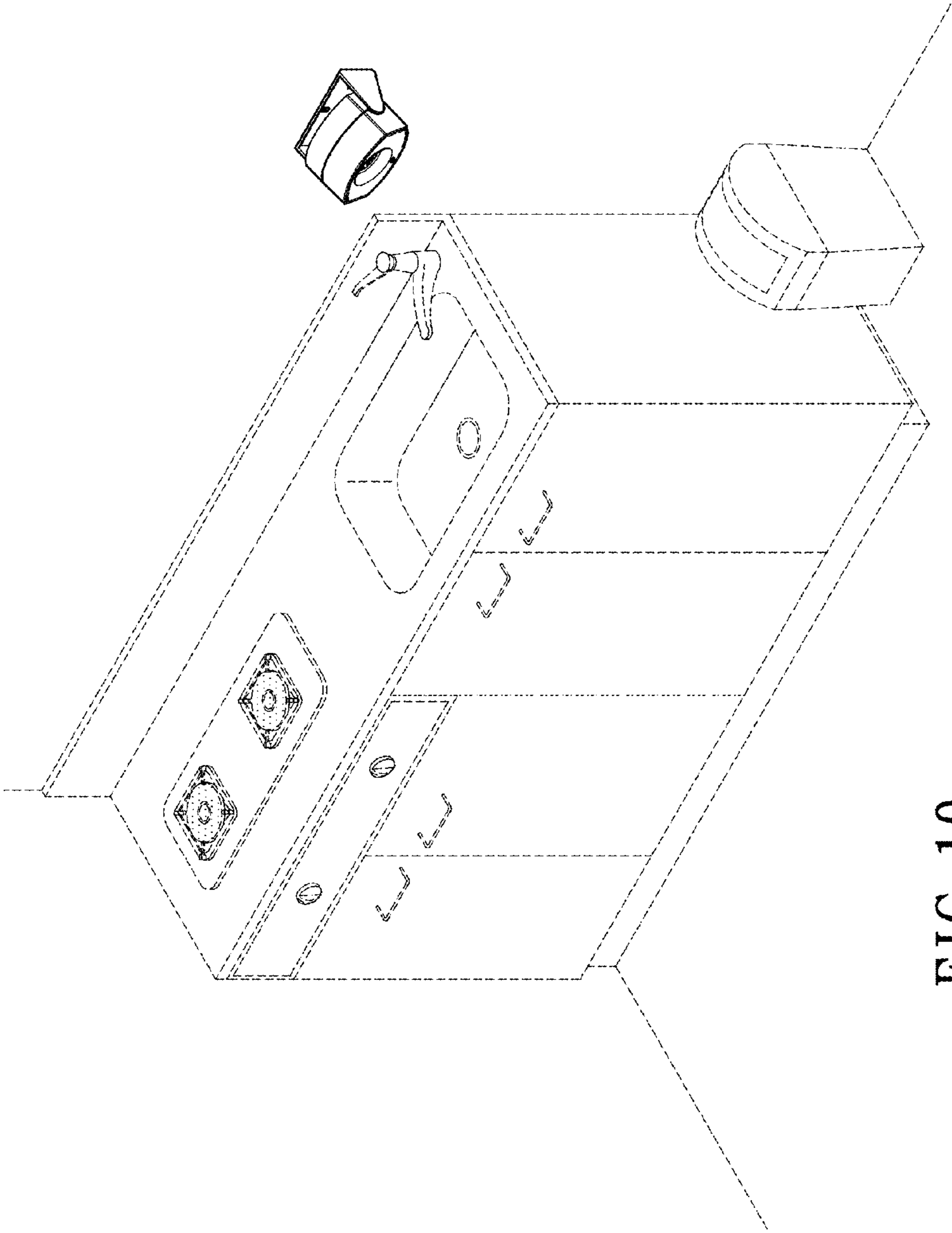


FIG. 10