



US00D681769S

(12) **United States Design Patent**
Jan

(10) **Patent No.:** **US D681,769 S**

(45) **Date of Patent:** **** May 7, 2013**

- (54) **ULTRASONIC PEST AWAY**
- (76) Inventor: **Tzu-Ying Jan**, New Taipei (TW)
- (**) Term: **14 Years**
- (21) Appl. No.: **29/428,687**
- (22) Filed: **Aug. 2, 2012**
- (51) **LOC (9) Cl.** **22-06**
- (52) **U.S. Cl.**
USPC **D22/120**
- (58) **Field of Classification Search** D22/119-124;
43/59, 112-114, 121, 127, 131, 132.1;
D23/366-367; 367/139
See application file for complete search history.

- D469,499 S * 1/2003 Levine D22/120
- D526,696 S * 8/2006 Boyd et al. D22/120
- D630,702 S * 1/2011 Levine D22/120

* cited by examiner

Primary Examiner — Catheri Oliver-Garcia
(74) *Attorney, Agent, or Firm* — Li & Cai Intellectual Property (USA) Office

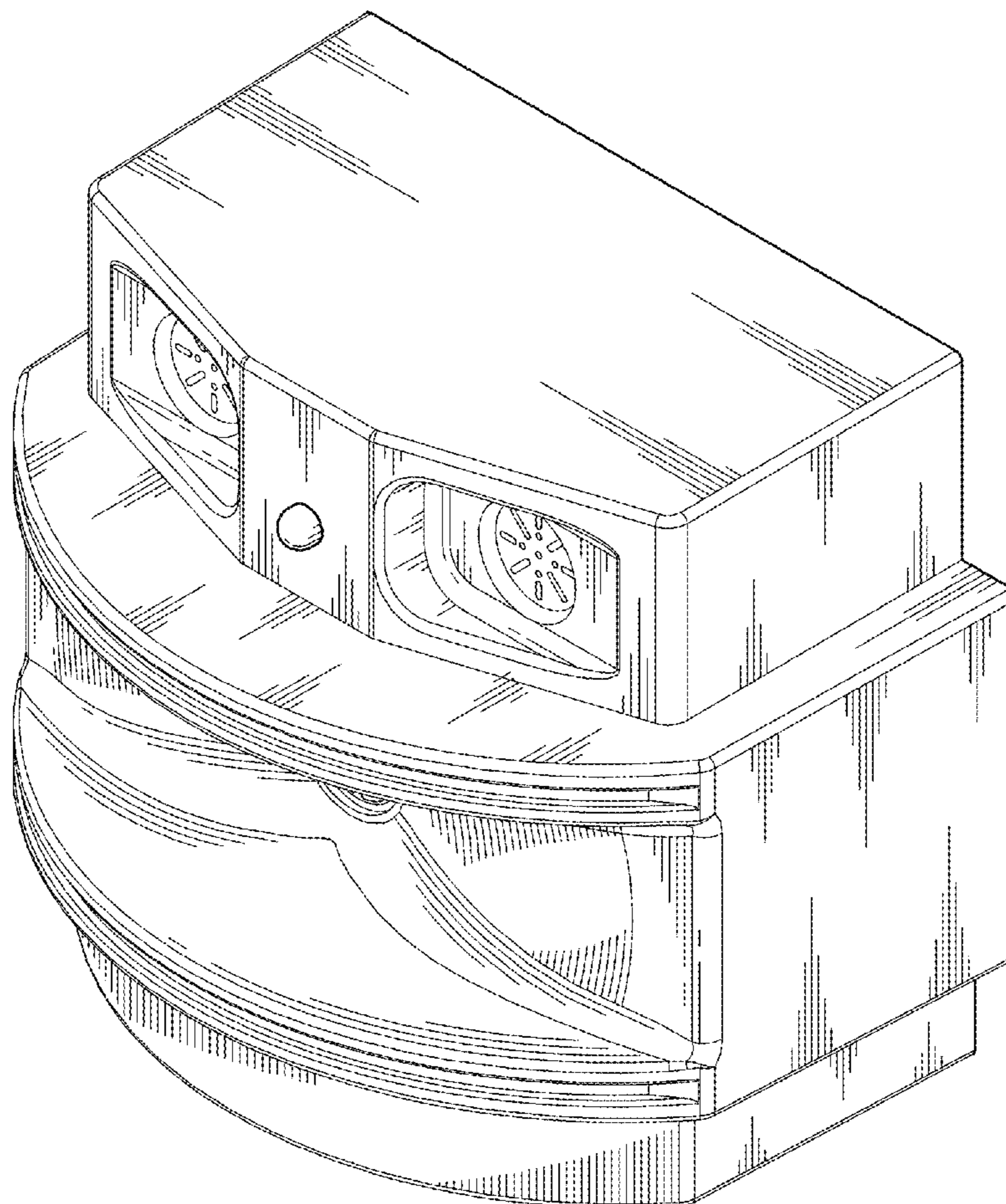
(57) **CLAIM**
The ornamental design for a “ultrasonic pest away,” as shown and described.

DESCRIPTION

FIG. 1 is a perspective view of a “ultrasonic pest away” showing my new design;
FIG. 2 is a front view thereof;
FIG. 3 is a rear view thereof;
FIG. 4 is a left side view thereof;
FIG. 5 is a right side view thereof;
FIG. 6 is a top view thereof; and,
FIG. 7 is a bottom view thereof.

- (56) **References Cited**
- U.S. PATENT DOCUMENTS
- D344,319 S * 2/1994 Liu D22/120
- D352,988 S * 11/1994 Jan D22/120
- D430,259 S * 8/2000 Jan D22/120
- D460,800 S * 7/2002 Jan D22/120
- D469,148 S * 1/2003 Levine D22/120

1 Claim, 4 Drawing Sheets



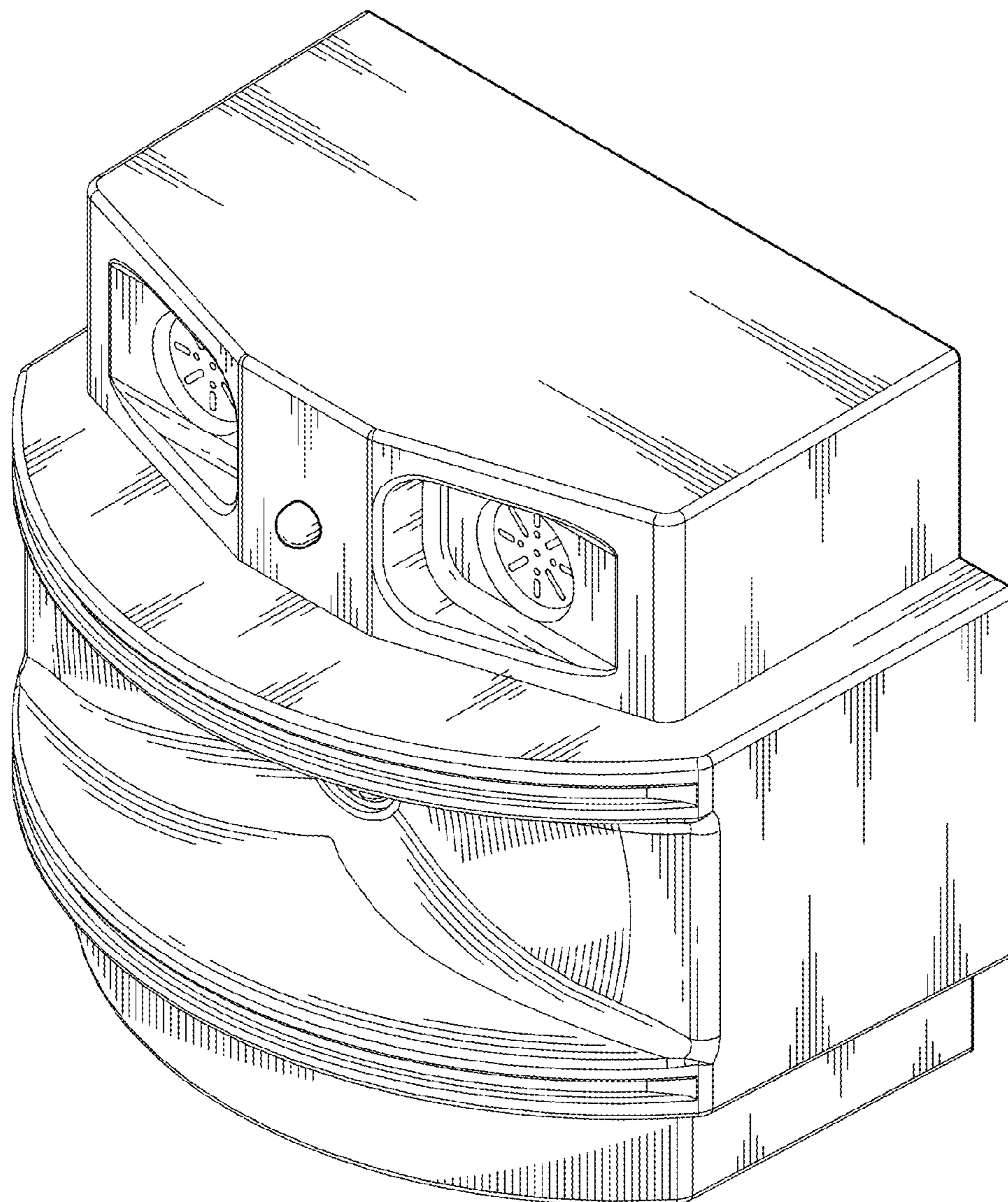


FIG. 1

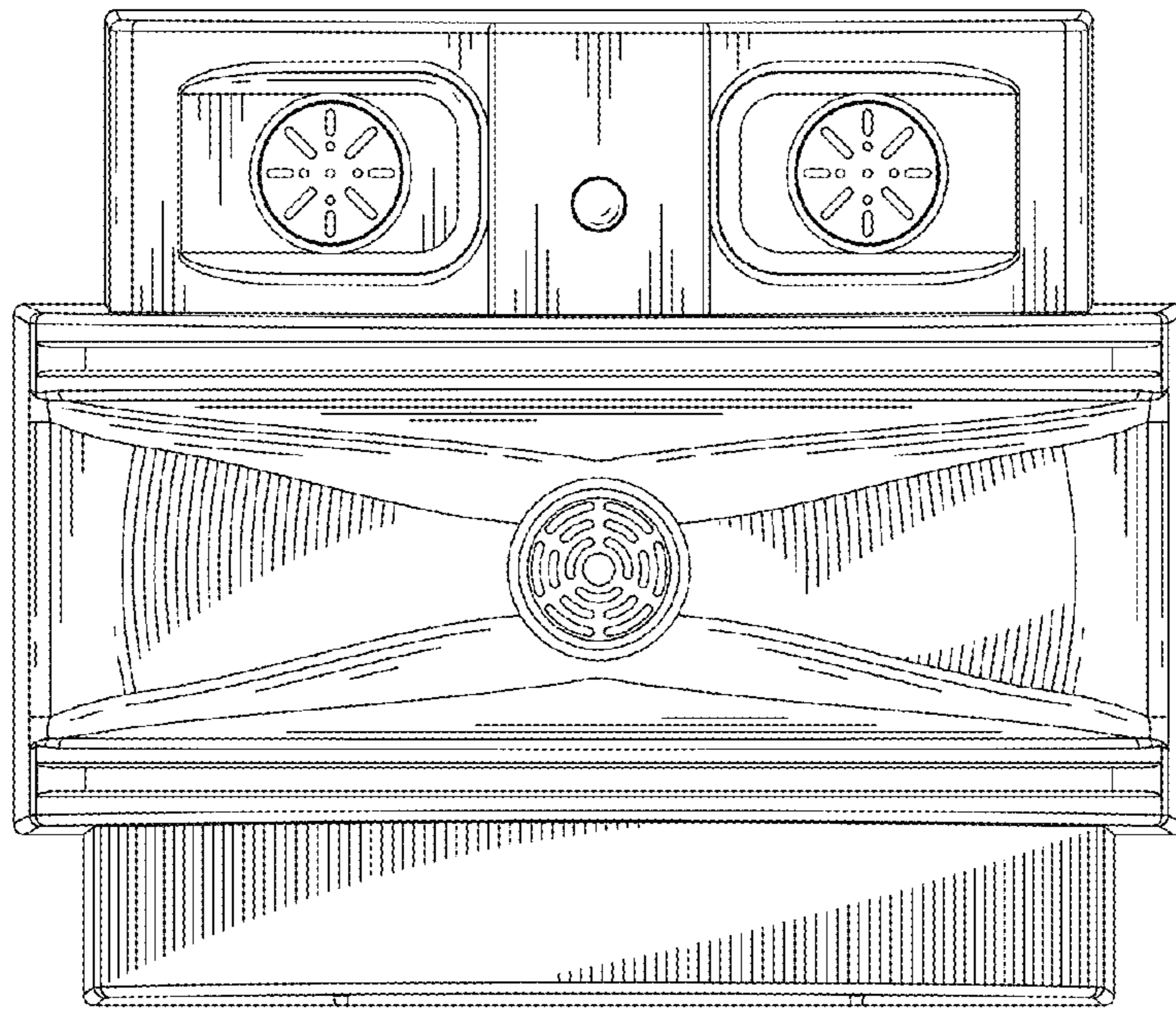


FIG. 2

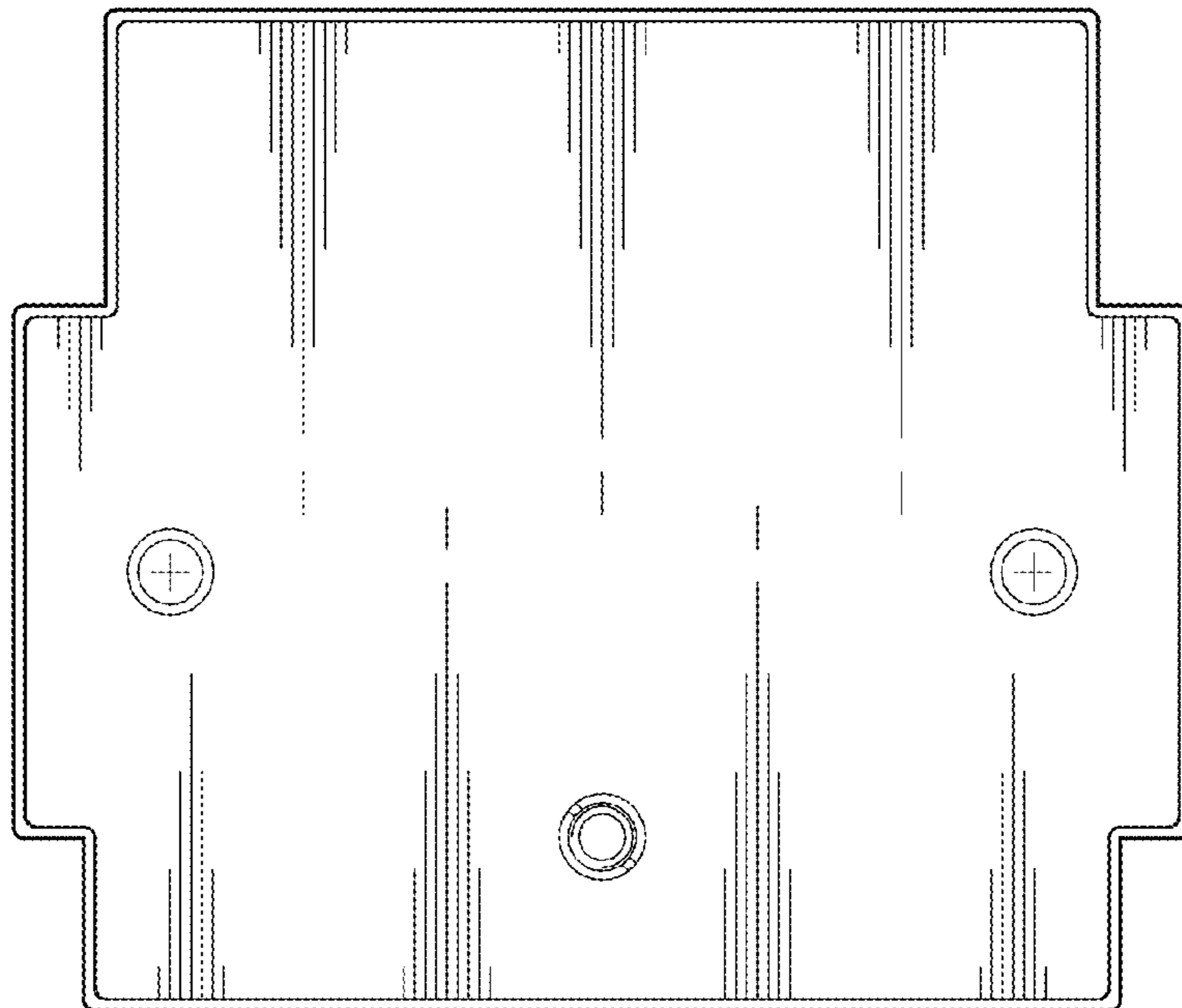


FIG. 3

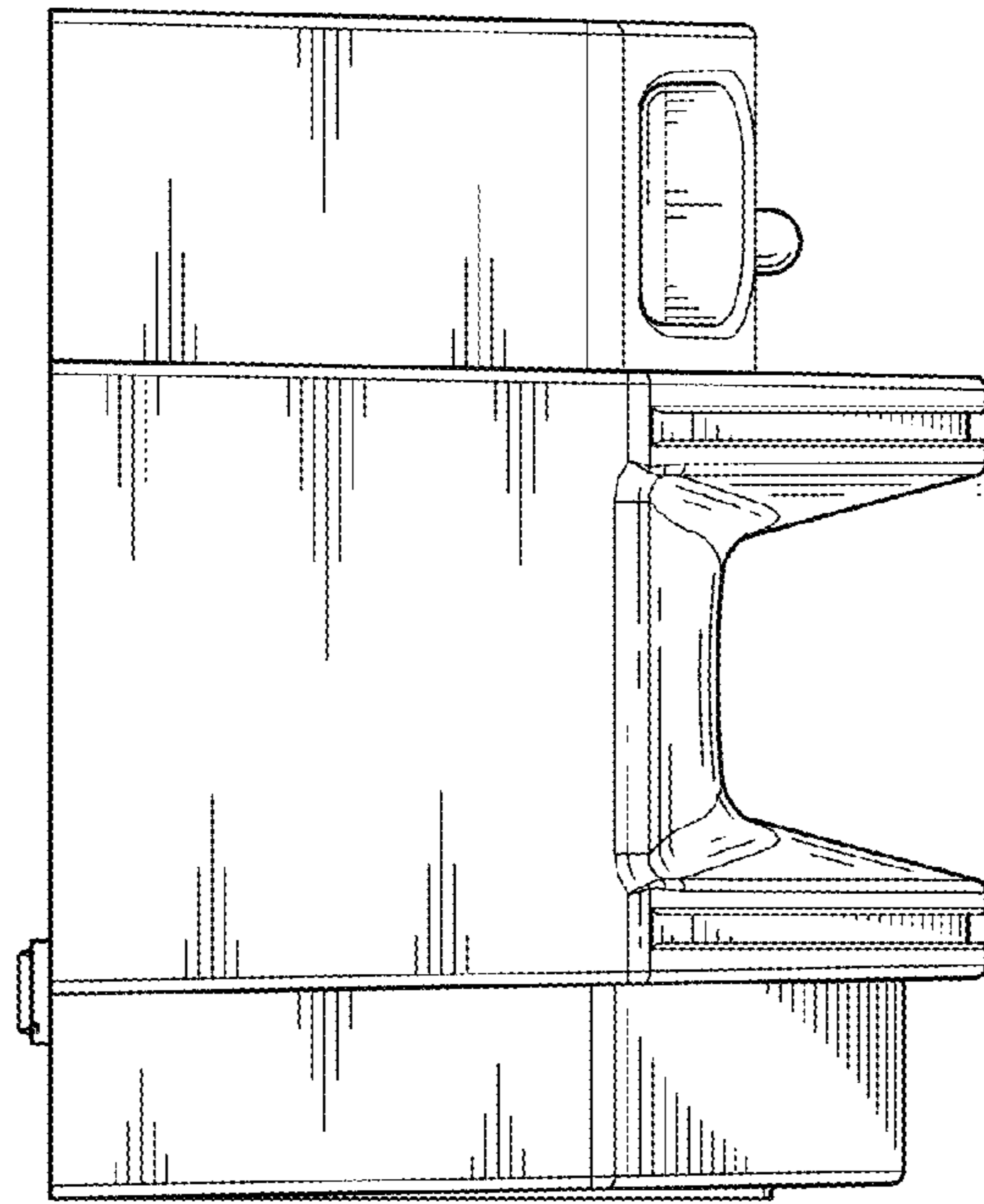


FIG. 4

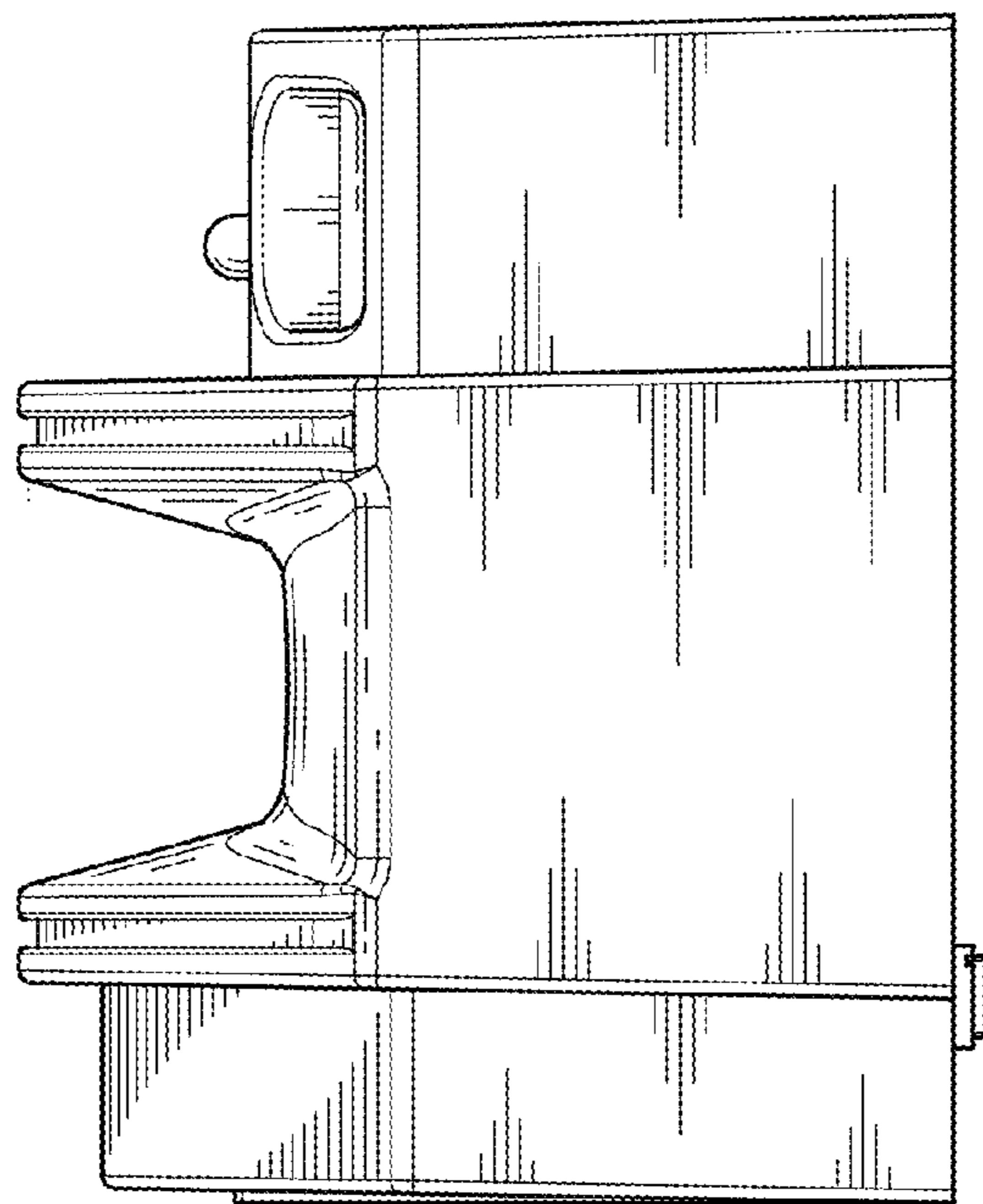


FIG. 5

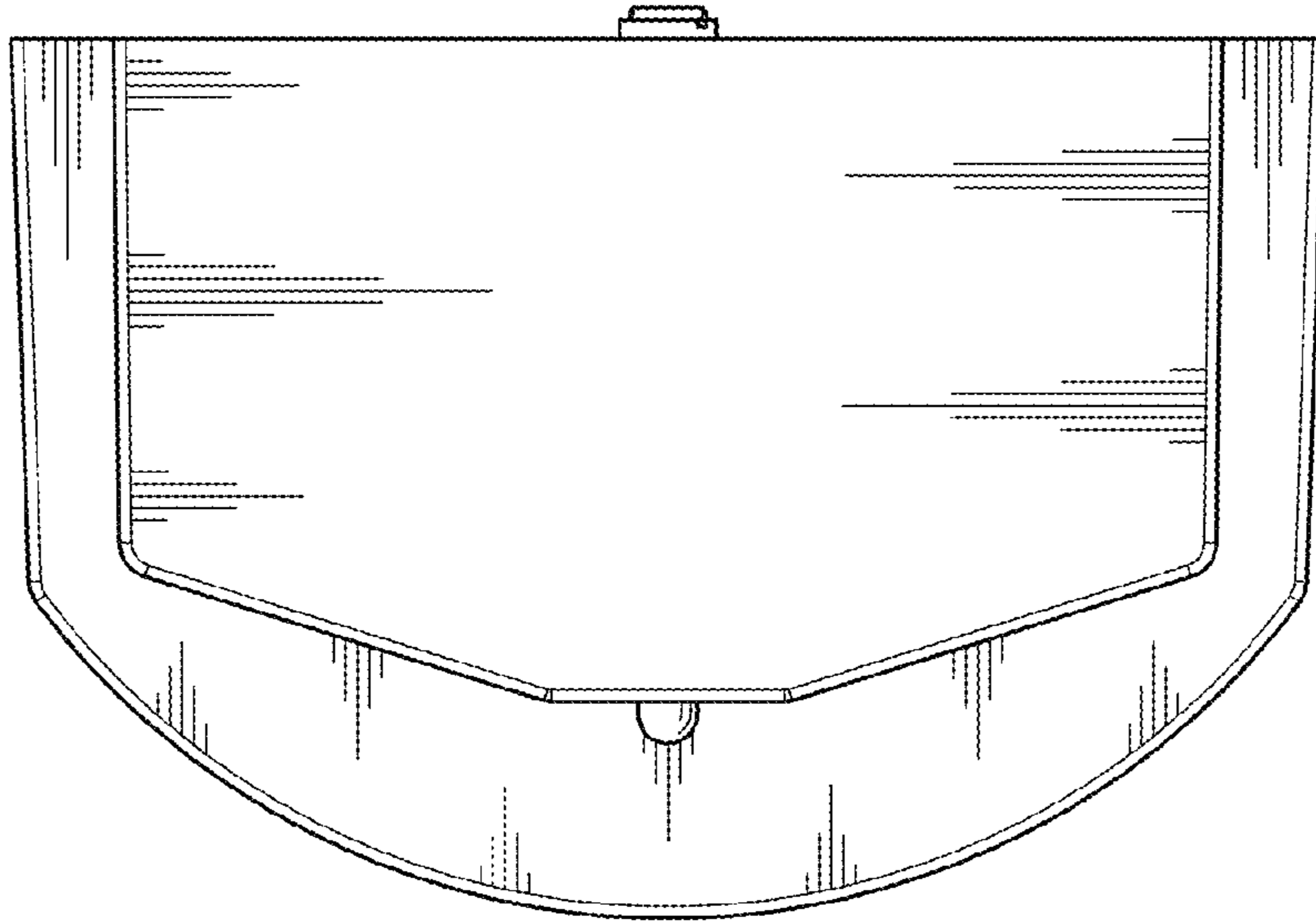


FIG. 6

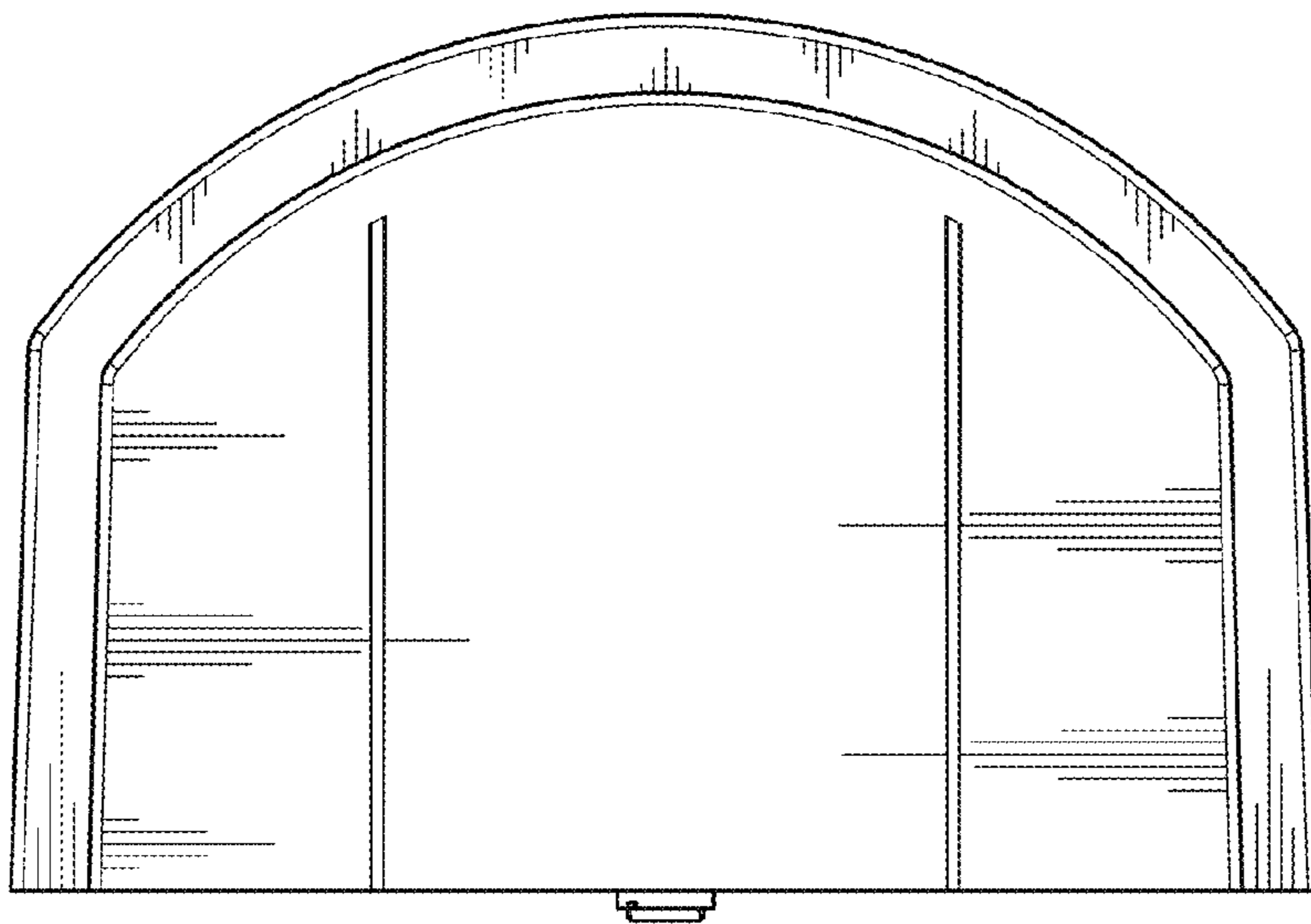


FIG. 7