



US00D681767S

(12) **United States Design Patent**
Li et al.

(10) **Patent No.:** **US D681,767 S**
(45) **Date of Patent:** **** May 7, 2013**

(54) **FIREARM SIGHT MOUNT**
(75) Inventors: **Daohai Li**, Chengdu (CN); **James Sellers**, Mansfield, TX (US); **Jonathan Horton**, Mansfield, TX (US)
(73) Assignee: **Sellmark Corporation**, Mansfield, TX (US)
(**) Term: **14 Years**
(21) Appl. No.: **29/409,496**
(22) Filed: **Dec. 23, 2011**
(51) **LOC (9) Cl.** **22-01**
(52) **U.S. Cl.**
USPC **D22/109**; D22/108
(58) **Field of Classification Search** D22/108–109;
42/111–105; D26/38–39; 359/409–411;
33/227, 229; 89/200–204; D16/130–136
See application file for complete search history.

6,442,883 B1 9/2002 Waterman et al.
6,513,276 B2 * 2/2003 Mendoza-Orozco 42/137
6,629,381 B1 * 10/2003 Keng 42/124
6,637,144 B2 10/2003 Nelson
6,922,934 B1 8/2005 Huan
6,931,778 B1 8/2005 Nelson et al.
7,065,916 B2 6/2006 Ballard
7,367,152 B2 5/2008 Samson
7,493,721 B2 2/2009 Swan
7,562,485 B2 7/2009 Newhall et al.
7,614,175 B2 * 11/2009 Davis et al. 42/127
7,730,655 B2 * 6/2010 Spuhr 42/127
D623,254 S * 9/2010 Larsson D22/108
7,802,395 B1 9/2010 Swan

(Continued)

OTHER PUBLICATIONS

Office Action Dated Dec. 24, 2012 PTO 892, U.S. Appl. No. 13/336,320, Daohai Li, James Sellers, Jonathan Horton, filed Dec. 23, 2011.

Primary Examiner — Michael A Pratt
(74) *Attorney, Agent, or Firm* — Mark D. Perdue

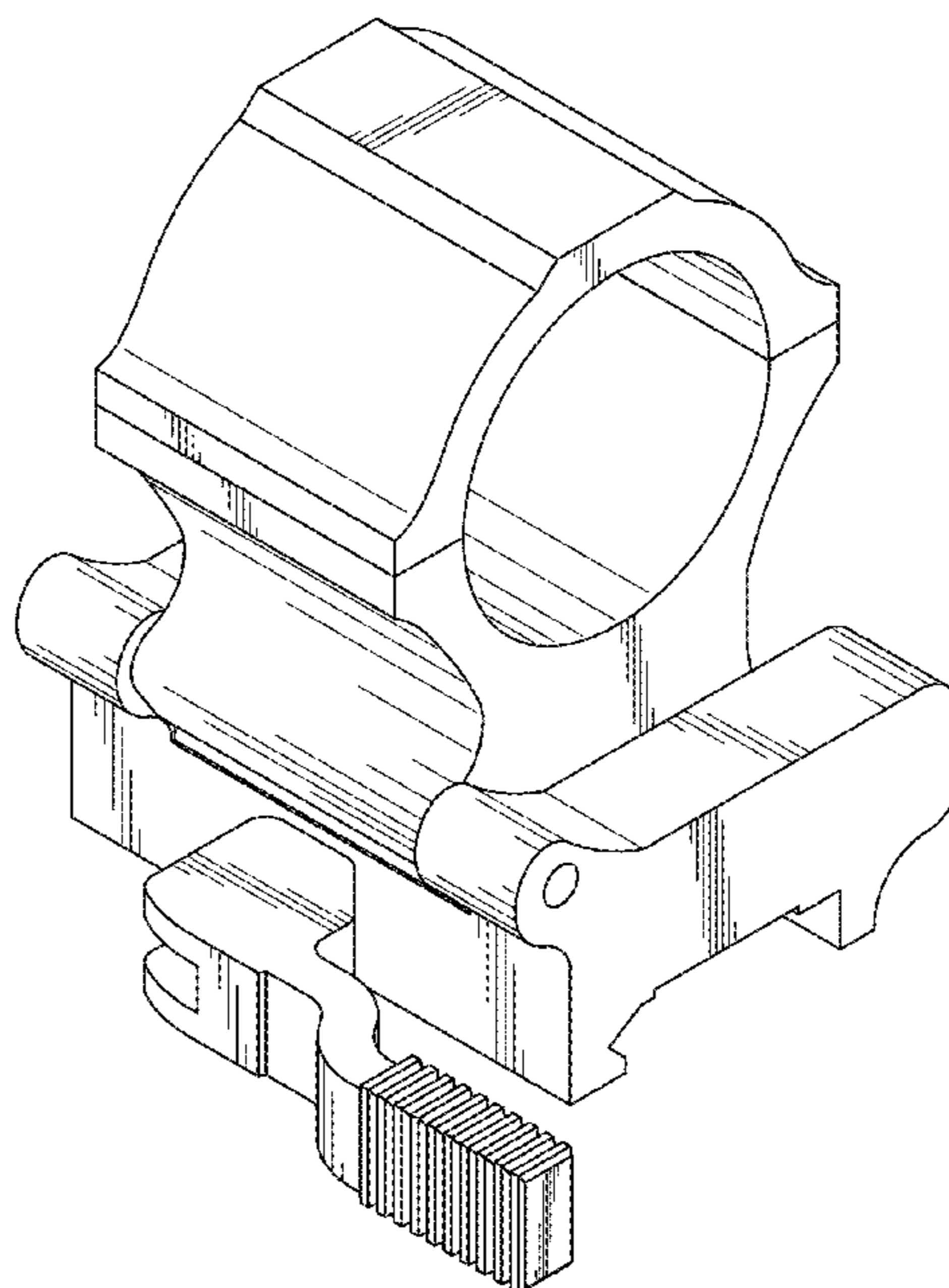
(57) **CLAIM**
The ornamental design for the firearm sight mount, as shown and described.

DESCRIPTION

FIG. 1 is an isometric view of the firearm sight mount.
FIG. 2 is a front view of the firearm sight mount of FIG. 1.
FIG. 3 is a bottom view of the firearm sight mount of FIG. 1.
FIG. 4 is a top side view of the firearm sight mount of FIG. 1.
FIG. 5 is a rear side view of the firearm sight mount of FIG. 1.
FIG. 6 is a right side view of the firearm sight mount of FIG. 1; and,
FIG. 7 is a left side view of the firearm sight mount of FIG. 1.

1 Claim, 4 Drawing Sheets

(56) **References Cited**
U.S. PATENT DOCUMENTS
2,425,130 A 8/1947 Shelley
2,527,289 A 10/1950 Allen
2,529,801 A 11/1950 Fisk
2,629,175 A 2/1953 Merritt
2,639,507 A 5/1953 Pachmayr
2,710,453 A 6/1955 Bobby
2,803,880 A 8/1957 Weaver
3,178,823 A 4/1965 Michael
3,226,868 A 1/1966 Mahoney
3,750,318 A * 8/1973 Burris 42/127
4,571,870 A 2/1986 Heideman et al.
5,111,587 A * 5/1992 Plank 42/127
5,606,818 A * 3/1997 Hardee 42/124
5,680,725 A 10/1997 Bell



US D681,767 S

Page 2

| U.S. PATENT DOCUMENTS | | | |
|-----------------------|------|---------|--------------------------|
| 7,823,316 | B2 | 11/2010 | Storch et al. |
| 7,908,782 | B1 * | 3/2011 | LaRue 42/128 |
| 8,132,355 | B1 | 3/2012 | Kincaid et al. |
| 8,171,666 | B2 * | 5/2012 | Karagias 42/124 |
| 2004/0148842 | A1 * | 8/2004 | Aalto et al. 42/127 |
| 2004/0244263 | A1 | 12/2004 | Pettersson et al. |
| 2006/0117636 | A1 | 6/2006 | Newhall et al. |
| 2006/0162227 | A1 | 7/2006 | Samson |
| 2006/0207156 | A1 * | 9/2006 | Larue 42/127 |
| 2008/0155876 | A1 | 7/2008 | Matthews et al. |
| 2008/0168696 | A1 | 7/2008 | Orne et al. |
| 2010/0229450 | A1 | 9/2010 | Becker |
| 2011/0076095 | A1 | 3/2011 | Storch et al. |
| 2011/0138673 | A1 | 6/2011 | Deros |
| 2011/0296731 | A1 | 12/2011 | Carlson et al. |

* cited by examiner

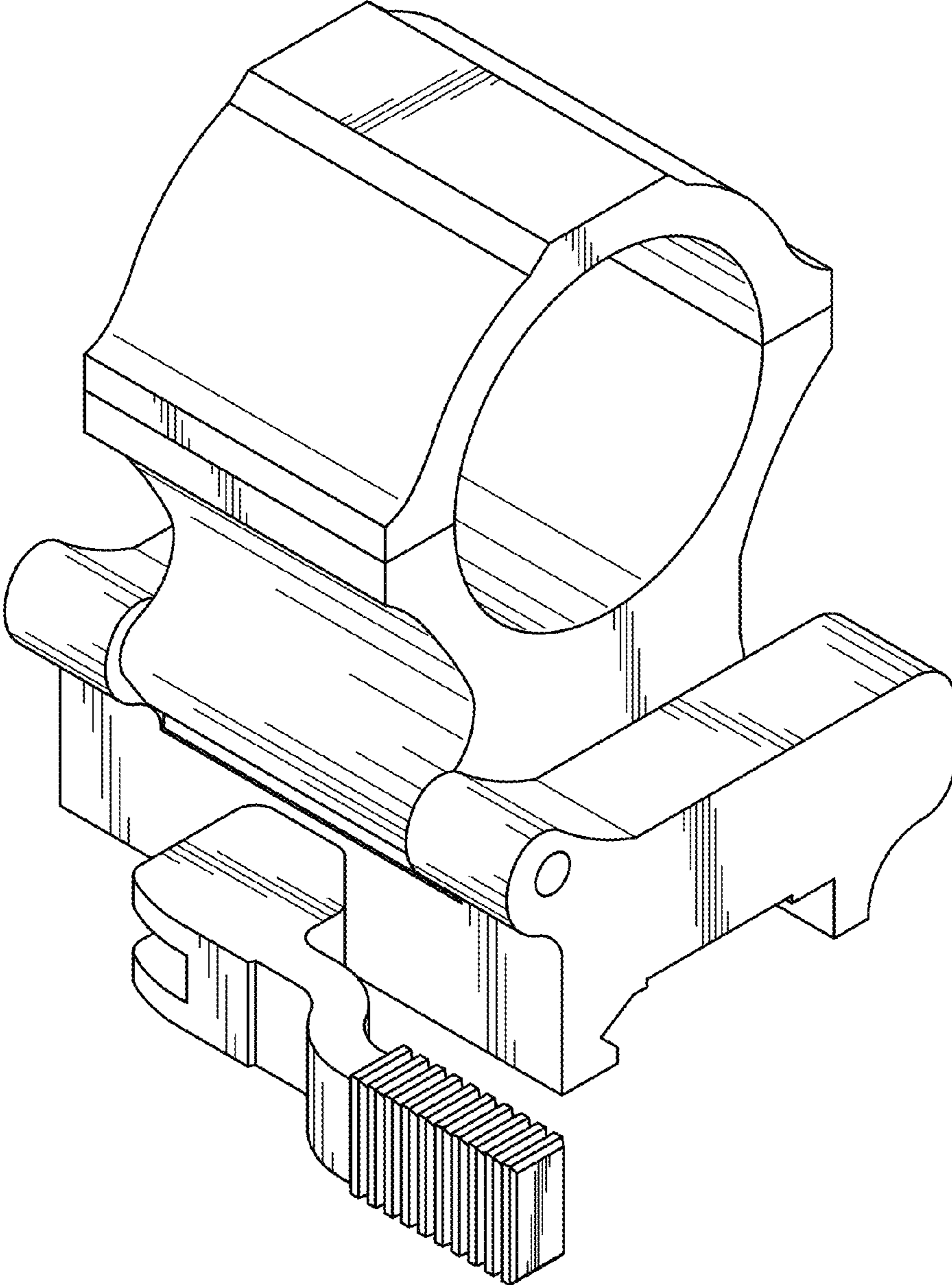


Fig. 1

Fig. 2

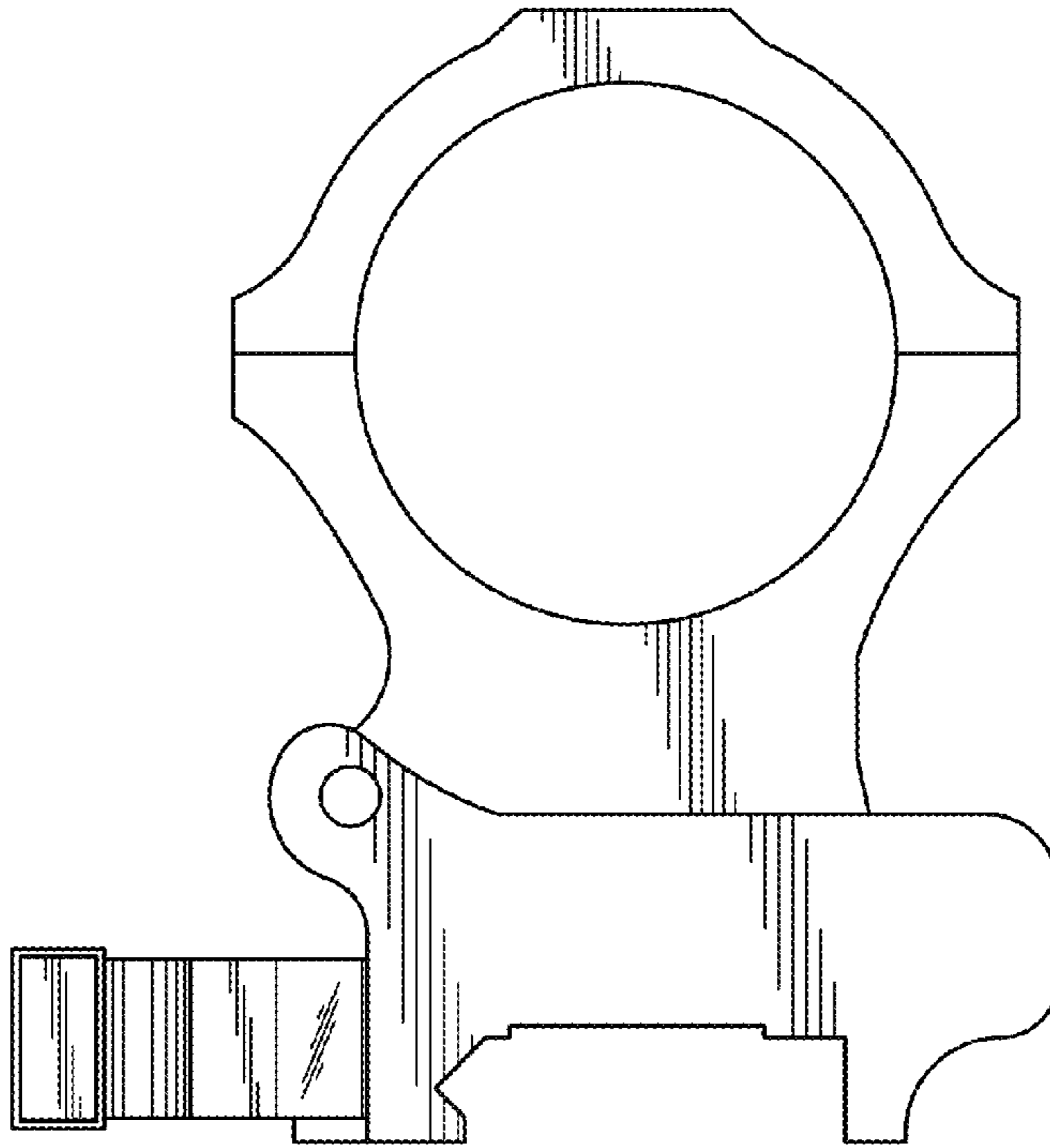
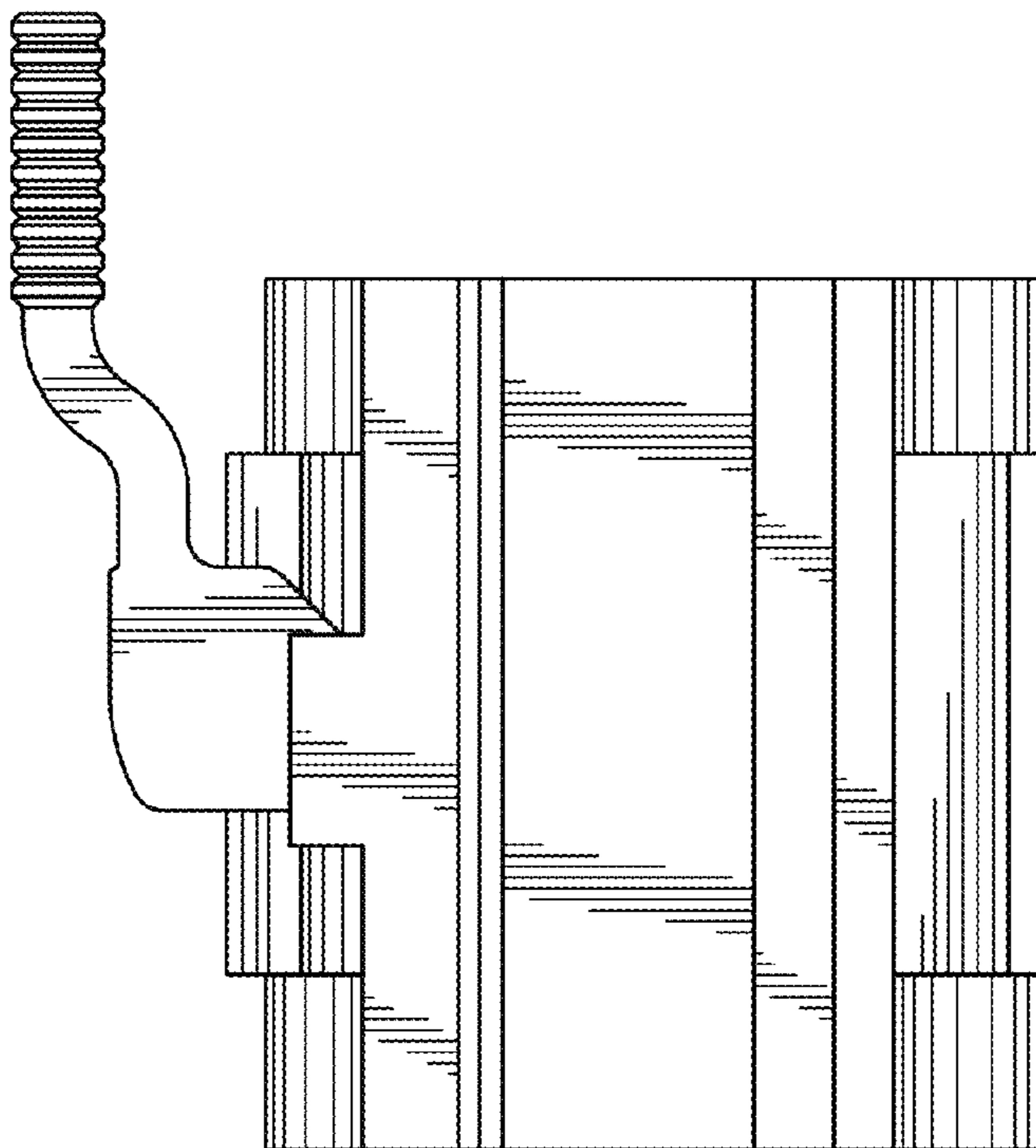


Fig. 3



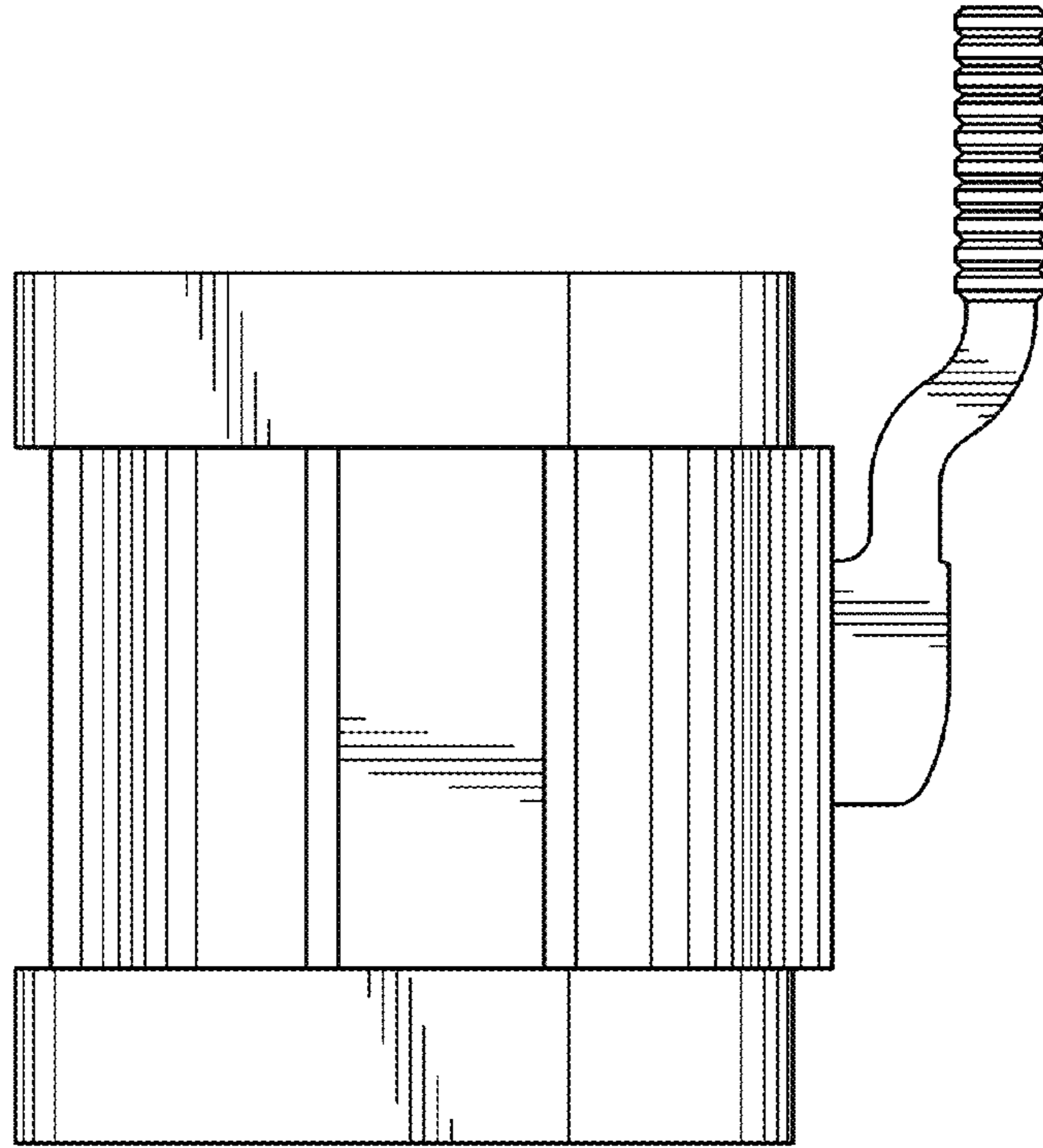


Fig. 4

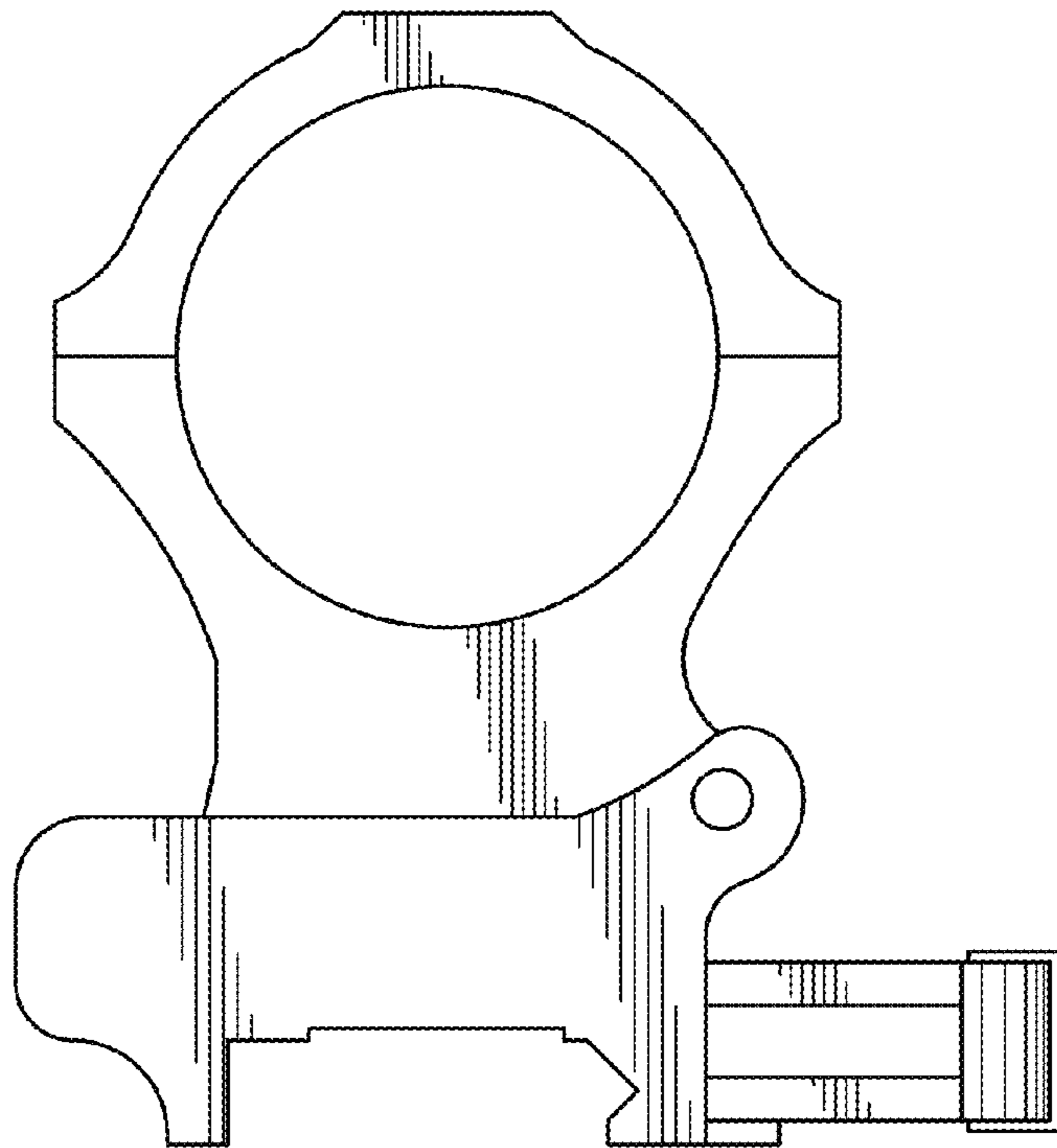


Fig. 5

Fig. 6

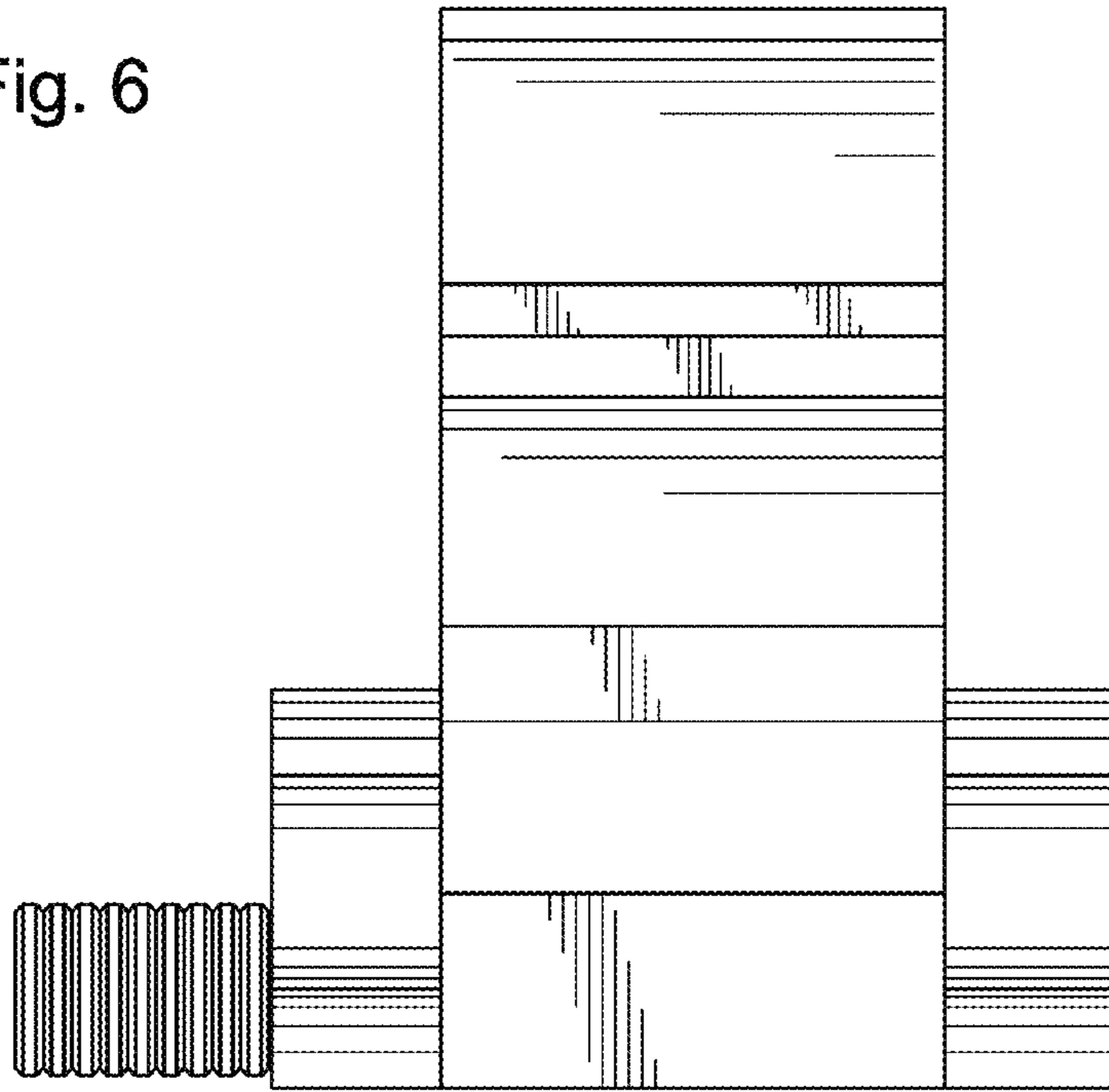


Fig. 7

