



US00D681766S

(12) **United States Design Patent**
Moore

(10) **Patent No.:** **US D681,766 S**

(45) **Date of Patent:** **** May 7, 2013**

(54) **RIFLE HOLDING TOOL**

(75) Inventor: **Jonathan A. Moore**, San Antonio, TX
(US)

(73) Assignee: **The United States of America as
Represented by the Director, National
Security Agency**, Washington, DC (US)

(**) Term: **14 Years**

(21) Appl. No.: **29/395,188**

(22) Filed: **Dec. 7, 2011**

(51) **LOC (9) Cl.** **22-01**

(52) **U.S. Cl.**
USPC **D22/108**

(58) **Field of Classification Search** D22/108,
D22/199; 42/90-95; 15/104.16, 104.165;
D8/14-16, 51, 71-72, 80, 83, 88, 89
See application file for complete search history.

(56) **References Cited**

U.S. PATENT DOCUMENTS

4,696,461 A 9/1987 Zelinski
5,682,700 A 11/1997 Sandberg

7,886,474 B2 2/2011 Werner
8,316,572 B2 * 11/2012 Saunders, III 42/94
2007/0170128 A1 * 7/2007 Punzel 211/64
2009/0159540 A1 * 6/2009 Meeks 211/64

* cited by examiner

Primary Examiner — Michael A Pratt

(74) *Attorney, Agent, or Firm* — Robert D. Morelli

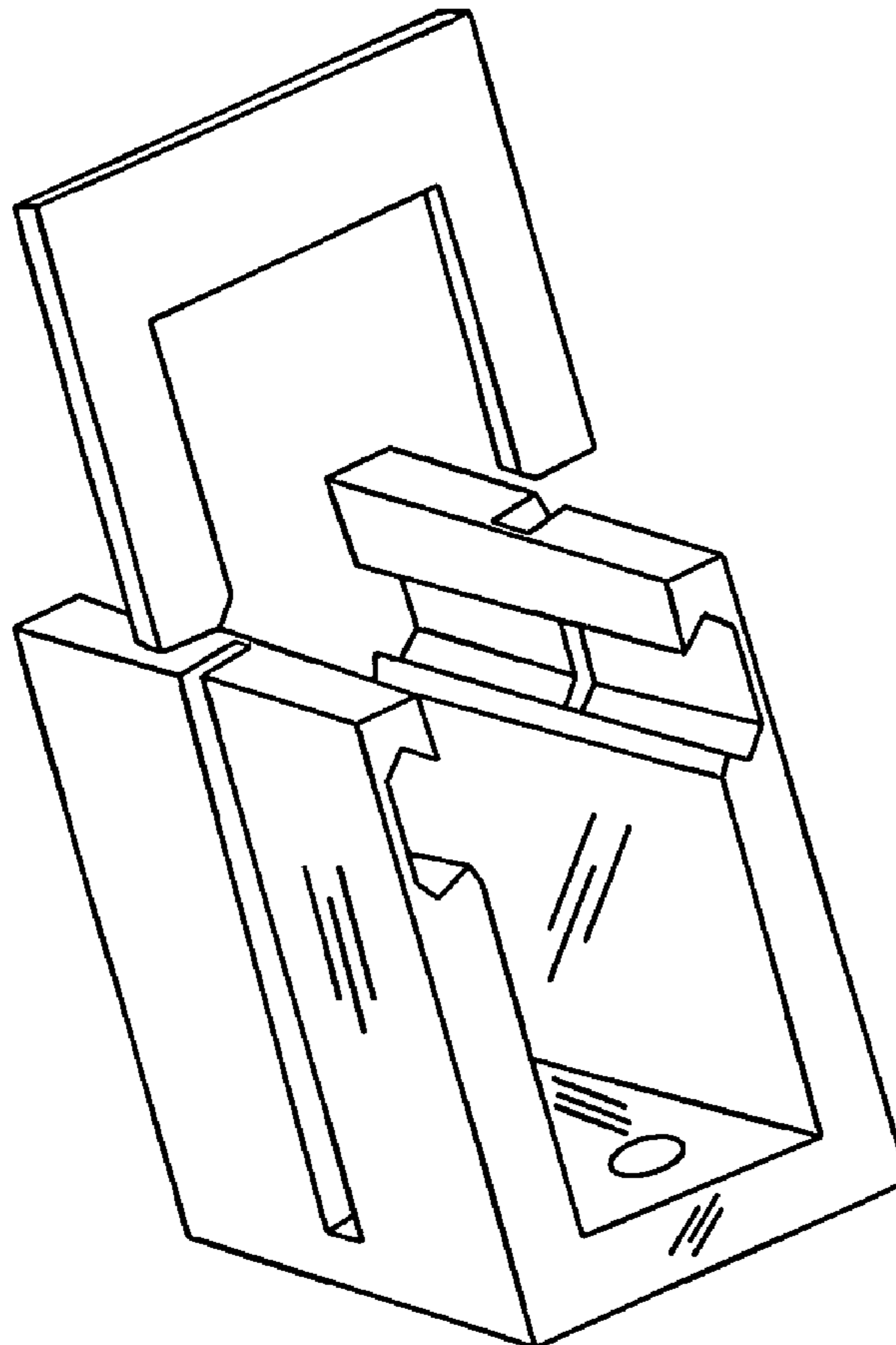
(57) **CLAIM**

The ornamental design for a rifle holding tool, as shown in the figures.

DESCRIPTION

FIG. 1 is a perspective view of a rifle holding tool showing my new design;
FIG. 2 is a front plan view thereof;
FIG. 3 is a back plan view thereof;
FIG. 4 is a top view thereof;
FIG. 5 is a bottom view thereof;
FIG. 6 is a left side view thereof; and,
FIG. 7 is a right side view thereof.
The broken line showing of portions of the rifle holding tool is included for the purpose of illustrating environment and forms no part of the claimed design.

1 Claim, 7 Drawing Sheets



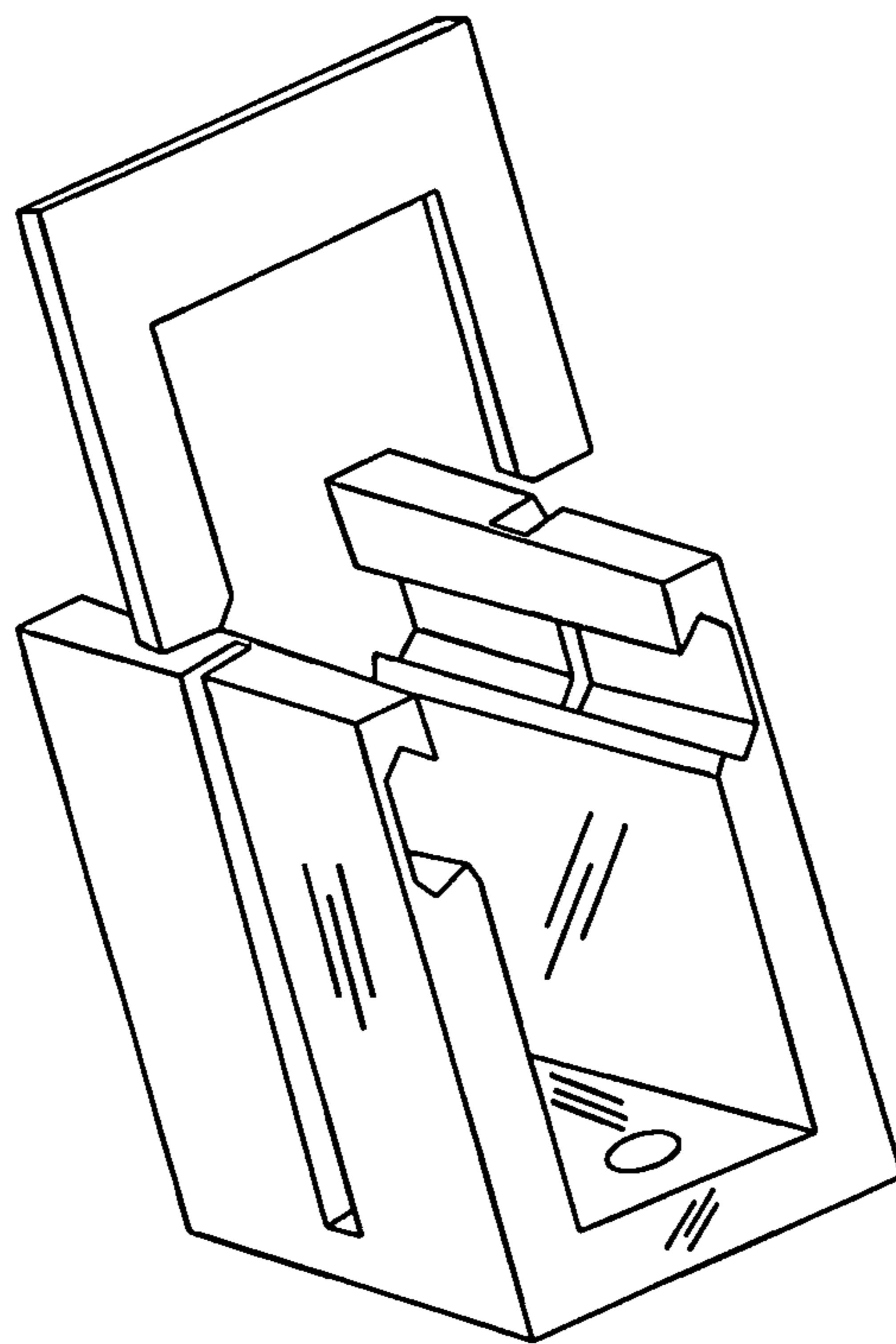


FIG. 1

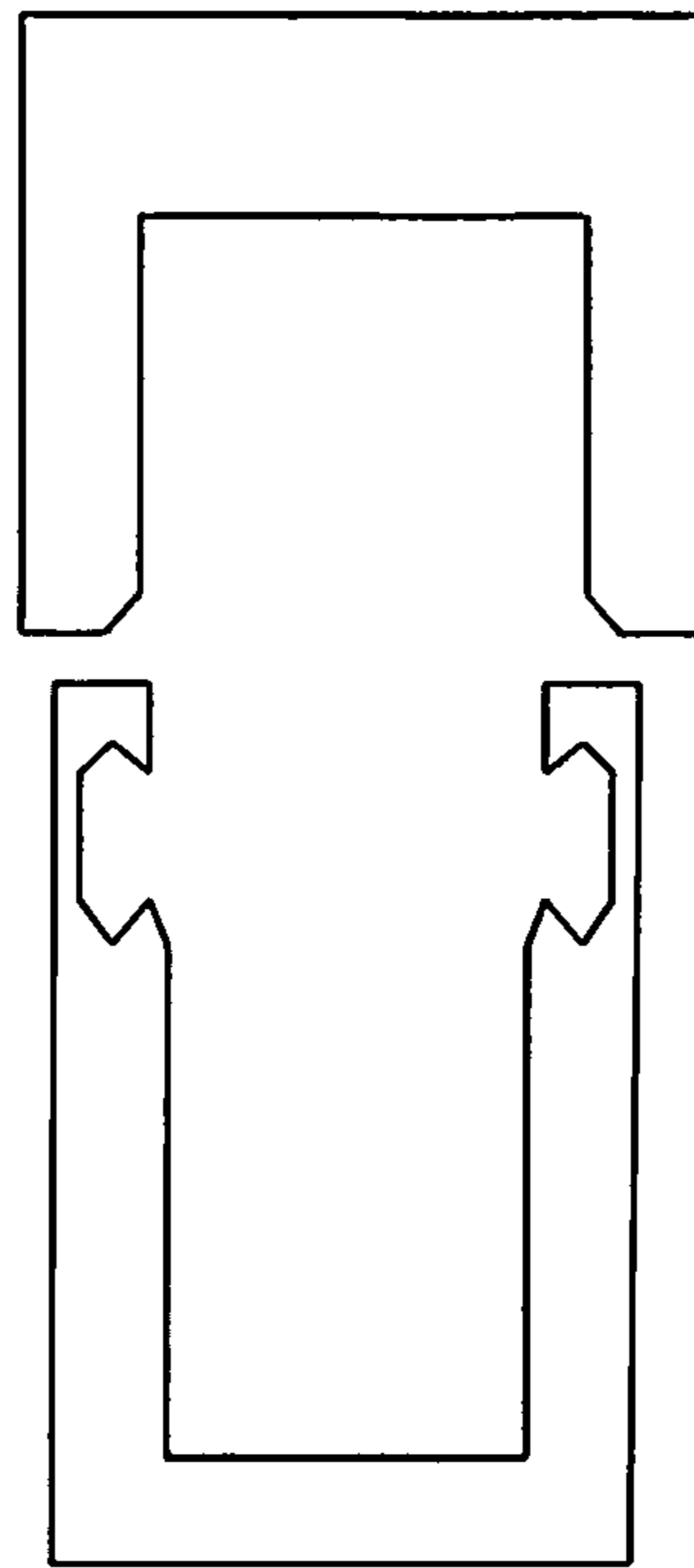


FIG. 2

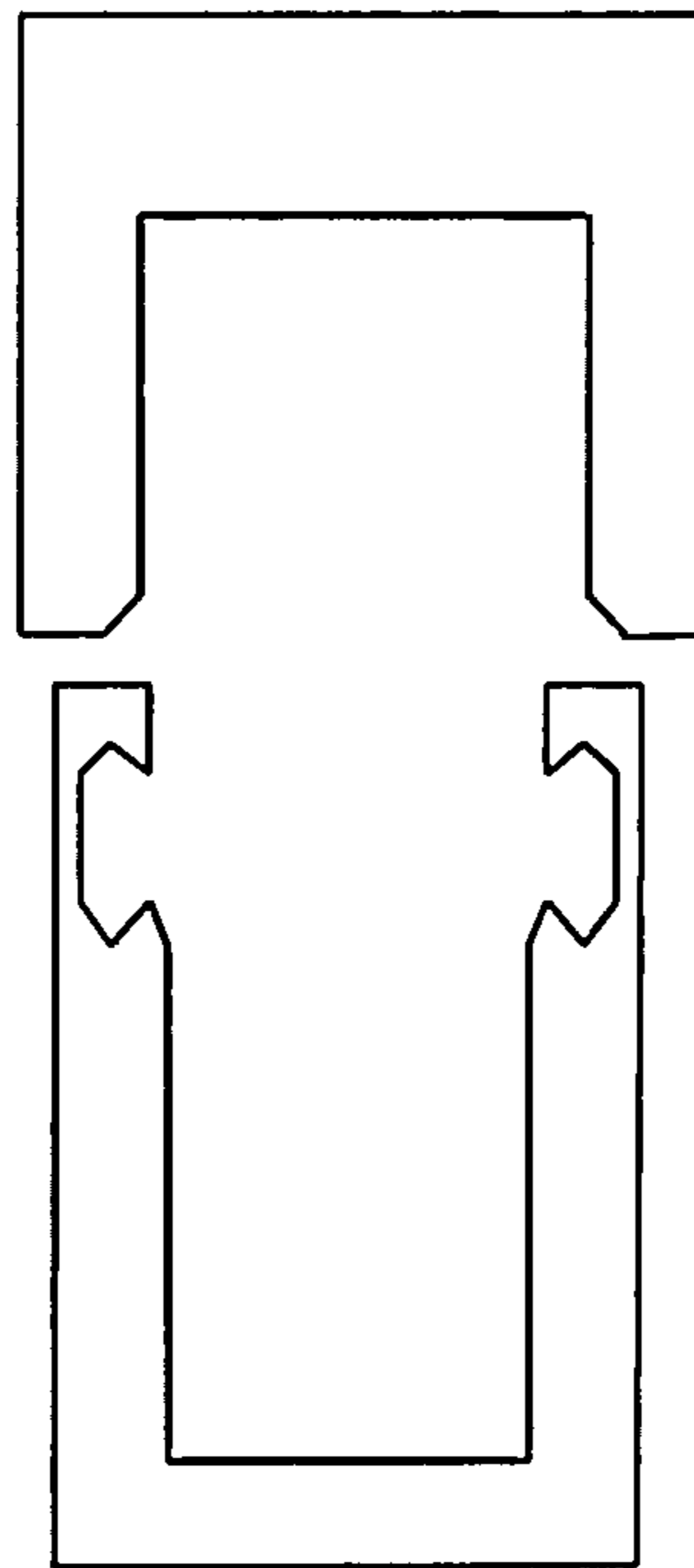


FIG. 3

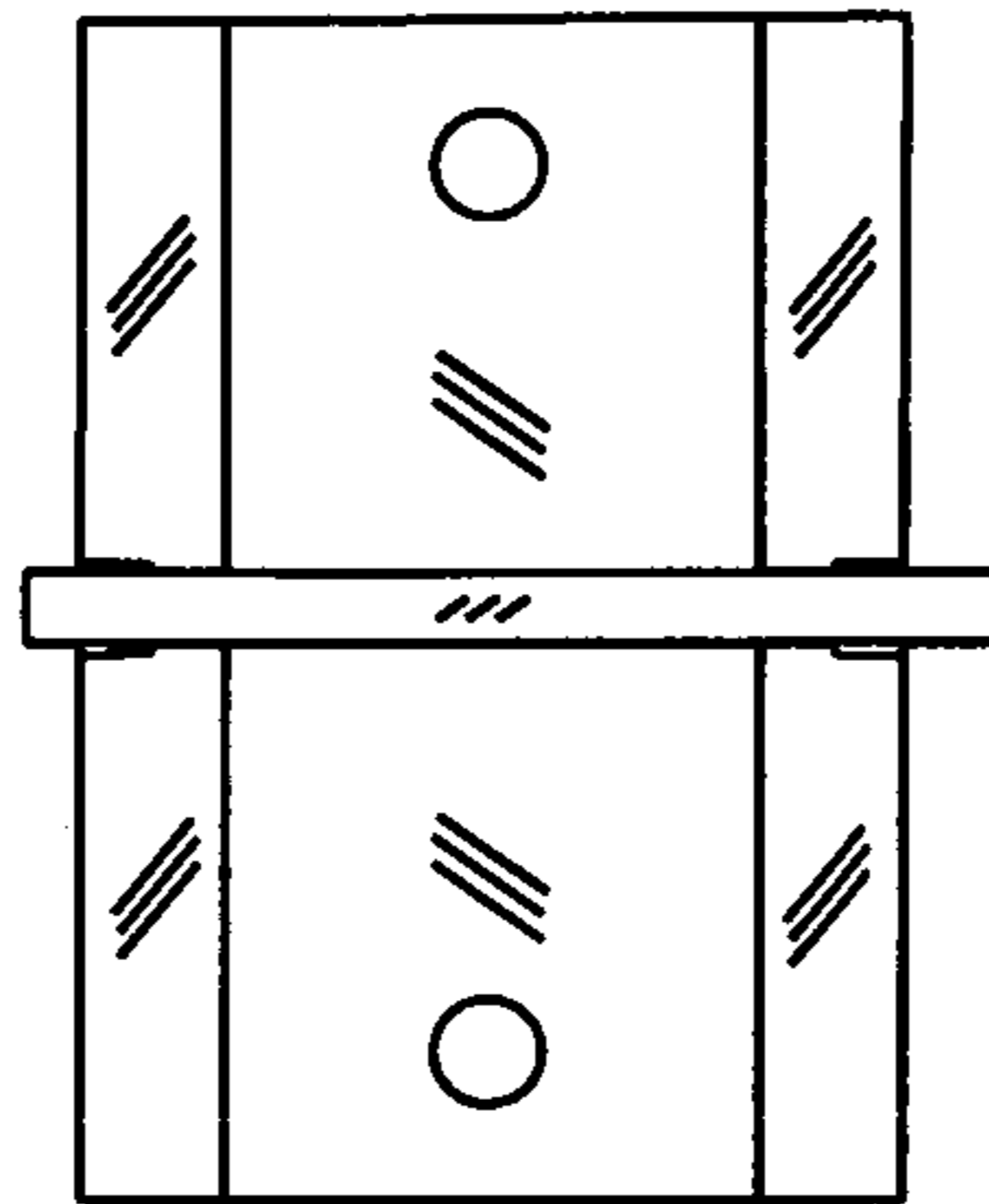


FIG. 4

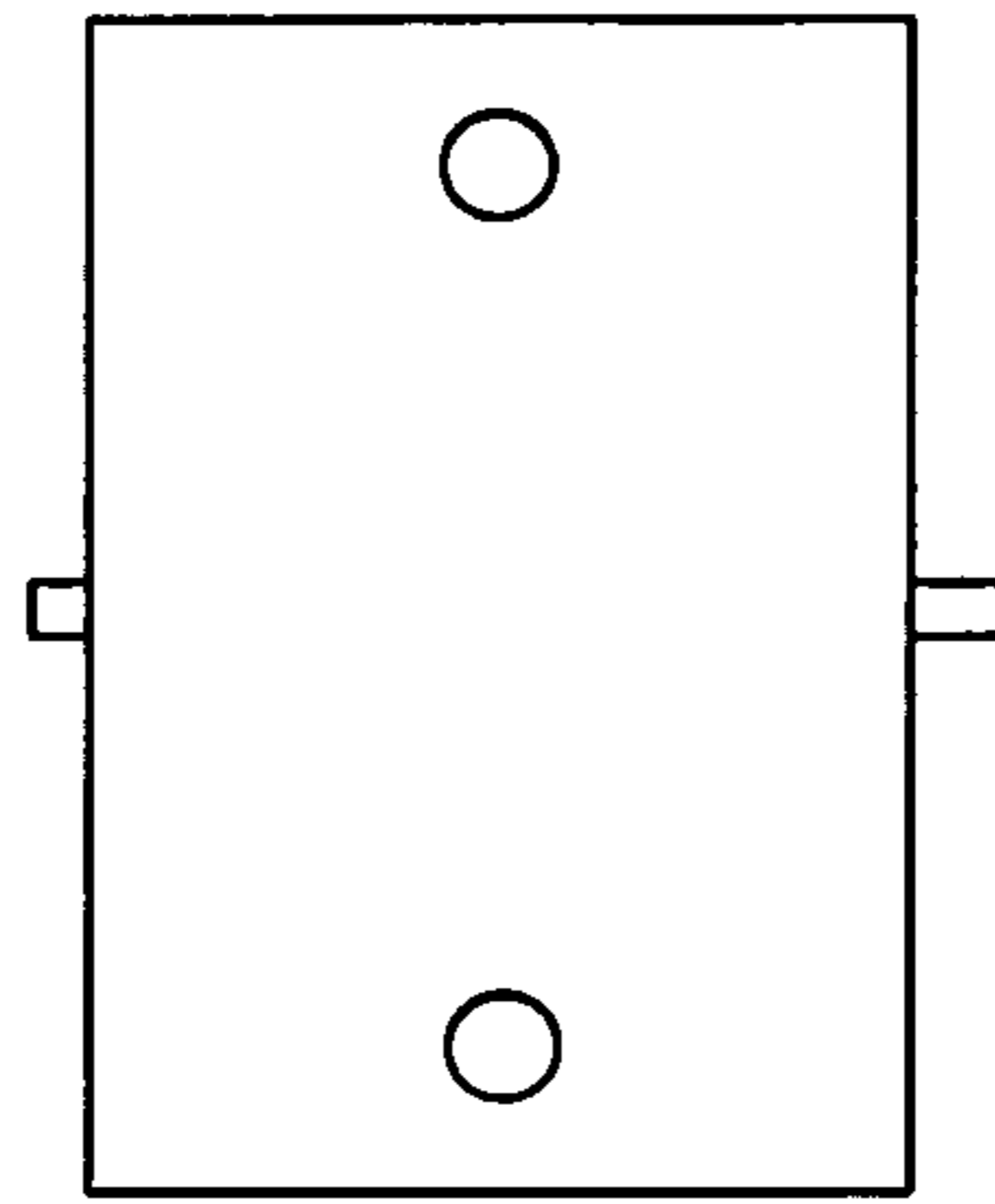


FIG. 5

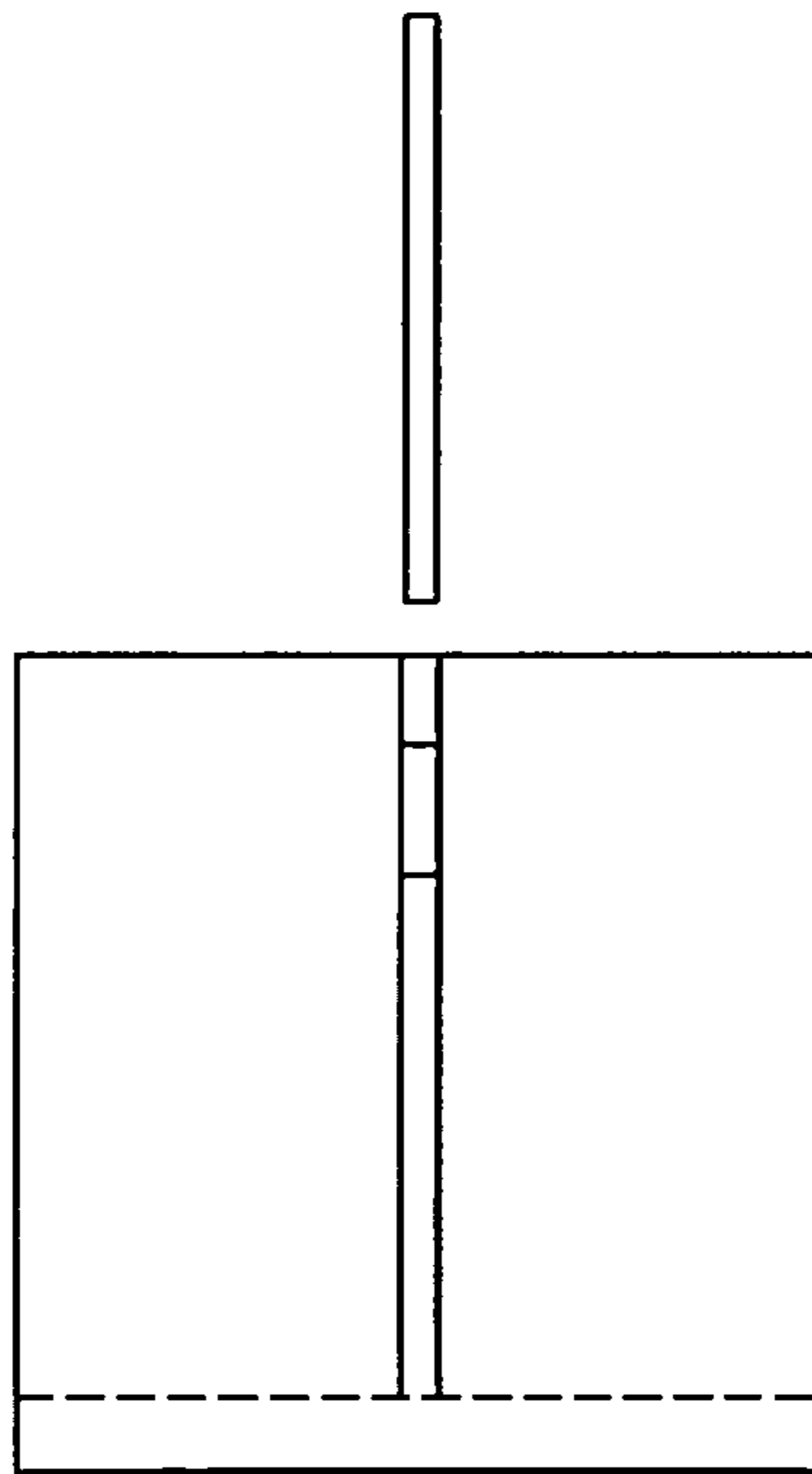


FIG. 6

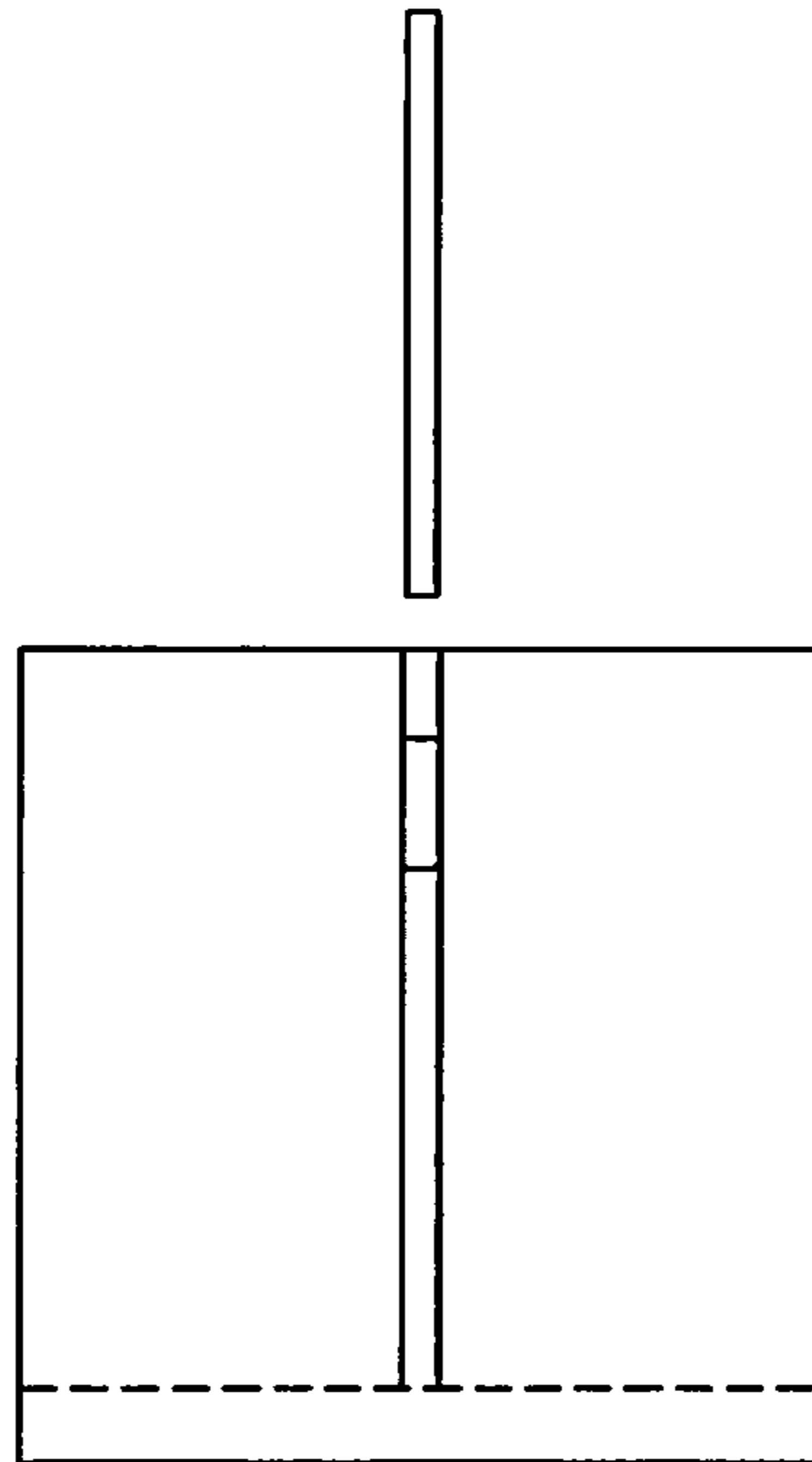


FIG. 7