



US00D681765S

(12) **United States Design Patent**
Kayser

(10) **Patent No.:** **US D681,765 S**
(45) **Date of Patent:** **** May 7, 2013**

- (54) **CANOPY**
- (75) Inventor: **Matt Kayser**, Highlands Ranch, CO
(US)
- (73) Assignee: **KD Kanopy, Inc.**, Westminster, CO
(US)
- (**) Term: **14 Years**
- (21) Appl. No.: **29/416,816**
- (22) Filed: **Mar. 27, 2012**
- (51) **LOC (9) Cl.** **21-01**
- (52) **U.S. Cl.**
USPC **D21/837**
- (58) **Field of Classification Search** D21/536,
D21/834, 837, 838, 839; D25/1, 56; D12/401;
135/87, 90, 96, 97, 98, 115, 117, 124, 126,
135/127, 130, 131, 132, 137, 140, 141, 145,
135/147, 154
See application file for complete search history.

5,638,853	A *	6/1997	Tsai	135/145
5,701,923	A *	12/1997	Losi et al.	135/131
D403,782	S *	1/1999	James	D25/61
D438,589	S *	3/2001	Brown	D21/837
D470,560	S *	2/2003	Han	D21/837
6,591,849	B1 *	7/2003	Swedish et al.	135/140
6,981,510	B2 *	1/2006	Carter	135/145
7,044,146	B2 *	5/2006	Losi, Jr.	135/145
7,311,113	B2 *	12/2007	Suh	135/145
7,703,469	B2 *	4/2010	Danziger	135/147
2002/0170588	A1 *	11/2002	Seo	135/90
2005/0194029	A1 *	9/2005	Goldwitz	135/98

* cited by examiner

Primary Examiner — Cynthia M Chin

(74) *Attorney, Agent, or Firm* — Holland & Hart LLP

(57) **CLAIM**

The ornamental design for a canopy, as shown and described.

DESCRIPTION

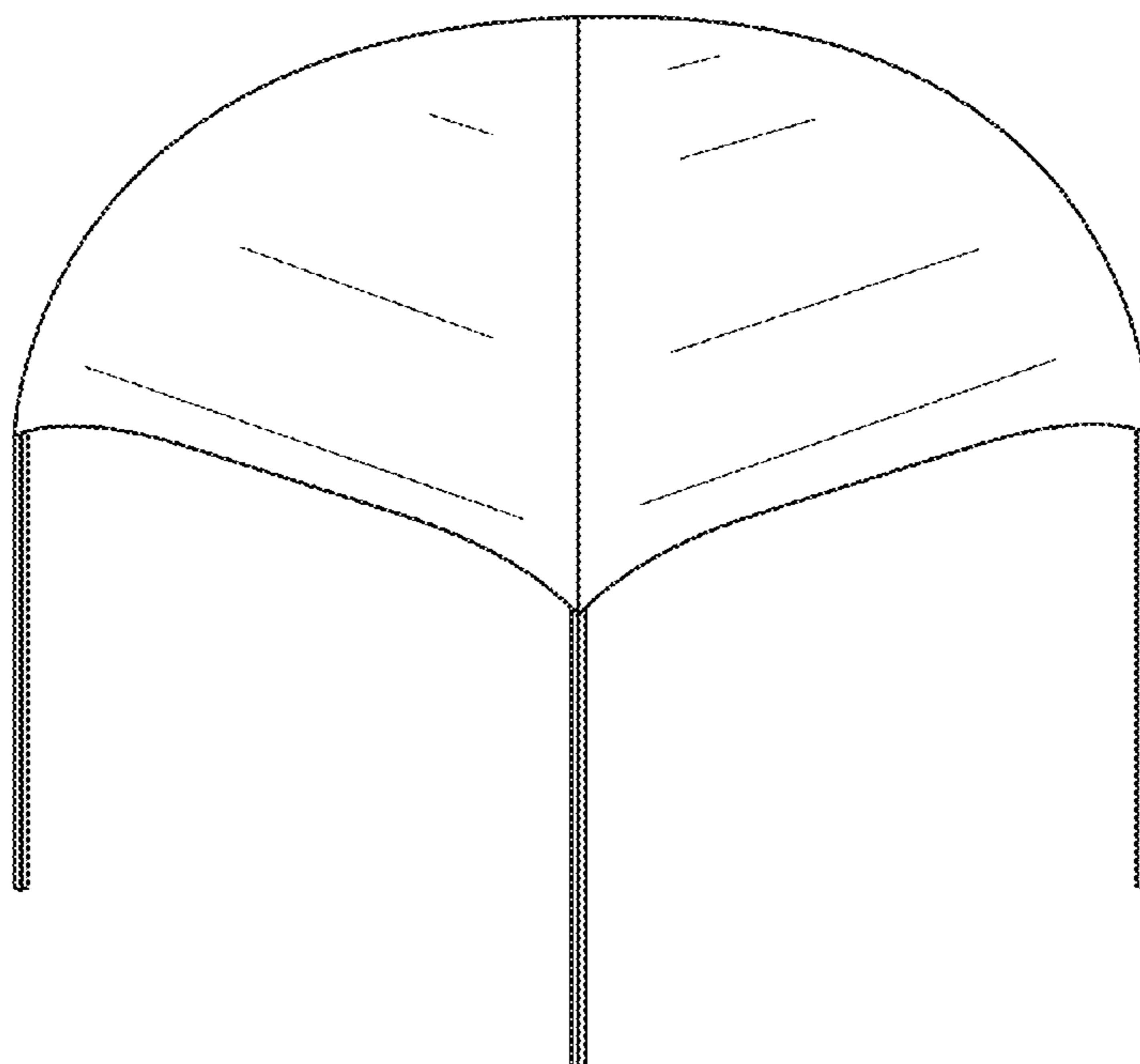
FIG. 1 is a perspective view of a canopy showing my new design;
 FIG. 2 is a front side view of the canopy shown in FIG. 1;
 FIG. 3 is a right side view of the canopy shown in FIG. 1;
 FIG. 4 is a top view of the canopy shown in FIG. 1;
 FIG. 5 is a left side view of the canopy shown in FIG. 1;
 FIG. 6 is a back side view of the canopy shown in FIG. 1; and,
 FIG. 7 is a bottom view of the canopy shown in FIG. 1.
 The broken lines in FIG. 7 represent portions of the article that form no part of the claim.

1 Claim, 2 Drawing Sheets

(56) **References Cited**

U.S. PATENT DOCUMENTS

2,027,984	A *	1/1936	Kapp	135/154
4,941,500	A *	7/1990	Emard	135/141
5,000,211	A *	3/1991	Speare et al.	135/97
5,038,812	A *	8/1991	Norman	135/126
D324,898	S *	3/1992	Andersen	D21/837
5,224,507	A *	7/1993	Vosse	135/138
5,274,980	A *	1/1994	Zeigler	52/646
D361,363	S *	8/1995	Sandberg et al.	D21/837
D365,884	S *	1/1996	Dennis	D25/56



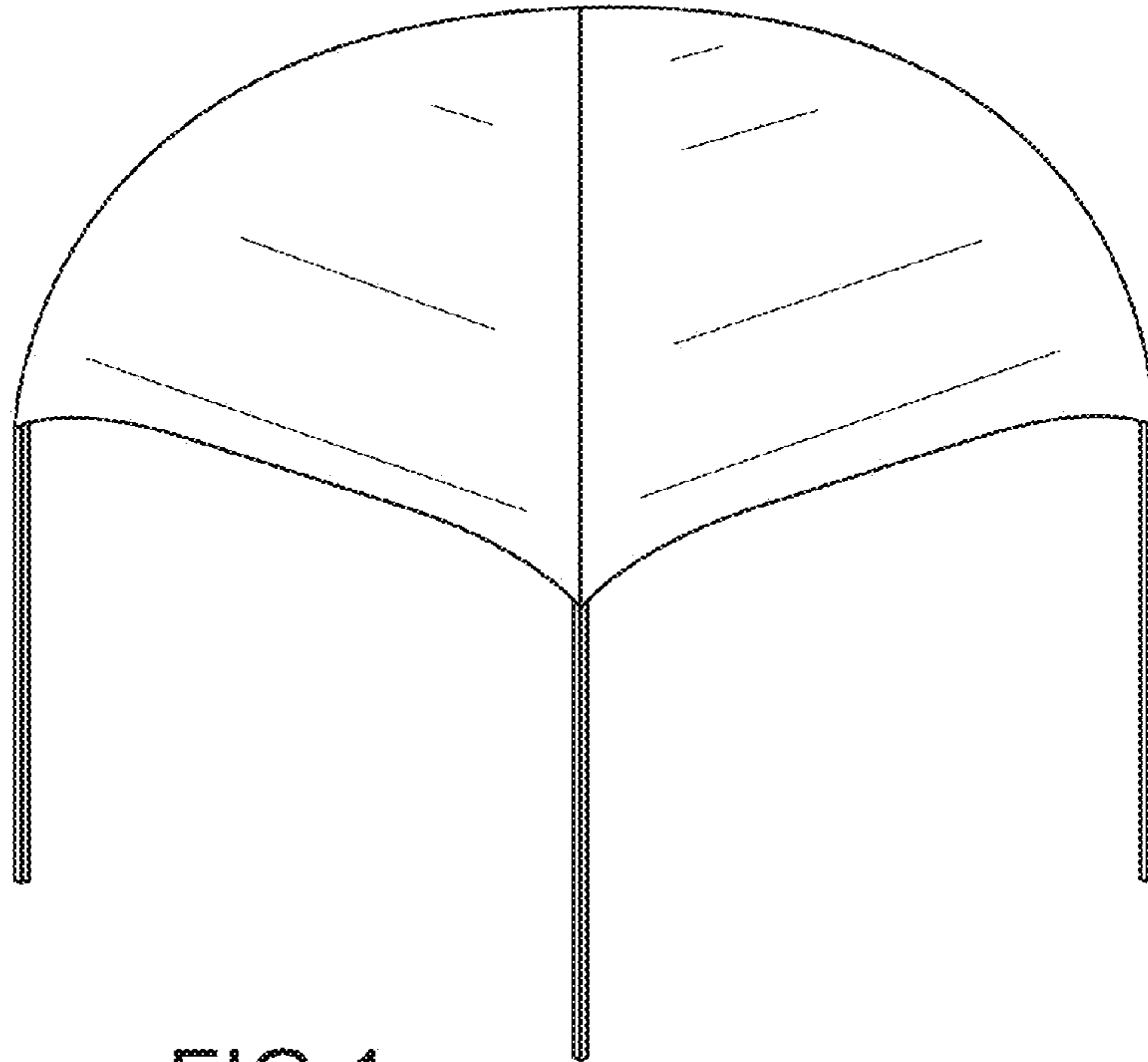


FIG. 1

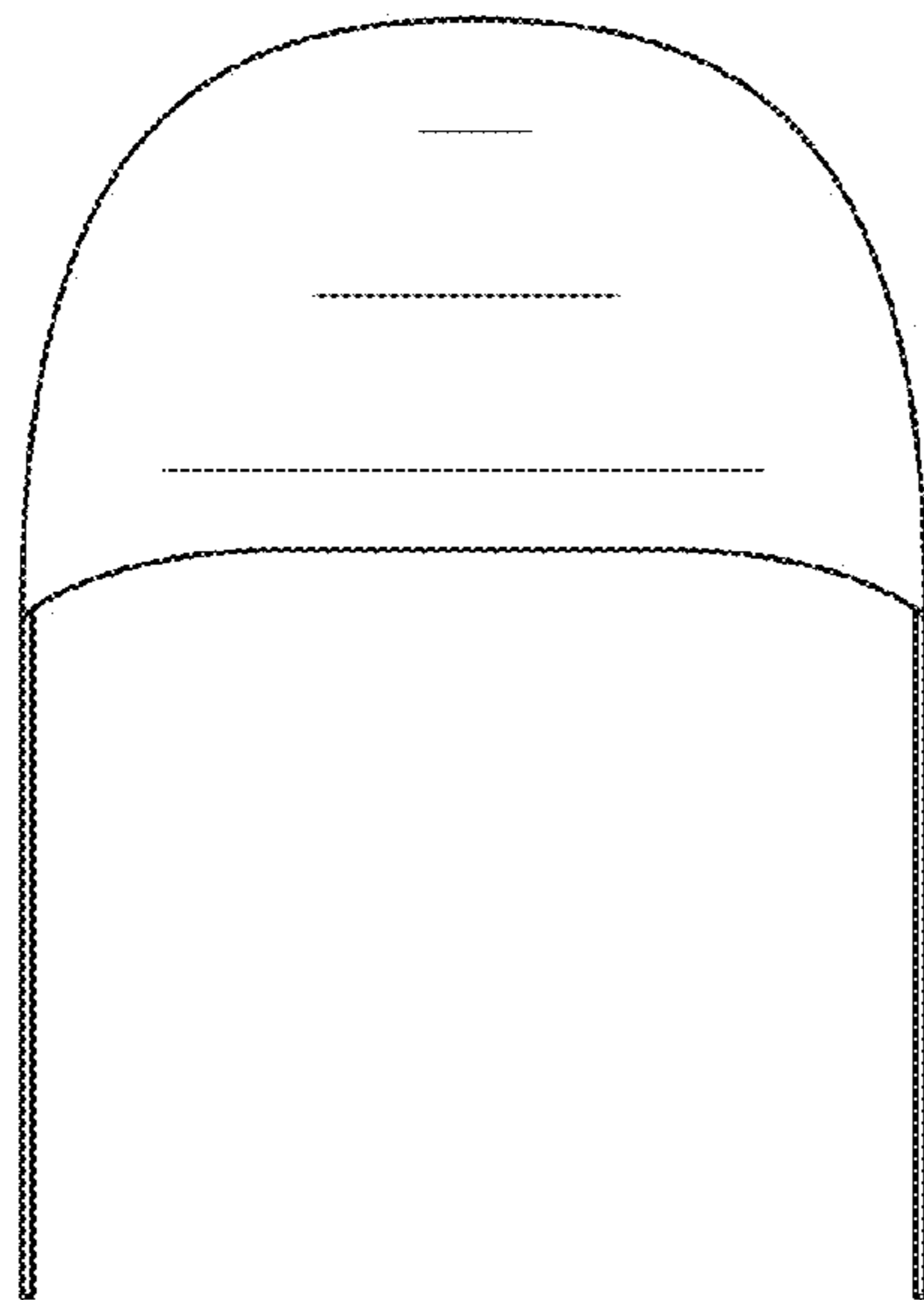


FIG. 2

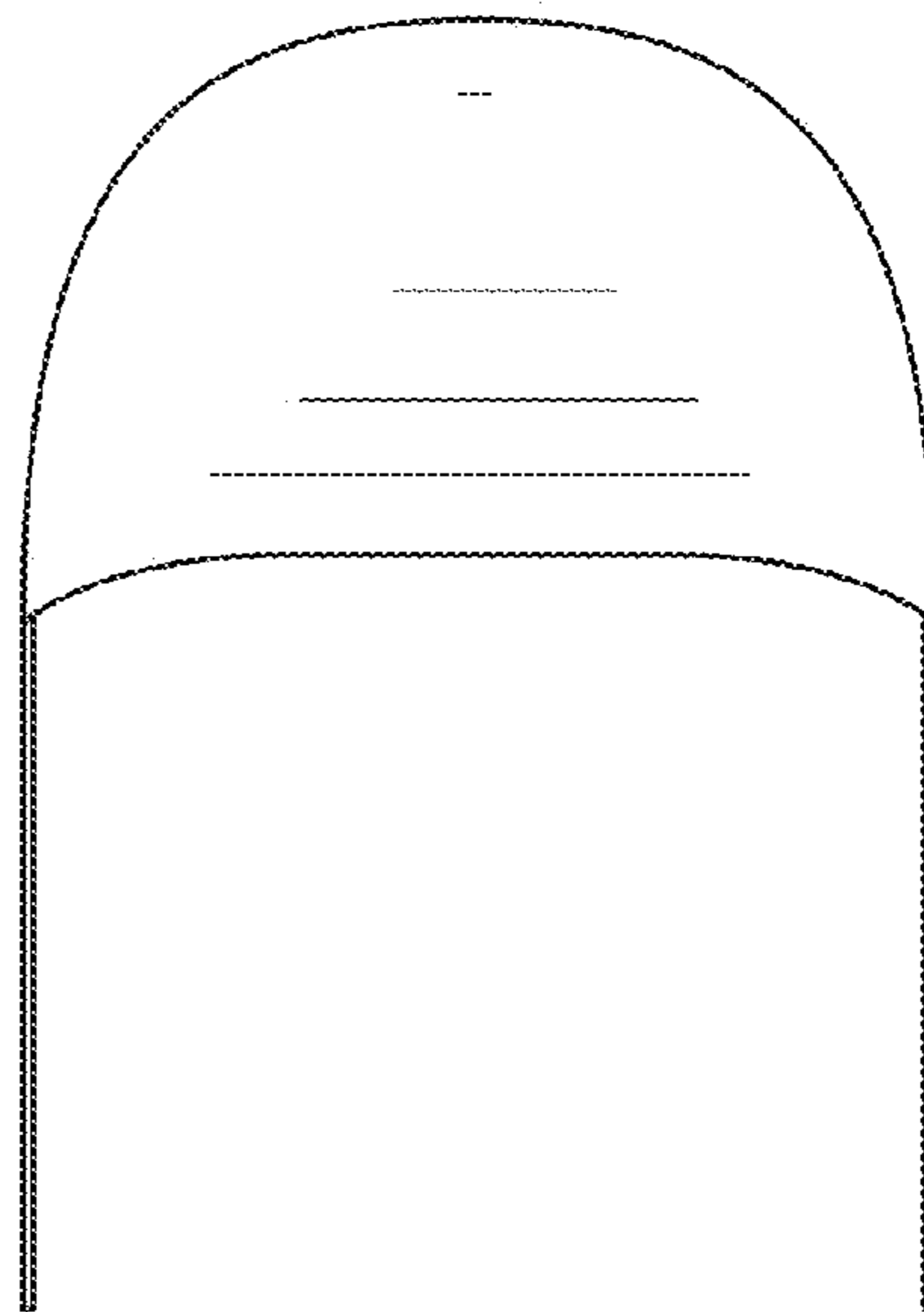


FIG. 3

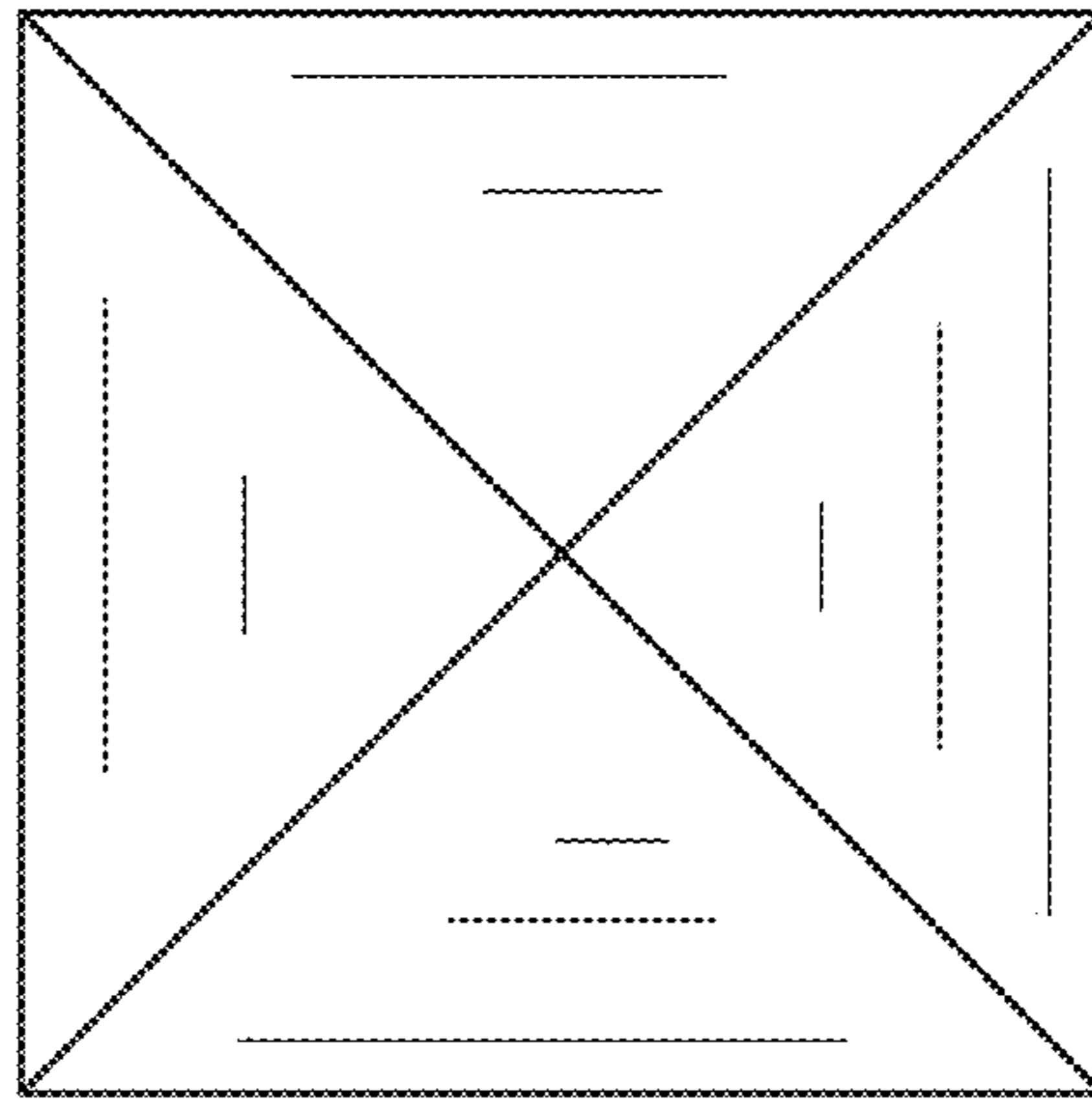


FIG. 4

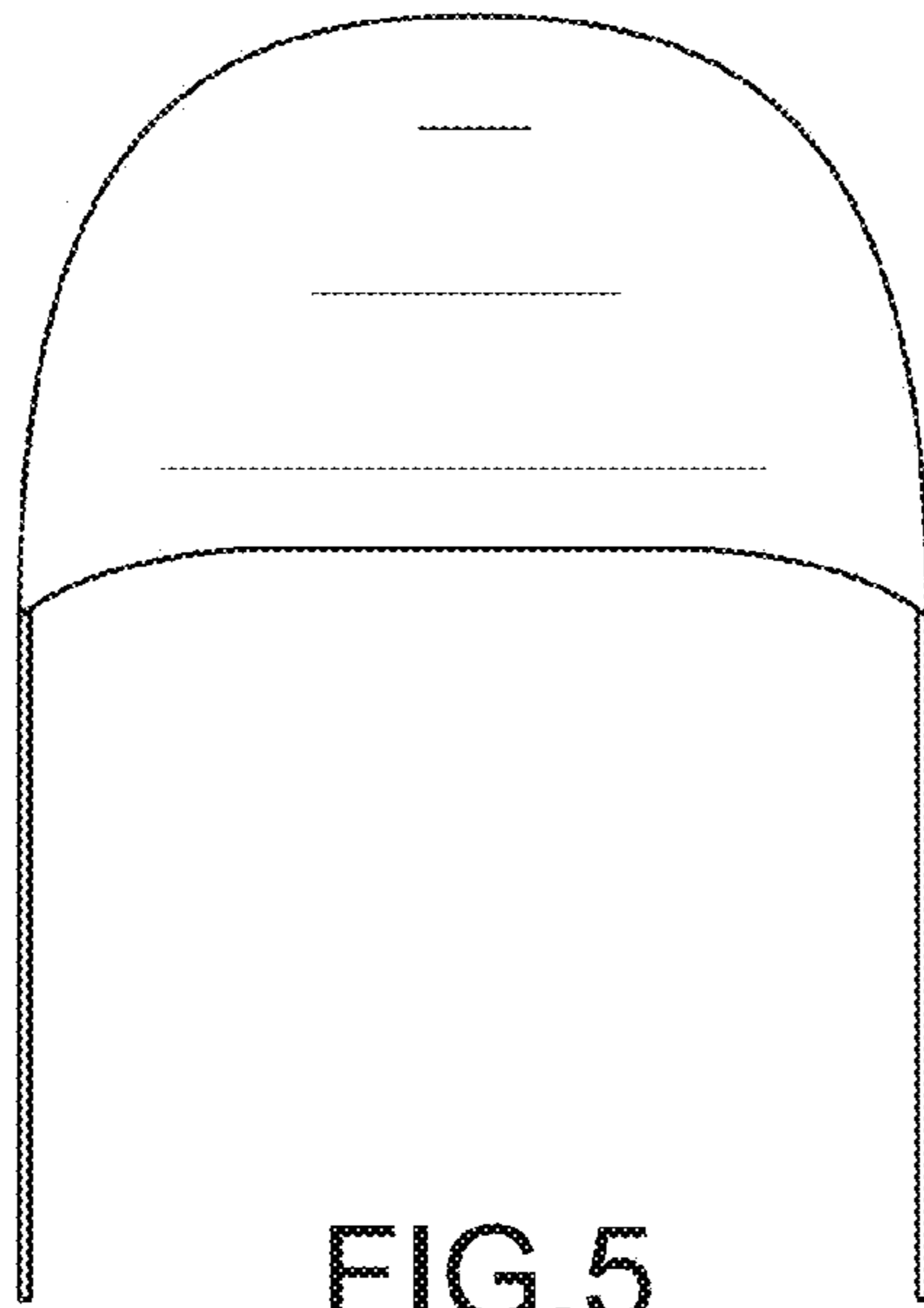


FIG. 5

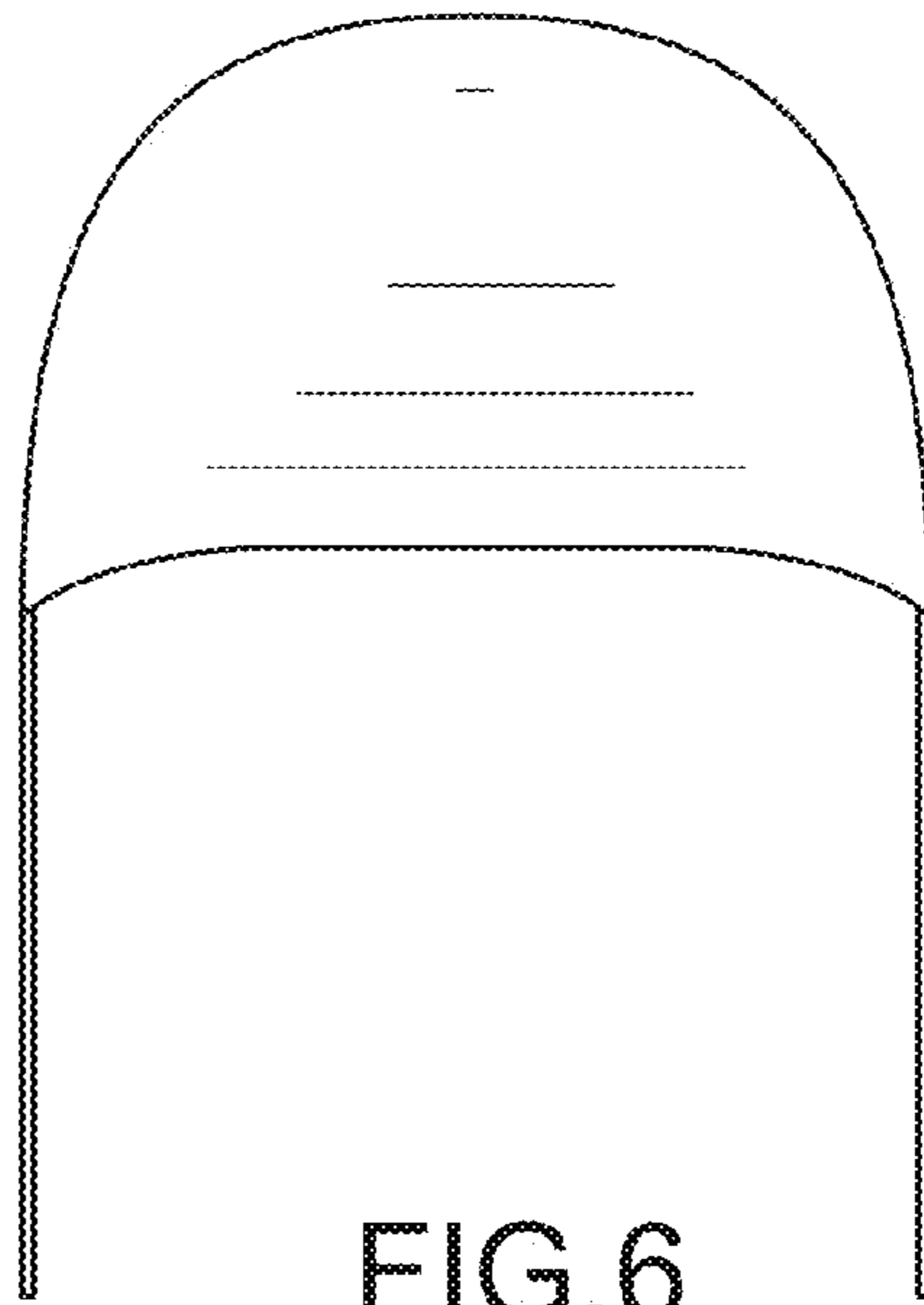


FIG. 6

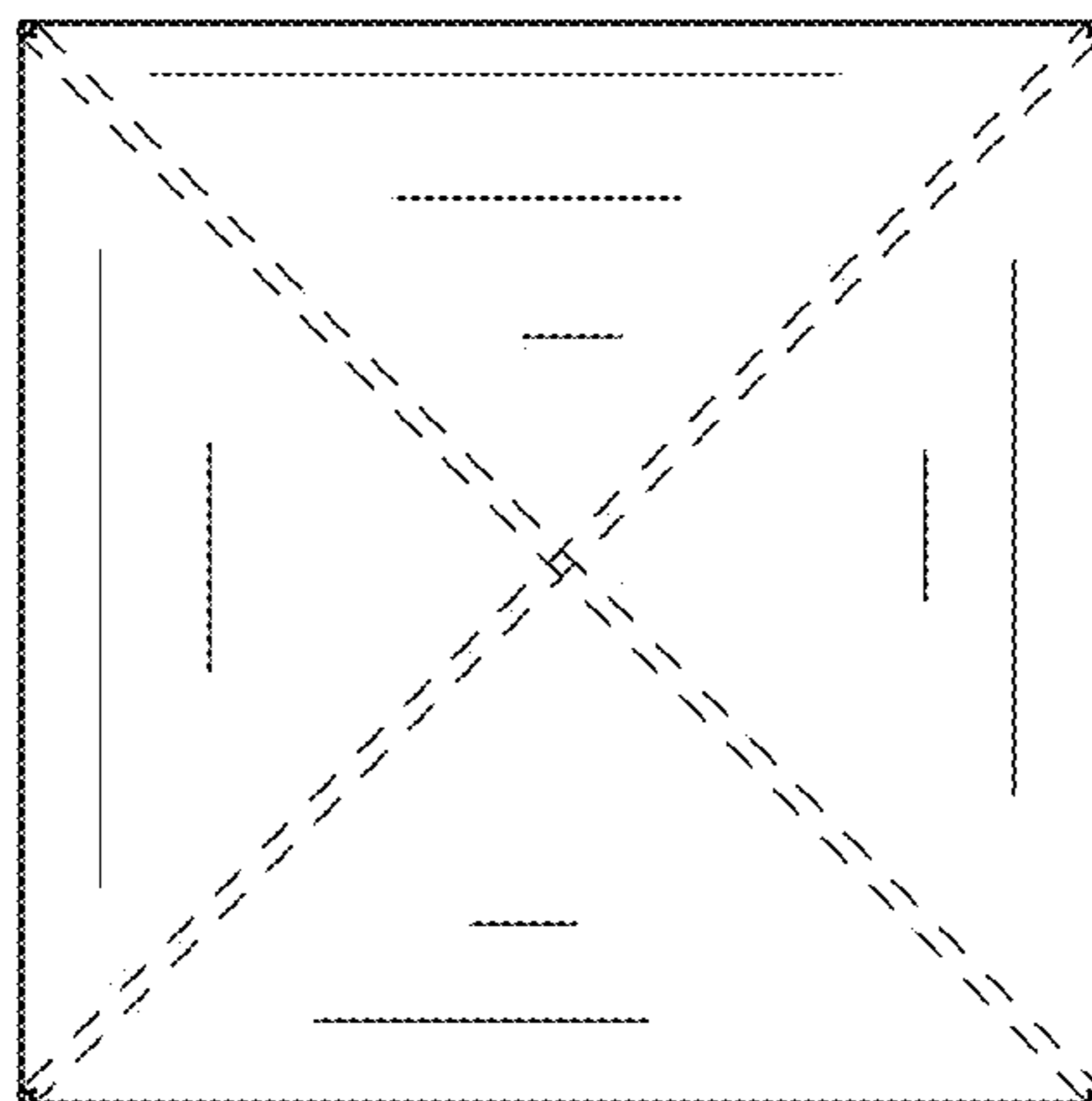


FIG. 7